



US00D479503S

(12) **United States Design Patent**  
**Robinson**

(10) **Patent No.:** **US D479,503 S**

(45) **Date of Patent:** **\*\* Sep. 9, 2003**

(54) **CAR ORGANIZER FOR WIRELESS ACCESSORIES**

(76) **Inventor:** **Corey M. Robinson**, 12972 S. Hagan St., Olathe, KS (US) 66062

(\*\*) **Term:** **14 Years**

(21) **Appl. No.:** **29/175,077**

(22) **Filed:** **Jan. 29, 2003**

(51) **LOC (7) Cl.** ..... **12-16**

(52) **U.S. Cl.** ..... **D12/417**

(58) **Field of Search** ..... D12/191, 417;  
D3/215, 226, 247-249, 252-253; D6/620-635;  
296/97.1-97.9, 97.11; 224/311-312, 275;  
D14/69, 138-144, 239

(56) **References Cited**

**U.S. PATENT DOCUMENTS**

D182,453 S	*	4/1958	Chase	.....	D12/191
D190,479 S	*	6/1961	Wax	.....	D12/417
3,016,262 A	*	1/1962	Hunt	.....	D12/417 X
D208,253 S	*	8/1967	Standard	.....	D12/417
D248,847 S	*	8/1978	Wooters	.....	D12/191
D265,083 S	*	6/1982	Divoky	.....	D12/191
D272,059 S	*	1/1984	Bell et al.	.....	D12/191
D386,467 S	*	11/1997	Alves et al.	.....	D12/417
D391,919 S	*	3/1998	Brassard	.....	D12/417
D402,624 S	*	12/1998	Patterson	.....	D12/417

D413,299 S	*	8/1999	Hartmann et al.	.....	D12/417
D435,511 S	*	12/2000	Eskandry	.....	D12/417
D446,765 S	*	8/2001	Bergh et al.	.....	D12/417
D457,852 S	*	5/2002	Richter	.....	D12/417
D466,061 S	*	11/2002	Samora, Jr.	.....	D12/191

\* cited by examiner

*Primary Examiner*—Stacia Cadmus

(74) *Attorney, Agent, or Firm*—Richard K. Robinson

(57) **CLAIM**

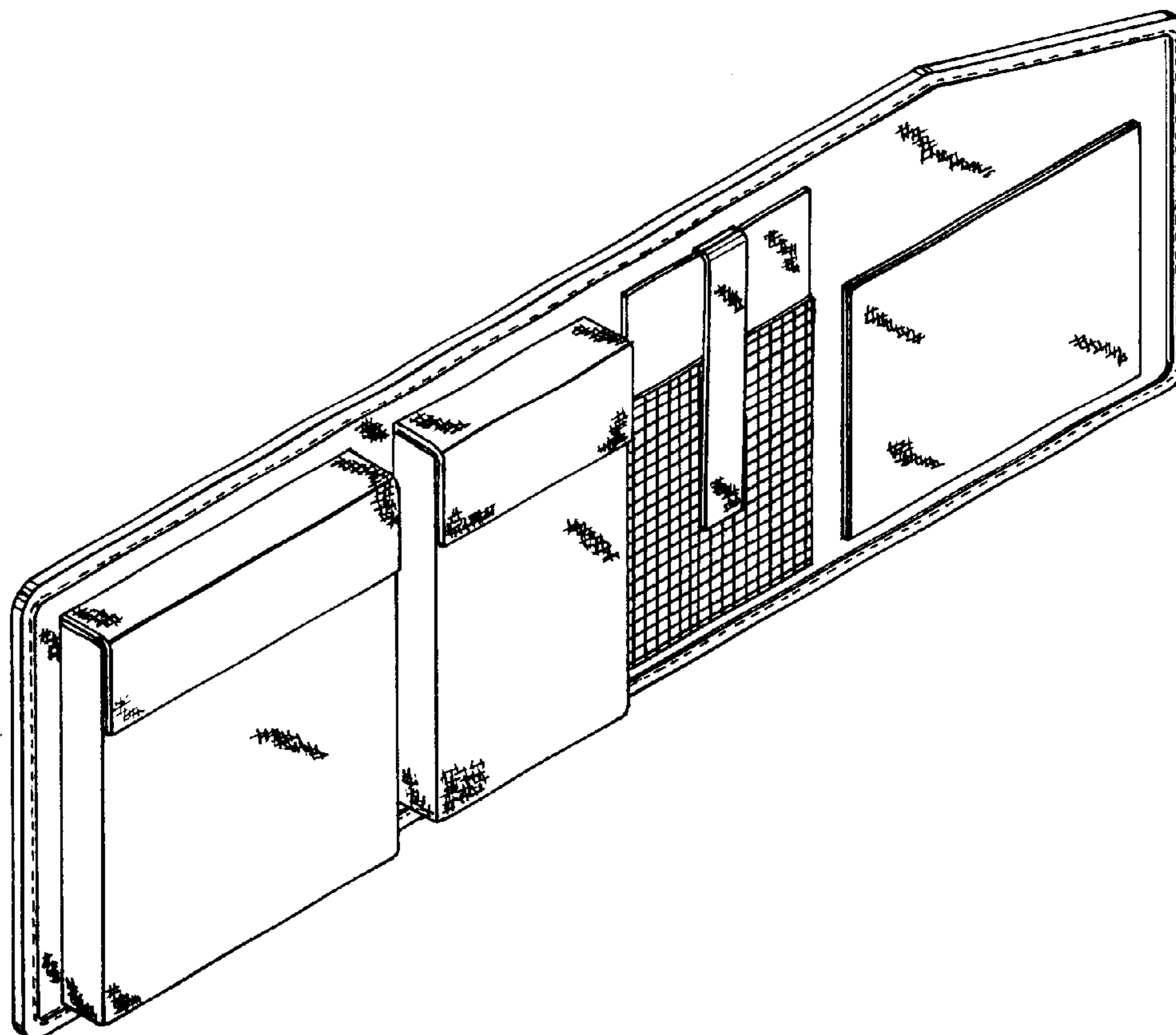
An ornamental design of a car organizer for wireless accessories, as shown and described.

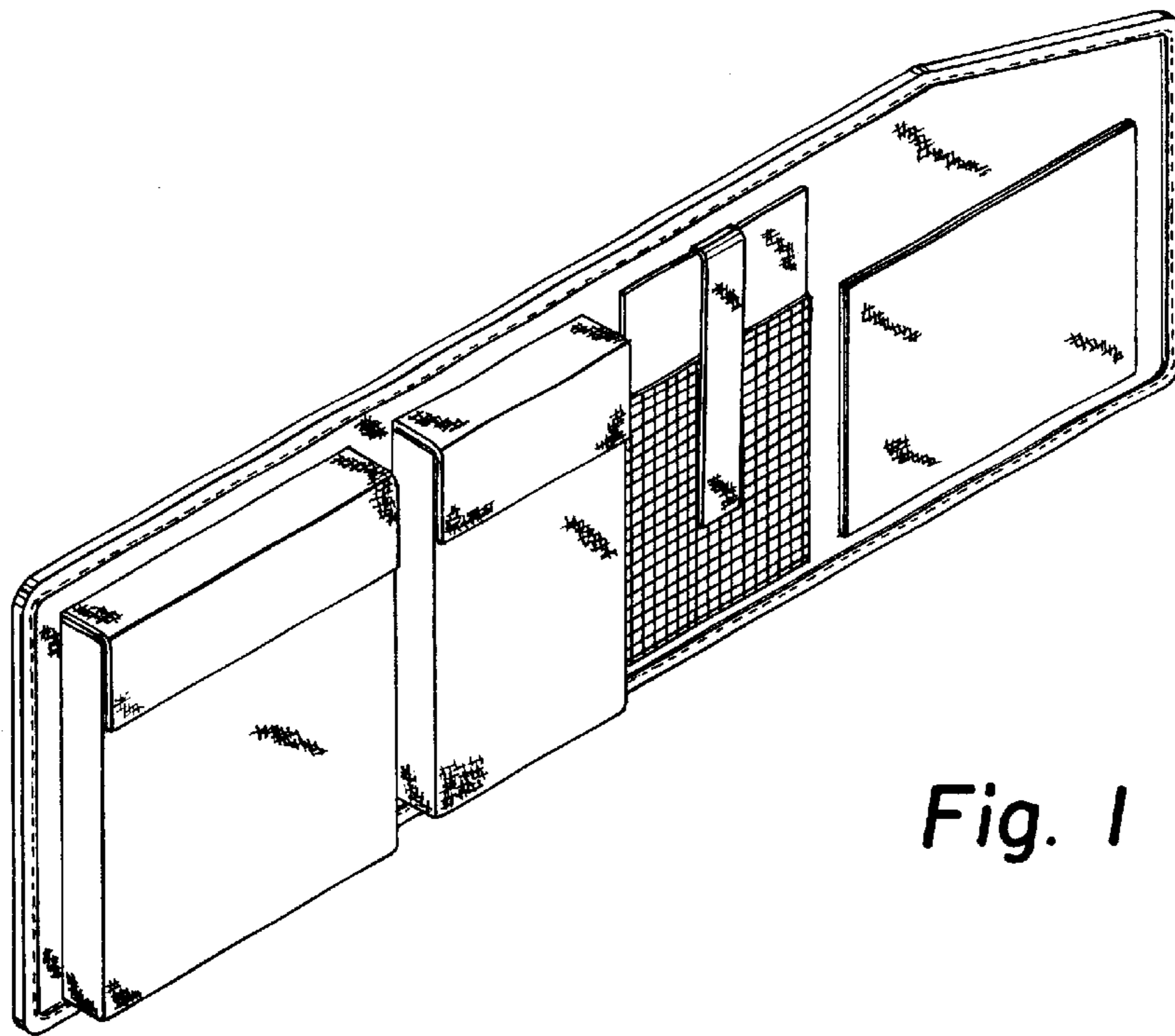
**DESCRIPTION**

FIG. 1 is a front, top perspective view of a car organizer for wireless accessories showing my new design; FIG. 2 is a back side elevational view thereof; FIG. 3 is an end side elevational view thereof; and, FIG. 4 is a bottom plan view thereof.

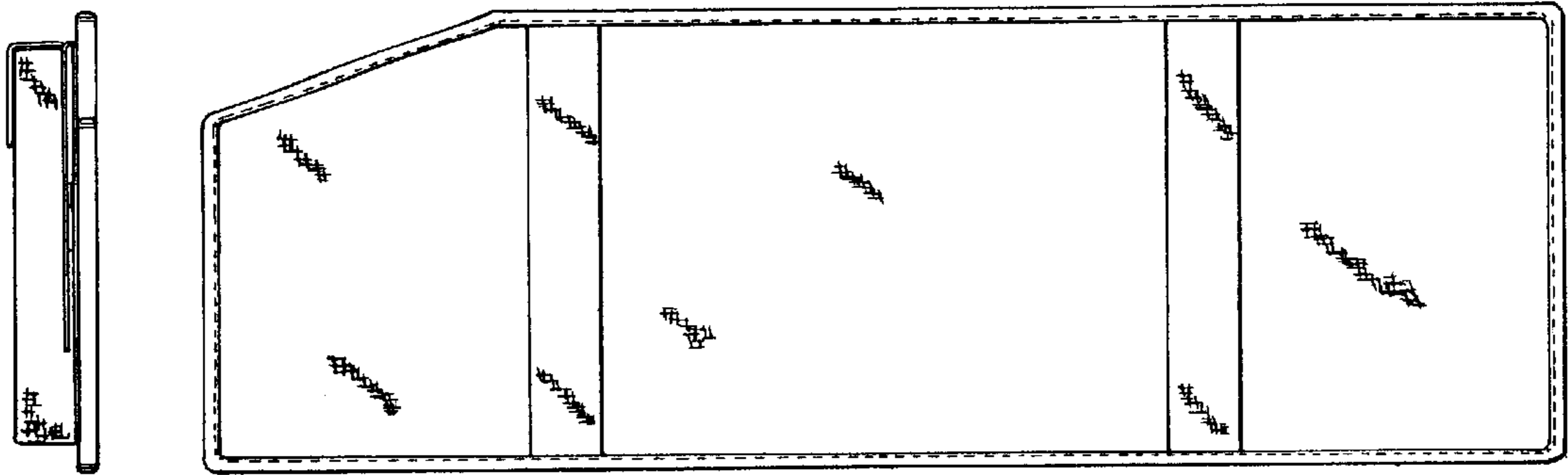
In the figures described below, the patterns and shading techniques on the drawings are intended to represent a fabric material, and is repeated throughout the entire area of the organizer. Additionally, the square pattern on the third flap pocket is understood to represent a mesh material. Finally, the dashed lines on the organizer are understood to represent stitching.

**1 Claim, 1 Drawing Sheet**



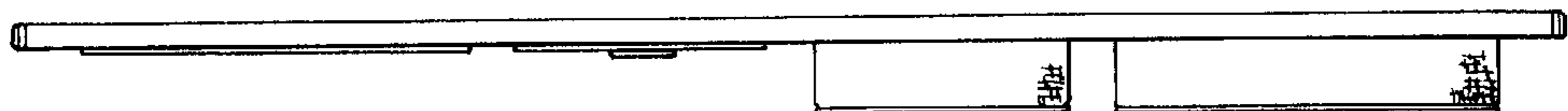


*Fig. 1*



*Fig. 2*

*Fig. 3*



*Fig. 4*