



US00D479502S

(12) **United States Design Patent**  
**Gagnon**

(10) **Patent No.:** **US D479,502 S**

(45) **Date of Patent:** **\*\* Sep. 9, 2003**

- (54) **CAR VISOR CARE KIT CASE**
- (75) Inventor: **Mario Gagnon, Montreal (CA)**
- (73) Assignee: **Itochu Canada Ltd., Montréal (CA)**
- (\*\*) Term: **14 Years**
- (21) Appl. No.: **29/167,130**
- (22) Filed: **Sep. 10, 2002**
- (51) **LOC (7) Cl.** ..... **12-16**
- (52) **U.S. Cl.** ..... **D12/417**
- (58) **Field of Search** ..... **D12/417, 191;**  
**D3/208, 211, 237, 263-266; 351/111-112;**  
**296/97.1, 97.6-97.12; 224/312; 40/376,**  
**380, 389; 248/309.1, 902; 160/370.21-370.23;**  
**297/191, 188-188.18**

- D434,367 S \* 11/2000 Baldwin et al. .... D12/417
- D457,852 S \* 5/2002 Richter ..... D12/417
- D461,952 S \* 8/2002 Chan ..... D12/417 X

\* cited by examiner

*Primary Examiner*—Stacia Cadmus

(74) *Attorney, Agent, or Firm*—Robic

(57) **CLAIM**

The ornamental design for a car visor care kit case, as shown and described.

**DESCRIPTION**

FIG. 1 is a perspective view of the car visor care kit case viewed from the top;

FIG. 2 is a perspective view of the car visor care kit case viewed from the bottom;

FIG. 3 is a front elevation view of the car visor care kit case;

FIG. 4 is a back elevation view of the car visor care kit case;

FIG. 5 is a top view elevation view of the car visor care kit case;

FIG. 6 is a bottom view of the car visor care kit case;

FIG. 7 is a side elevation view of the car visor care kit case from the right side thereof; and,

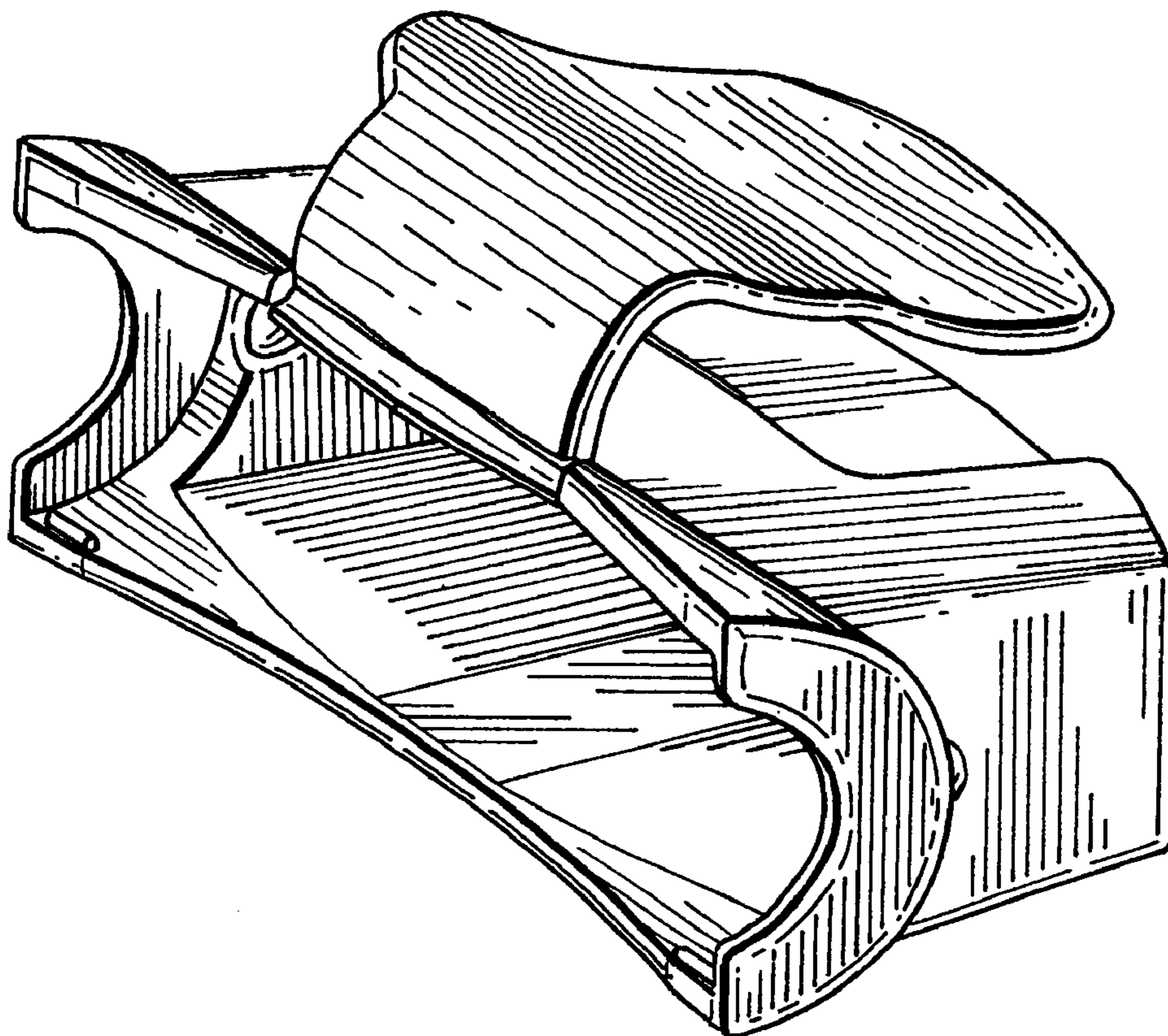
FIG. 8 is a side elevation view of the car visor care kit case from the left side thereof.

(56) **References Cited**

**U.S. PATENT DOCUMENTS**

- D132,770 S \* 6/1942 Hoople ..... D12/417
- D179,263 S \* 11/1956 Peilet et al. .... D12/417
- 2,908,434 A \* 10/1959 Schnabel ..... D12/417 X
- D186,504 S \* 11/1959 Chase ..... D12/417
- D313,501 S \* 1/1991 Levy et al. .... D12/417 X
- D329,540 S \* 9/1992 Kunes et al. .... D12/417 X
- D338,864 S \* 8/1993 Morris et al. .... D12/191
- D354,471 S \* 1/1995 Moseley ..... D12/191

**1 Claim, 5 Drawing Sheets**



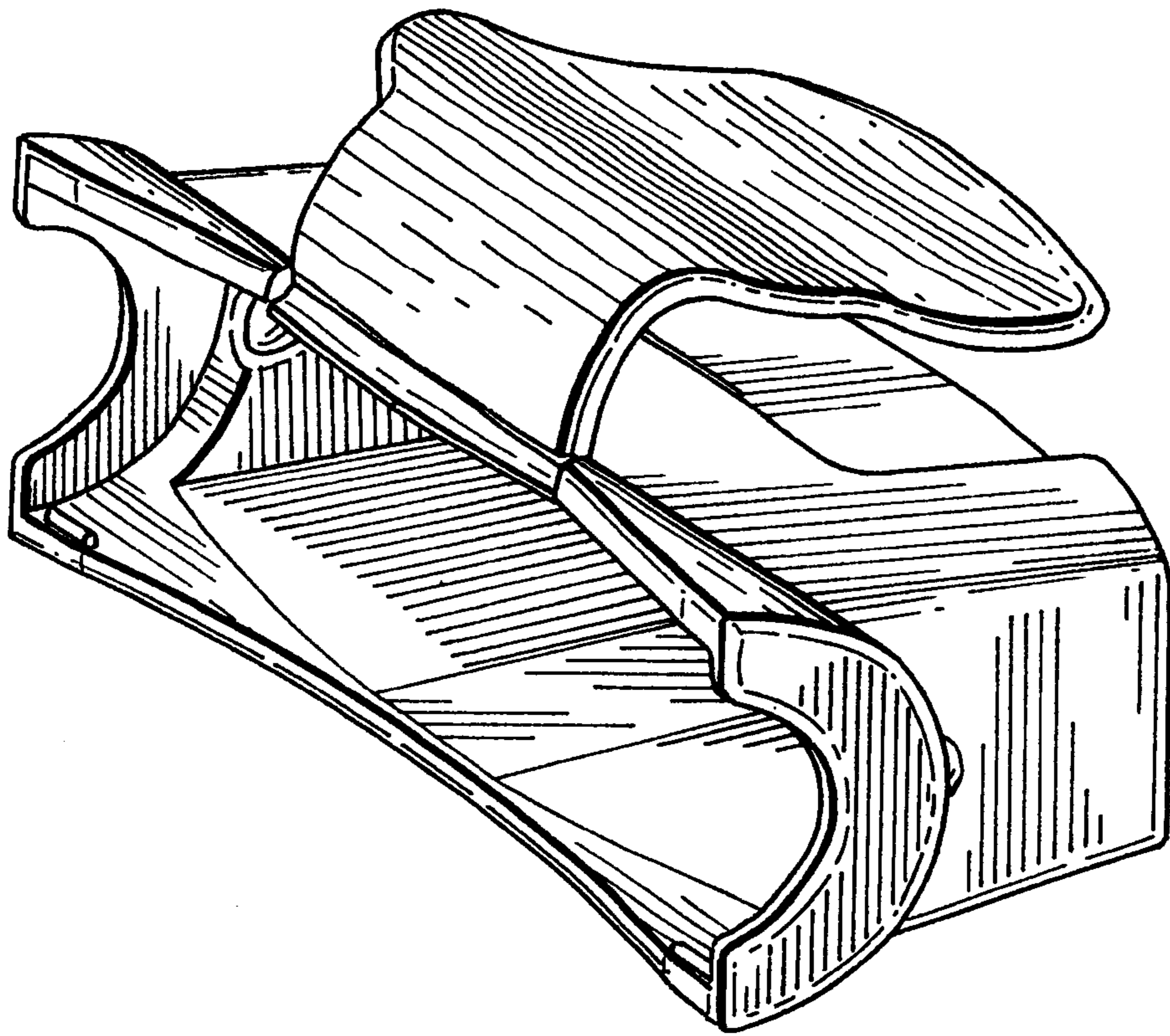


FIG. 1

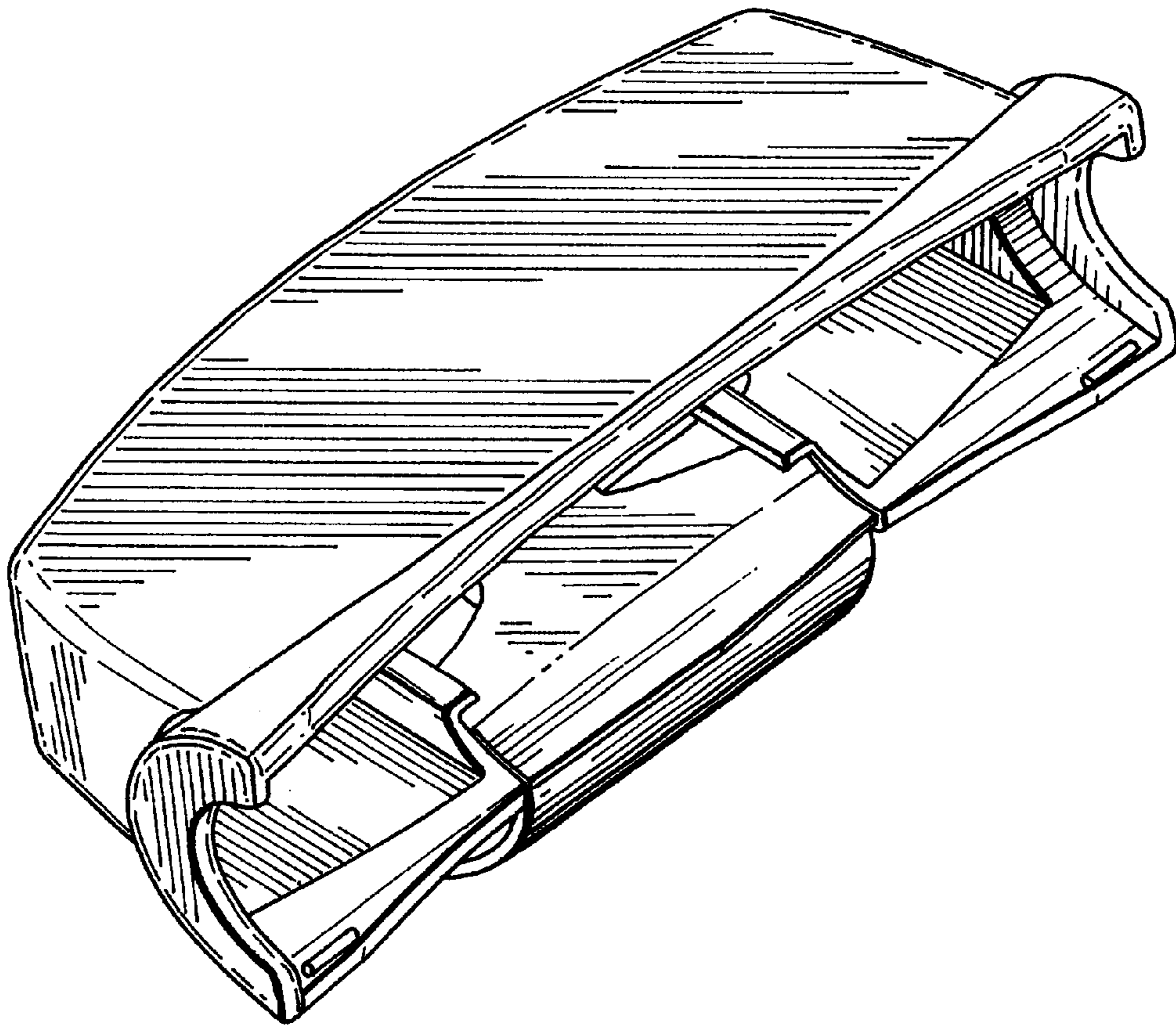


FIG. 2

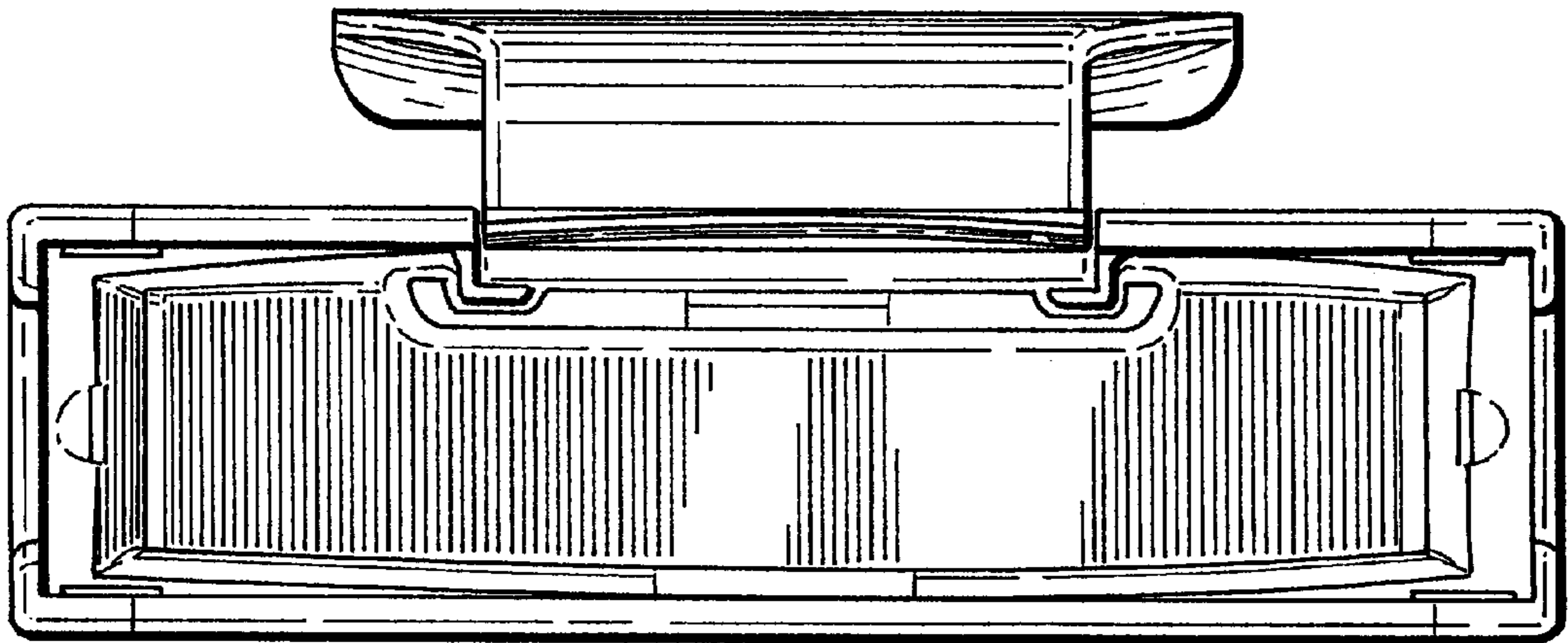


FIG. 3

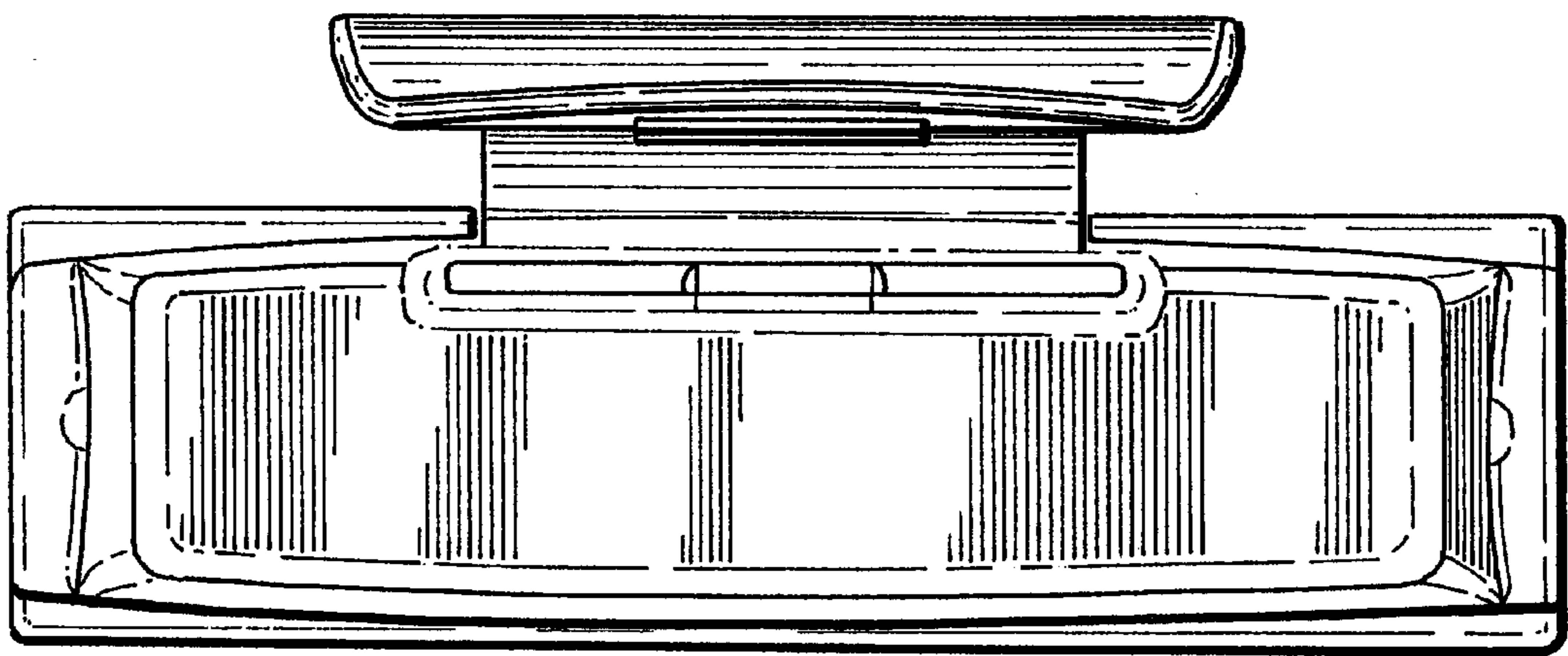


FIG. 4

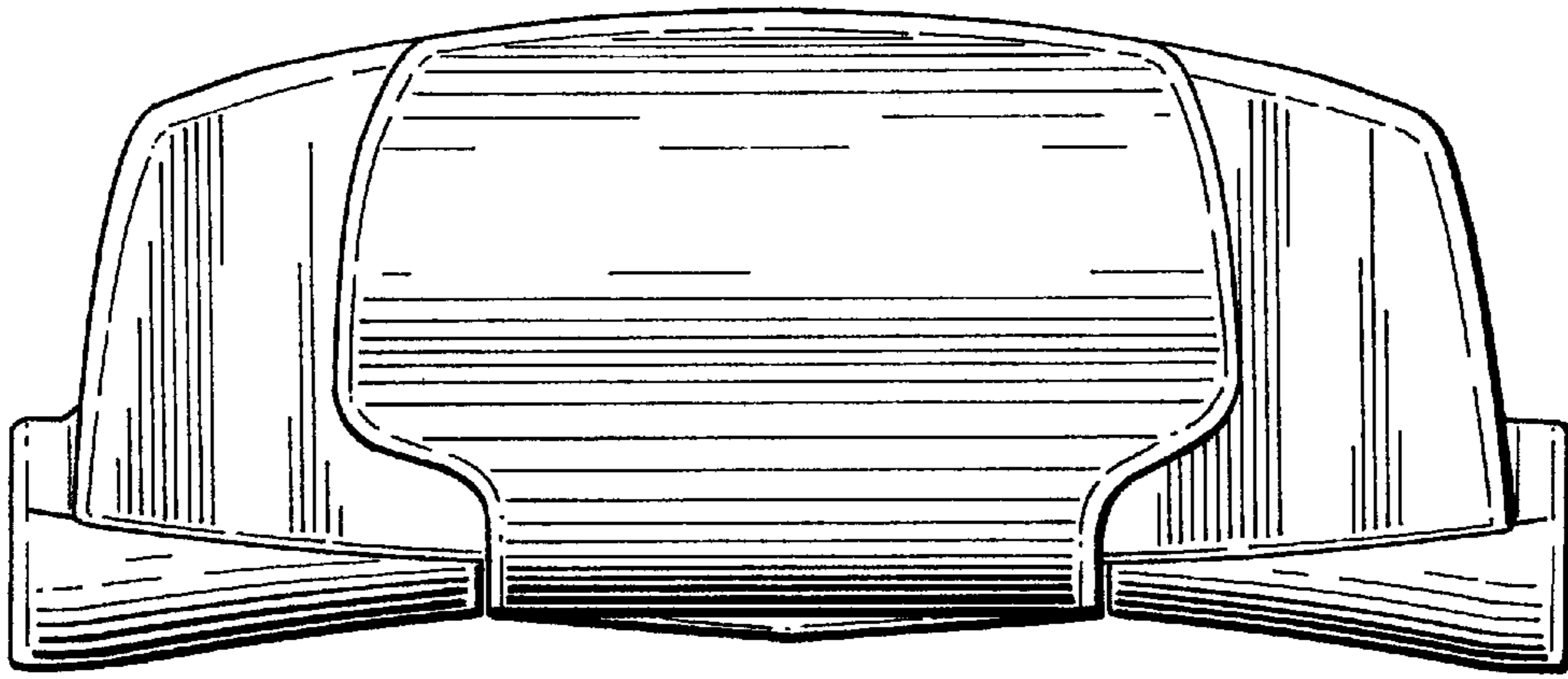


FIG. 5

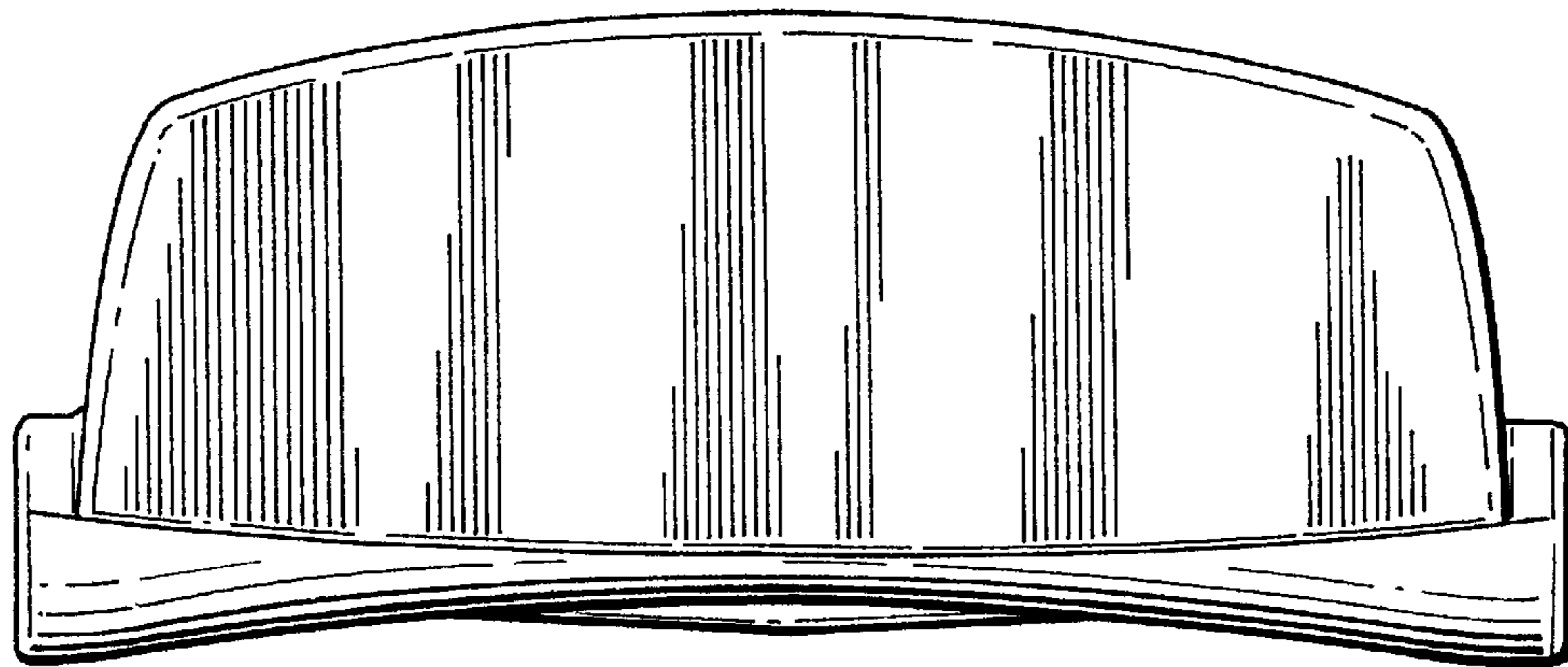


FIG. 6

FIG. 7

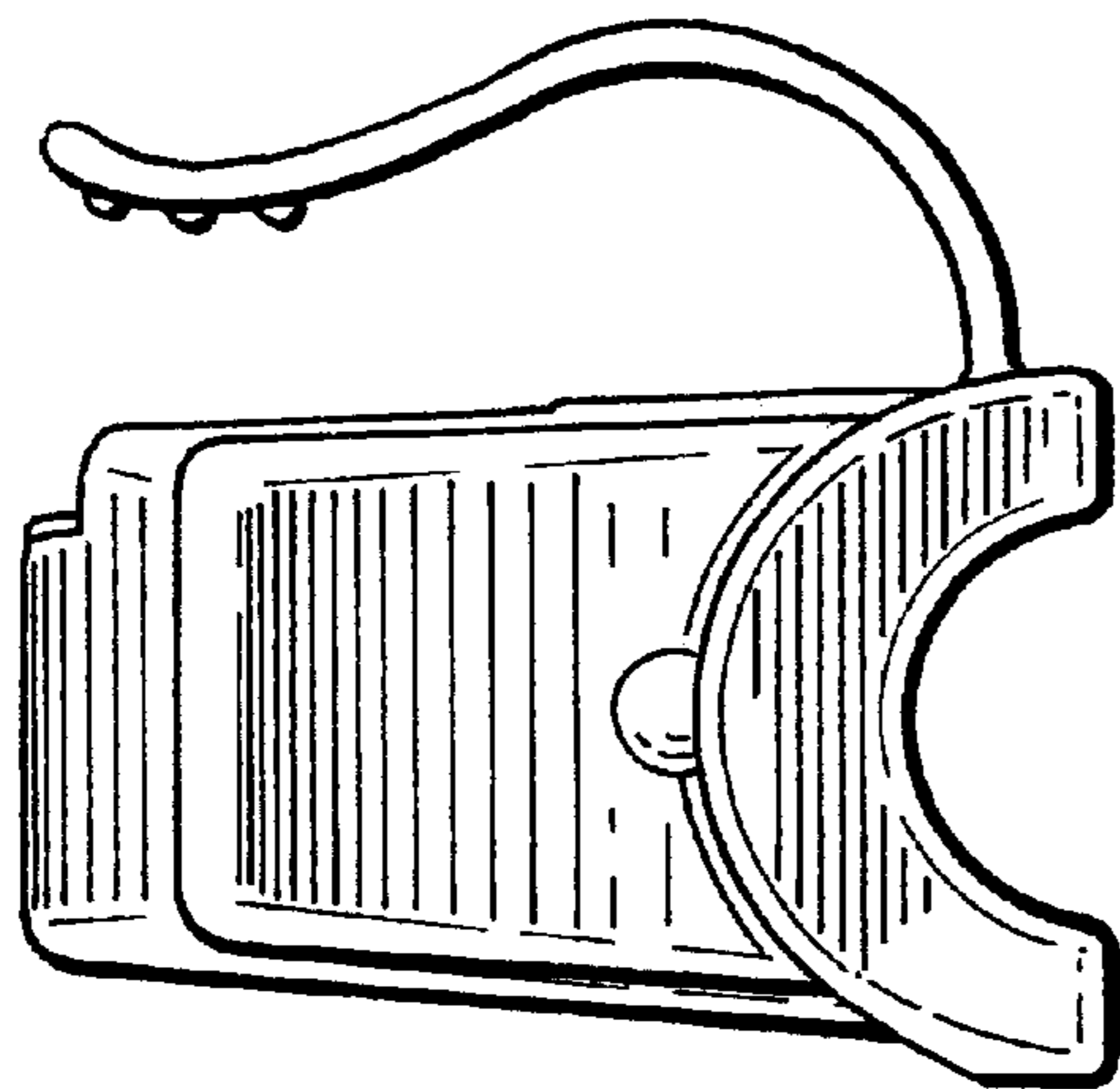
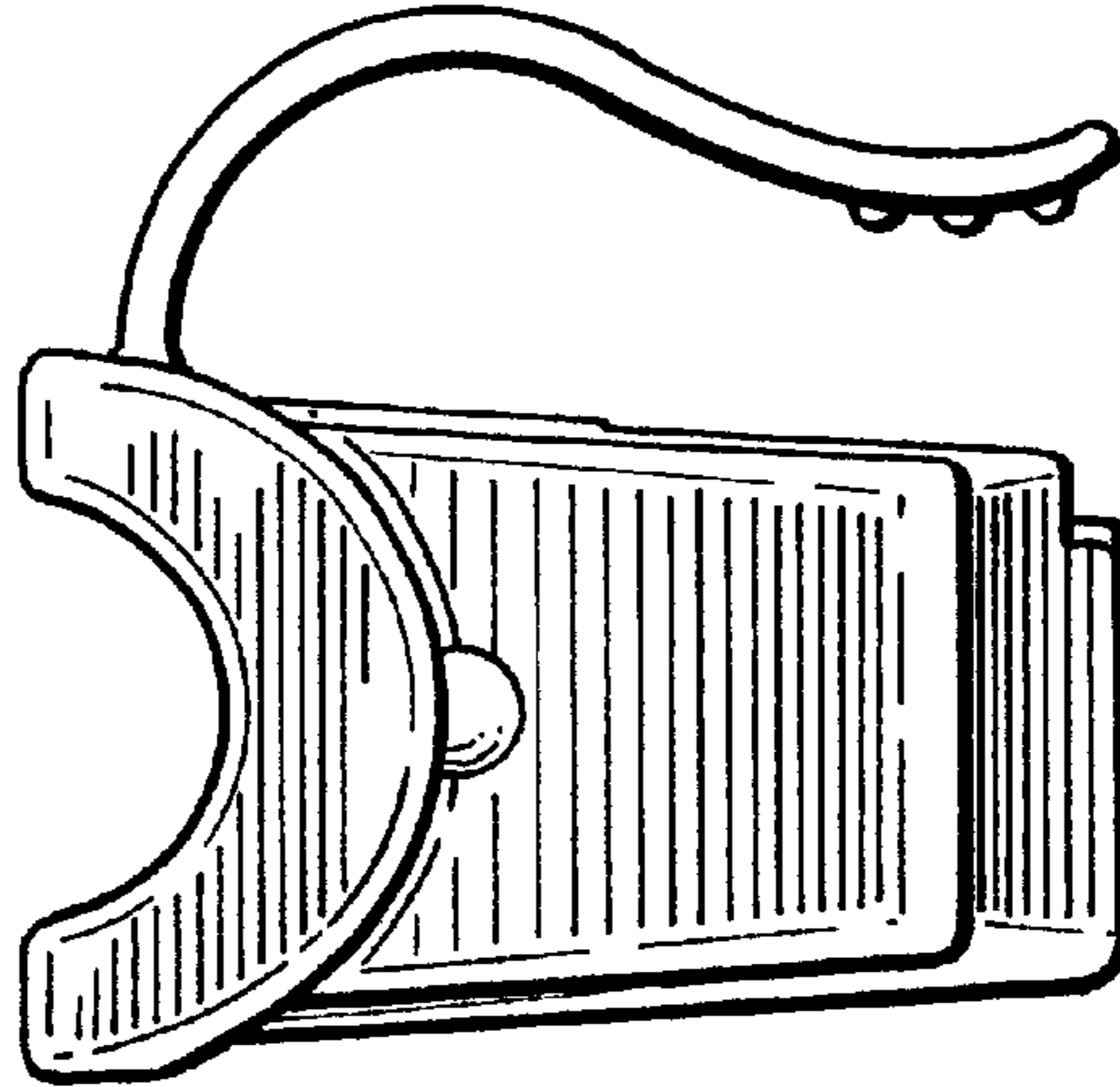


FIG. 8