



US00D479499S

(12) **United States Design Patent**  
**Cameron et al.**

(10) **Patent No.:** **US D479,499 S**

(45) **Date of Patent:** **\*\* Sep. 9, 2003**

(54) **TAILGATE COVER**

D465,187 S \* 11/2002 Walker et al. .... D12/221

(76) Inventors: **Donald S. Cameron**, 5087 Pebble  
Creek East, Apt. 10, Shelby Township,  
MI (US) 48317; **Joseph R. Fournier**,  
22988 Shiell St., Clinton Township, MI  
(US) 48035

\* cited by examiner

*Primary Examiner*—Melody N. Brown  
(74) *Attorney, Agent, or Firm*—Warn, Burgess & Hoffman,  
P.C.

(\*\*) Term: **14 Years**

(57) **CLAIM**

The ornamental design for a tailgate cover, as shown and  
described.

(21) Appl. No.: **29/169,999**

(22) Filed: **Oct. 30, 2002**

**DESCRIPTION**

(51) **LOC (7) Cl.** ..... **12-16**

(52) **U.S. Cl.** ..... **D12/221; D12/196**

(58) **Field of Search** ..... D12/196, 98, 221,  
D12/401, 423; 296/24.1, 57.1, 39.2, 3,  
26, 50, 37.6; 280/423.1, 441, 441.1, 441.2

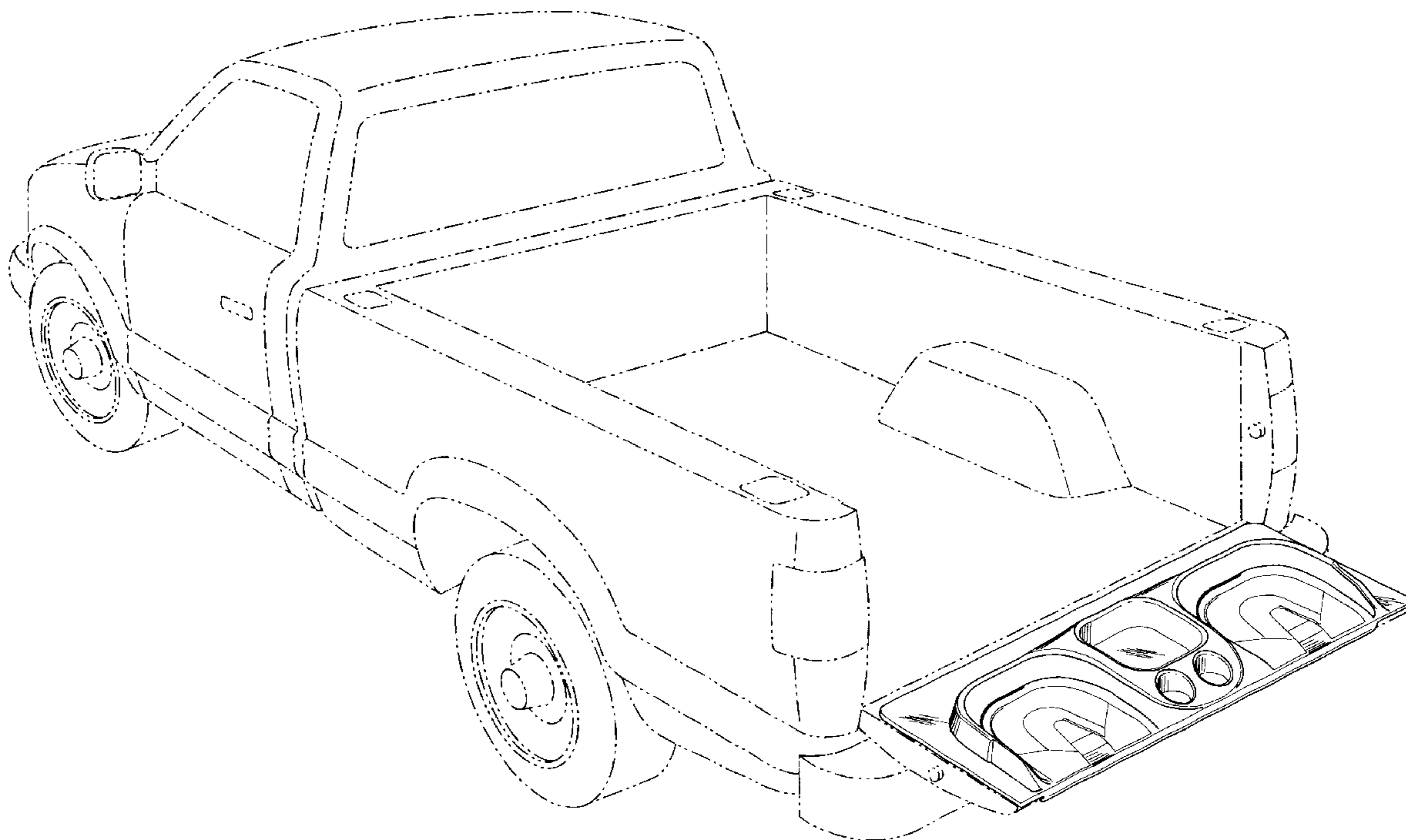
FIG. 1 is a front perspective view of a tailgate cover of the  
present invention on a reduced scale deployed on the tailgate  
of a pickup truck shown in broken lines, the pickup truck not  
forming any part of the present invention;  
FIG. 2 is a front perspective view of the tailgate cover of the  
present invention;  
FIG. 3 is a top plan view thereof;  
FIG. 4 is a front elevational view thereof;  
FIG. 5 is a bottom plan view thereof;  
FIG. 6 is a rear elevational view thereof; and,  
FIG. 7 is a right side view thereof, the left side view being  
a mirror image thereof.

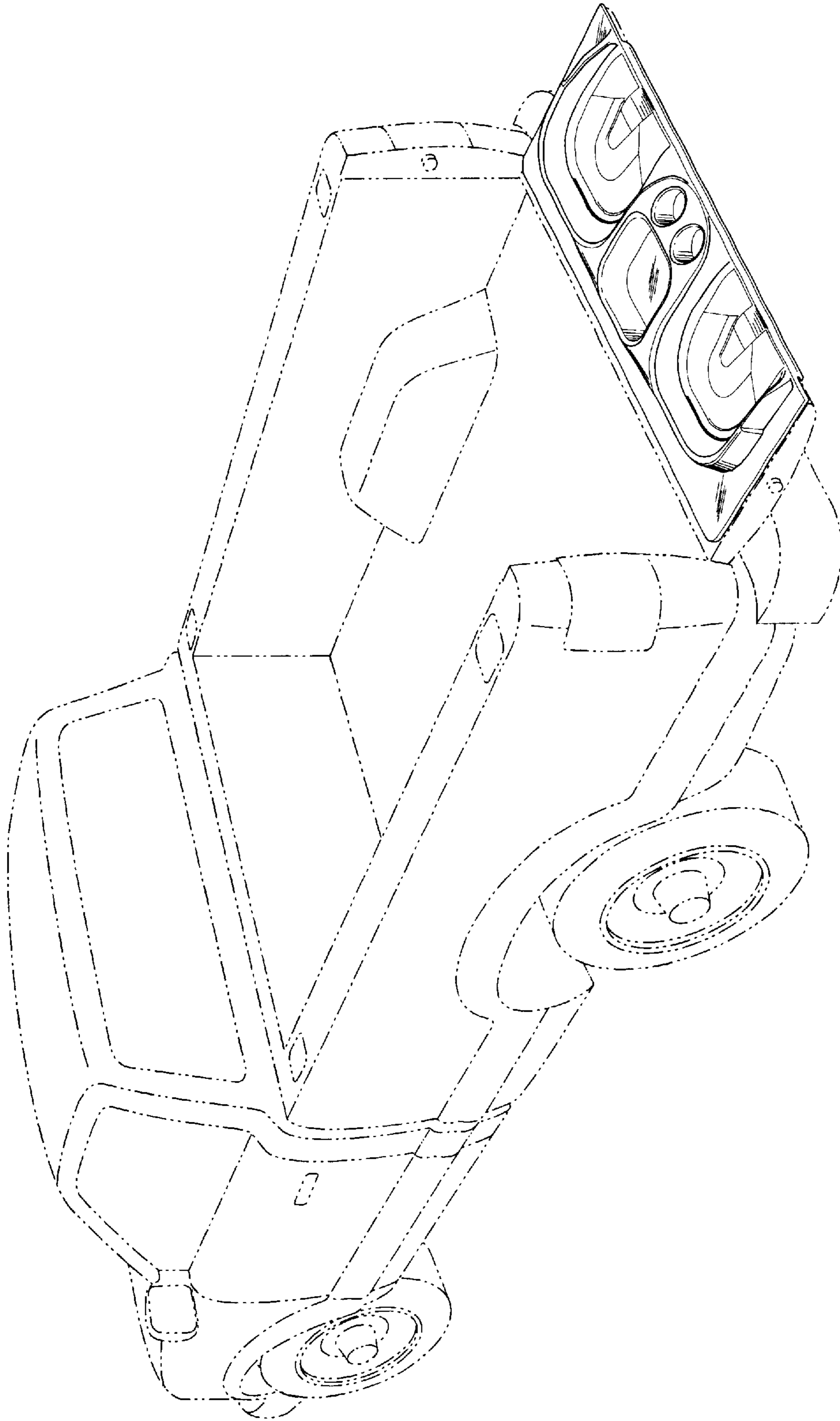
(56) **References Cited**

**U.S. PATENT DOCUMENTS**

- D391,545 S \* 3/1998 Arndt et al. .... D12/221
- D398,282 S \* 9/1998 Dirks ..... D12/221
- D398,575 S \* 9/1998 Blanton ..... D12/221
- 6,206,445 B1 \* 3/2001 Brooks ..... 296/39.2 X
- D441,340 S \* 5/2001 Whiteford et al. .... D12/221

**1 Claim, 3 Drawing Sheets**





**FIGURE 1**

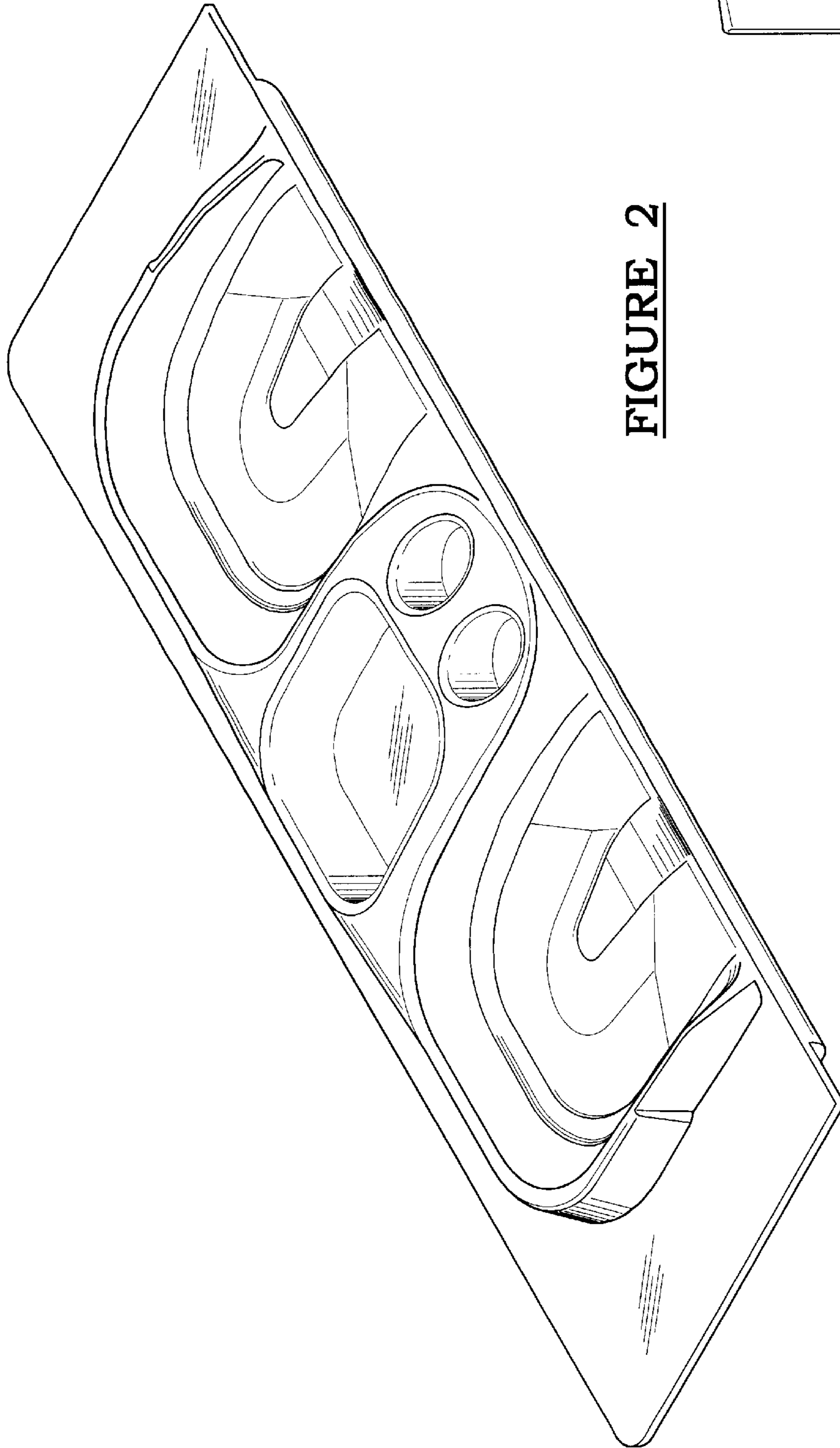


FIGURE 2

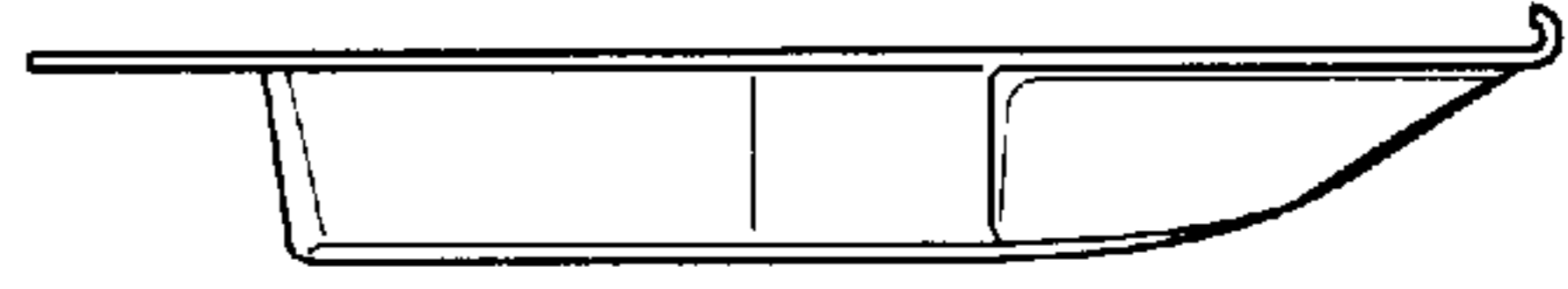


FIGURE 7

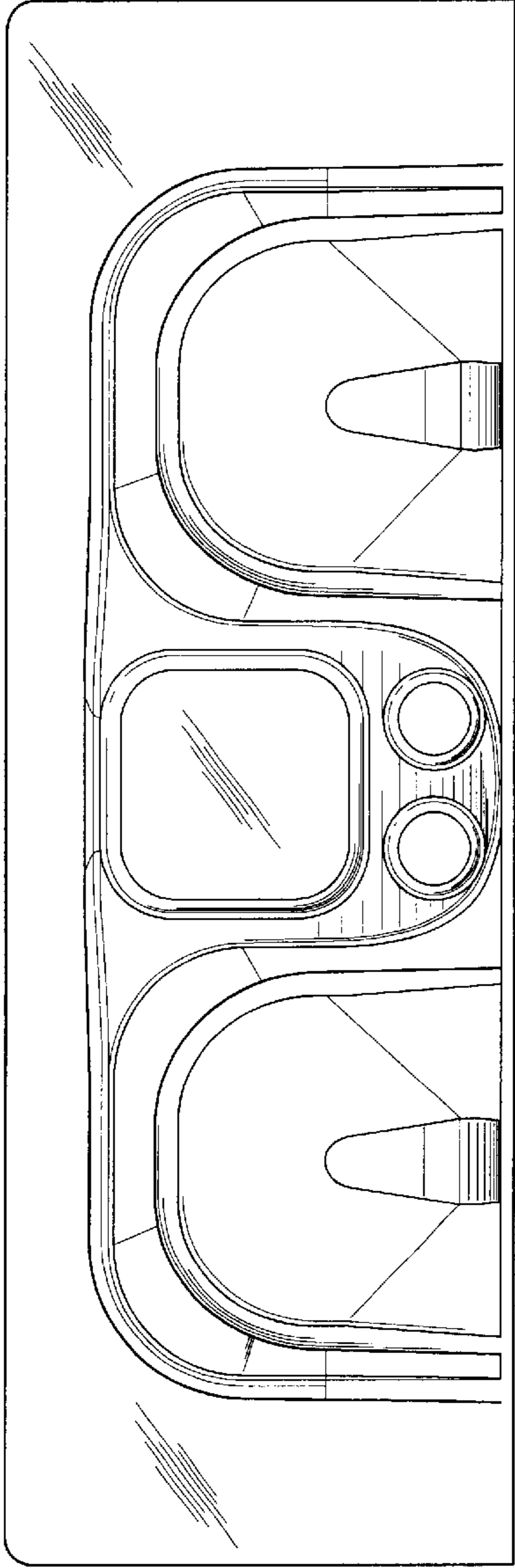


FIGURE 3

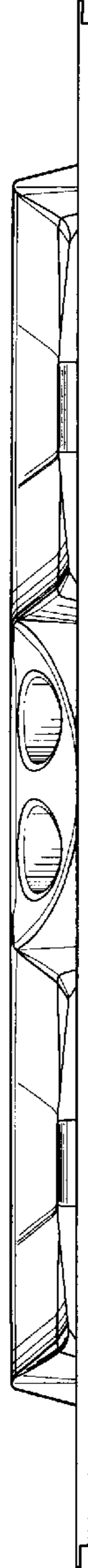


FIGURE 4

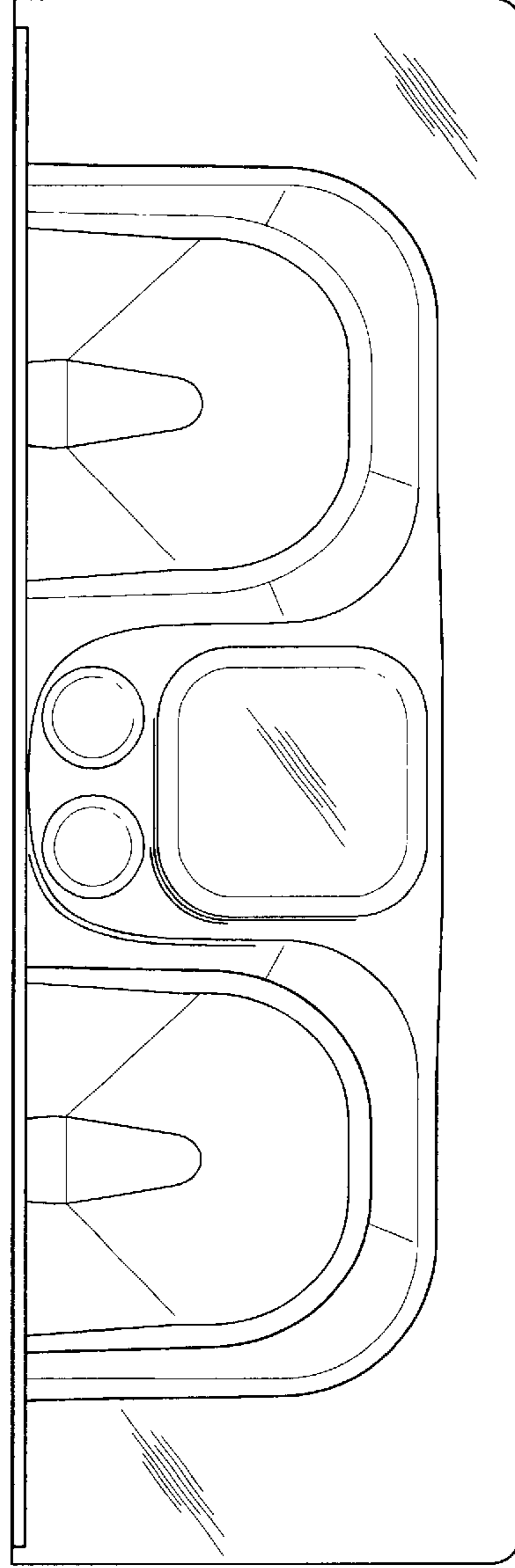


FIGURE 5

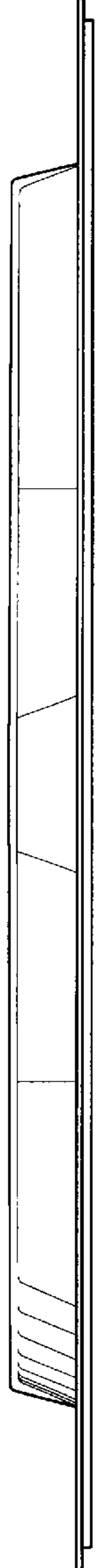


FIGURE 6