



US00D479496S

(12) **United States Design Patent**
Tsai et al.

(10) **Patent No.:** **US D479,496 S**

(45) **Date of Patent:** **** Sep. 9, 2003**

(54) **ELECTRIC MOBILITY SCOOTER**

(75) Inventors: **Chi-Chen Tsai**, Kaohsiung (TW);
Mark Hermolle, Monmouth (GB)

(73) Assignee: **Kwang Yang Motor Co., Ltd.**,
Kaohsiung (TW)

(**) Term: **14 Years**

(21) Appl. No.: **29/170,487**

(22) Filed: **Nov. 7, 2002**

(51) **LOC (7) Cl.** **12-12**

(52) **U.S. Cl.** **D12/128**

(58) **Field of Search** D12/128-133;
280/250.1, 304.1; 180/6.5, 65.1, 907, 908,
326; 297/DIG. 4

(56) **References Cited**

U.S. PATENT DOCUMENTS

D403,279 S * 12/1998 Wu D12/128

D444,421 S * 7/2001 Cheng D12/128

D454,814 S * 3/2002 Ou D12/128

D460,028 S * 7/2002 Wu et al. D12/128

* cited by examiner

Primary Examiner—Marcus A. Jackson

(74) *Attorney, Agent, or Firm*—Leong C. Lei

(57) **CLAIM**

The ornamental design for an electric mobility scooter, as shown and described.

DESCRIPTION

FIG. 1 is a perspective view of an electric mobility scooter showing my new design;

FIG. 2 is a rear side elevation view thereof;

FIG. 3 is a front side elevation view thereof;

FIG. 4 is a left side elevation view thereof;

FIG. 5 is a right side elevation view thereof;

FIG. 6 is a top plan view thereof; and,

FIG. 7 is a bottom plan view thereof.

1 Claim, 5 Drawing Sheets



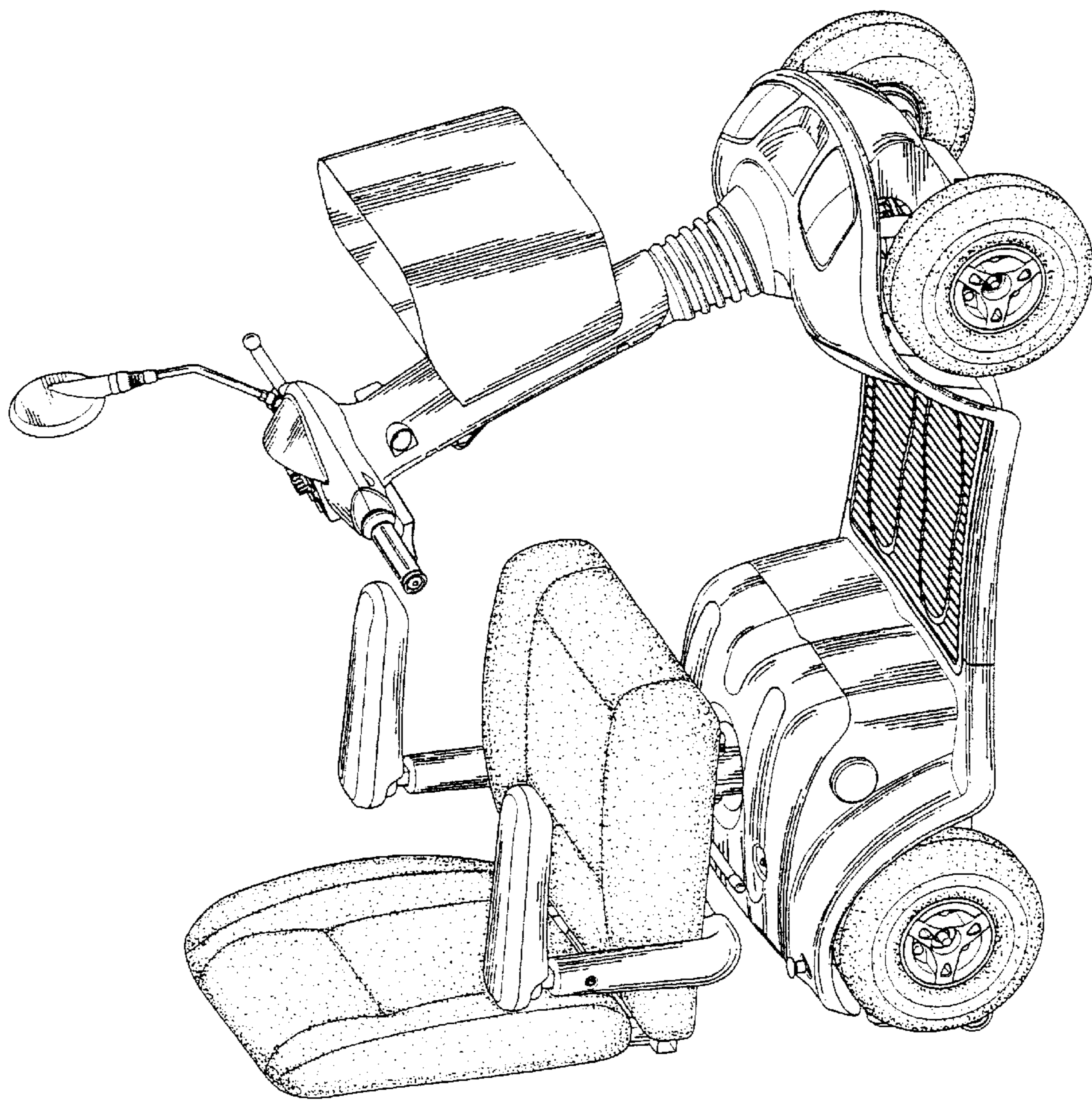


FIG.1

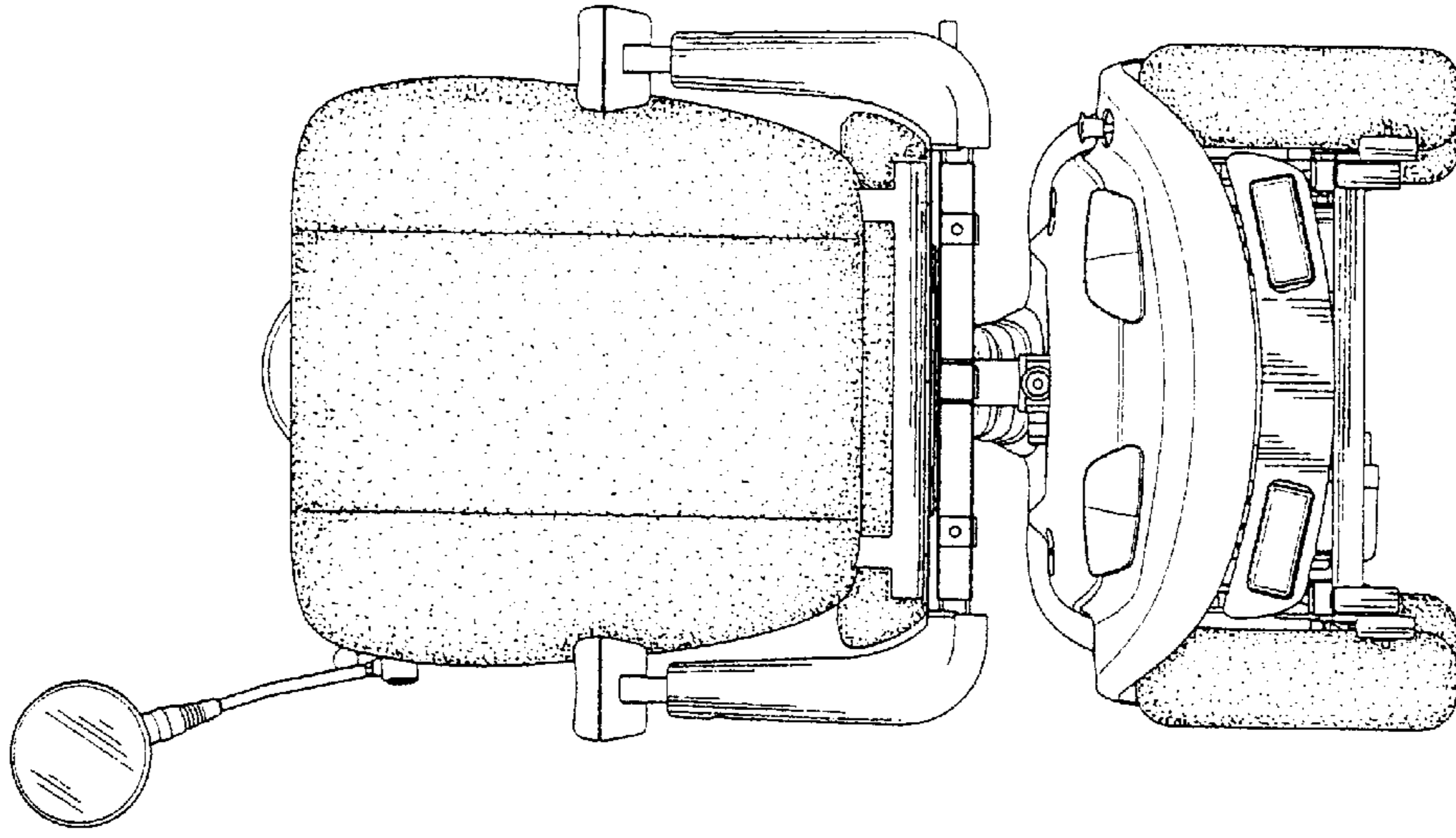


FIG.3

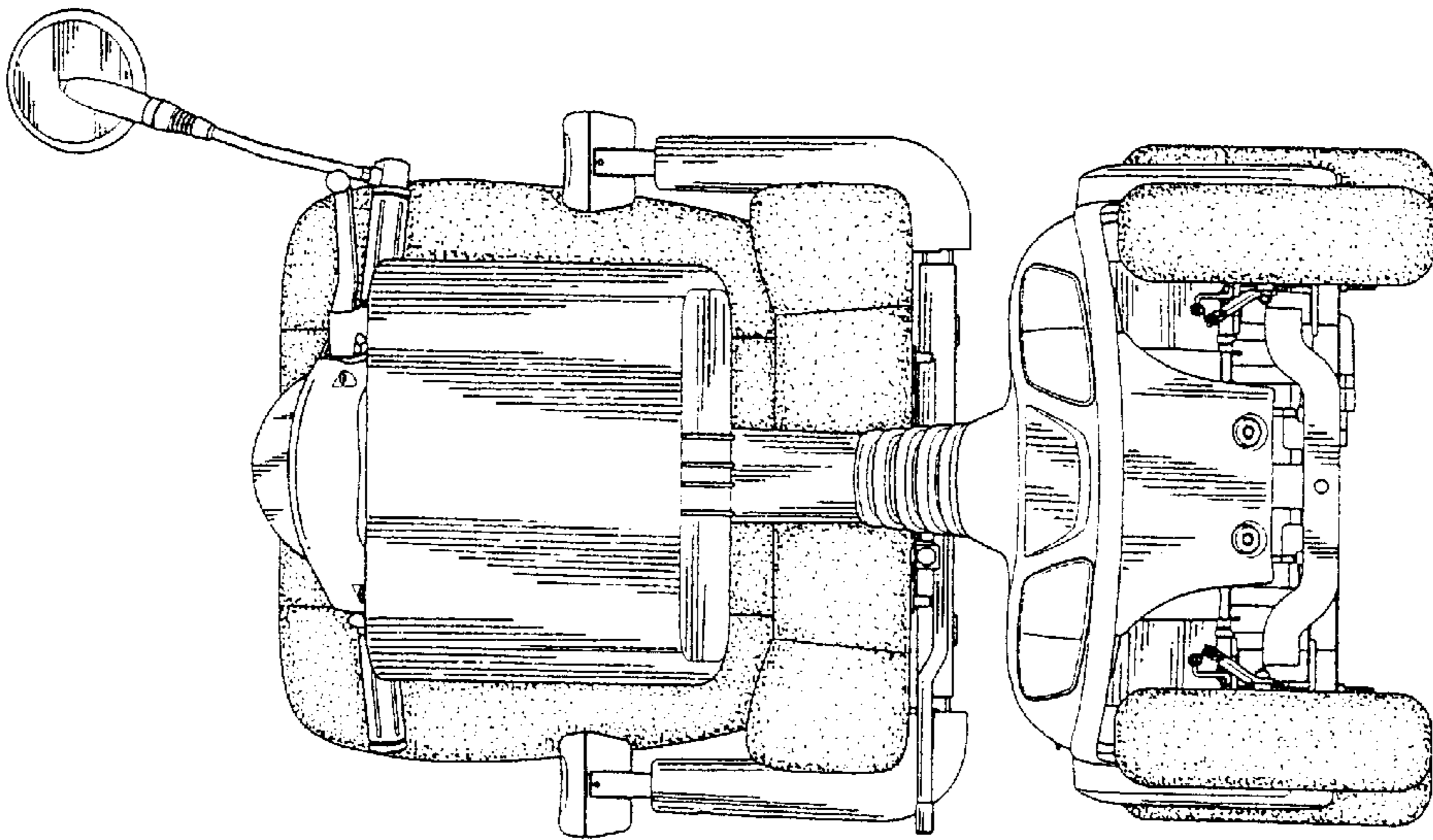


FIG.2

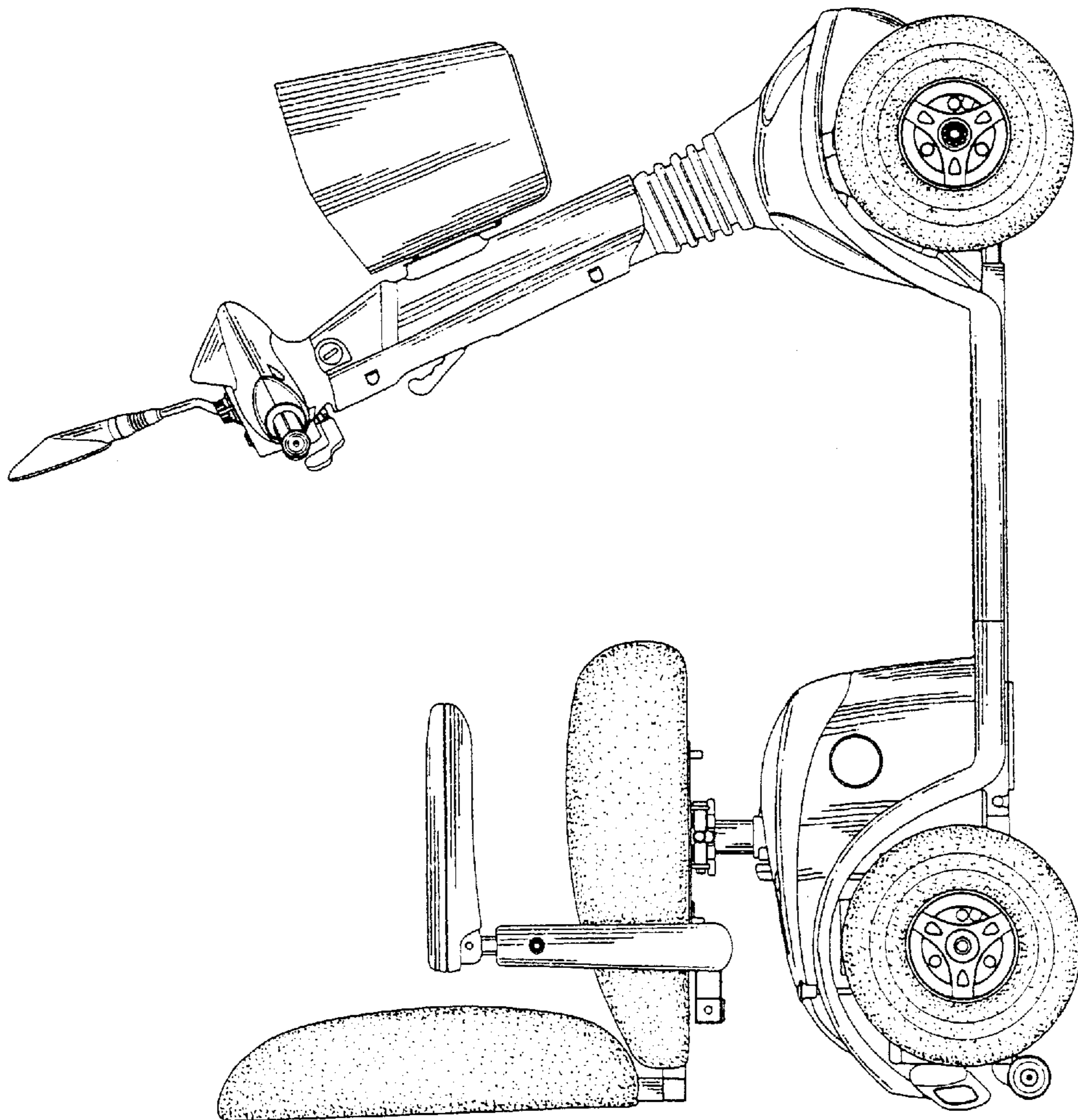


FIG.4

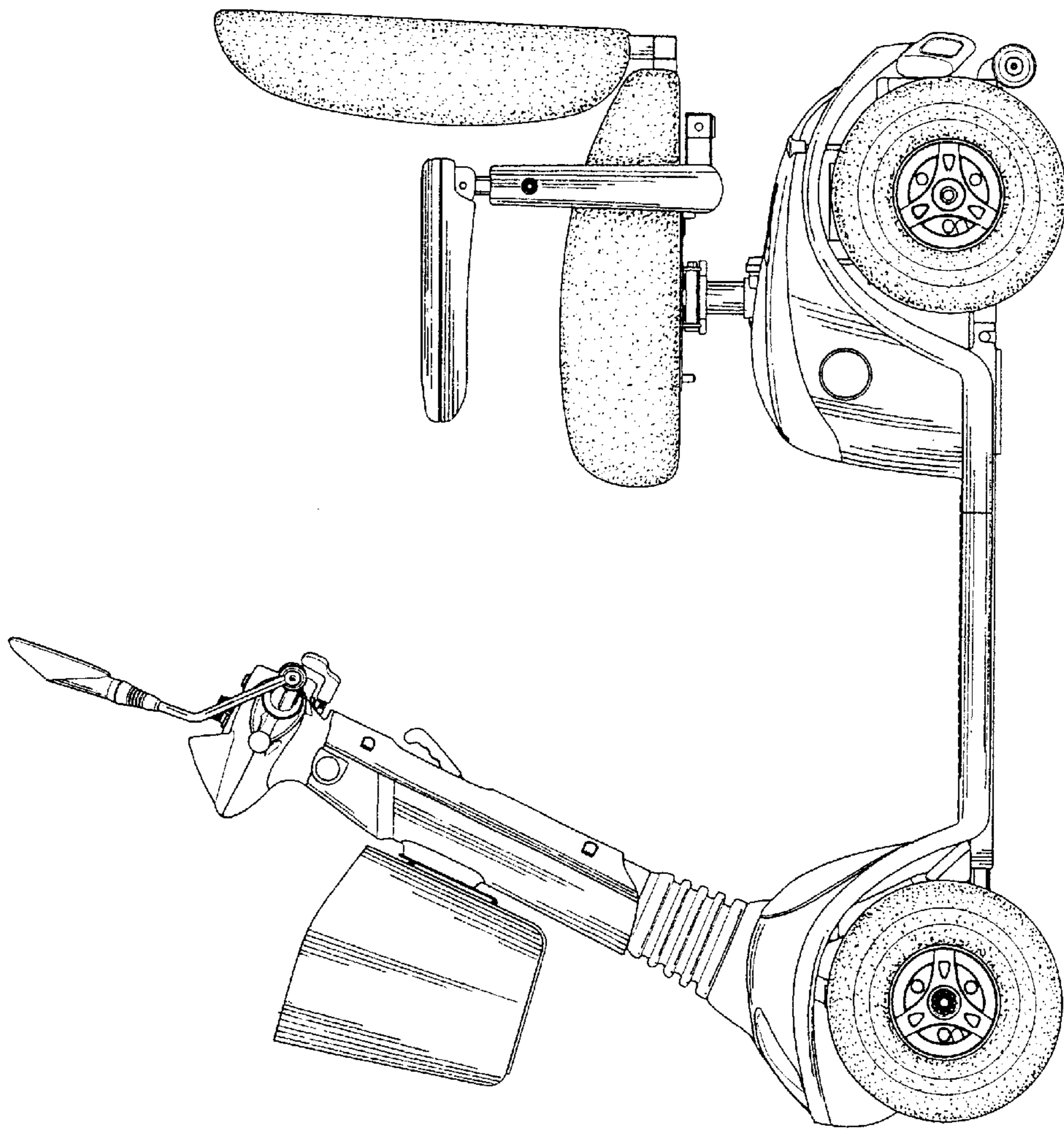


FIG.5

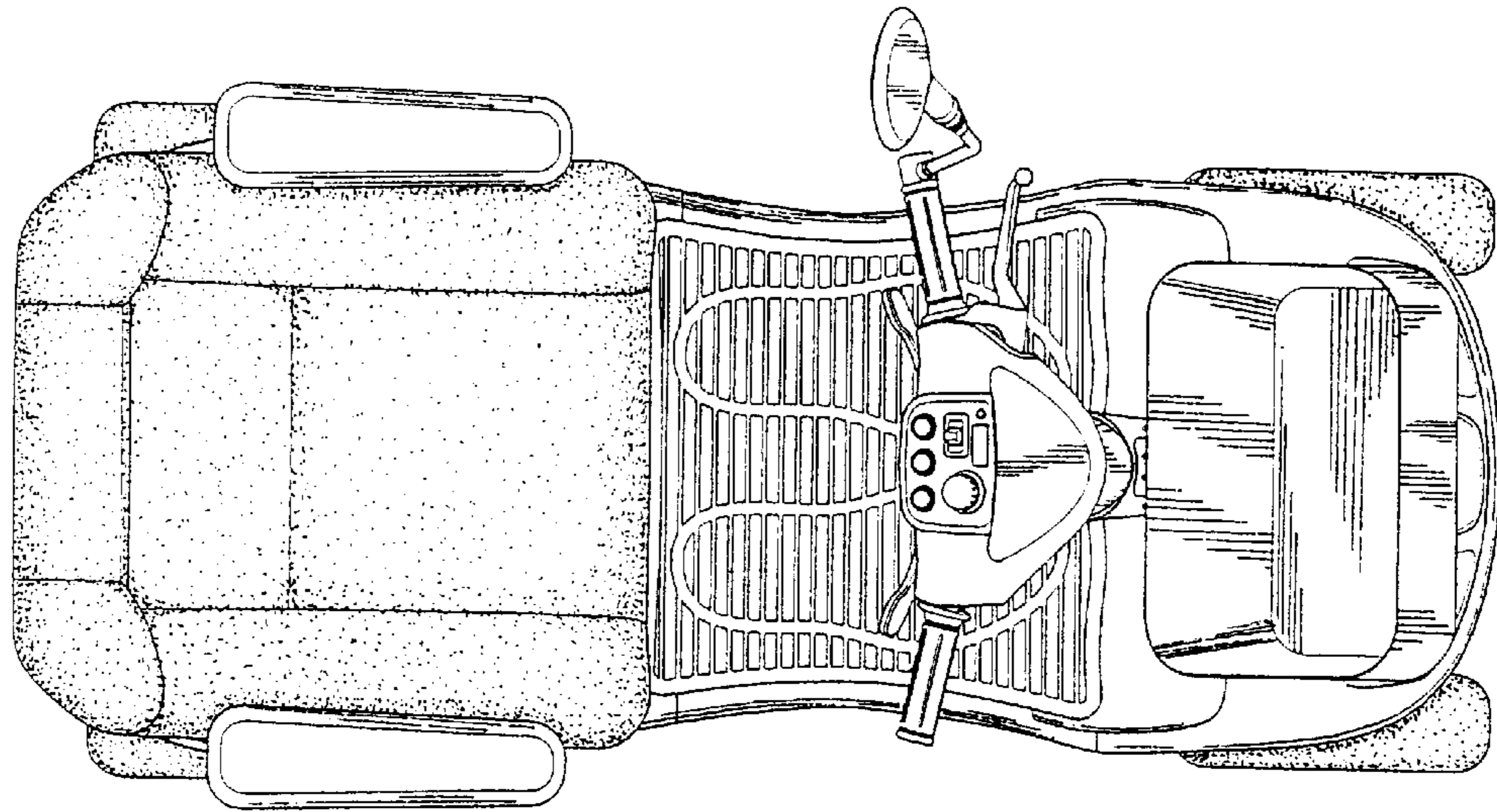


FIG. 6

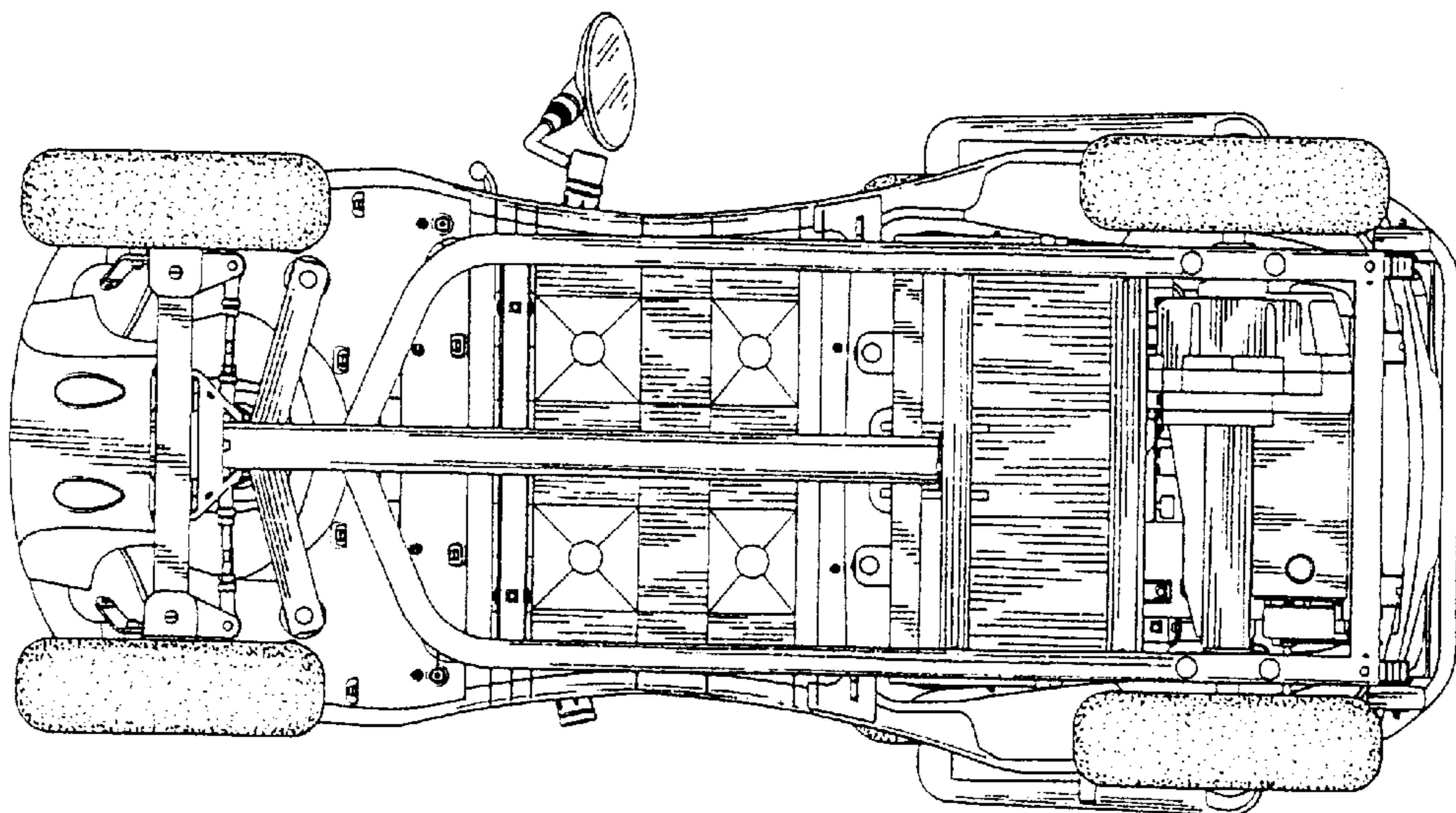


FIG. 7