



US00D479495S

(12) **United States Design Patent**
Thorpe

(10) **Patent No.:** **US D479,495 S**

(45) **Date of Patent:** **** Sep. 9, 2003**

(54) **BICYCLE FRAME SUBASSEMBLY**

D396,831 S * 8/1998 Aprilante et al. D12/111

(76) Inventor: **Richard Thorpe**, 202 West Block,
Forum Magnum Square, London (GB),
SE1 7GL

(**) Term: **14 Years**

(21) Appl. No.: **29/164,085**

(22) Filed: **Jul. 18, 2002**

(30) **Foreign Application Priority Data**

Jan. 22, 2002 (GB) 3000847

(51) **LOC (7) Cl.** **12-11**

(52) **U.S. Cl.** **D12/117**

(58) **Field of Search** D12/111, 117;
280/281.1, 288.1-288.4, 283-288, 274,
275, 278

(56) **References Cited**

U.S. PATENT DOCUMENTS

2,756,071 A * 7/1956 Riva 280/283

5,415,423 A * 5/1995 Allsop et al. 280/281.1

OTHER PUBLICATIONS

Bicycling May 1997 magazine, Softride PowerWing 650 on p. 99.*

* cited by examiner

Primary Examiner—Alan P. Douglas

Assistant Examiner—Linda Brooks

(74) *Attorney, Agent, or Firm*—Craig A. Fieschko, Esq.;
DeWitt Ross & Stevens S.C.

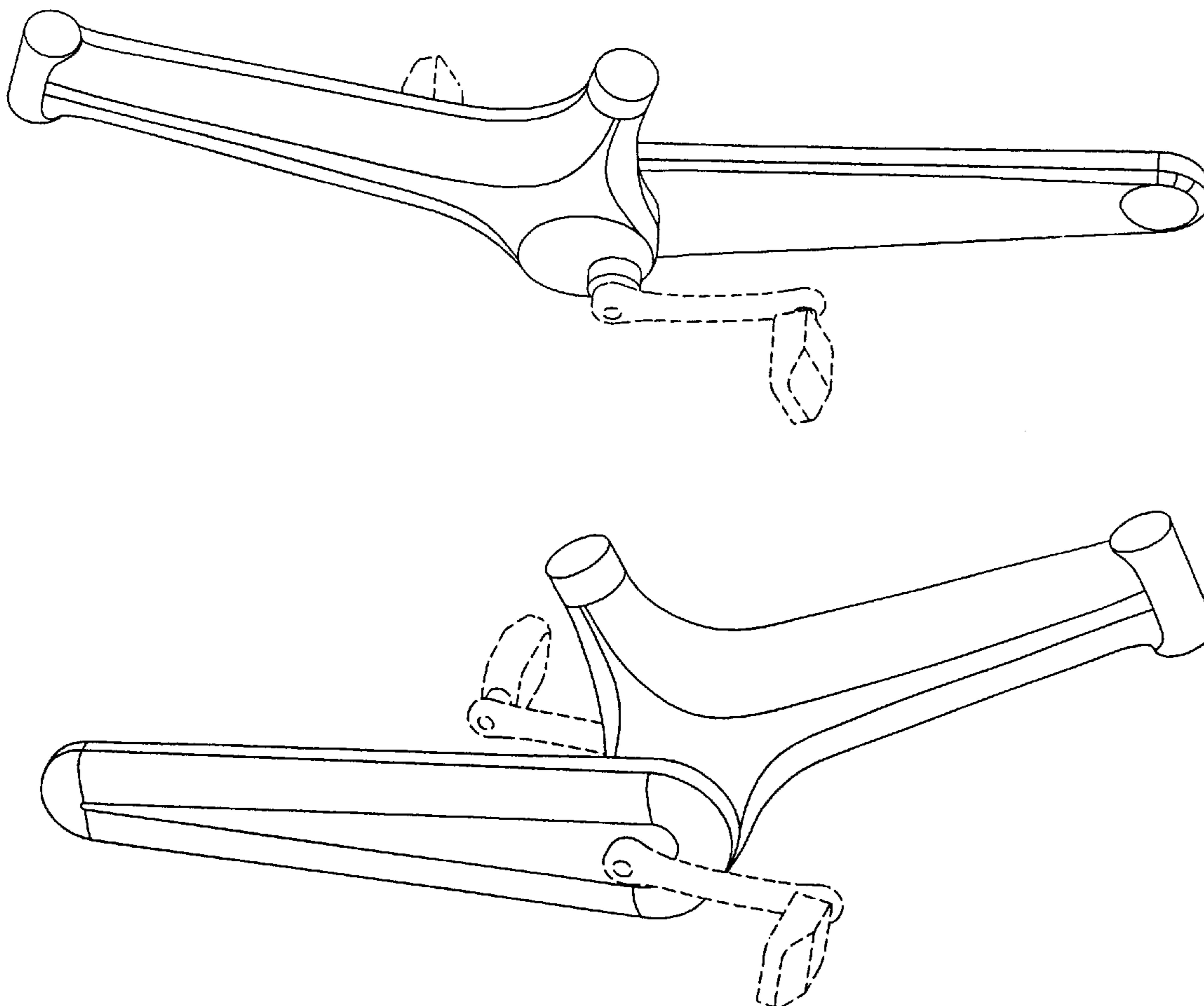
(57) **CLAIM**

I claim the ornamental design for a bicycle frame subassembly, as shown and described.

DESCRIPTION

FIG. 1 is a perspective view of a bicycle frame subassembly showing my design from the left side; and, FIG. 2 is a right side perspective view thereof. The broken line drawings of the pedals in FIGS. 1 to 2 are for illustrative purposes only and form no part of the claimed design.

1 Claim, 1 Drawing Sheet



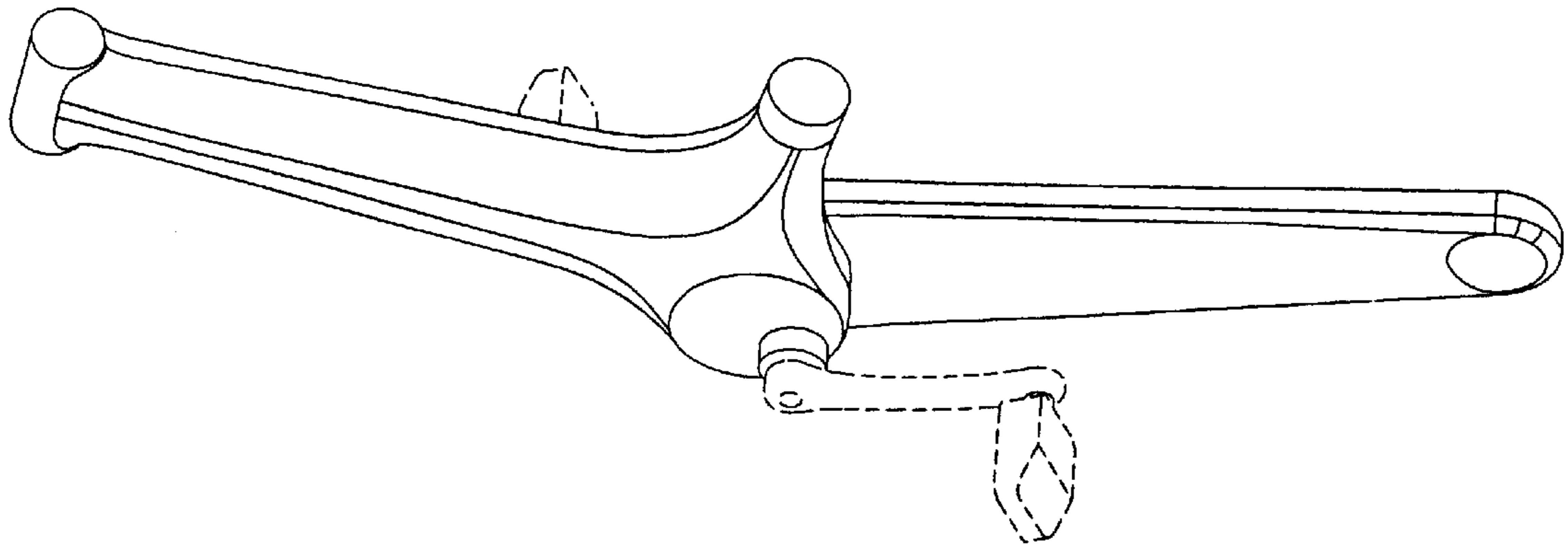


FIG. 1

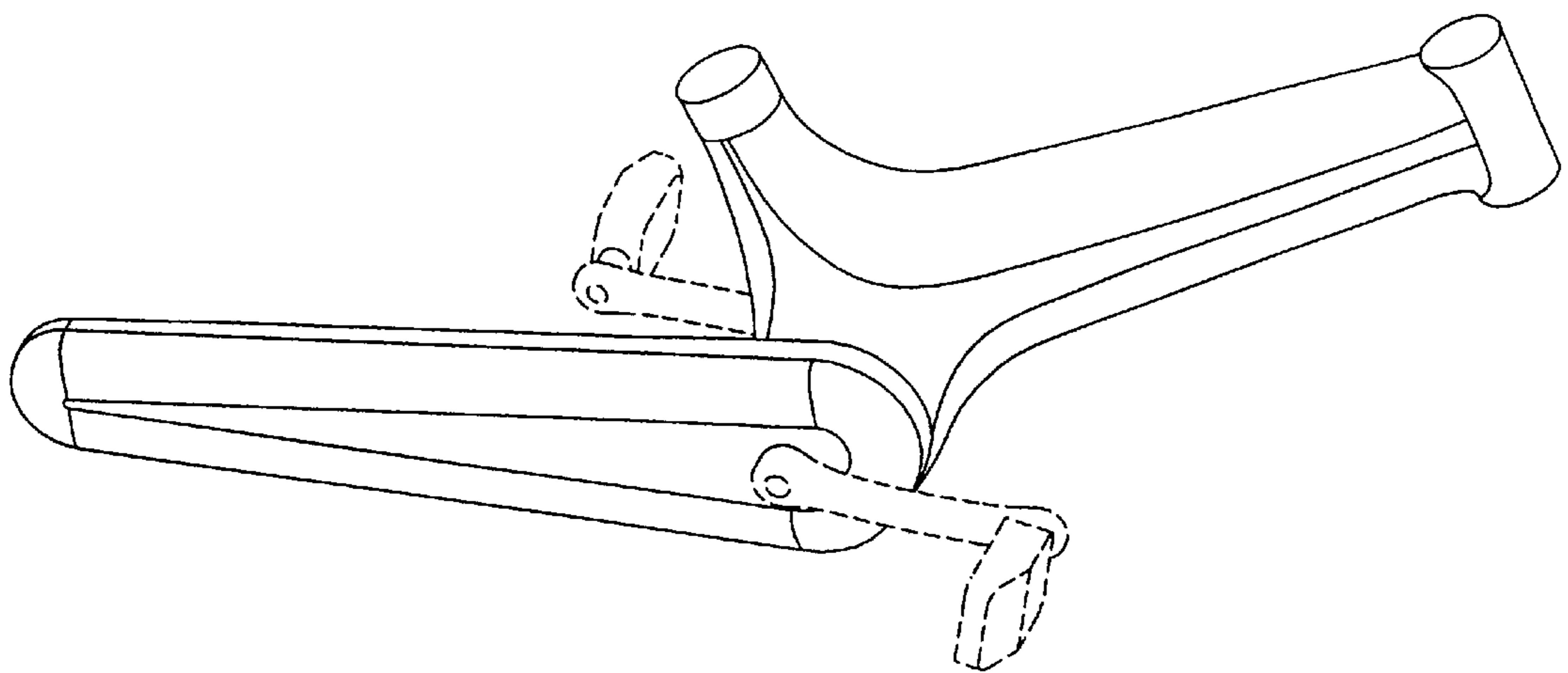


FIG. 2