



US00D479493S

(12) **United States Design Patent**
Shin

(10) **Patent No.:** **US D479,493 S**

(45) **Date of Patent:** **** Sep. 9, 2003**

(54) **BICYCLE**

D299,121 S * 12/1988 Oh D12/111

(76) Inventor: **Jong Rak Shin**, 7815 Palacios Dr.,
Austin, TX (US) 78749

* cited by examiner

(**) Term: **14 Years**

Primary Examiner—Alan P. Douglas

Assistant Examiner—Linda Brooks

(74) *Attorney, Agent, or Firm*—Birch, Stewart, Kolasch &
Birch, LLP

(21) Appl. No.: **29/162,549**

(22) Filed: **Jun. 19, 2002**

(57) **CLAIM**

(30) **Foreign Application Priority Data**

The ornamental design for a bicycle, substantially as shown
and described.

Jan. 21, 2002 (KR) 2002-0001968

DESCRIPTION

(51) **LOC (7) Cl.** **12-11**

FIG. 1 is a perspective view of the bicycle showing my new
design;

(52) **U.S. Cl.** **D12/111**

FIG. 2 is a front elevational view thereof;

(58) **Field of Search** D12/111; 280/281.1,
280/274-280, 284-287, 288.1-288.3

FIG. 3 is a rear elevational view thereof;

FIG. 4 is a right side elevational view thereof;

FIG. 5 is a left side elevational view thereof;

FIG. 6 is a top plan view thereof; and,

FIG. 7 is a bottom plan view thereof.

(56) **References Cited**

U.S. PATENT DOCUMENTS

3,802,721 A * 4/1974 Hubbard 280/287

D291,873 S * 9/1987 Koyama D12/111

1 Claim, 3 Drawing Sheets

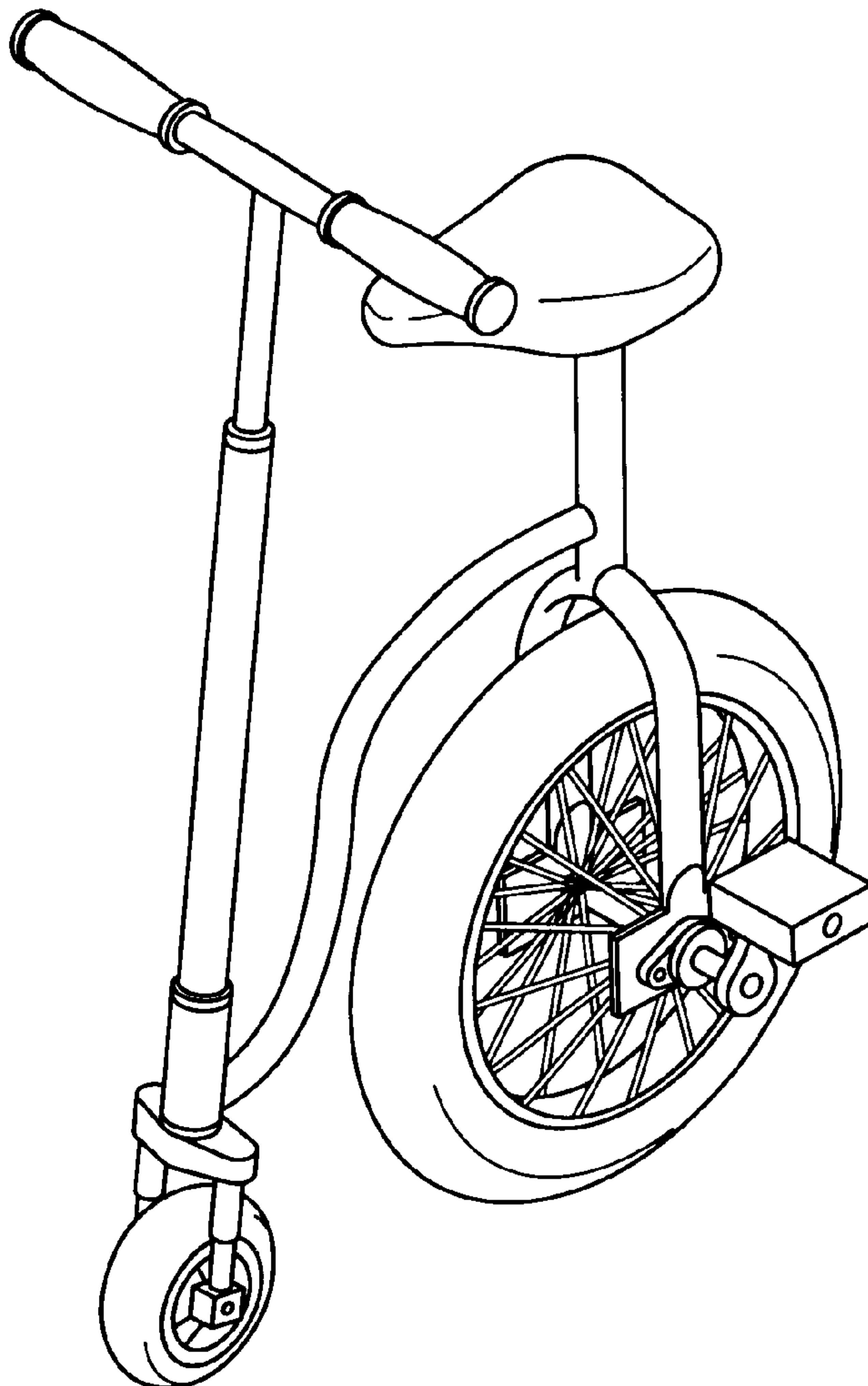


FIG.1

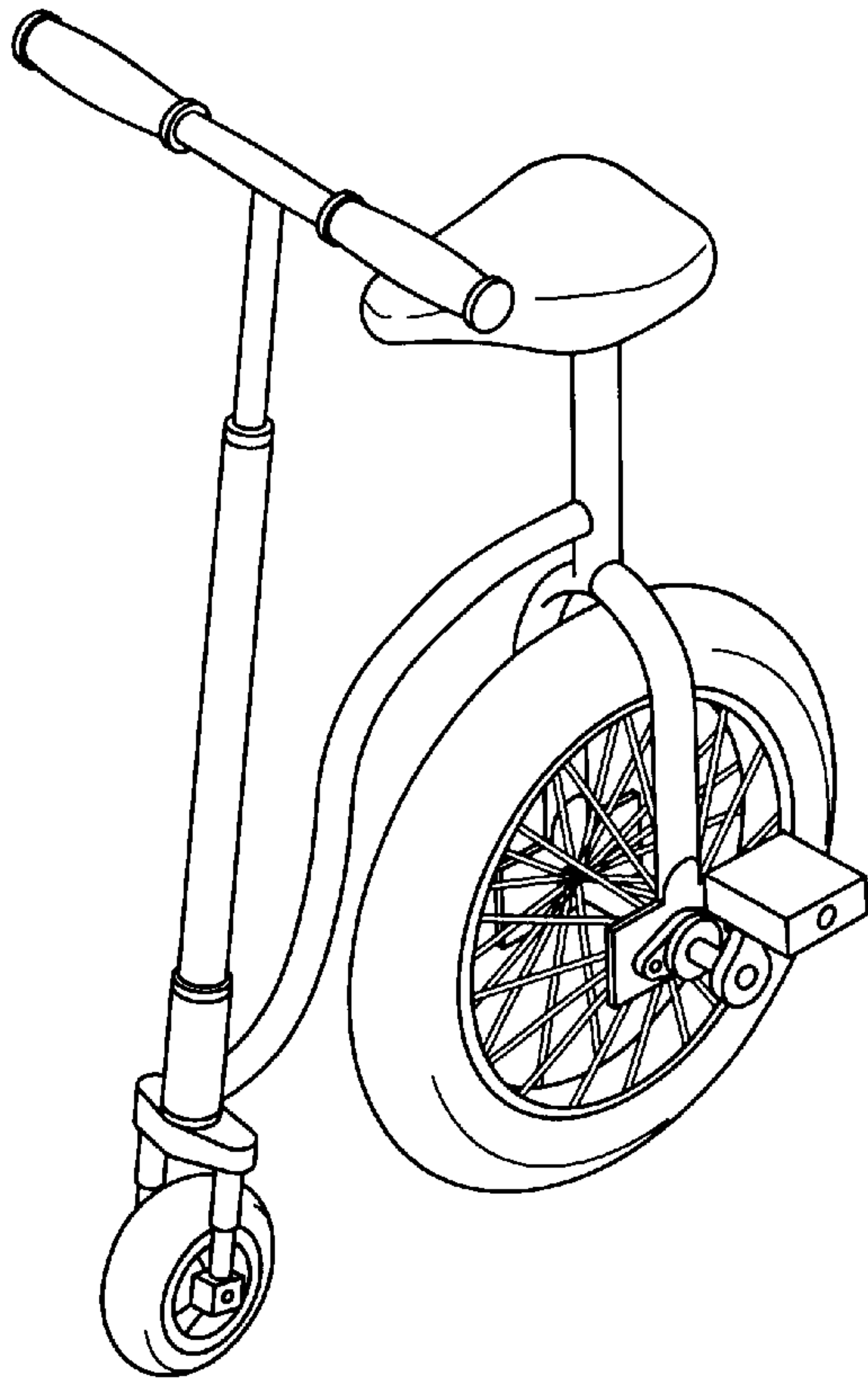


FIG.2

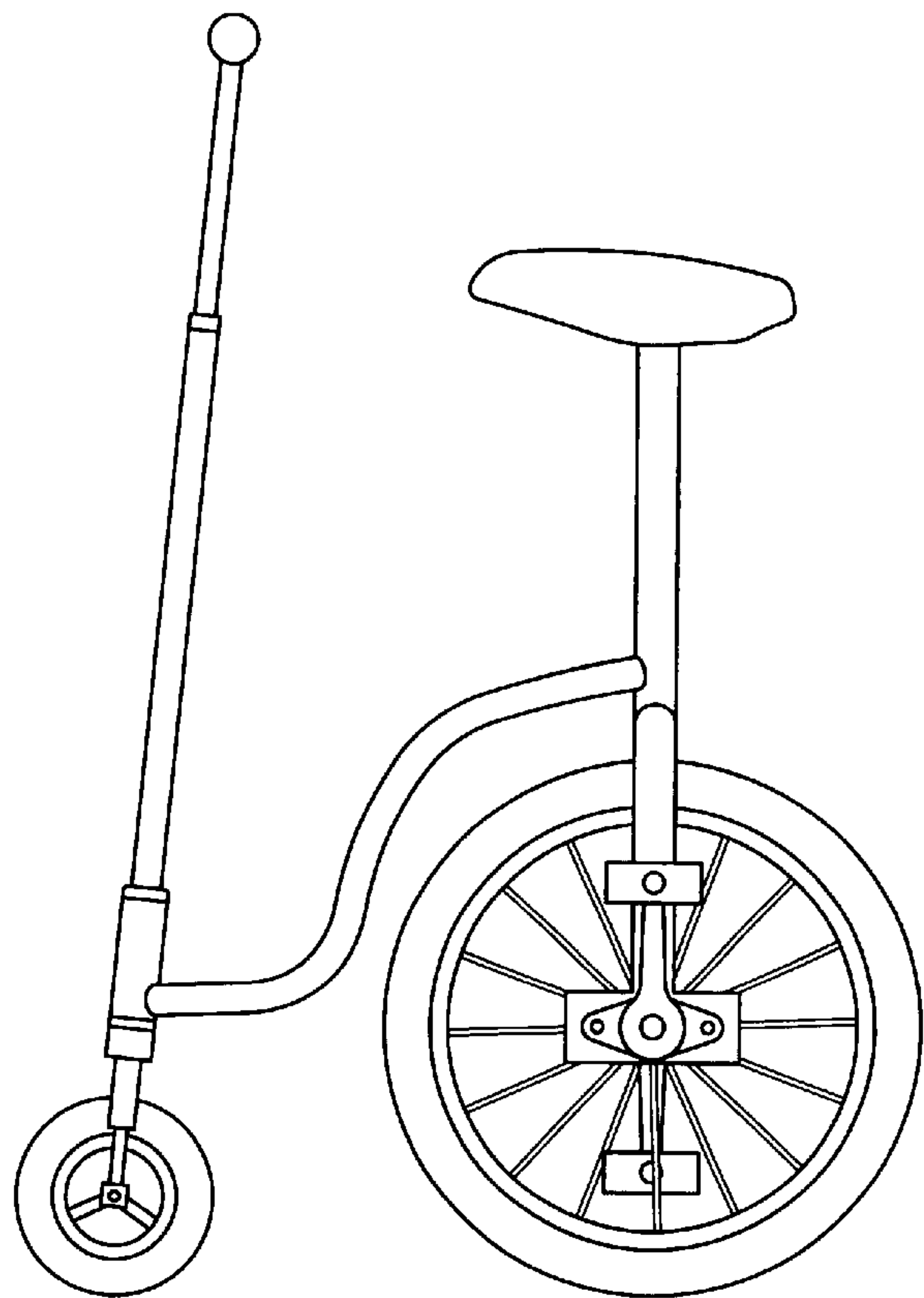


FIG.3

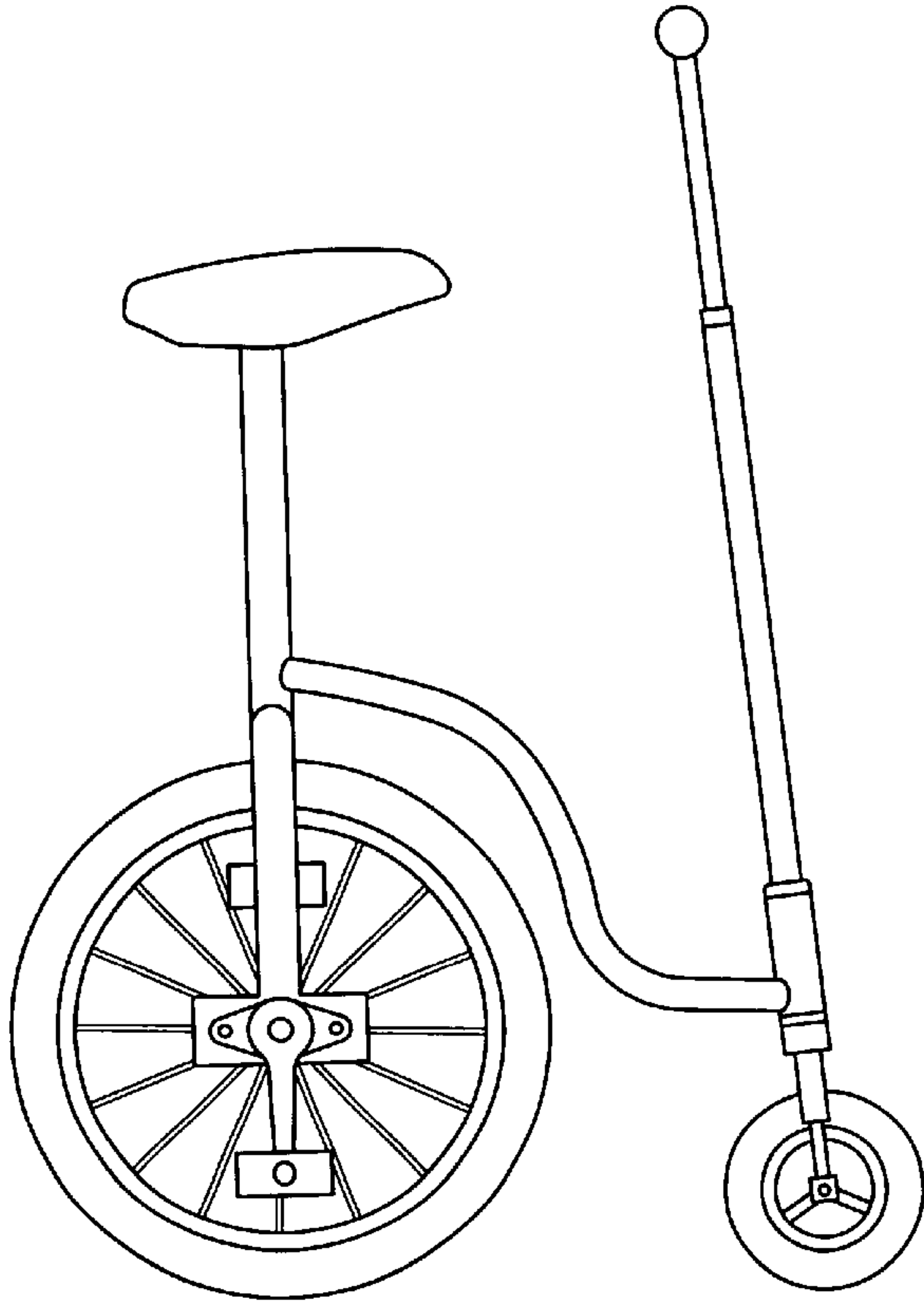


FIG.4

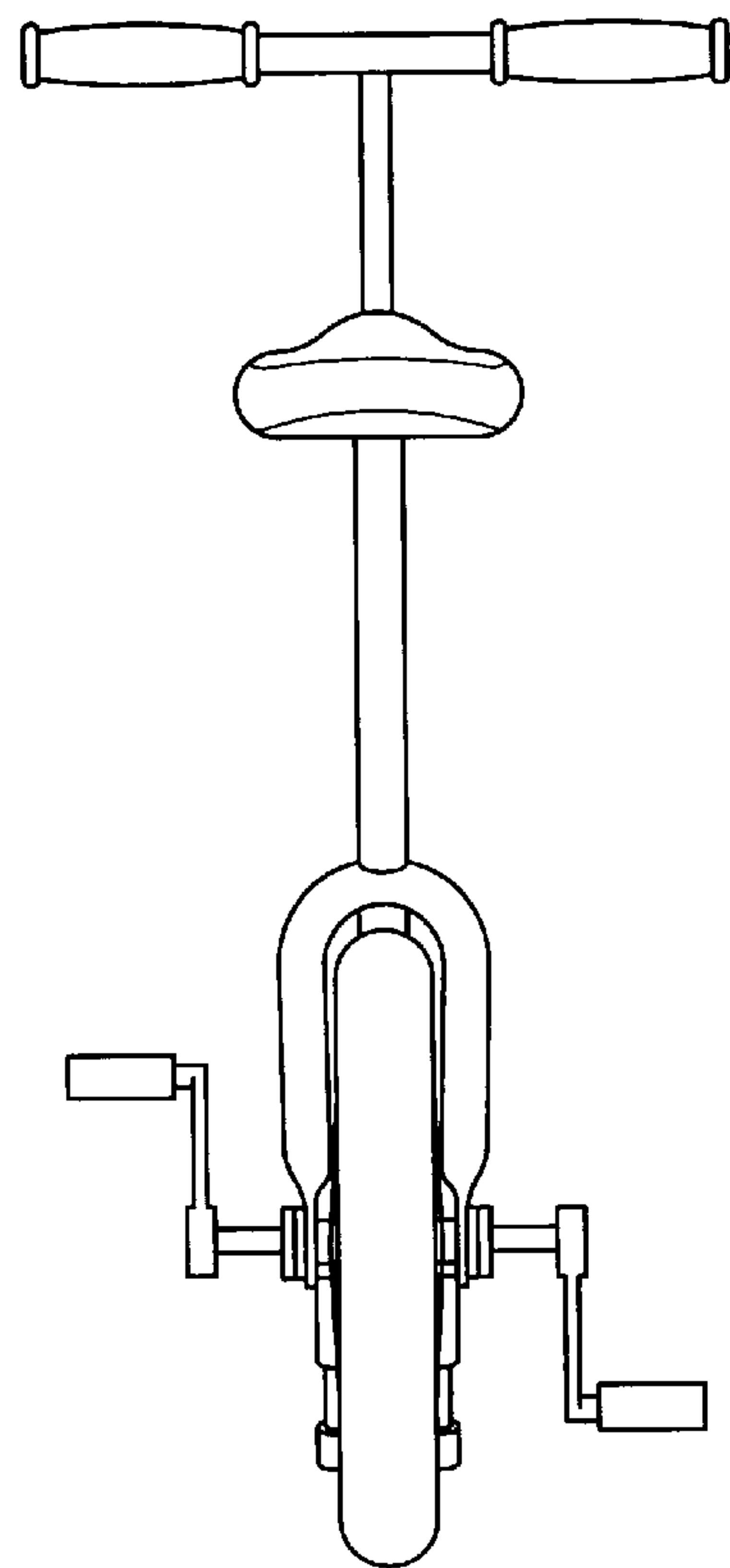


FIG.5

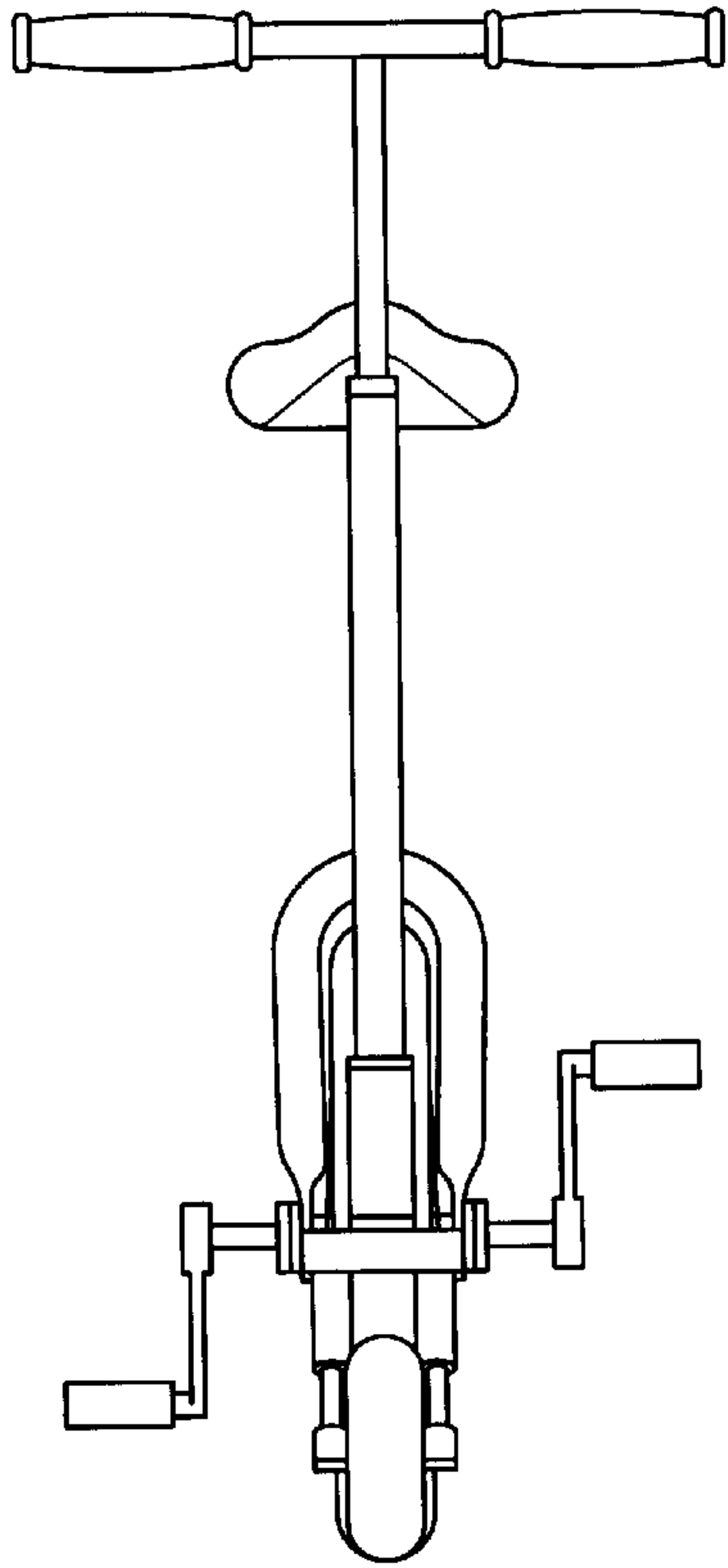


FIG.6

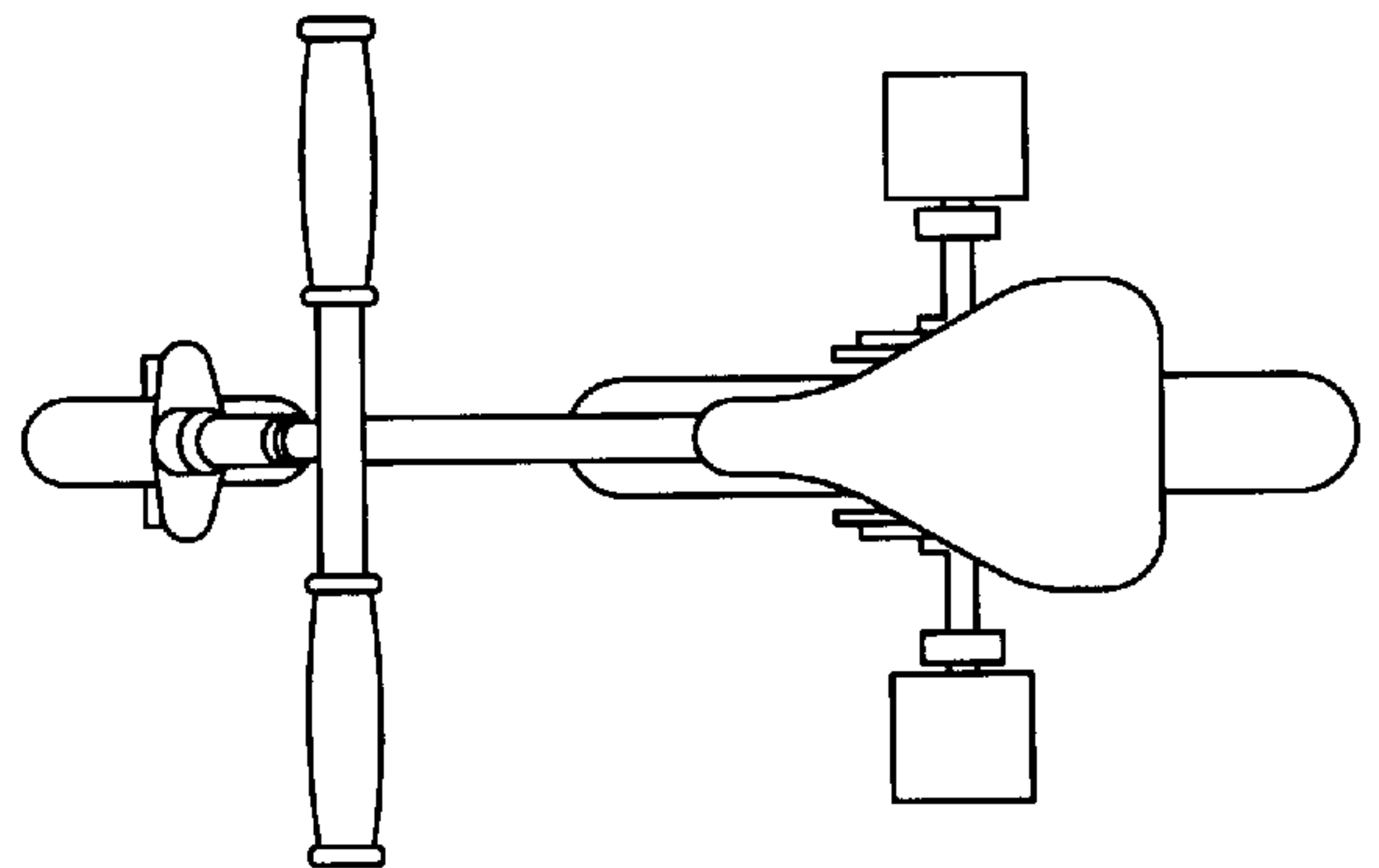


FIG.7

