



US00D479492S

(12) **United States Design Patent**  
**Gale et al.**

(10) **Patent No.:** **US D479,492 S**

(45) **Date of Patent:** **\*\* Sep. 9, 2003**

(54) **AUTOMOBILE BODY**

(75) Inventors: **Jeff C Gale**, Birmingham, MI (US);  
**Robert B McMahan**, Bloomfield Hills,  
MI (US); **Norman Kleiner**, Otisville,  
MI (US); **Gary D Guichard**,  
Farmington Hills, MI (US); **Ralph V  
Gilles**, Lake Orion, MI (US)

(73) Assignee: **DaimlerChrysler Corporation**, Auburn  
Hills, MI (US)

(\*\*) Term: **14 Years**

(21) Appl. No.: **29/173,050**

(22) Filed: **Dec. 20, 2002**

(51) **LOC (7) Cl.** ..... **12-08**

(52) **U.S. Cl.** ..... **D12/91**

(58) **Field of Search** ..... D12/90-92, 86;  
296/185

(56) **References Cited**

**U.S. PATENT DOCUMENTS**

D454,521 S \* 3/2002 Allen ..... D12/91

D466,053 S \* 11/2002 O'Connell et al. .... D12/91

D466,443 S \* 12/2002 Faurote et al. .... D12/91

D466,451 S \* 12/2002 Trostle et al. .... D12/98

\* cited by examiner

*Primary Examiner*—Melody N. Brown

(74) *Attorney, Agent, or Firm*—Ralph E. Smith

(57) **CLAIM**

The ornamental design for an automobile body, as shown  
and described.

**DESCRIPTION**

FIG. 1 is a front perspective view of an automobile body  
showing our new design;

FIG. 2 is a back perspective view thereof;

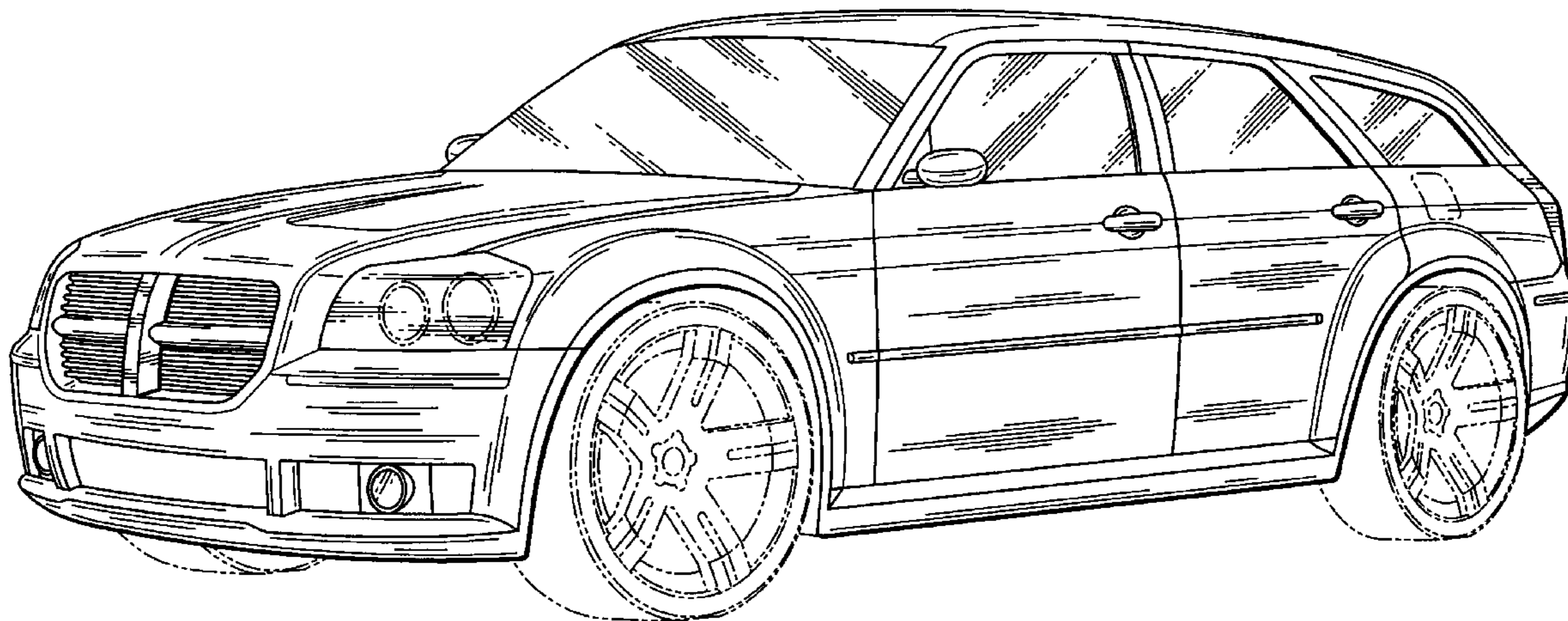
FIG. 3 is a side view thereof;

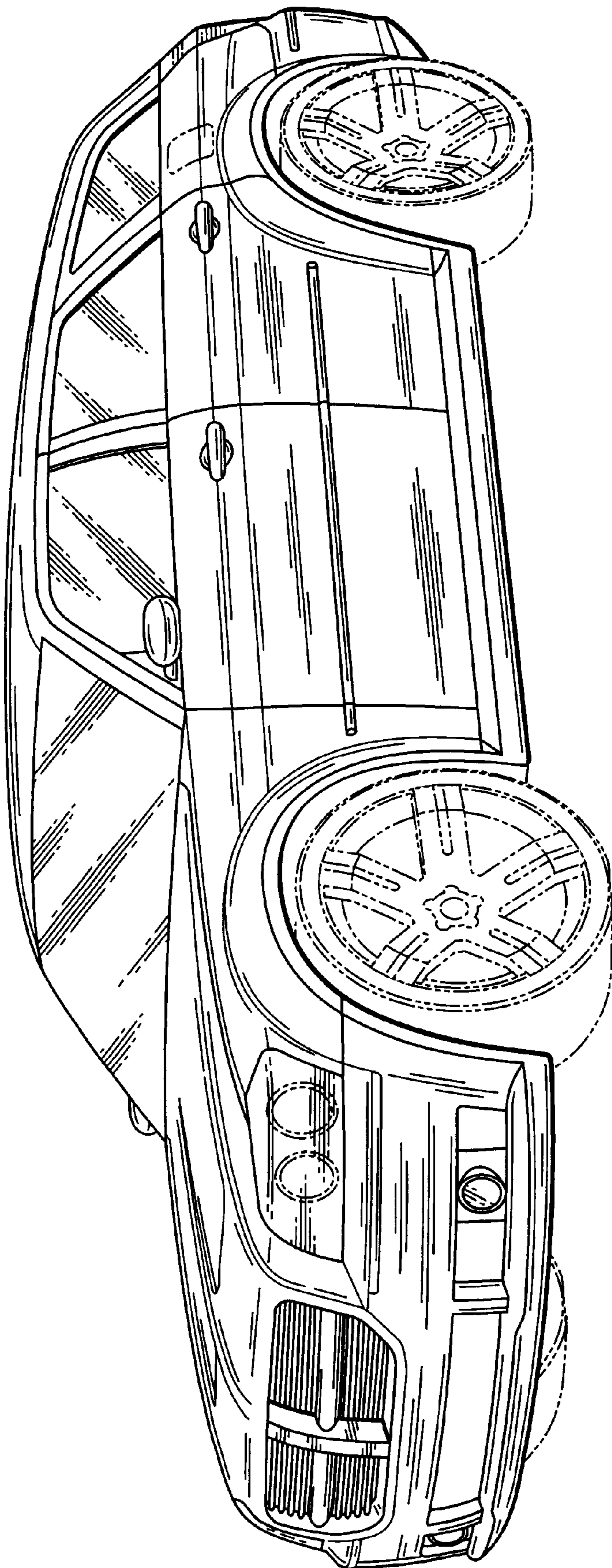
FIG. 4 is a front view thereof; and,

FIG. 5 is a rear view thereof.

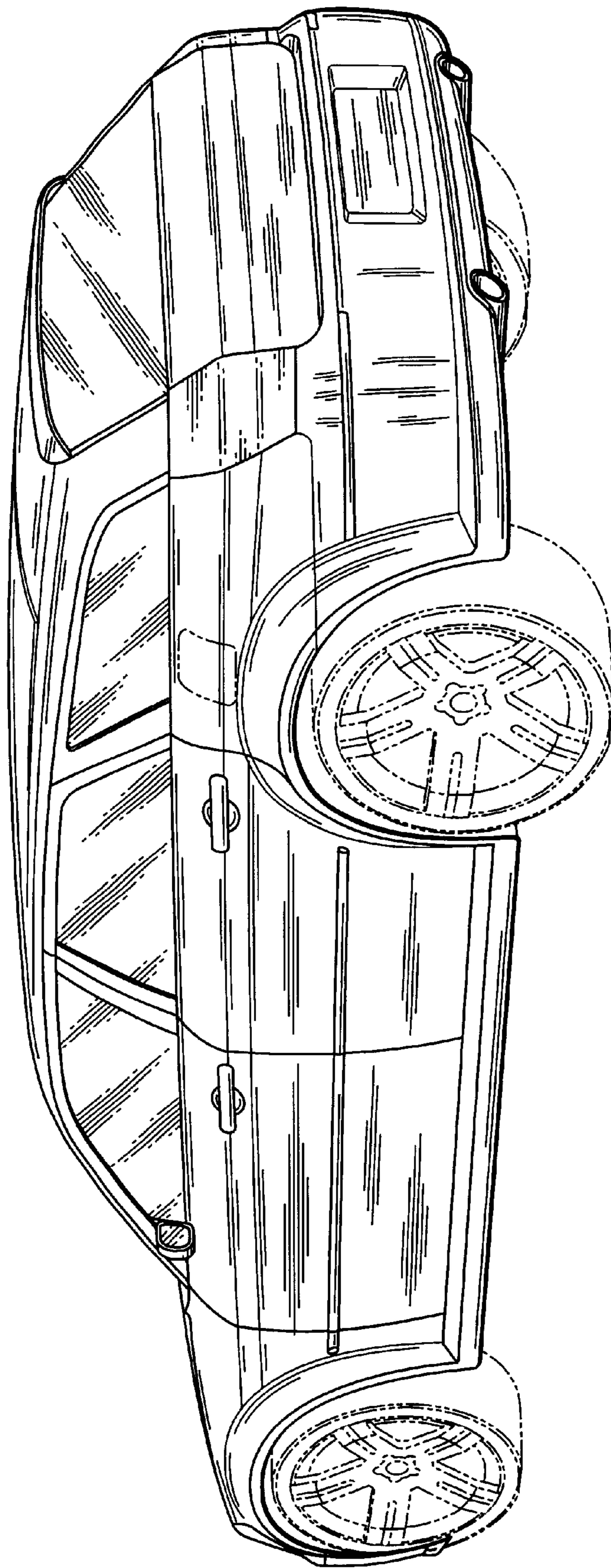
It will be understood that the roof of the automobile body is  
plain and unornamental, and further that broken lines pre-  
sented in the drawings are for illustration only, and do not  
form a part of the claimed design.

**1 Claim, 5 Drawing Sheets**

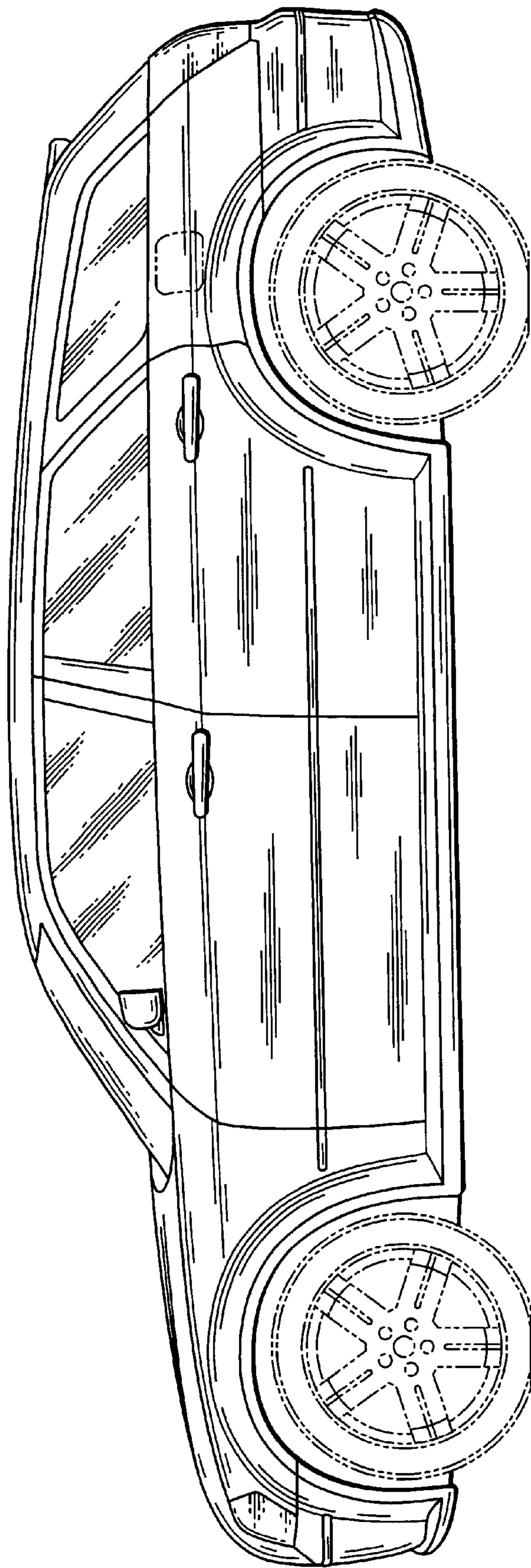




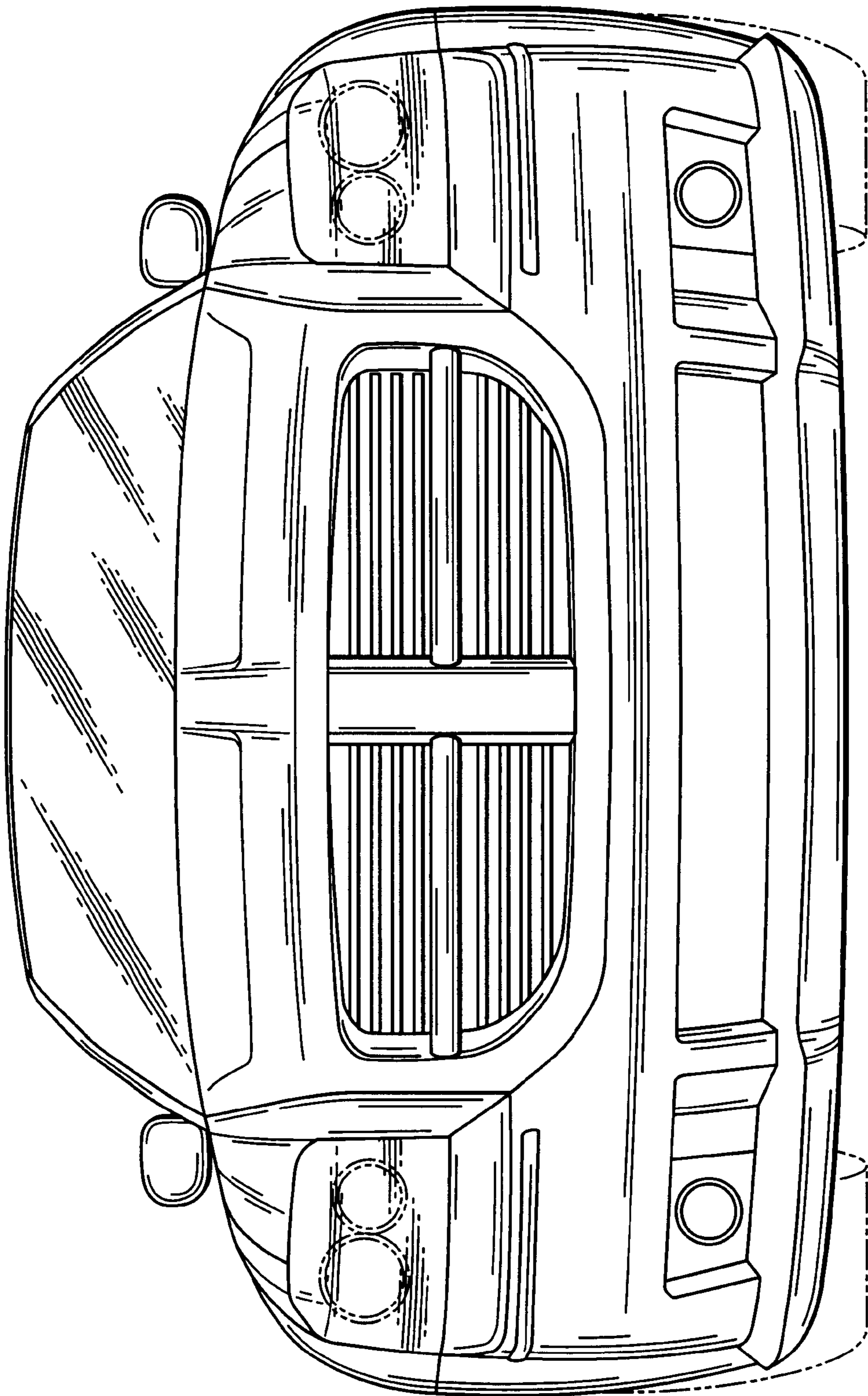
*Fig. 1*



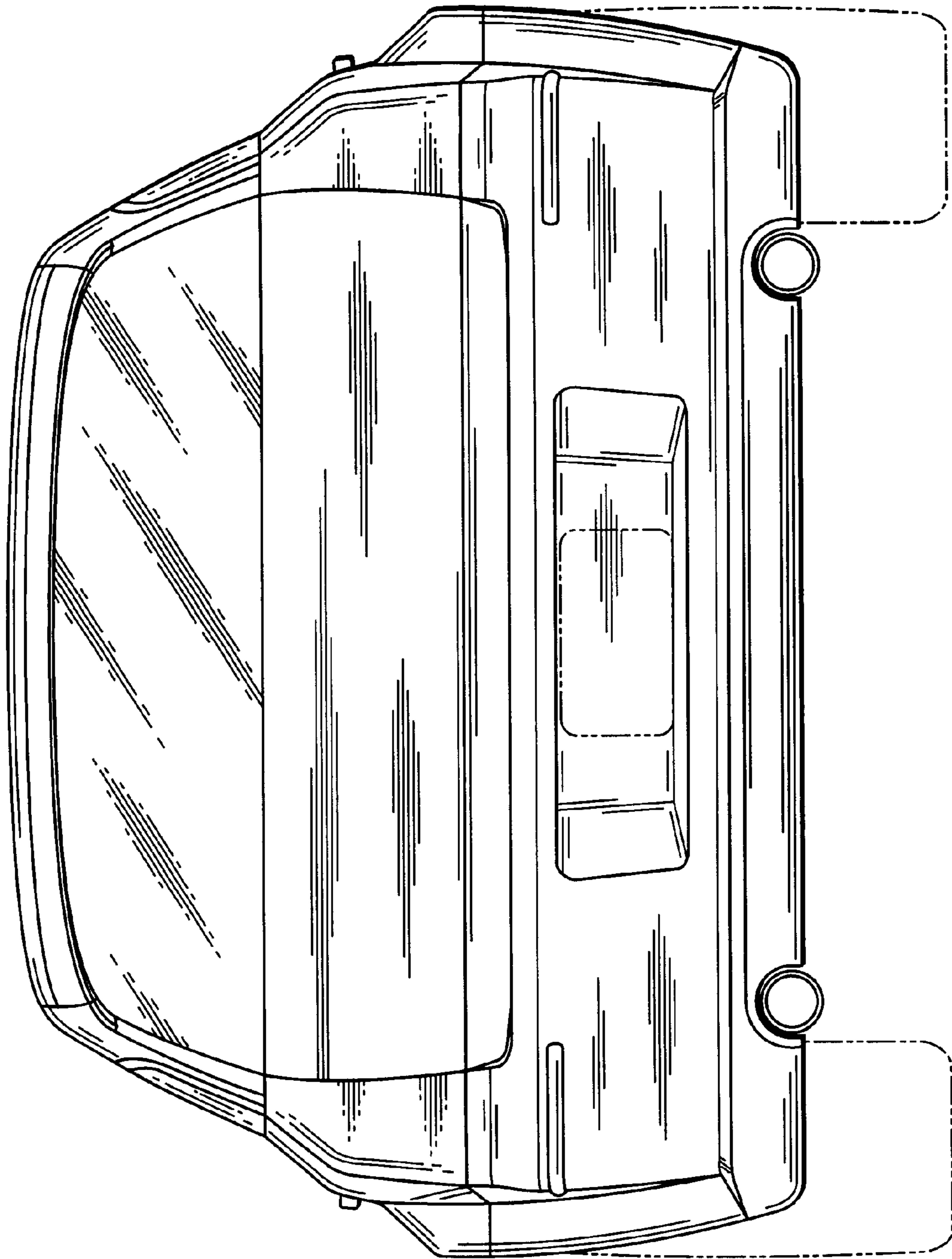
*Fig. 2*



*Fig. 3*



*Fig. 4*



*Fig. 5*