



US00D479490S

(12) **United States Design Patent**
Cadotte et al.

(10) **Patent No.:** **US D479,490 S**

(45) **Date of Patent:** **** Sep. 9, 2003**

(54) **SNOW FLAP FOR A SNOWMOBILE**

(75) Inventors: **Germain Cadotte**, St-Elie d'Orford (CA); **Bruno Girouard**, Montreal (CA); **Emmanuel Rius**, Maison Laffitte (FR)

D314,535 S 2/1991 Matsue D12/7
D342,044 S 12/1993 Hornai D12/7
D438,821 S 3/2001 Cadotte et al. D12/7
6,234,263 B1 5/2001 Boivin et al. 180/184
6,234,286 B1 5/2001 Feldberg 188/379
6,491,125 B2 * 12/2002 Girouard et al. 180/190

(73) Assignee: **Bombardier Inc.**, Valcourt (CA)

(**) Term: **14 Years**

(21) Appl. No.: **29/160,998**

(22) Filed: **May 20, 2002**

Related U.S. Application Data

(63) Continuation-in-part of application No. 29/139,885, filed on Apr. 9, 2001.

(51) **LOC (7) Cl.** **12-13**

(52) **U.S. Cl.** **D12/7; D12/184; D12/185**

(58) **Field of Search** **D12/7, 184-5; 180/182, 186, 190, 193-194; 280/845; D21/533**

(56) **References Cited**

U.S. PATENT DOCUMENTS

D228,754 S 10/1973 Mango D12/7
D229,302 S * 11/1973 Scott D12/173
D229,490 S * 12/1973 Scott D12/173
D239,164 S 3/1976 Smith et al. D12/7
D264,830 S 6/1982 Ishiyama D12/7
4,418,782 A * 12/1983 Nakazima 180/190
D273,185 S 3/1984 Ishiyama D12/7
D278,892 S 5/1985 Kobayashi D12/7
4,779,695 A * 10/1988 Yasui 180/190

OTHER PUBLICATIONS

www.yamaha-motor.com 2003 RX-1 Photo gallery-rear perspective view. On the Web.*

www.ski-doo.com . Parts-seat cover/ski flap. Xteam XDT. On the Web.*

* cited by examiner

Primary Examiner—Nelson C. Holtje

(74) *Attorney, Agent, or Firm*—Pillsbury Winthrop LLP

(57) **CLAIM**

The ornamental design for a snow flap for a snowmobile, as shown and described.

DESCRIPTION

FIG. 1 is a left-rear perspective view of a snow flap for a snowmobile showing our new design;

FIG. 2 is a rear elevational view thereof;

FIG. 3 is a front elevational view thereof;

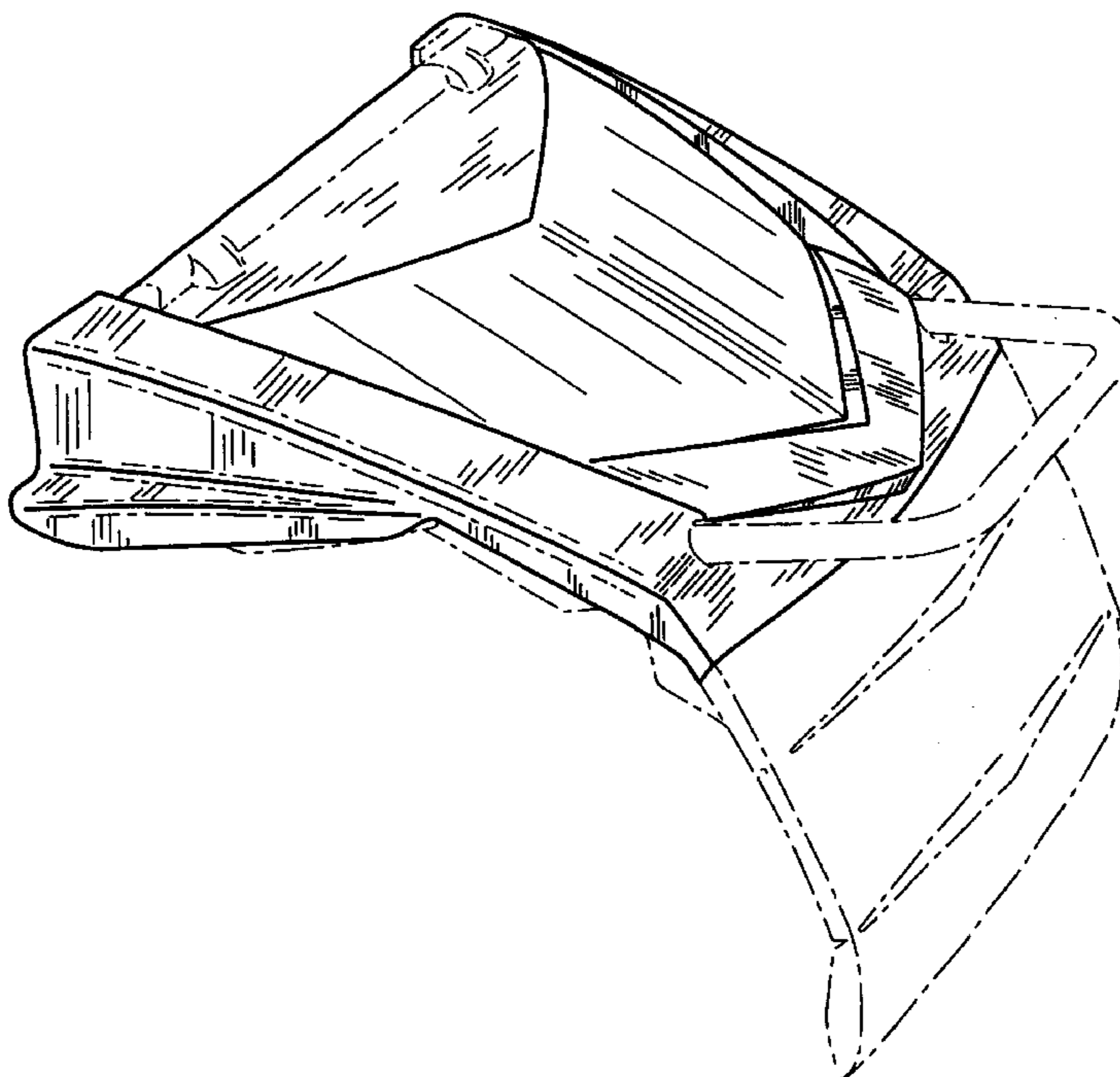
FIG. 4 is a right side elevational view thereof, the left side being a mirror image;

FIG. 5 is a top plan view thereof; and,

FIG. 6 is a bottom plan view thereof.

The broken line showing of portions of the snow flap is for illustrative purposes only and forms no part of the claimed design.

1 Claim, 6 Drawing Sheets



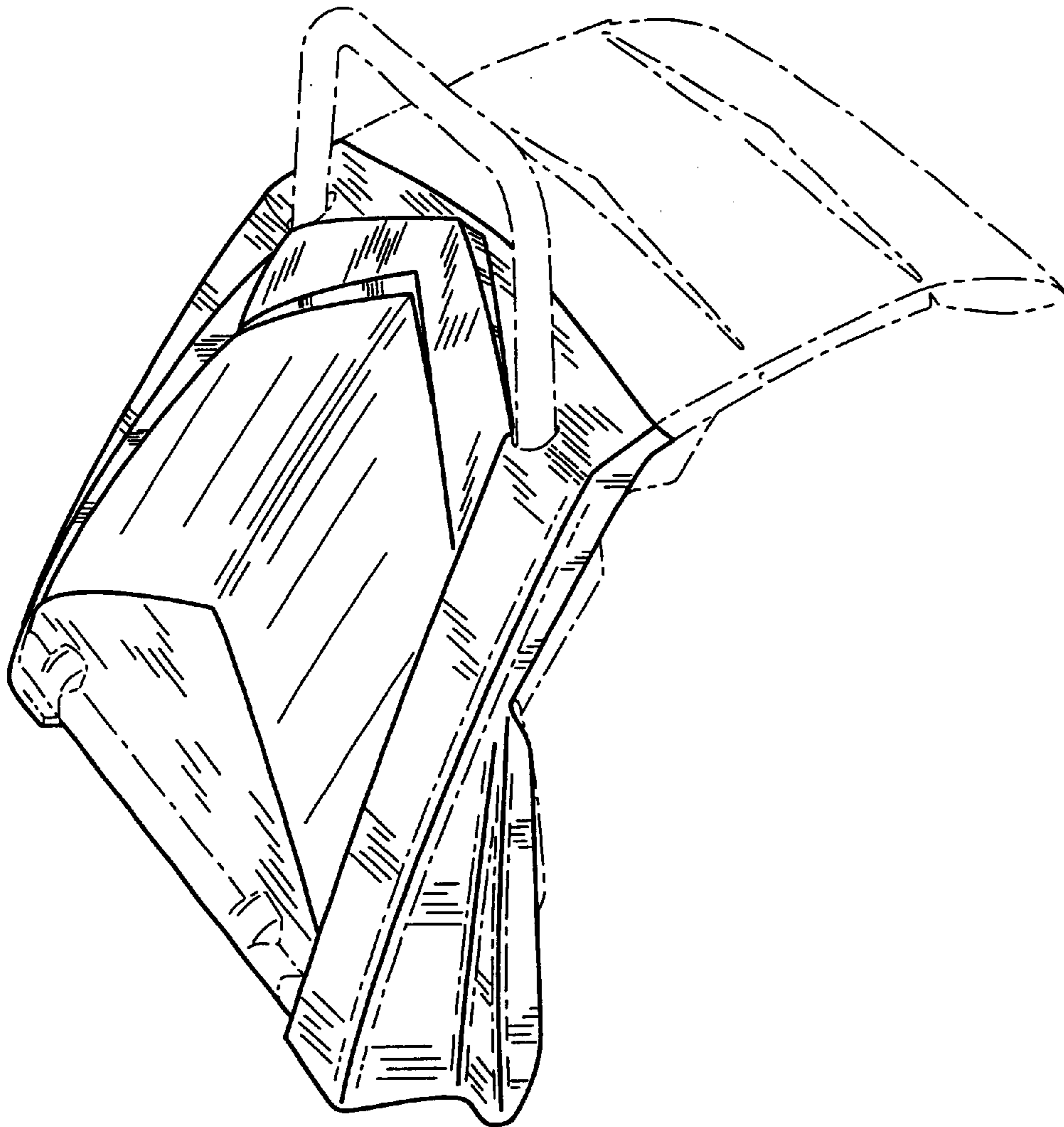


FIG. 1

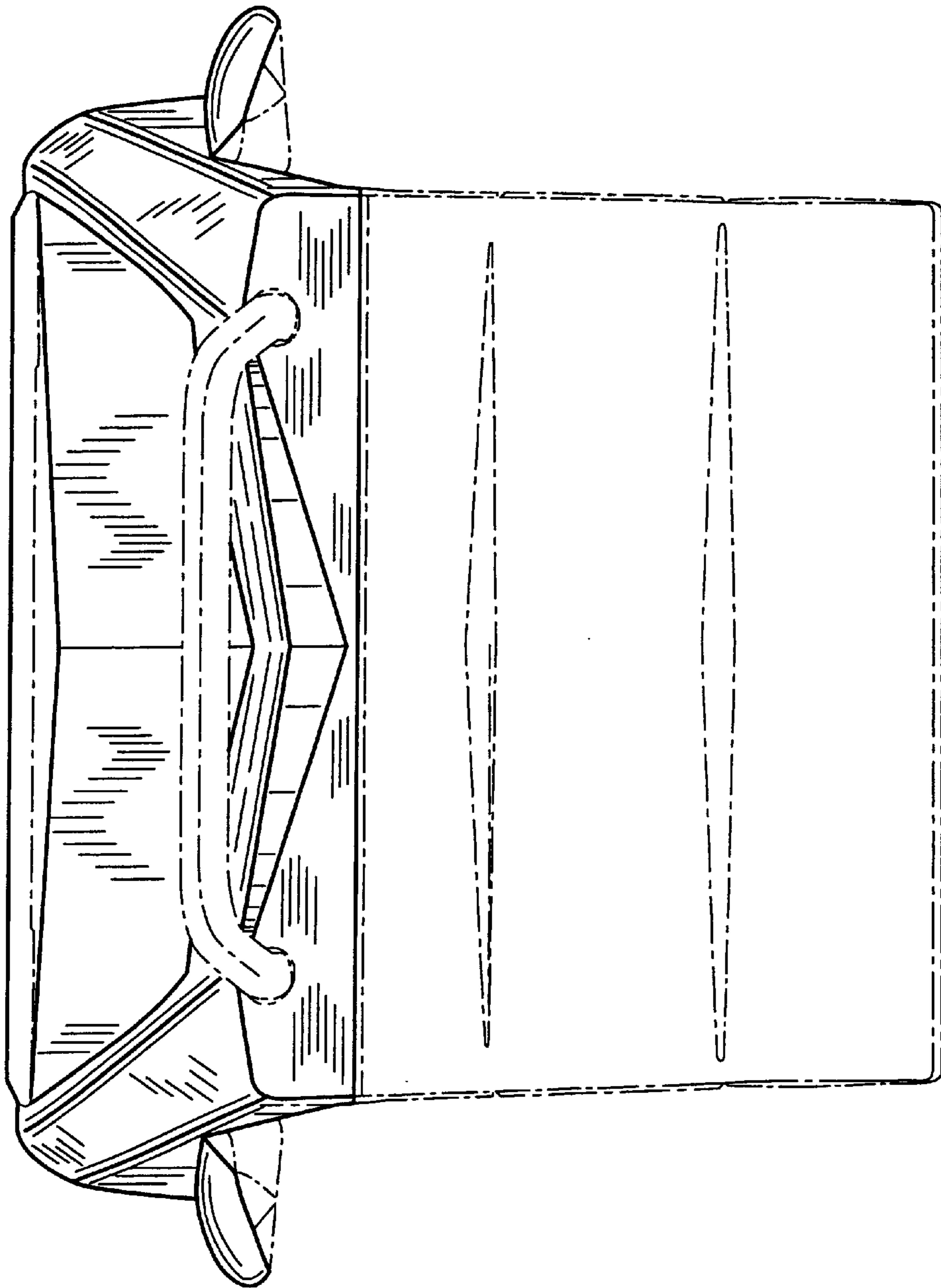


FIG. 2

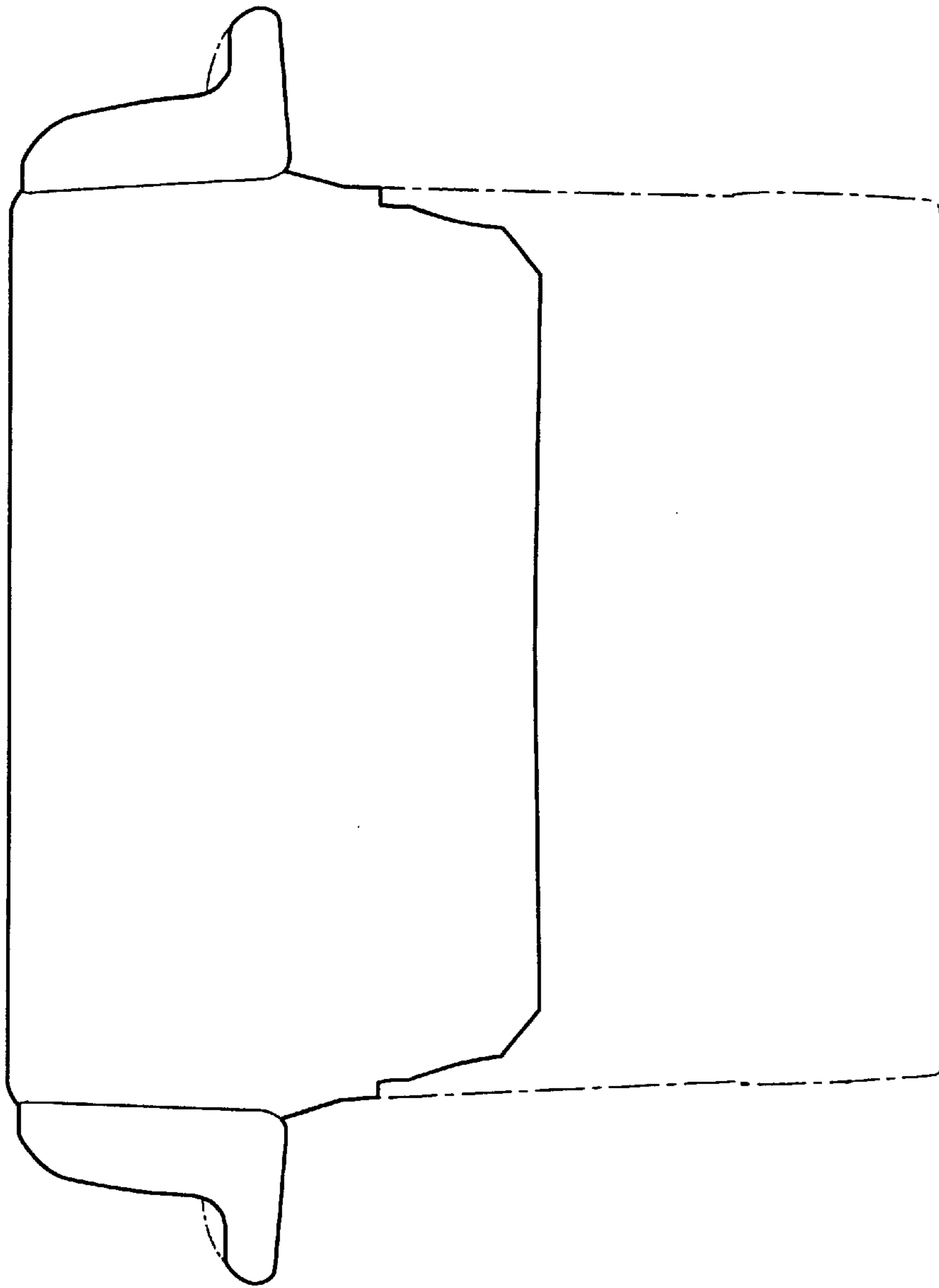


FIG. 3

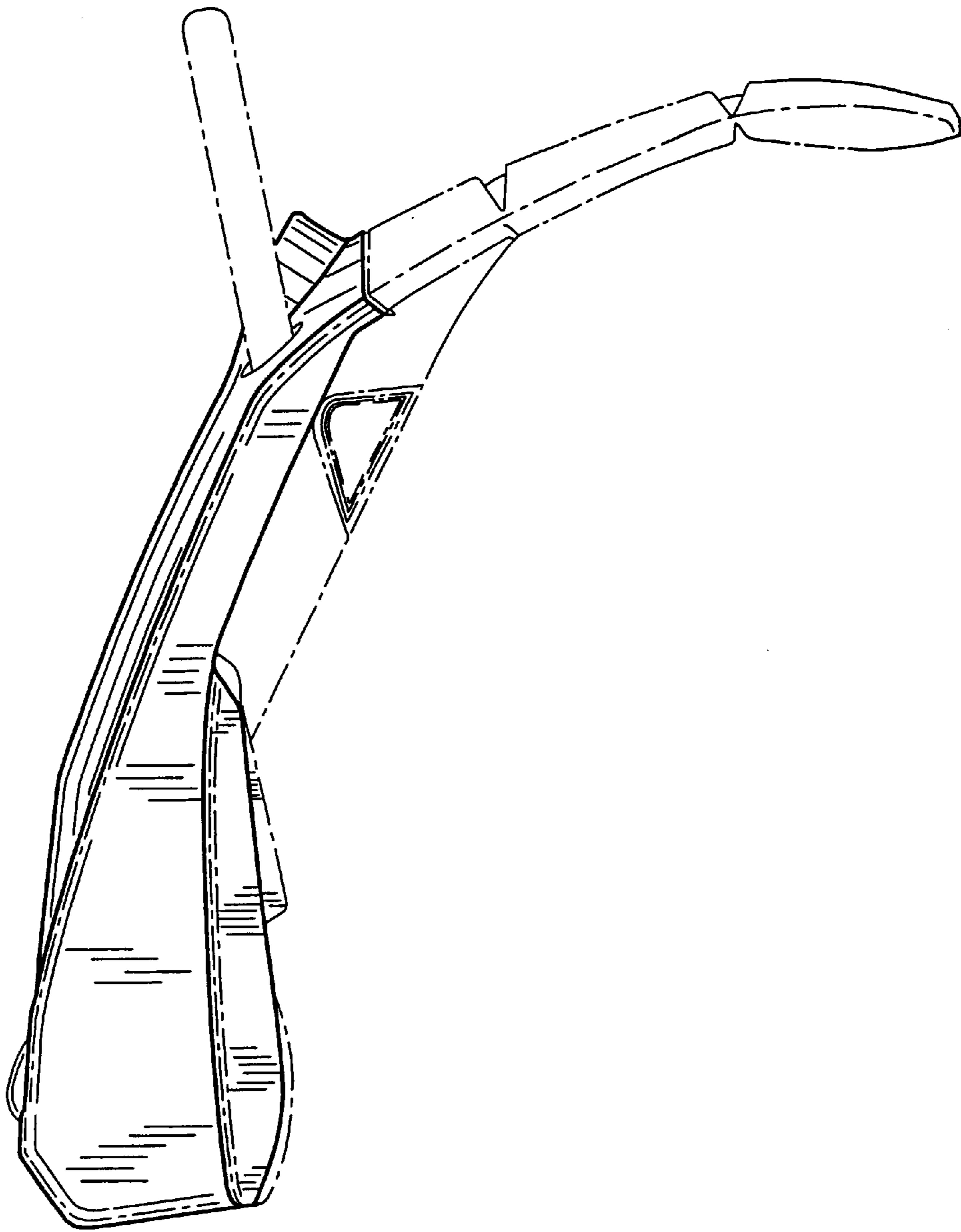


FIG. 4

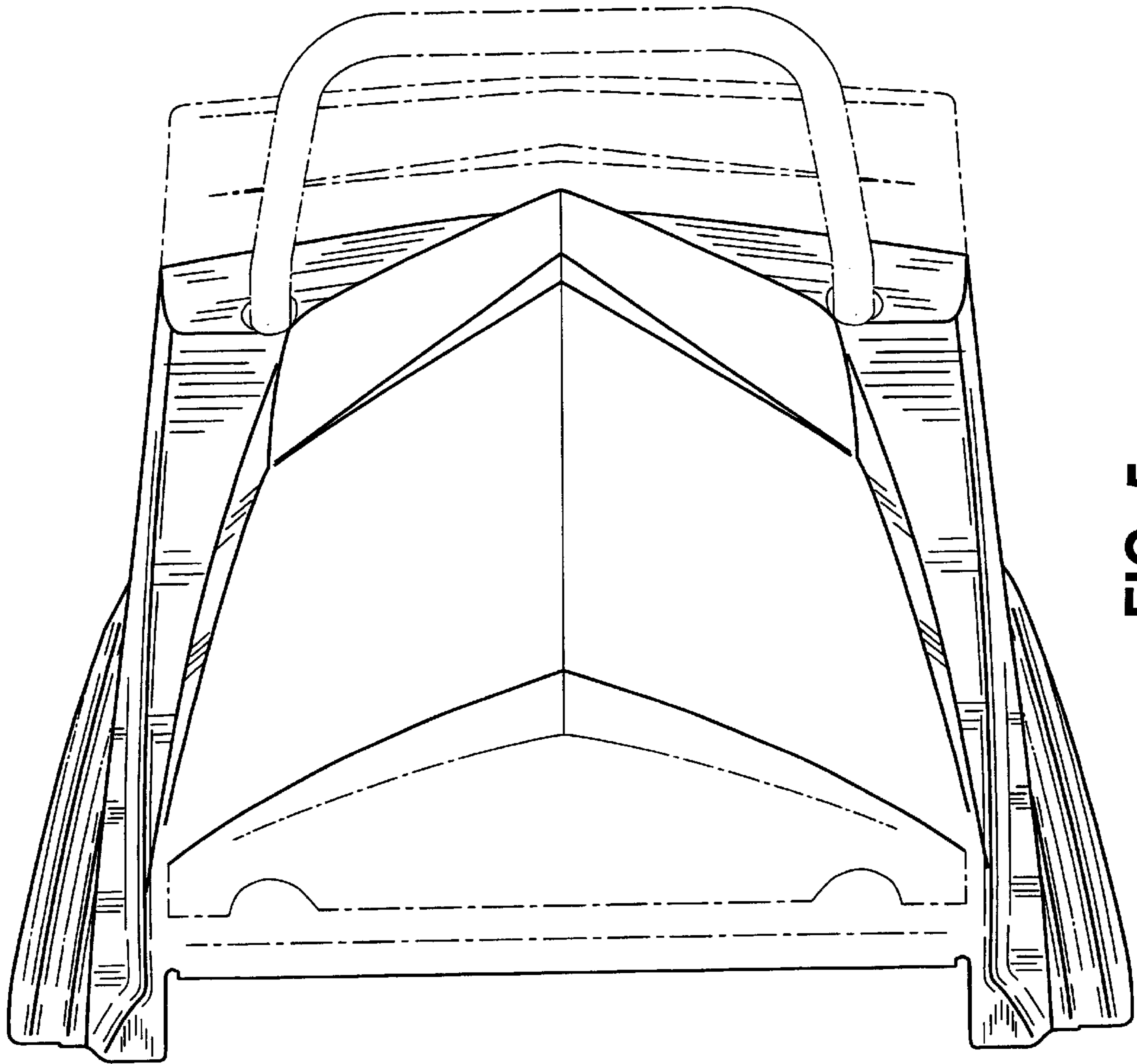


FIG. 5

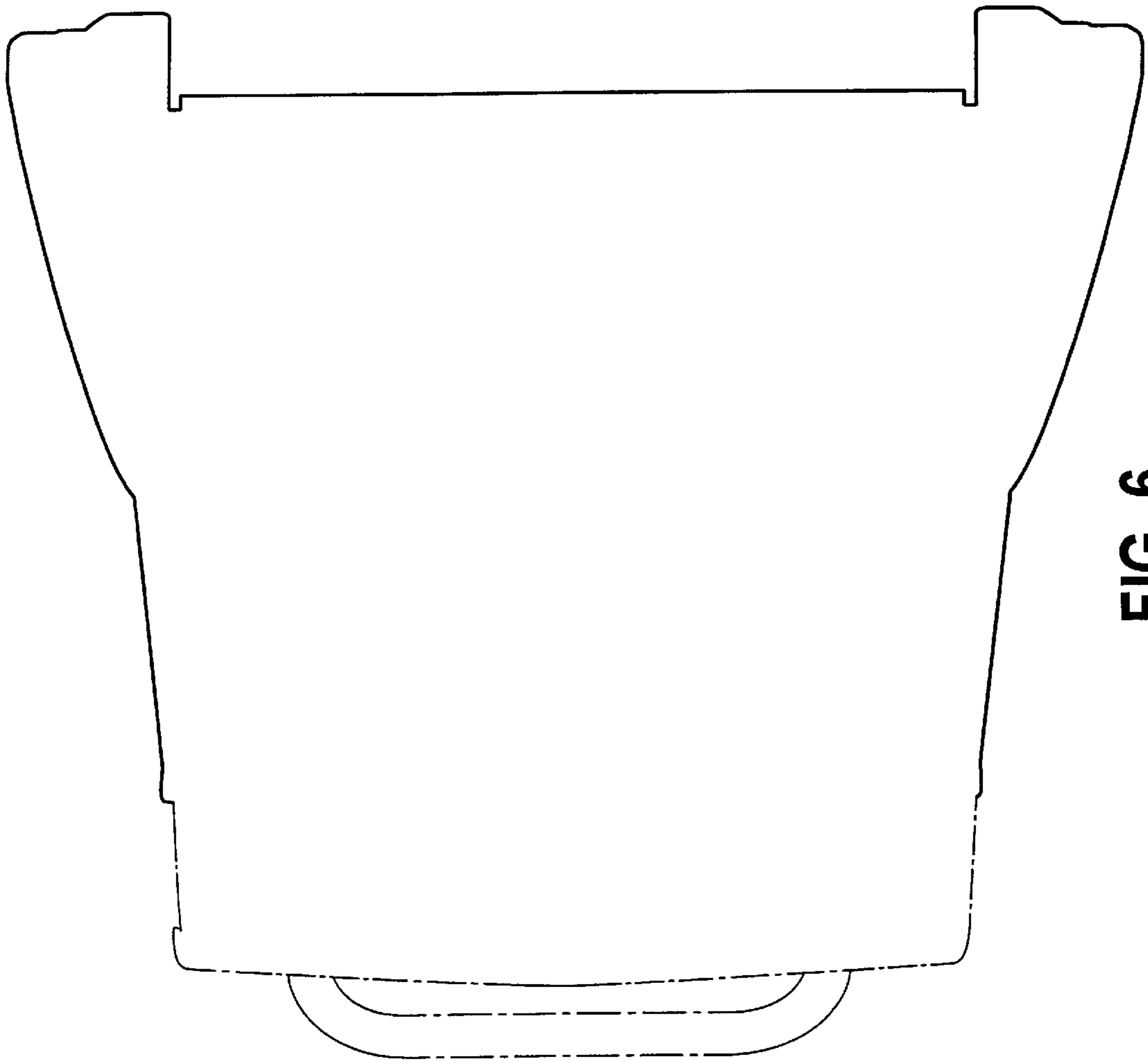


FIG. 6