



US00D479488S

(12) **United States Design Patent**  
**Stewart-Stand**

(10) **Patent No.:** **US D479,488 S**

(45) **Date of Patent:** **\*\* Sep. 9, 2003**

(54) **CUFFLINK**

(76) **Inventor:** **Theo A. Stewart-Stand**, 230 Park Pl.,  
Apt. 3H, Brooklyn, NY (US) 11238

(\*\*) **Term:** **14 Years**

(21) **Appl. No.:** **29/171,481**

(22) **Filed:** **Nov. 22, 2002**

**Related U.S. Application Data**

(63) Continuation of application No. 09/829,338, filed on Apr. 9,  
2001, now abandoned.

(51) **LOC (7) Cl.** ..... **02-07**

(52) **U.S. Cl.** ..... **D11/226**

(58) **Field of Search** ..... D11/200, 226;  
24/100, 114.11, 368, 102 P, 102 FC, DIG. 9,  
102 R, 102 E

(56) **References Cited**

**U.S. PATENT DOCUMENTS**

1,017,865	A	*	2/1912	Gates	.....	24/102 FC
1,258,449	A	*	3/1918	Pejchar	.....	24/102 P
1,577,138	A	*	3/1926	Mays	.....	24/102 P
1,602,747	A	*	10/1926	Brown	.....	24/100
2,459,703	A	*	1/1949	Howard	.....	24/97
2,665,465	A	*	1/1954	Albrecht	.....	24/97
2,793,415	A	*	5/1957	Respini	.....	24/100

\* cited by examiner

*Primary Examiner*—Ralf Seifert

(74) *Attorney, Agent, or Firm*—Collard & Roe, P.C.

(57) **CLAIM**

The ornamental desin for a cufflink, as shown and described.

**DESCRIPTION**

FIG. 1 is a perspective view of my design for a cufflink according to the invention;

FIG. 2 shows a side view thereof, with the opposite side view being identical;

FIG. 3 shows a front view thereof, with the rear view being identical;

FIG. 4 shows a bottom view thereof, with the top view being identical;

FIG. 5 shows a perspective view of an alternate embodiment of my design for a cufflink according to the invention;

FIG. 6 shows a side view of the alternate embodiment, with the opposite side view being identical;

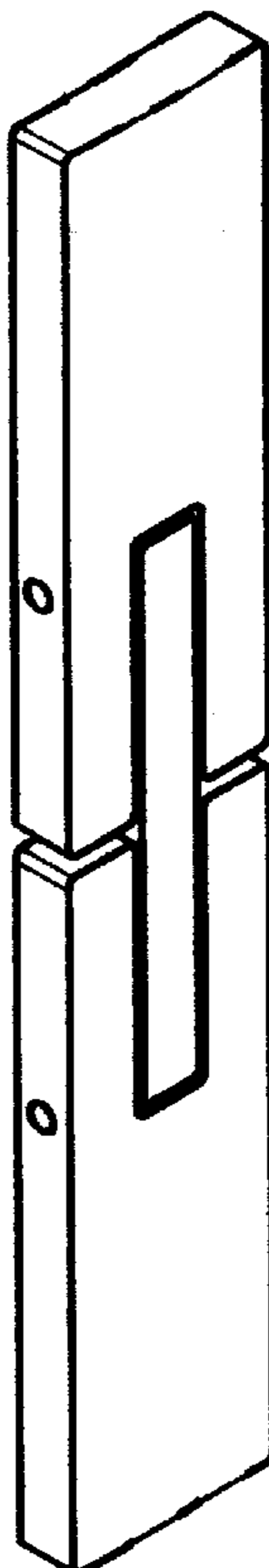
FIG. 7 shows a front view of the alternate embodiment, with the rear view being identical;

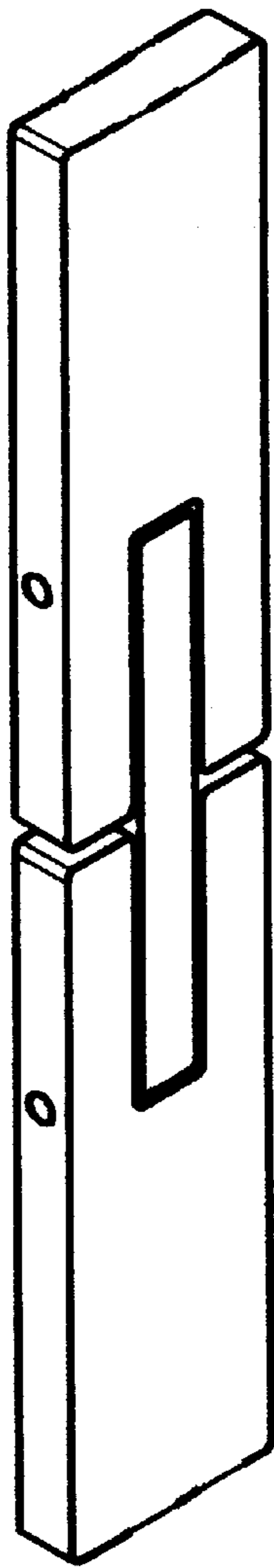
FIG. 8 shows a bottom view of the alternate embodiment, with the top view being identical; and,

FIG. 9 shows a side view of my design for a cufflink in a bended position and in use in a cuff of a shirt.

It being understood that the broken lines are for illustrative purposes only.

**1 Claim, 2 Drawing Sheets**

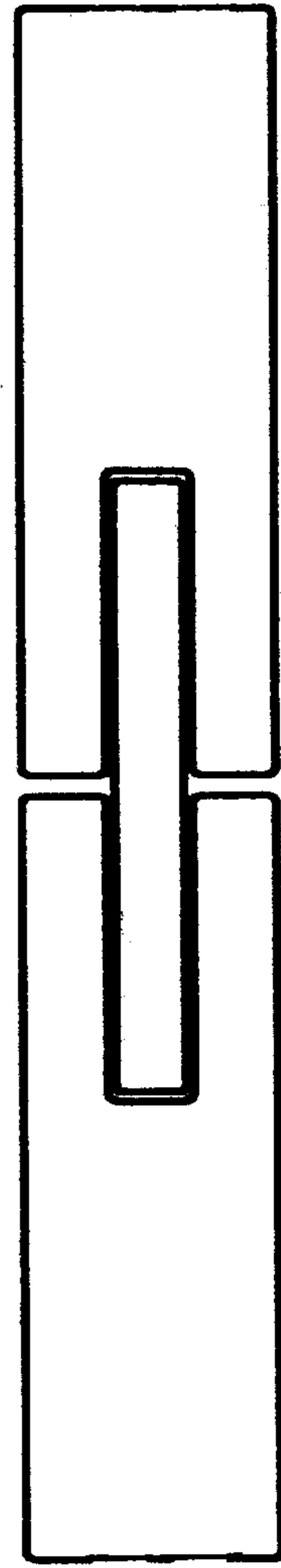




**FIG. 1**



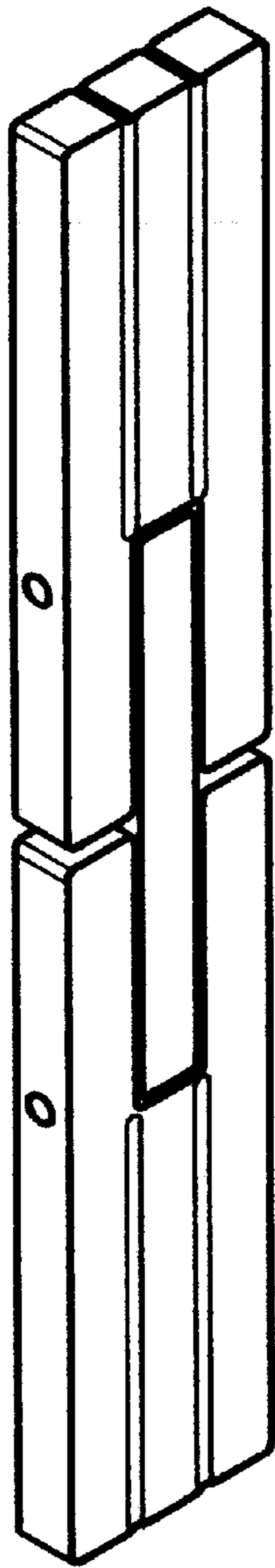
**FIG. 2**



**FIG. 3**



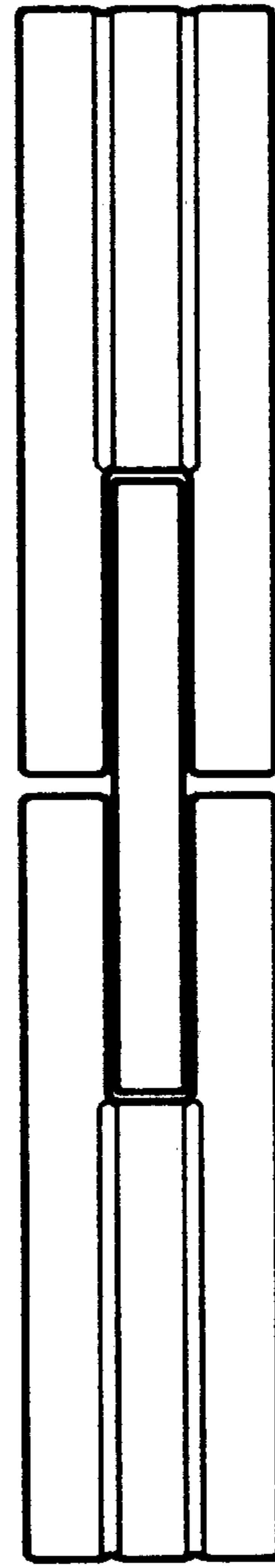
**FIG. 4**



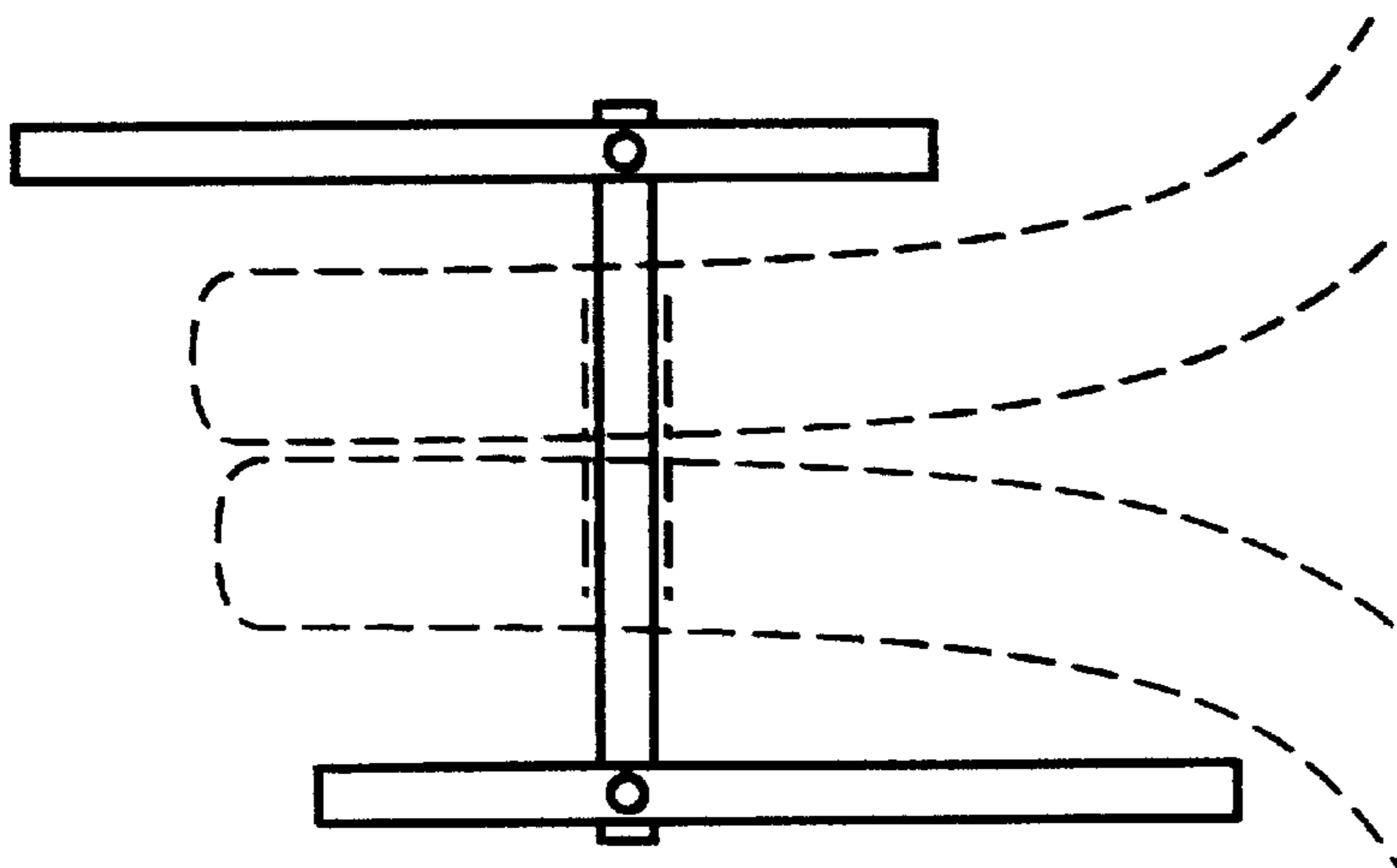
**FIG. 5**



**FIG. 6**



**FIG. 7**



**FIG. 9**



**FIG. 8**