



US00D479486S

(12) **United States Design Patent**
Uehara et al.

(10) **Patent No.:** **US D479,486 S**
(45) **Date of Patent:** **** Sep. 9, 2003**

(54) **BUCKLE**

(75) Inventors: **Ryoichiro Uehara, Kurobe (JP);
Tomohisa Ishida, Kawaguchi (JP)**

(73) Assignee: **YKK Corporation, Tokyo (JP)**

(**) Term: **14 Years**

(21) Appl. No.: **29/139,352**

(22) Filed: **Nov. 6, 2000**

(51) **LOC (7) Cl.** **02-07**

(52) **U.S. Cl.** **D11/216**

(58) **Field of Search** D11/200, 216,
D11/218; D8/383; D24/625, 196, 616, 633,
650, 580, 525, 179, 573.1

(56) **References Cited**

U.S. PATENT DOCUMENTS

D423,985 S	*	5/2000	Yoshiguchi	D11/218
6,263,549 B1	*	7/2001	Uehara	24/625
D447,090 S	*	8/2001	Kamagata et al.	D11/218
D447,980 S	*	9/2001	Kawamura	D11/216

* cited by examiner

Primary Examiner—Louis S. Zarfes

Assistant Examiner—Gregory Andoll

(74) *Attorney, Agent, or Firm*—Finnegan, Henderson,
Farabow, Garrett, & Dunner LLP

(57) **CLAIM**

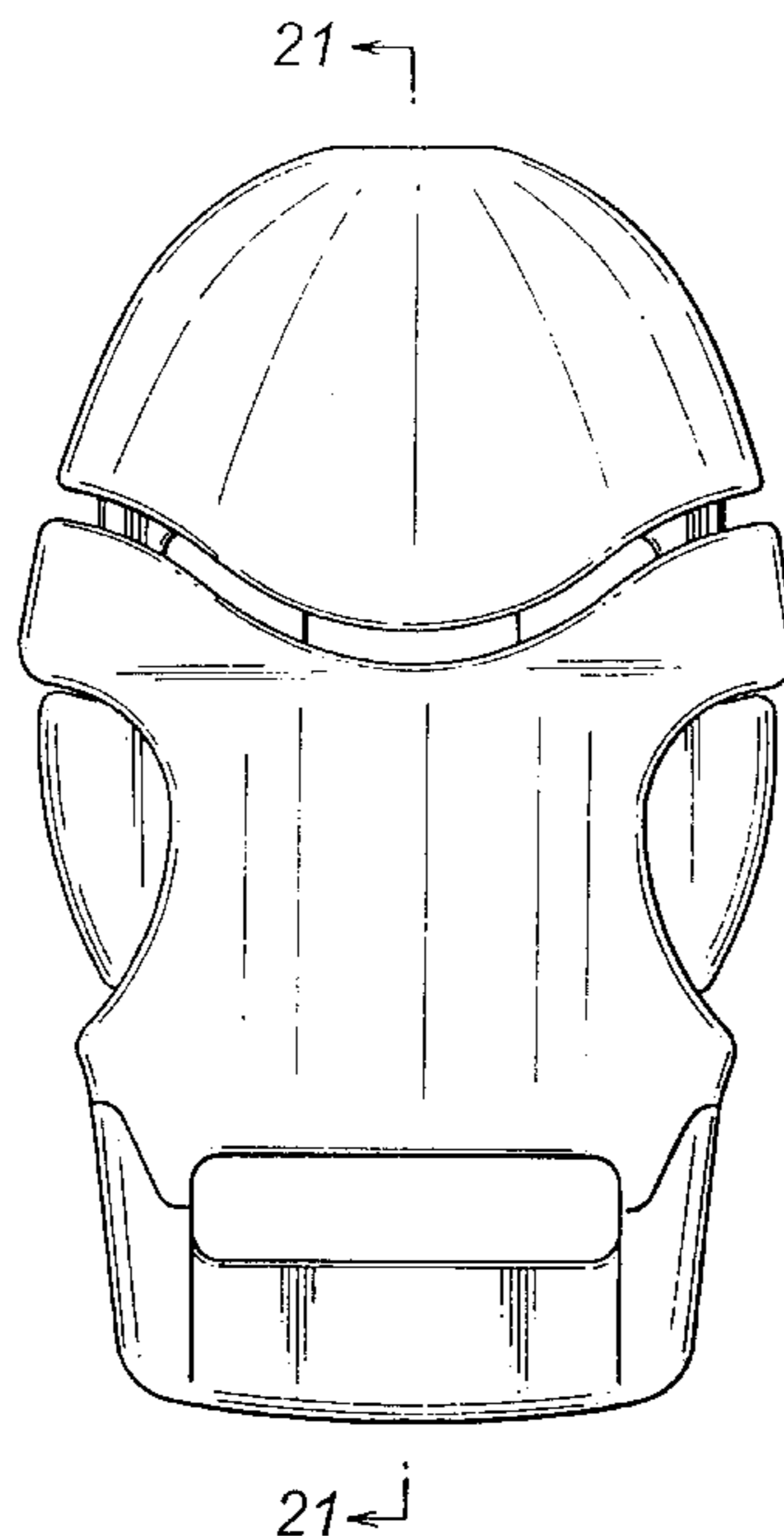
The ornamental design for a buckle, as shown and described.

DESCRIPTION

FIG. 1 is a front view of a male member of a buckle.

FIG. 2 is a top plan view of the male member of FIG. 1.
 FIG. 3 is a bottom plan view of the male member of FIG. 1.
 FIG. 4 is a right side view of the male member of FIG. 1, the left side being a mirror image thereof.
 FIG. 5 is a cross-sectional view taken on line 5—5 of FIG. 4.
 FIG. 6 is a cross-sectional view taken on line 6—6 of FIG. 1.
 FIG. 7 is a cross-sectional view taken on line 7—7 of FIG. 1.
 FIG. 8 is a front view of a female member of the buckle.
 FIG. 9 is a top plan view of the female member of FIG. 8.
 FIG. 10 is a bottom plan view of the female member of FIG. 8.
 FIG. 11 is a right side view of the female member of FIG. 8, the left side being a mirror image thereof.
 FIG. 12 is a cross-sectional view taken on line 12—12 of FIG. 11.
 FIG. 13 is a cross-sectional view taken on line 13—13 of FIG. 8.
 FIG. 14 is a cross-sectional view taken on line 14—14 of FIG. 8.
 FIG. 15 is a cross-sectional view taken on line 15—15 of FIG. 8.
 FIG. 16 is a front view of the buckle in the coupled disposition.
 FIG. 17 is a top plan view of the buckle in FIG. 16.
 FIG. 18 is a bottom plan view of the buckle of FIG. 16.
 FIG. 19 is a right side view of the buckle of FIG. 16, the left side being a mirror image thereof.
 FIG. 20 is a cross-sectional view taken on line 20—20 of FIG. 19; and,
 FIG. 21 is a cross-sectional view taken on line 21—21 of FIG. 16.

1 Claim, 10 Drawing Sheets



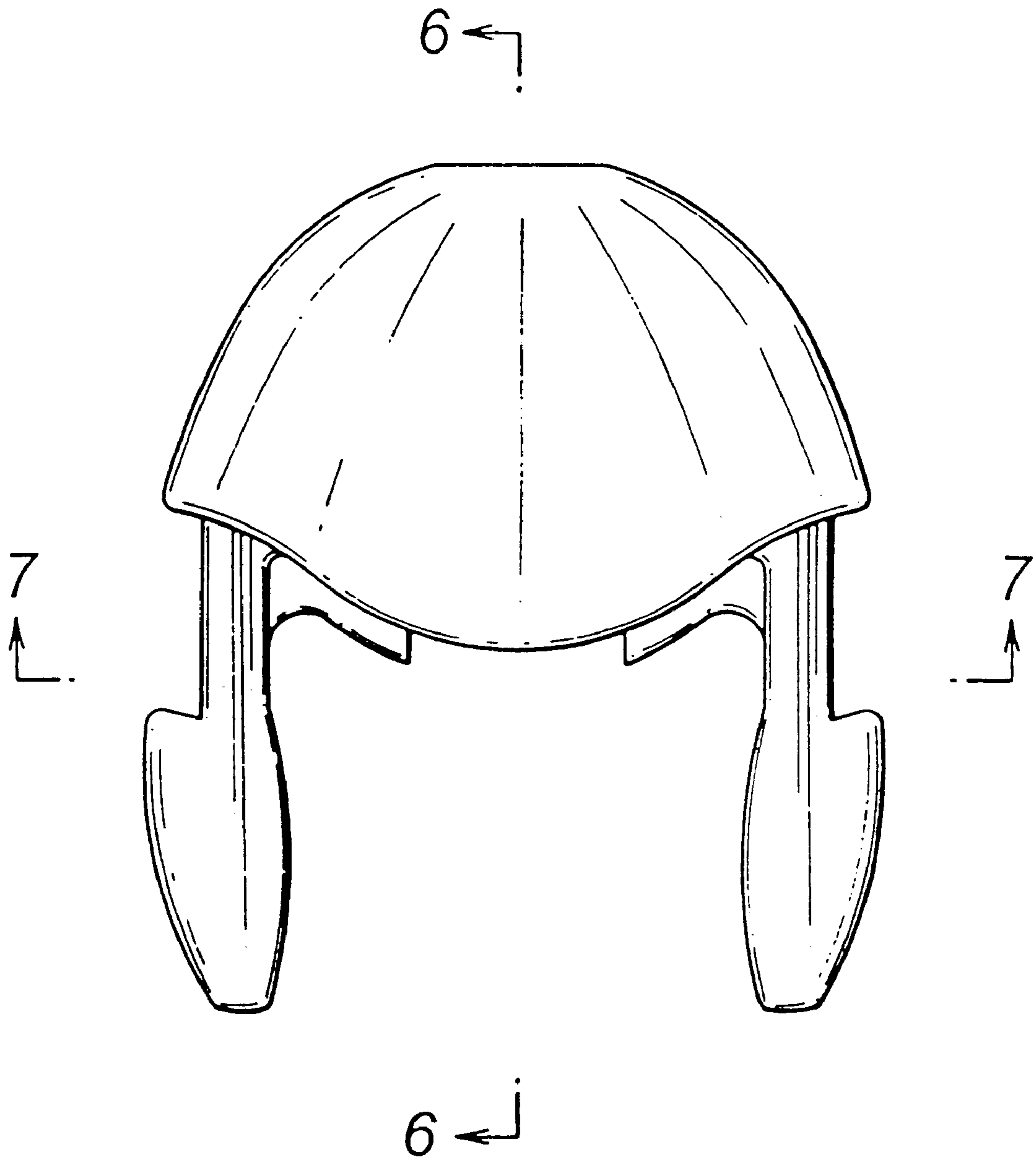


FIG. 1

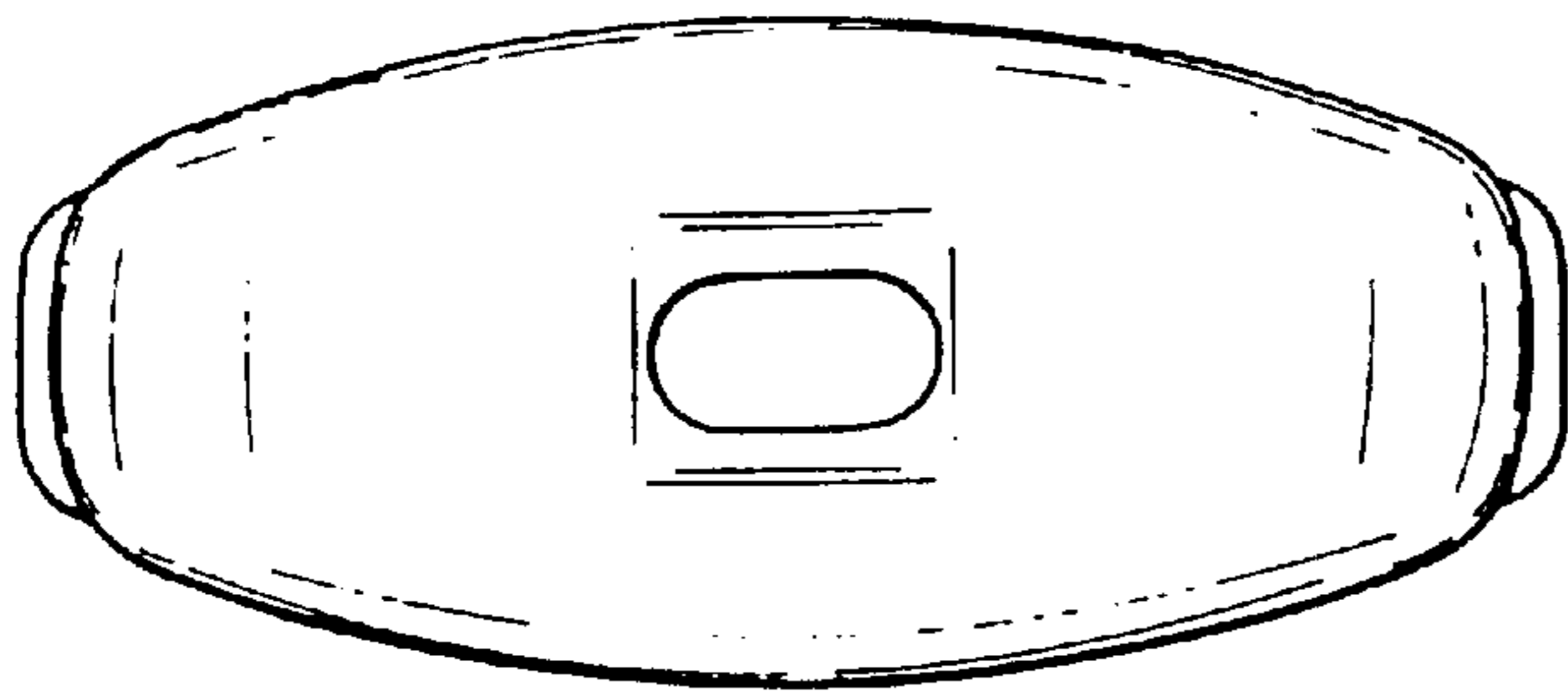


FIG. 2

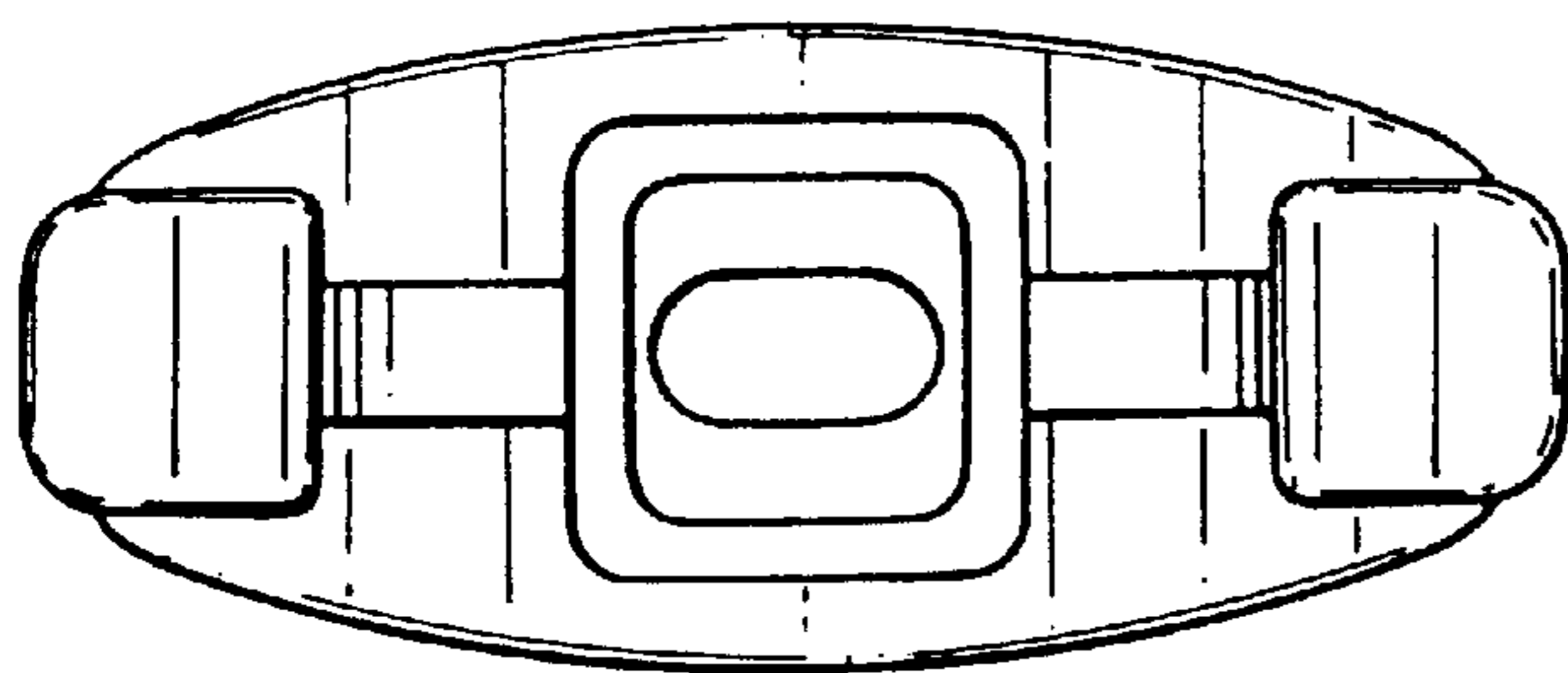
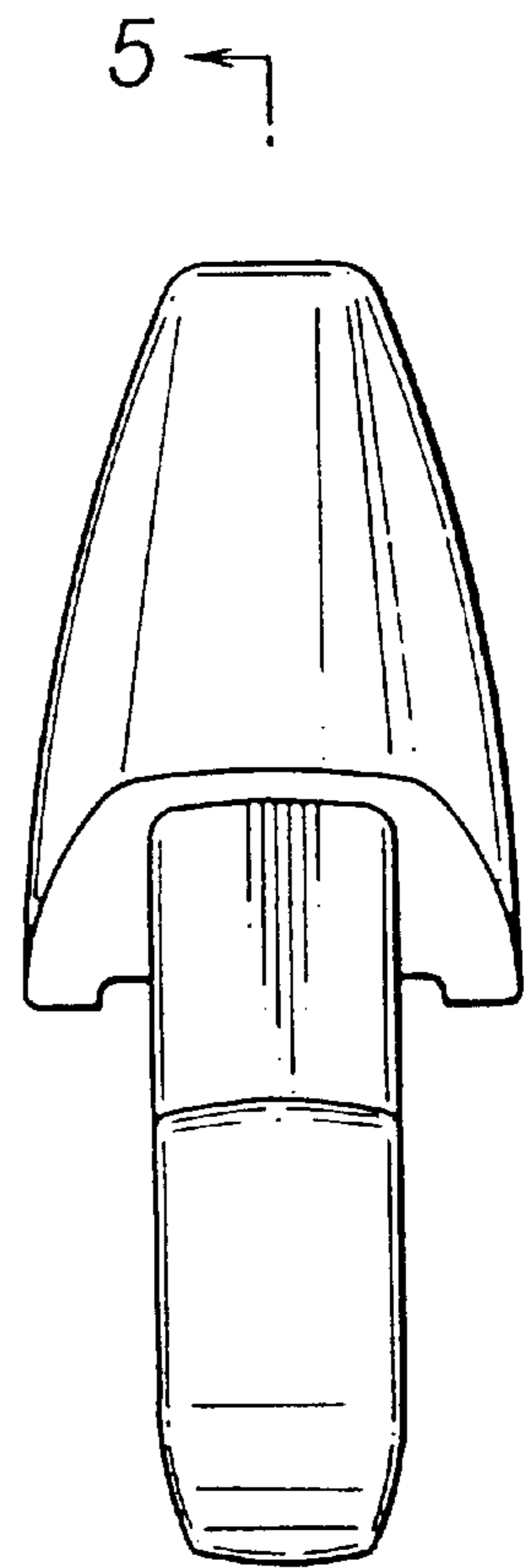


FIG. 3



5 ←

5 ←

FIG. 4

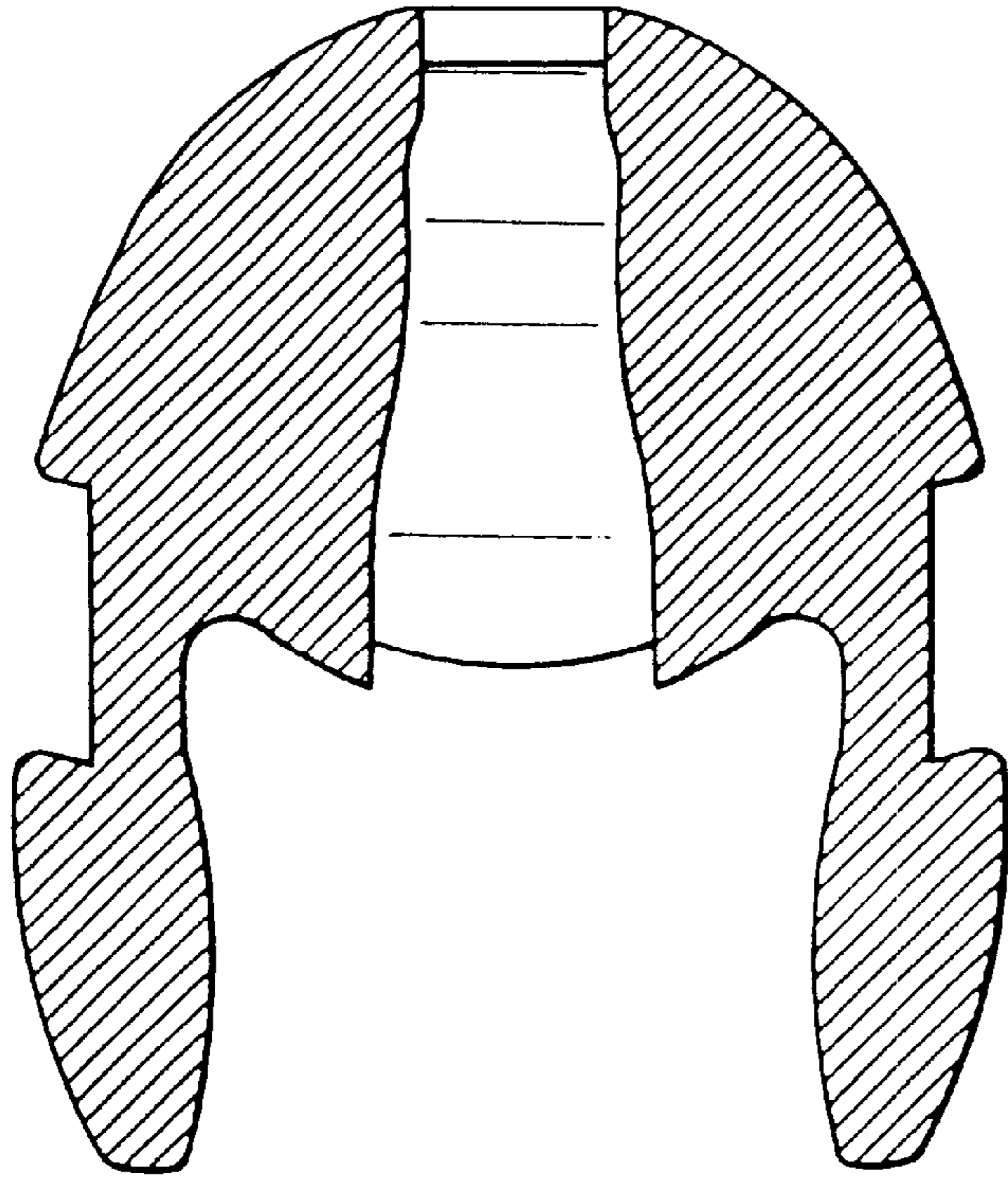


FIG. 5

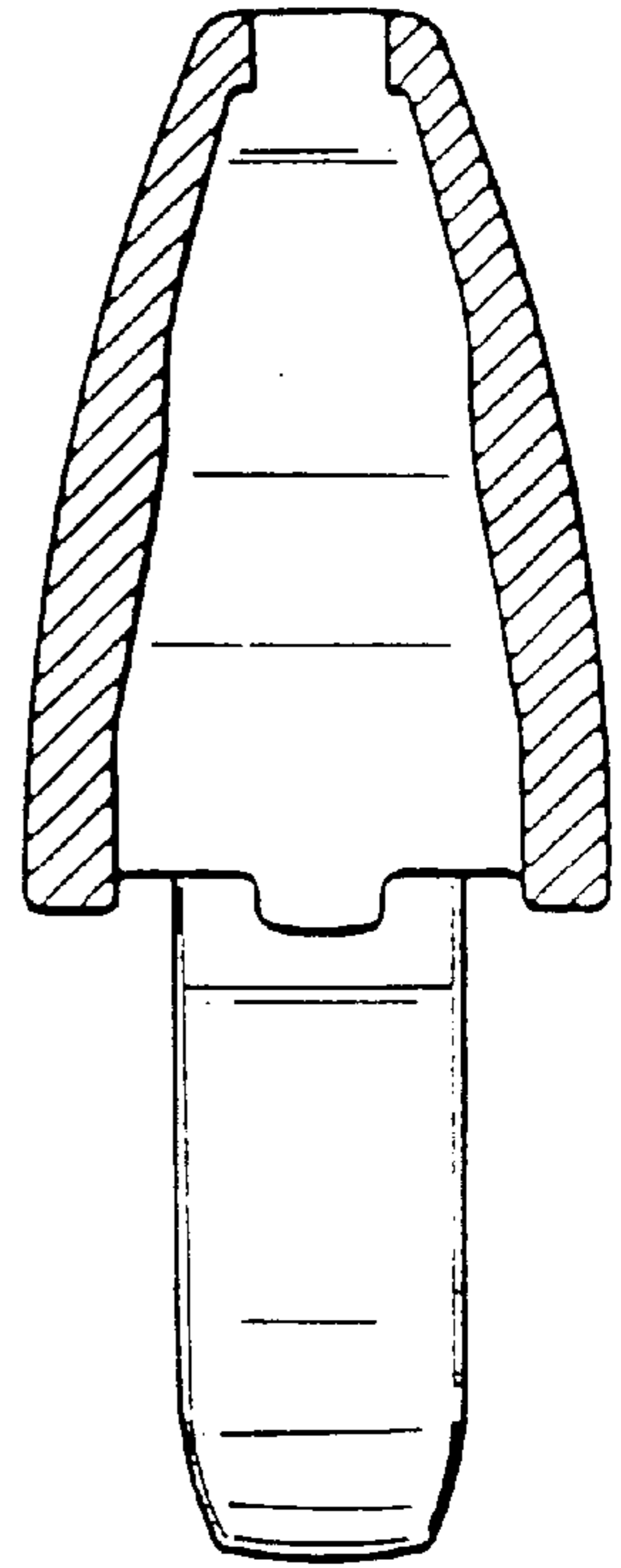


FIG. 6

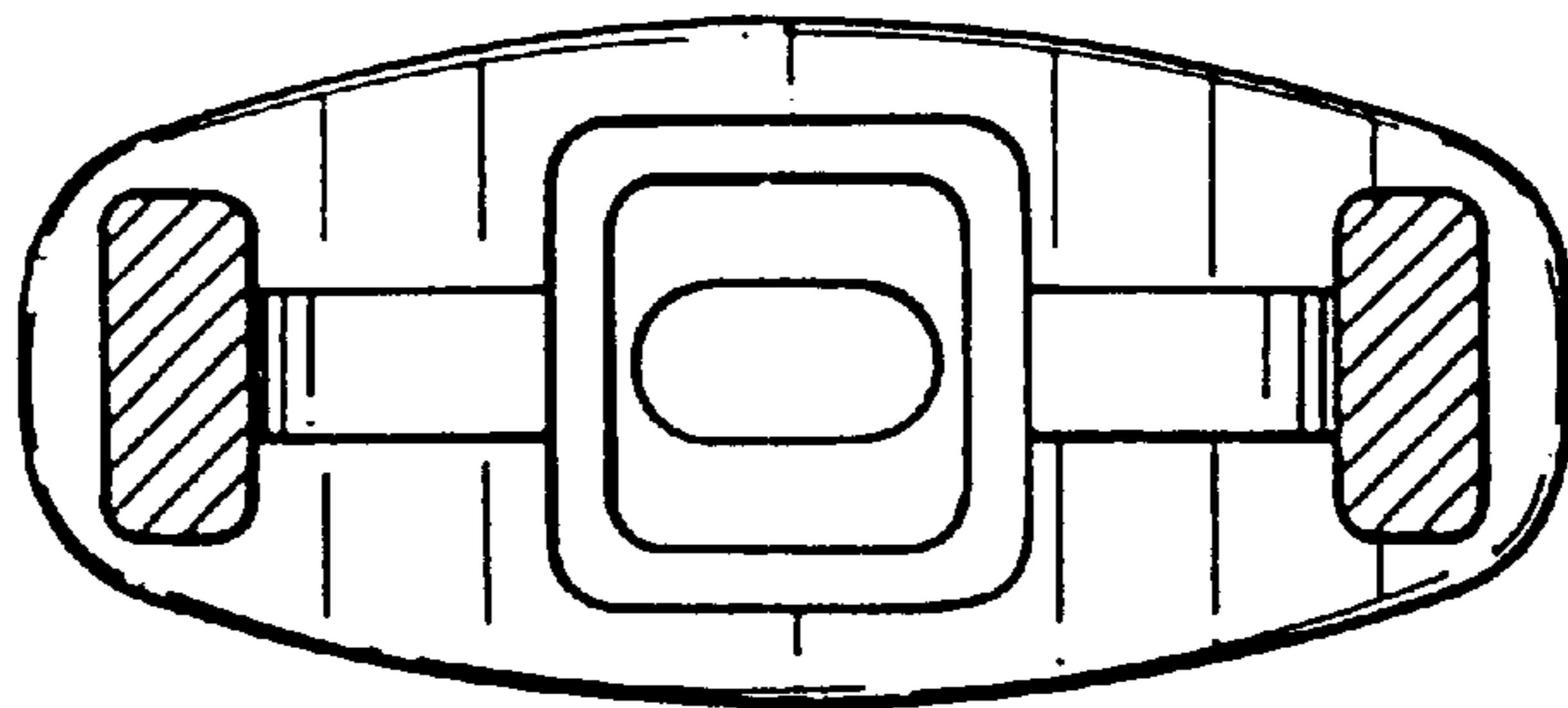


FIG. 7

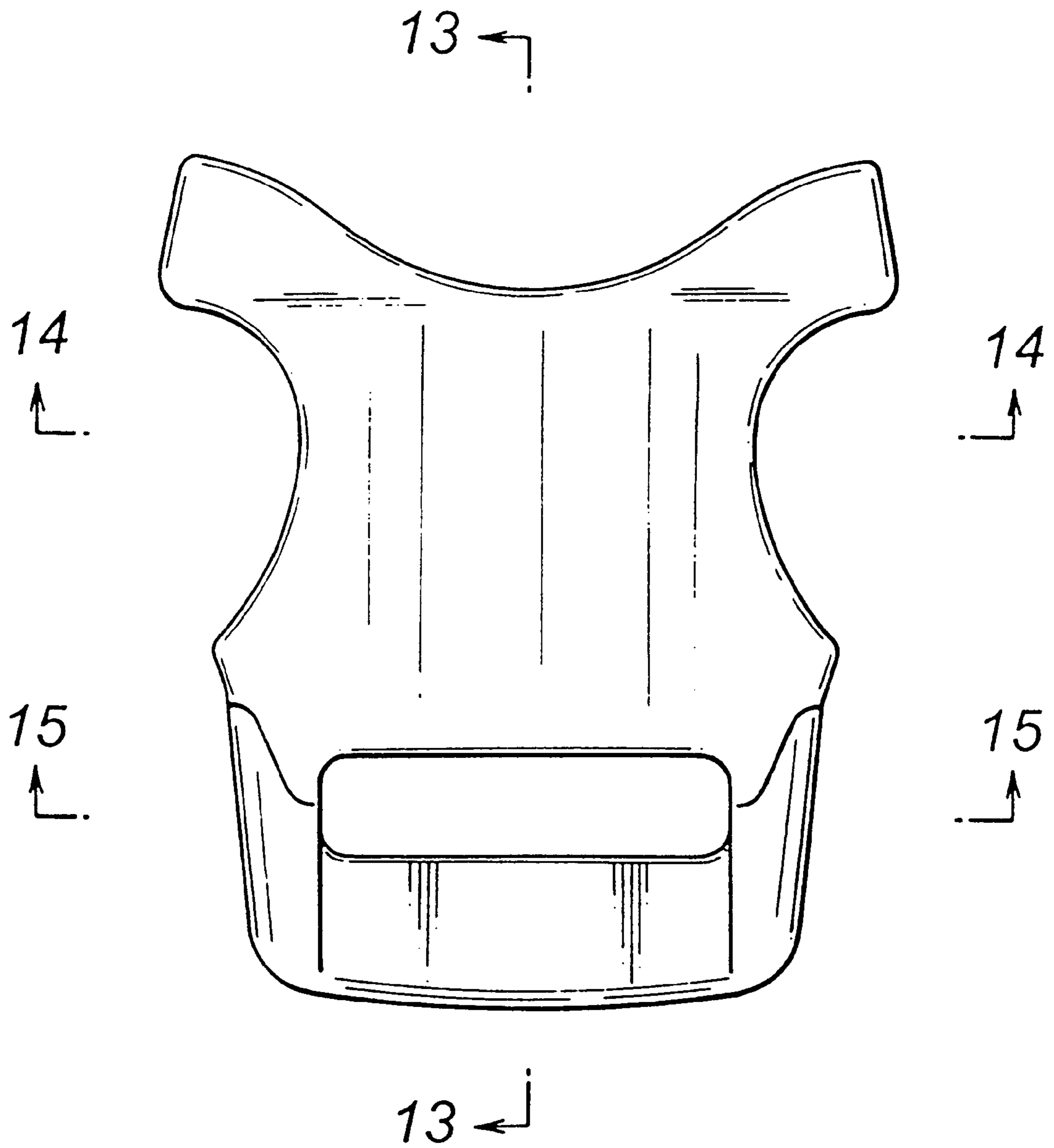


FIG. 8

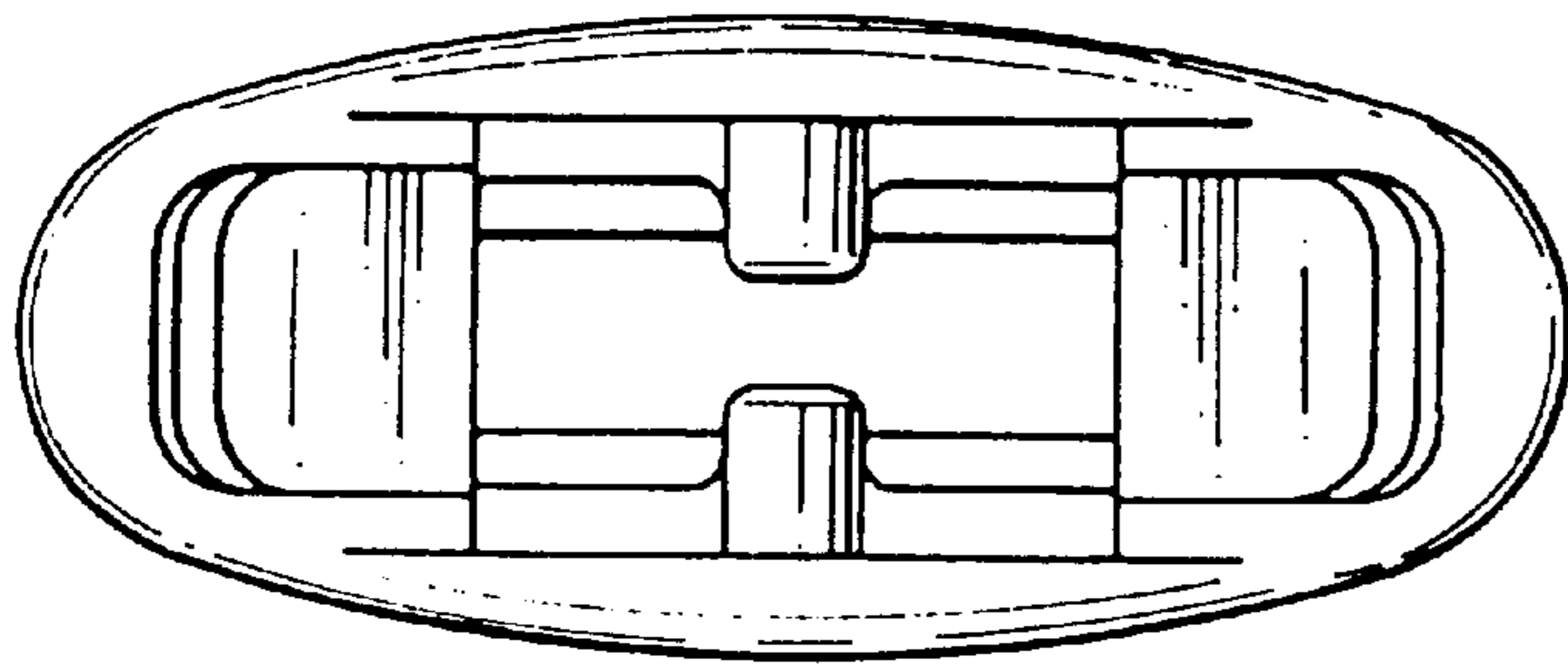


FIG. 9

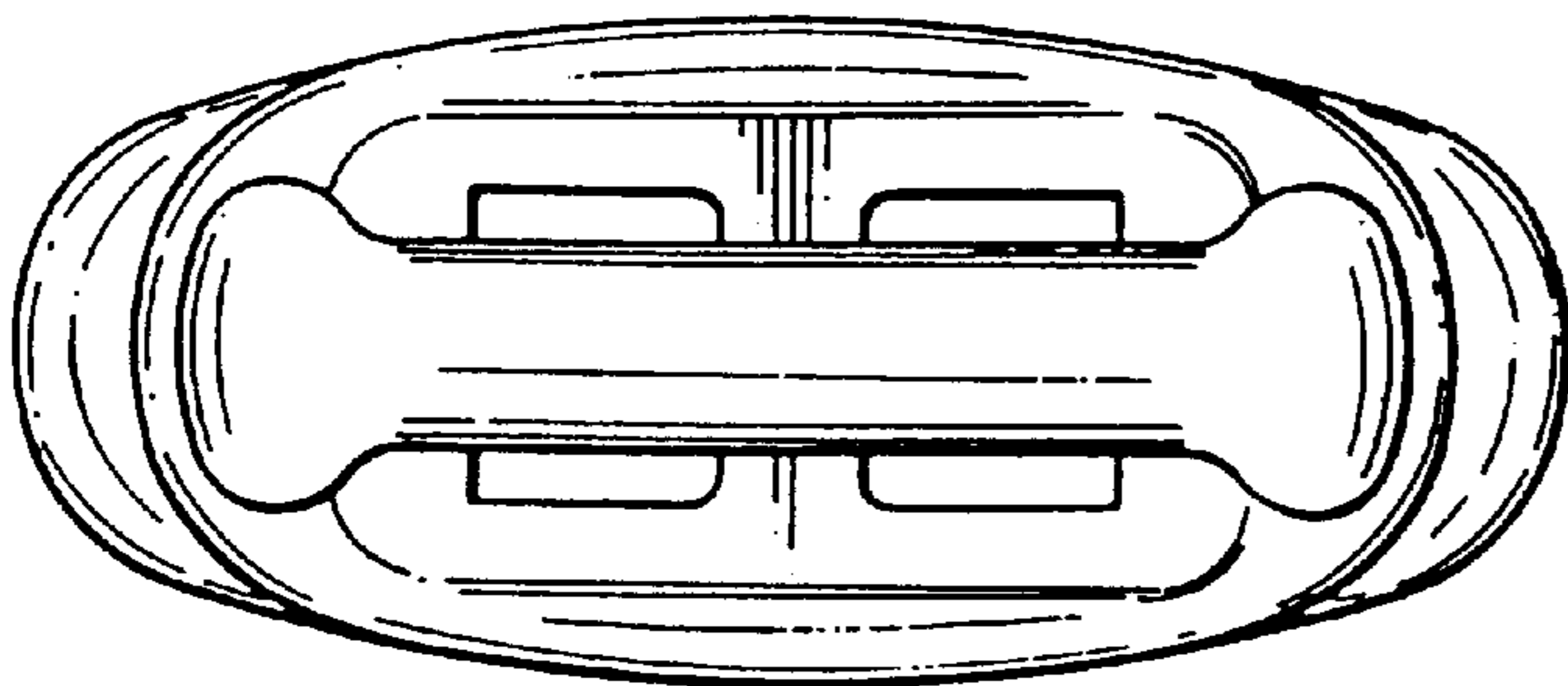
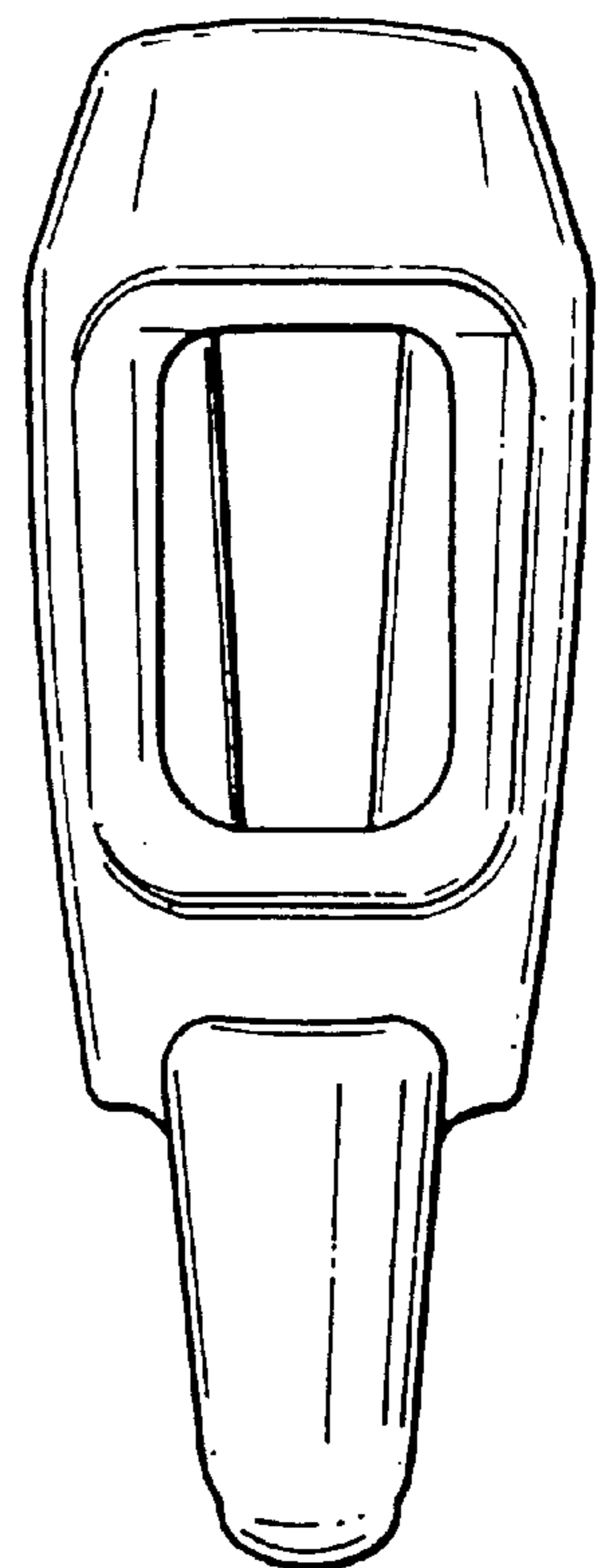


FIG. 10

12 ←



12 ←

FIG. 11

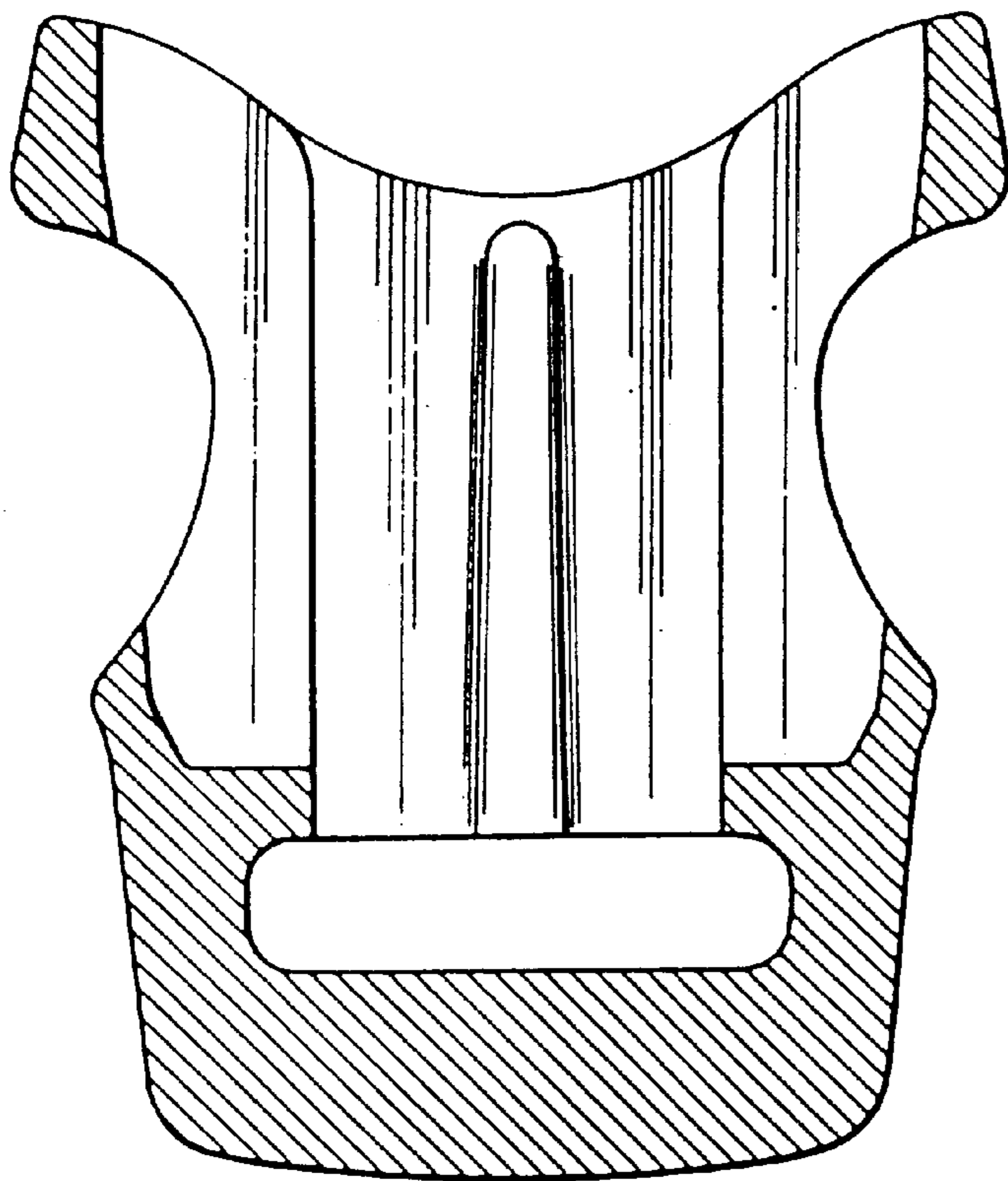


FIG. 12

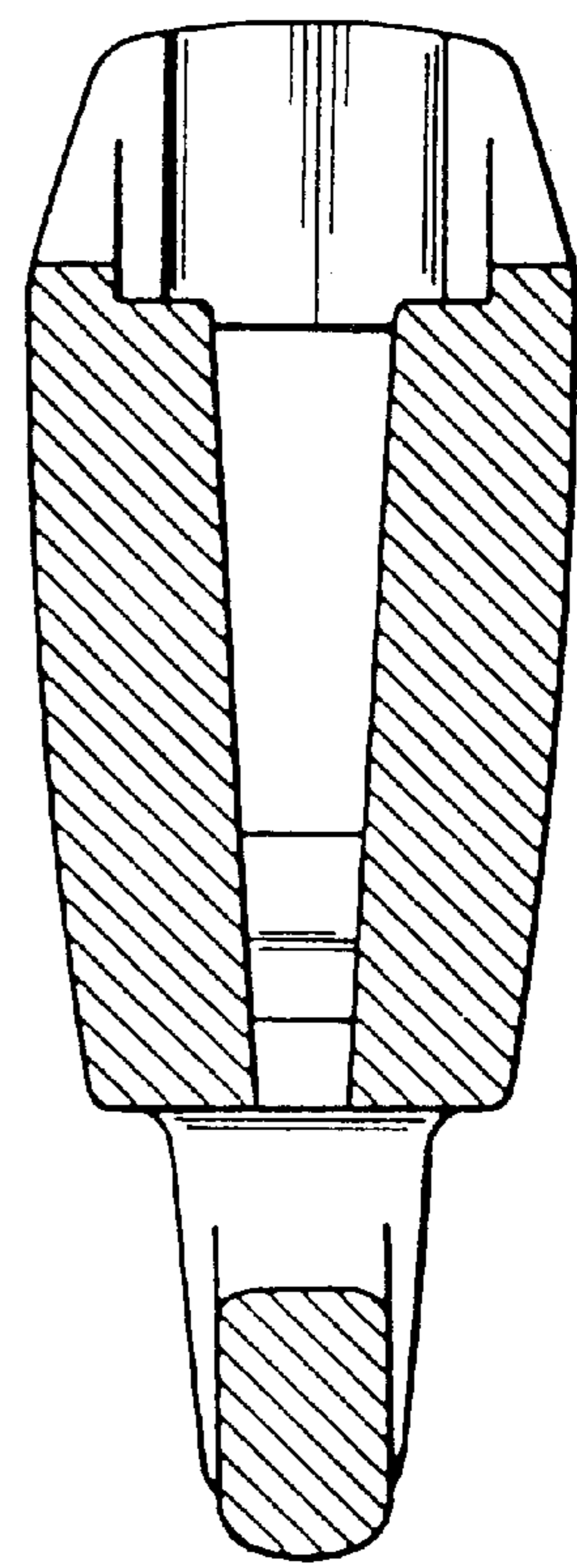


FIG. 13

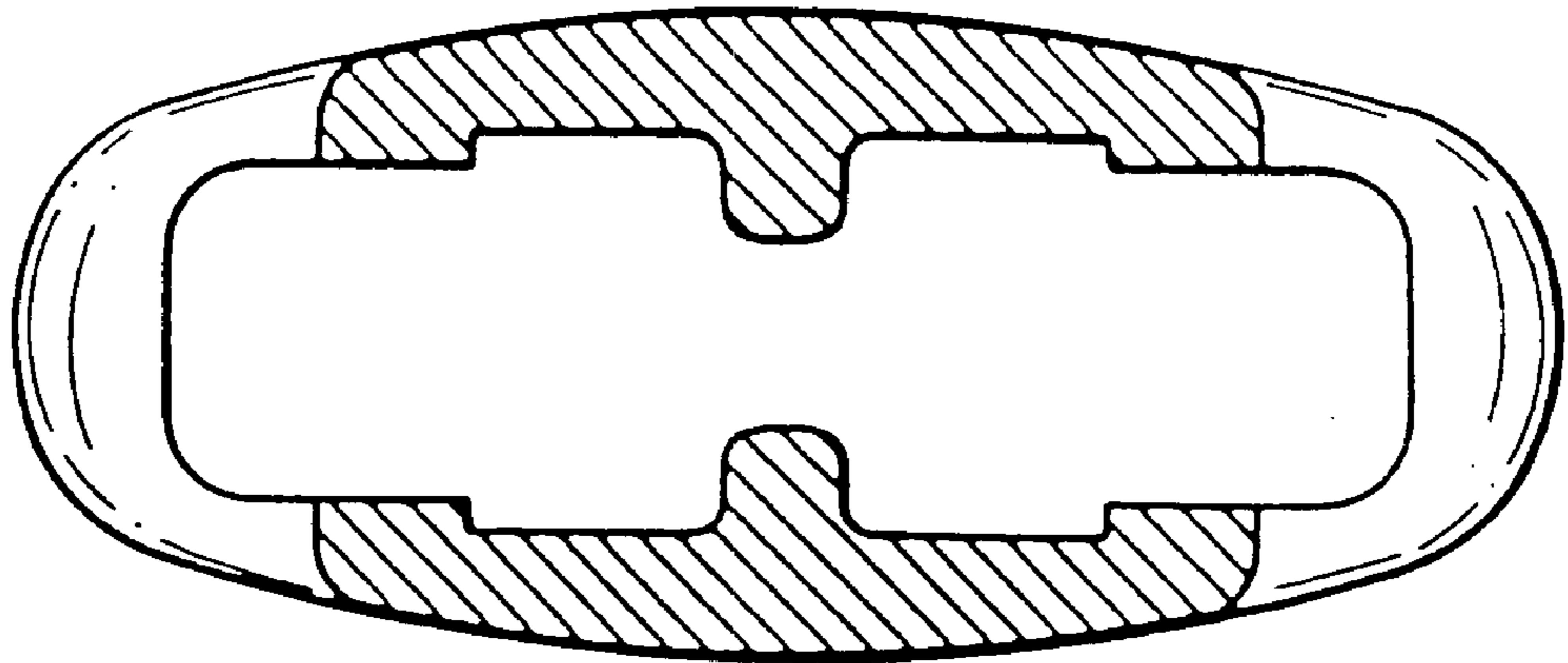


FIG. 14

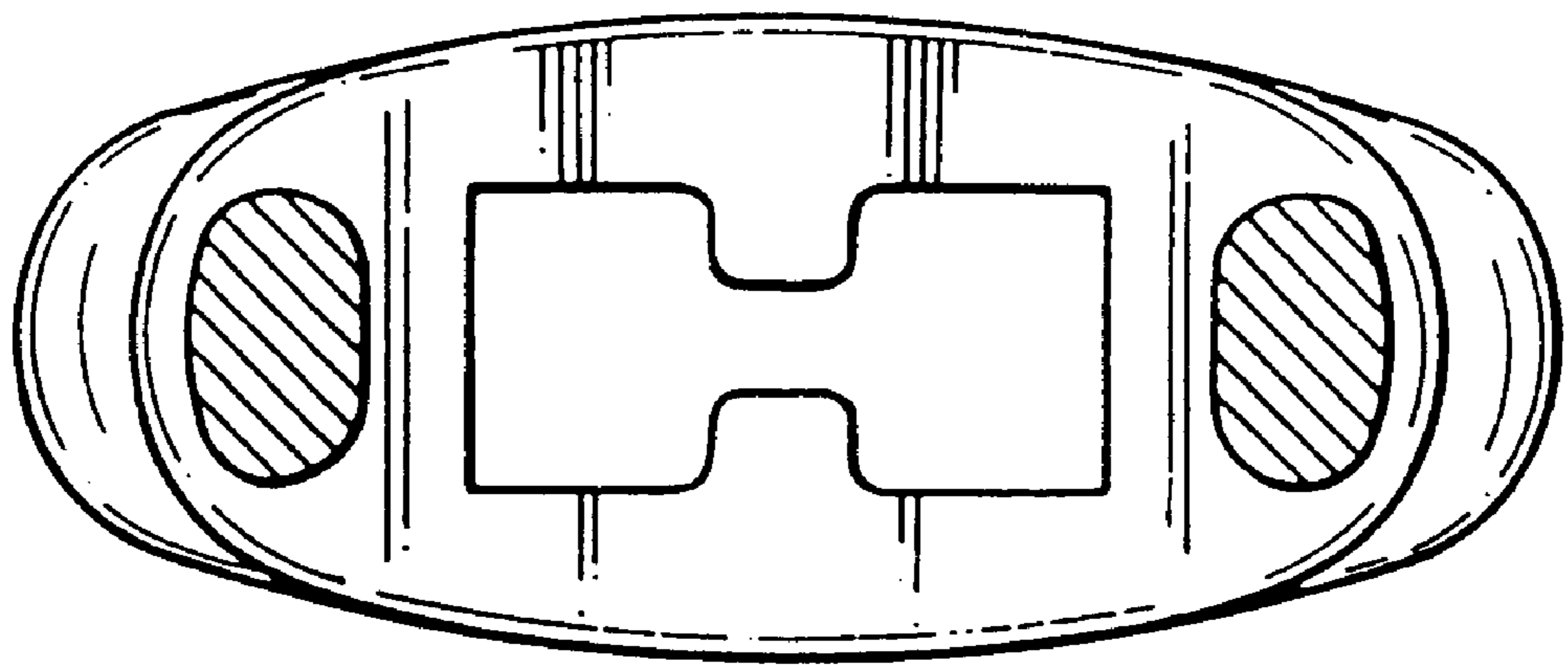


FIG. 15

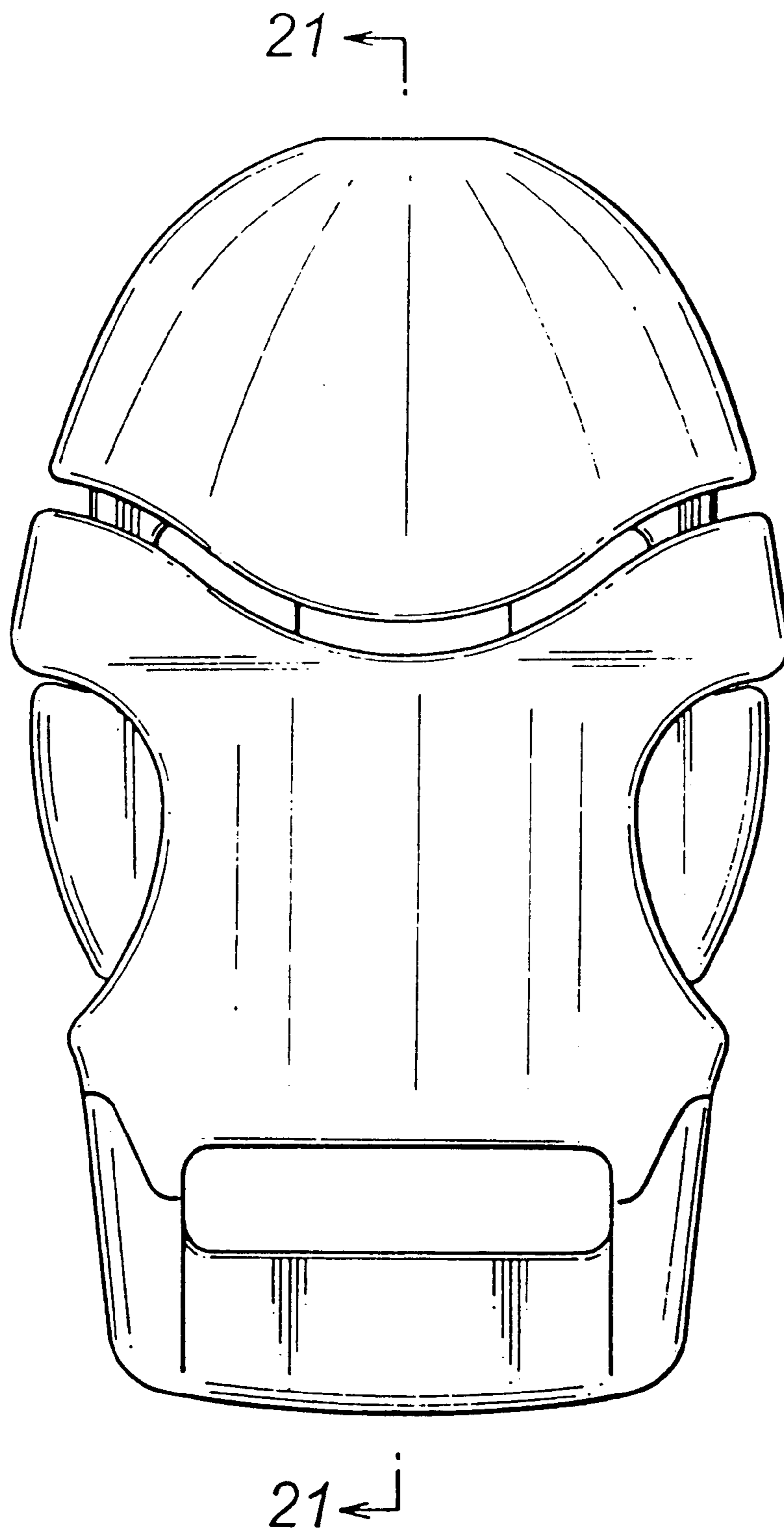


FIG. 16

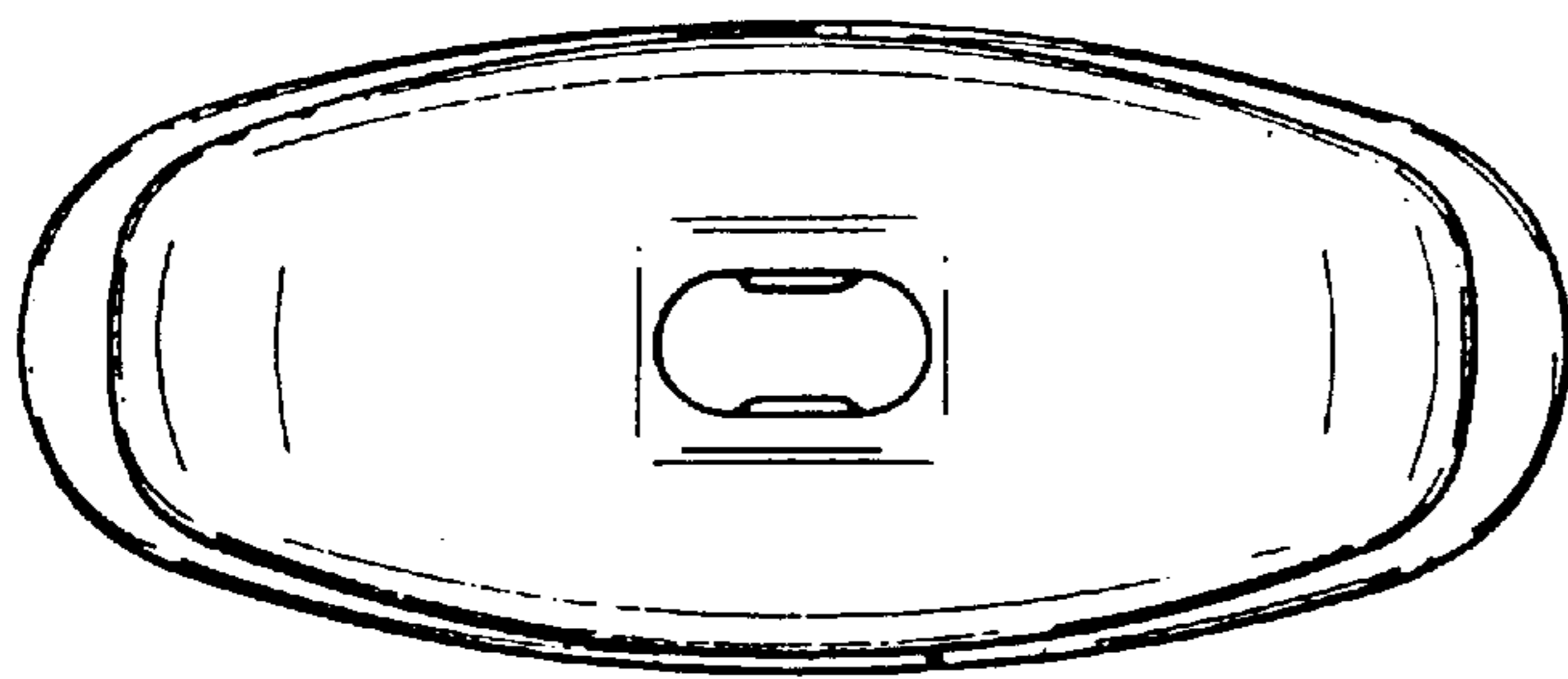


FIG. 17

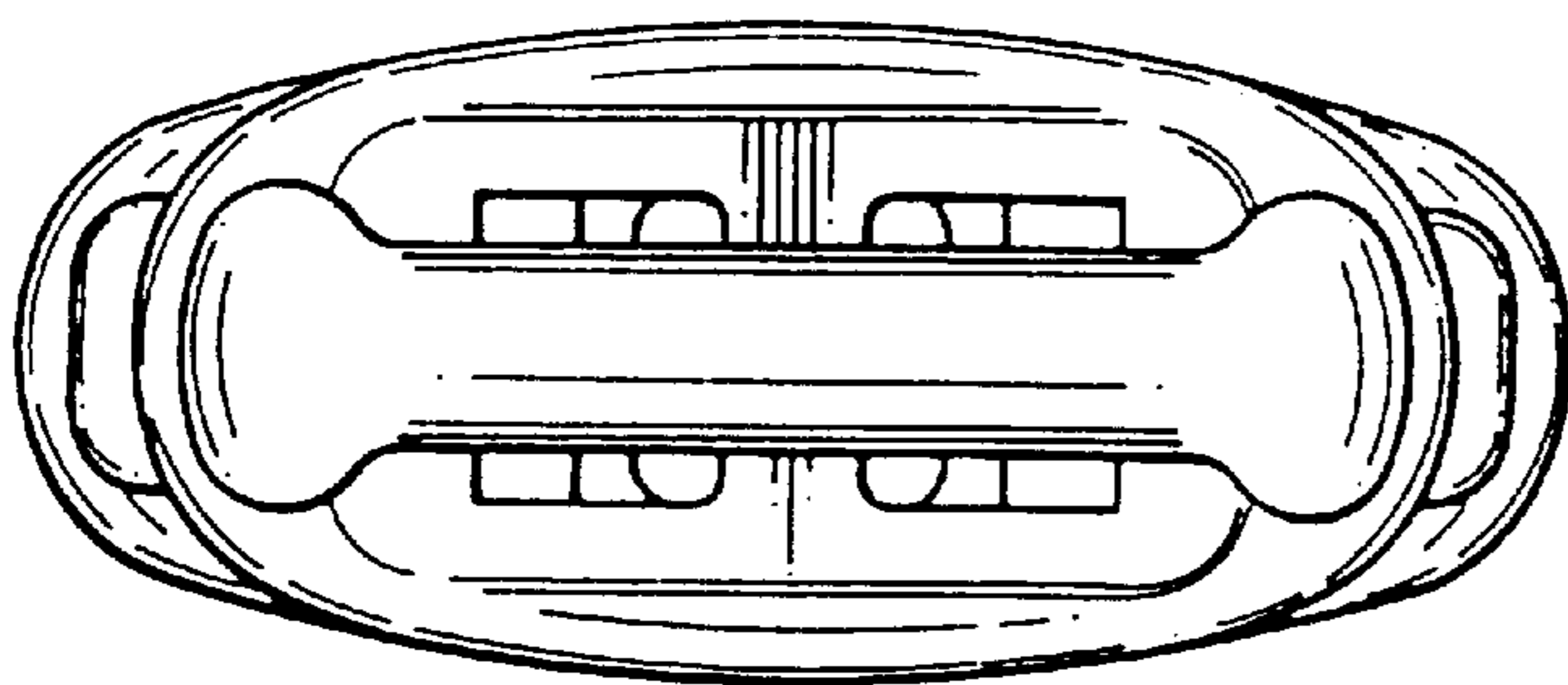


FIG. 18

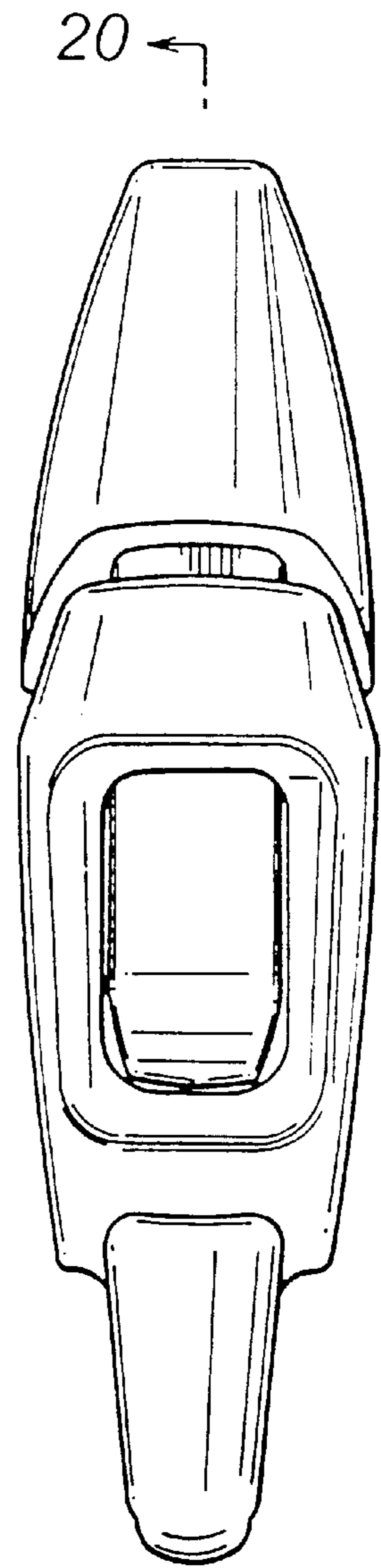


FIG. 19

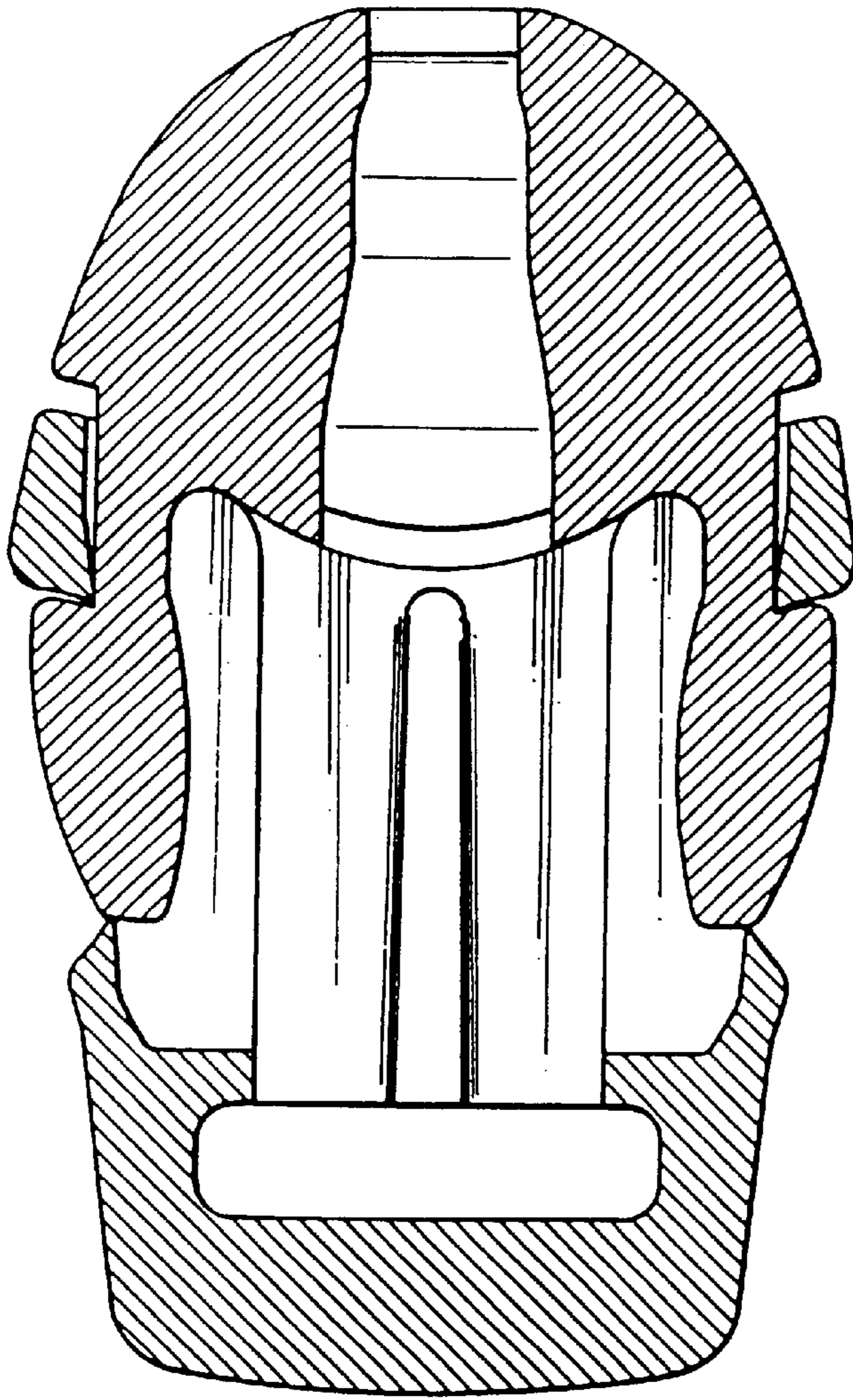


FIG. 20

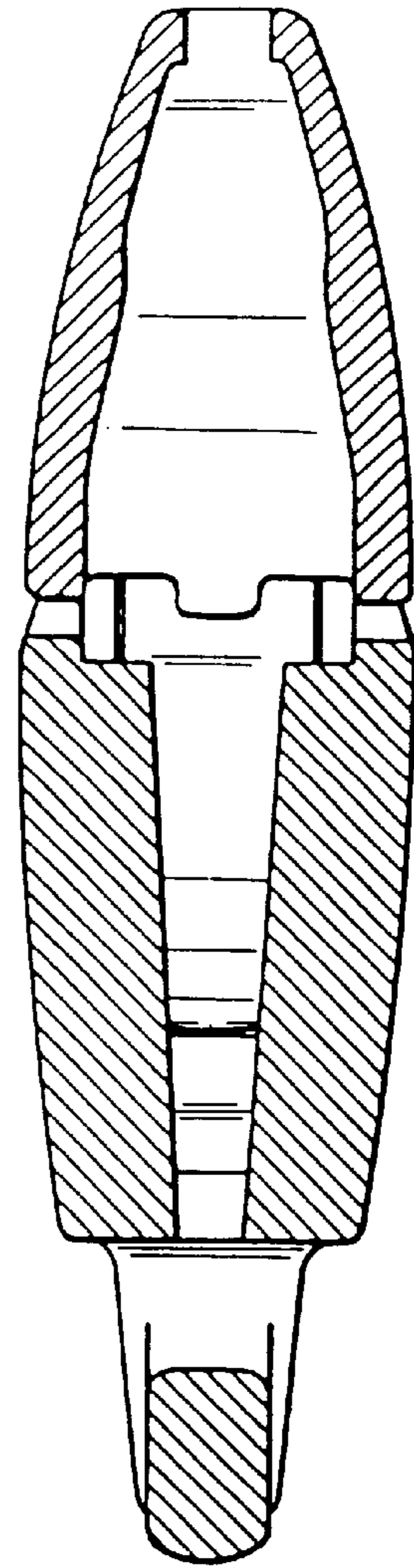


FIG. 21