



US00D479479S

(12) **United States Design Patent**  
**Ishimoto**

(10) **Patent No.:** **US D479,479 S**

(45) **Date of Patent:** **\*\* Sep. 9, 2003**

(54) **LUMINOUS REFLECTOR FOR BICYCLES**

(75) Inventor: **Zenichi Ishimoto**, Tokyo (JP)

(73) Assignee: **Nikko Co., Ltd.**, Tokyo (JP)

(\*\*) Term: **14 Years**

(21) Appl. No.: **29/167,451**

(22) Filed: **Sep. 16, 2002**

(51) **LOC (7) Cl.** ..... **10-05**

(52) **U.S. Cl.** ..... **D10/111**

(58) **Field of Search** ..... **D10/111, 114;**  
**359/519-528, 542, 549, 550**

(56) **References Cited**

**U.S. PATENT DOCUMENTS**

D432,443 S \* 10/2000 Odegard et al. .... D10/111

\* cited by examiner

*Primary Examiner*—Antoine Duval Davis

(74) *Attorney, Agent, or Firm*—Young & Thompson

(57) **CLAIM**

The ornamental design for a luminous reflector for bicycles, as shown.

**DESCRIPTION**

FIG. 1 is a top and side perspective view of a luminous reflector for bicycles, showing my new design;

FIG. 2 is a top plan view thereof;

FIG. 3 is a side elevational view thereof from the left of FIG. 2;

FIG. 4 is a side elevational view thereof from the right of FIG. 2;

FIG. 5 is a view thereof from the top of FIG. 2;

FIG. 6 is a view thereof from the bottom of FIG. 2; and,

FIG. 7 is a bottom plan view thereof.

**1 Claim, 7 Drawing Sheets**

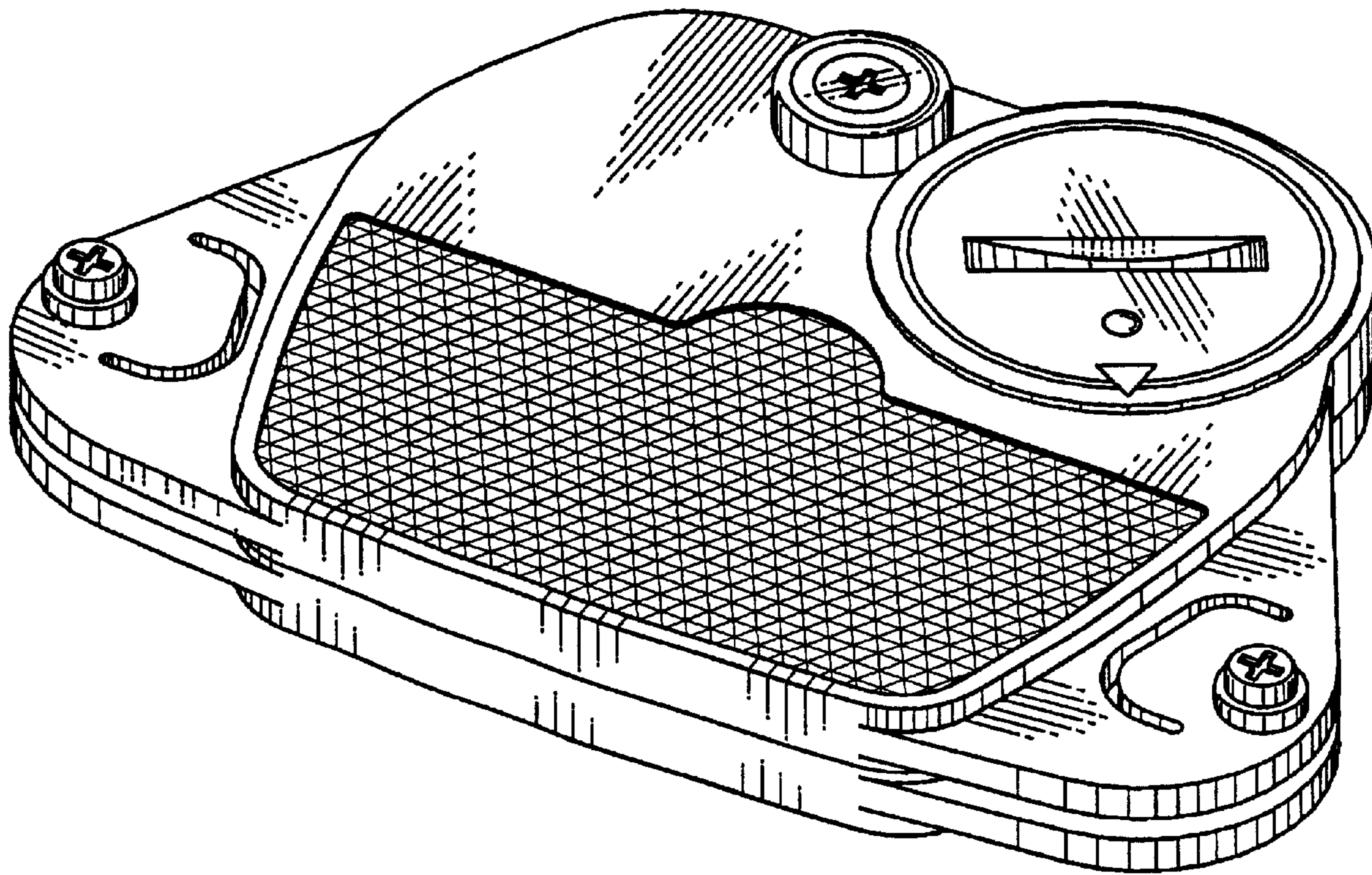


FIG. 1

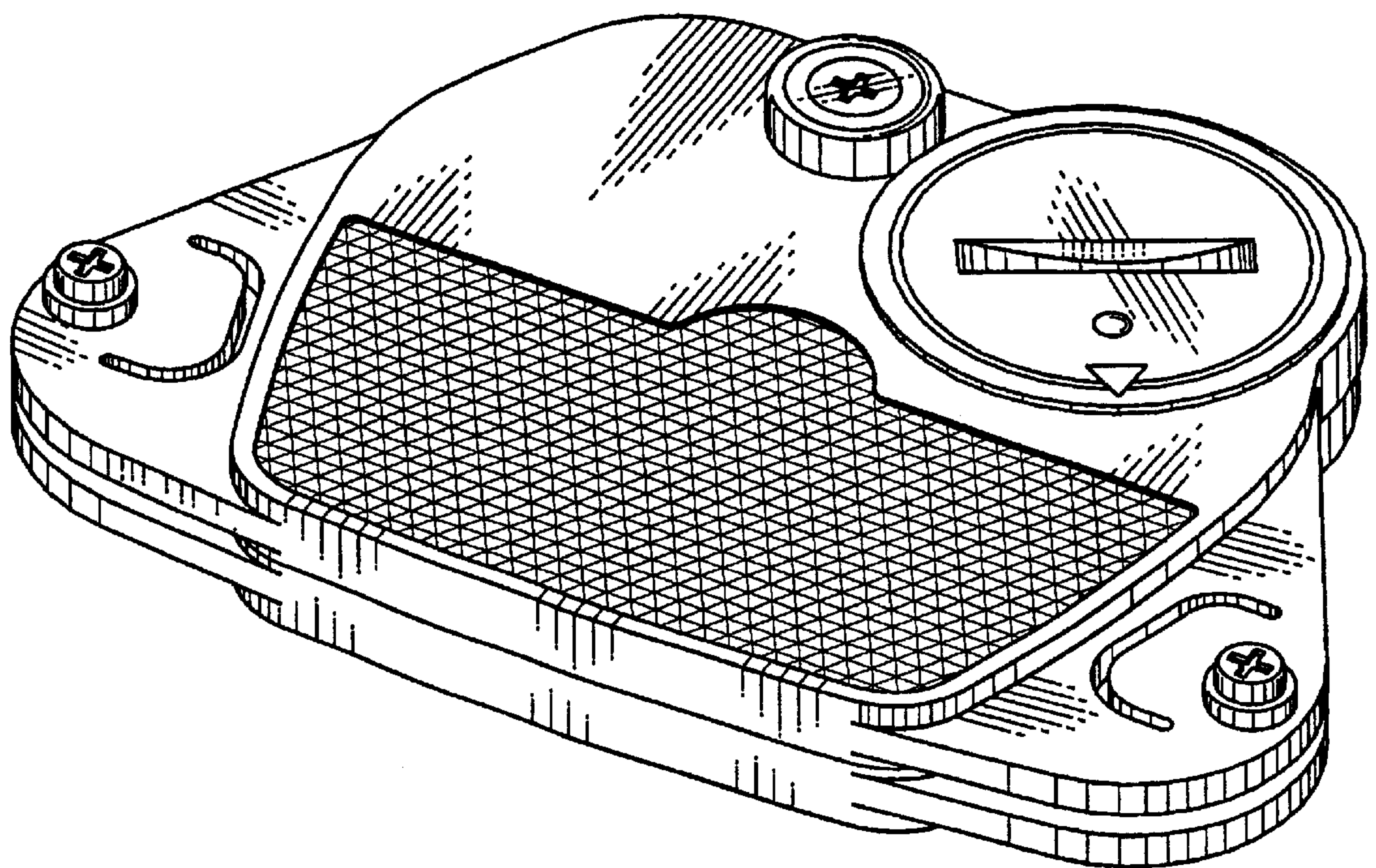
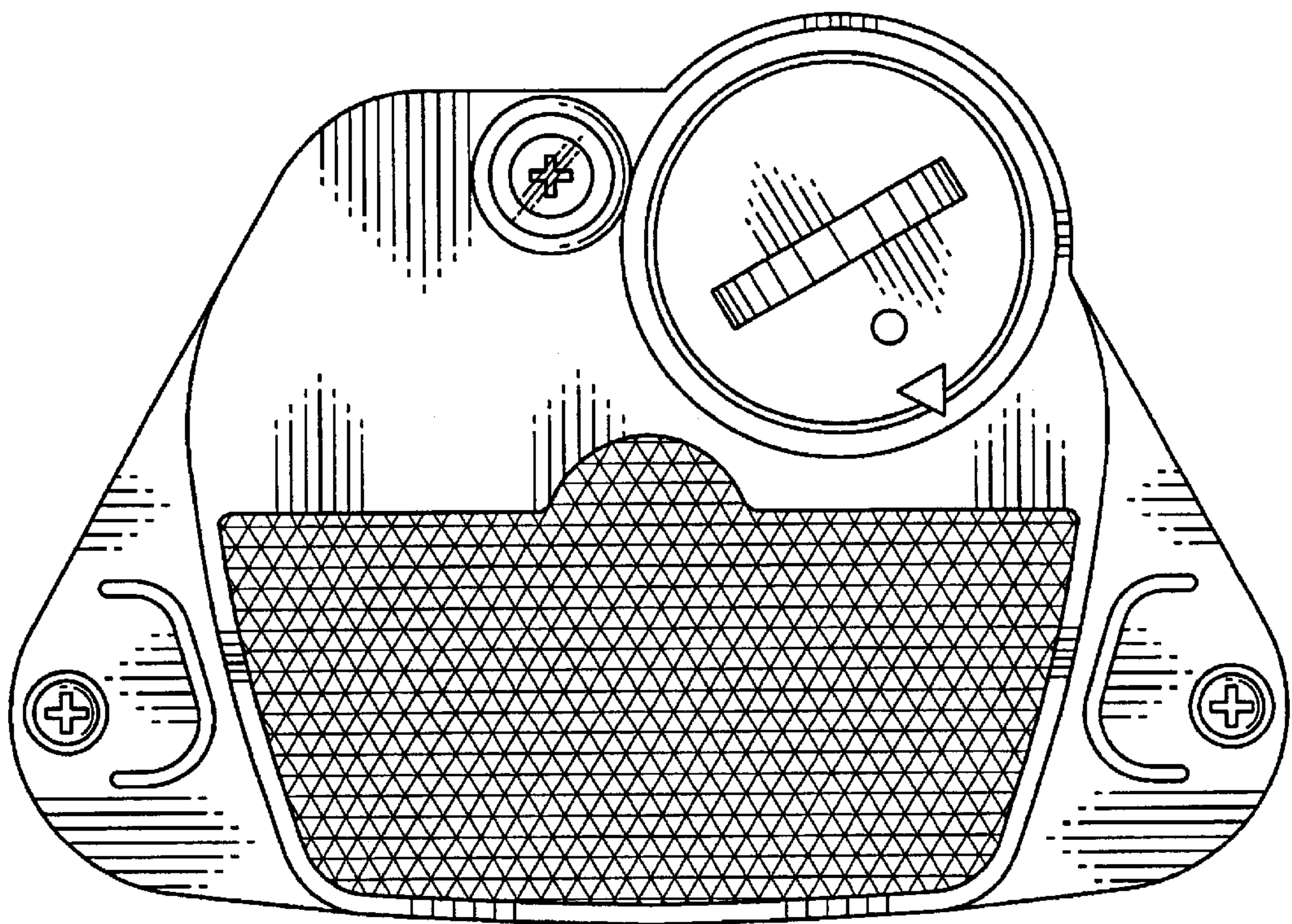




FIG. 2



# FIG. 3

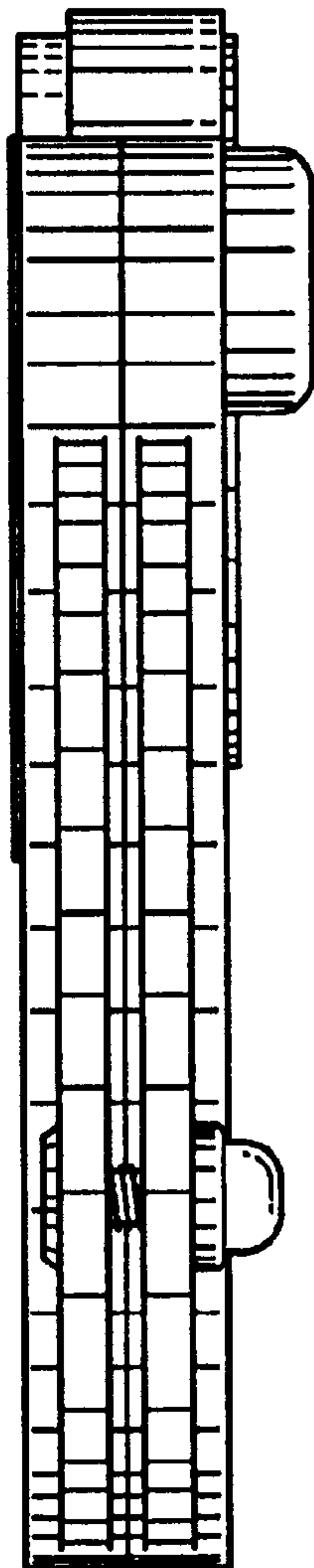
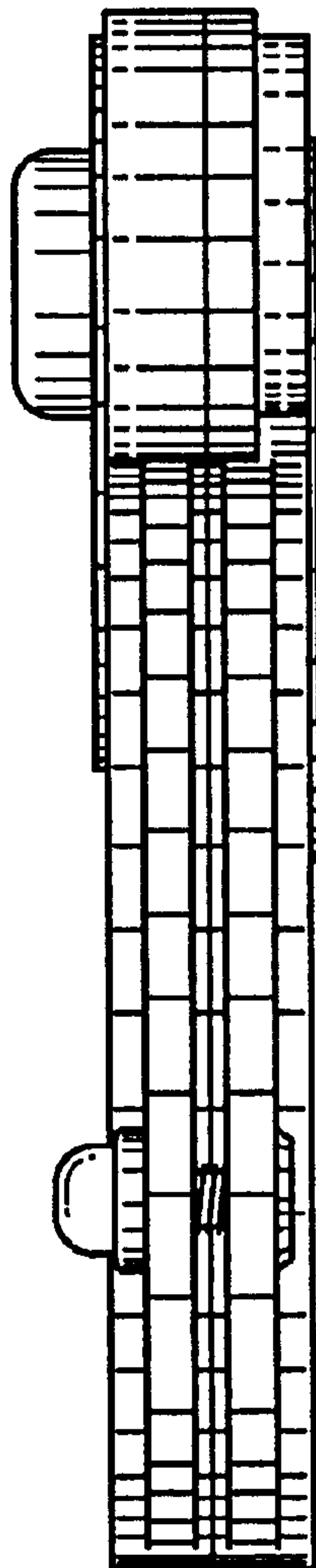


FIG. 4



**FIG. 5**

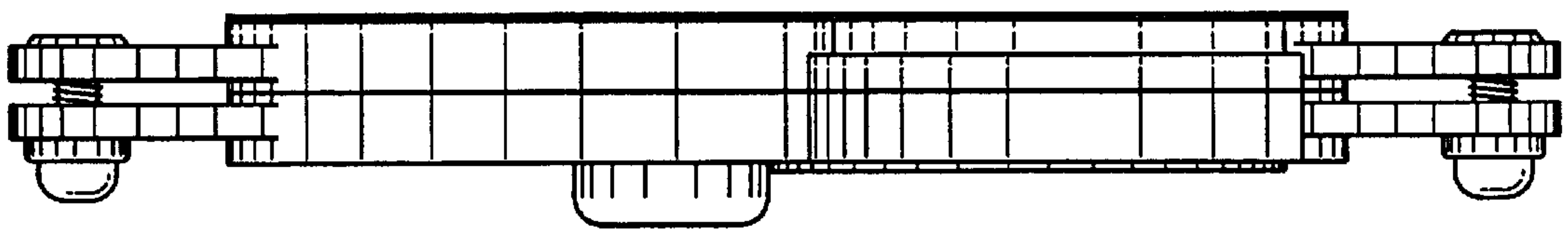
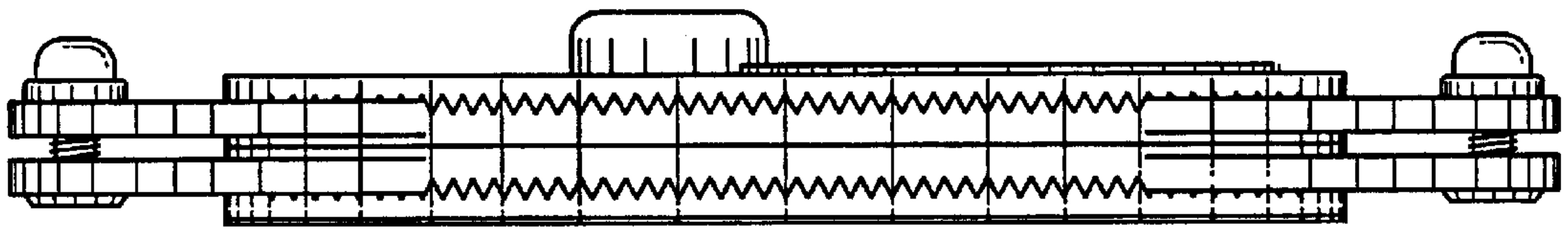


FIG. 6



**FIG. 7**

