



US00D479475S

(12) **United States Design Patent**
Dermikaelien-Covault et al.

(10) **Patent No.:** **US D479,475 S**

(45) **Date of Patent:** **** Sep. 9, 2003**

(54) **HOUSING FOR SONAR DEPTH FINDER
TRANSPONDER**

(75) Inventors: **Nicole Dermikaelien-Covault**,
Cumming, GA (US); **Jared Rude**,
Buford, GA (US); **Patrick J. Spivey**,
Snellville, GA (US)

(73) Assignee: **Techsonic Industries, Inc.**, Eufaula, AL
(US)

(**) Term: **14 Years**

(21) Appl. No.: **29/166,351**

(22) Filed: **Aug. 26, 2002**

(51) **LOC (7) Cl.** **10-04**

(52) **U.S. Cl.** **D10/46; D10/104; D10/106**

(58) **Field of Search** **D10/46, 104, 106;**
367/172, 173

(56) **References Cited**

U.S. PATENT DOCUMENTS

- 3,780,578 A * 12/1973 Sellman et al. 73/227
- D329,615 S * 9/1992 Stiner D10/46
- 6,160,764 A * 12/2000 Powell 367/173

OTHER PUBLICATIONS

Bass Pro Shops 2000 Master Catalog, (Cover page, p. 201,
202) Bass Pro Shops, 2500 E Kearney Spring field, MO
65898-0123.

* cited by examiner

Primary Examiner—Antoine Duval Davis

(74) *Attorney, Agent, or Firm*—Baker, Donelson, Bearman,
Caldwell & Berkowitz

(57) **CLAIM**

The ornamental design for a housing for sonar depth finder
transponder, as shown and described.

DESCRIPTION

FIG. 1 is a perspective view of our new design for a housing
for sonar depth finder transponder;
FIG. 2 is a right side elevational view thereof, the left side
view being a mirror image thereof;
FIG. 3 is a top plan view thereof;
FIG. 4 is a bottom plan view thereof;
FIG. 5 is a front elevational view thereof; and,
FIG. 6 is a rear elevational view thereof.
The phantom lines in FIG. 1 illustrate the environment of the
housing floating in a body of water with attached fishing and
hook lines.

1 Claim, 3 Drawing Sheets

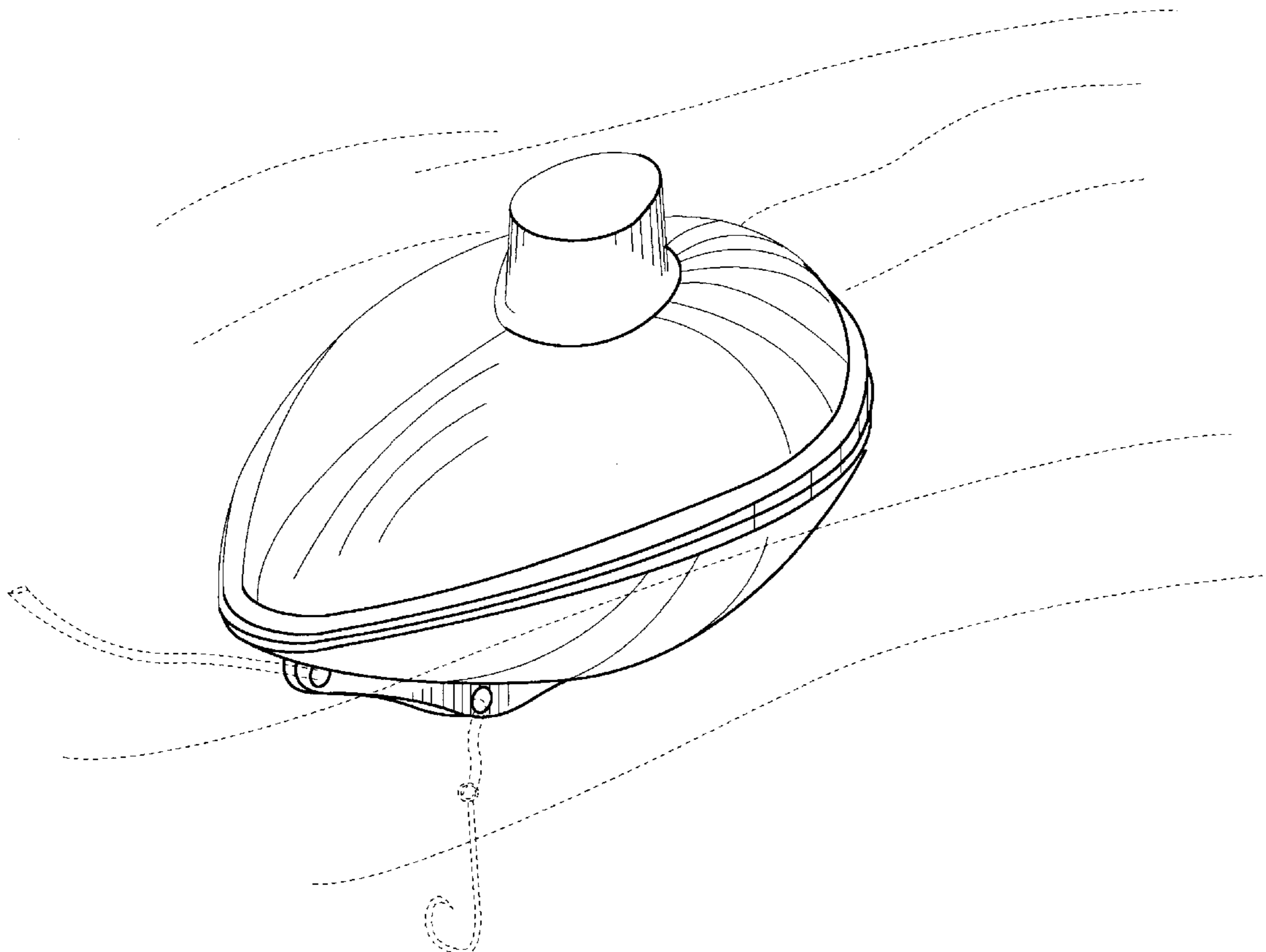


Fig. 1

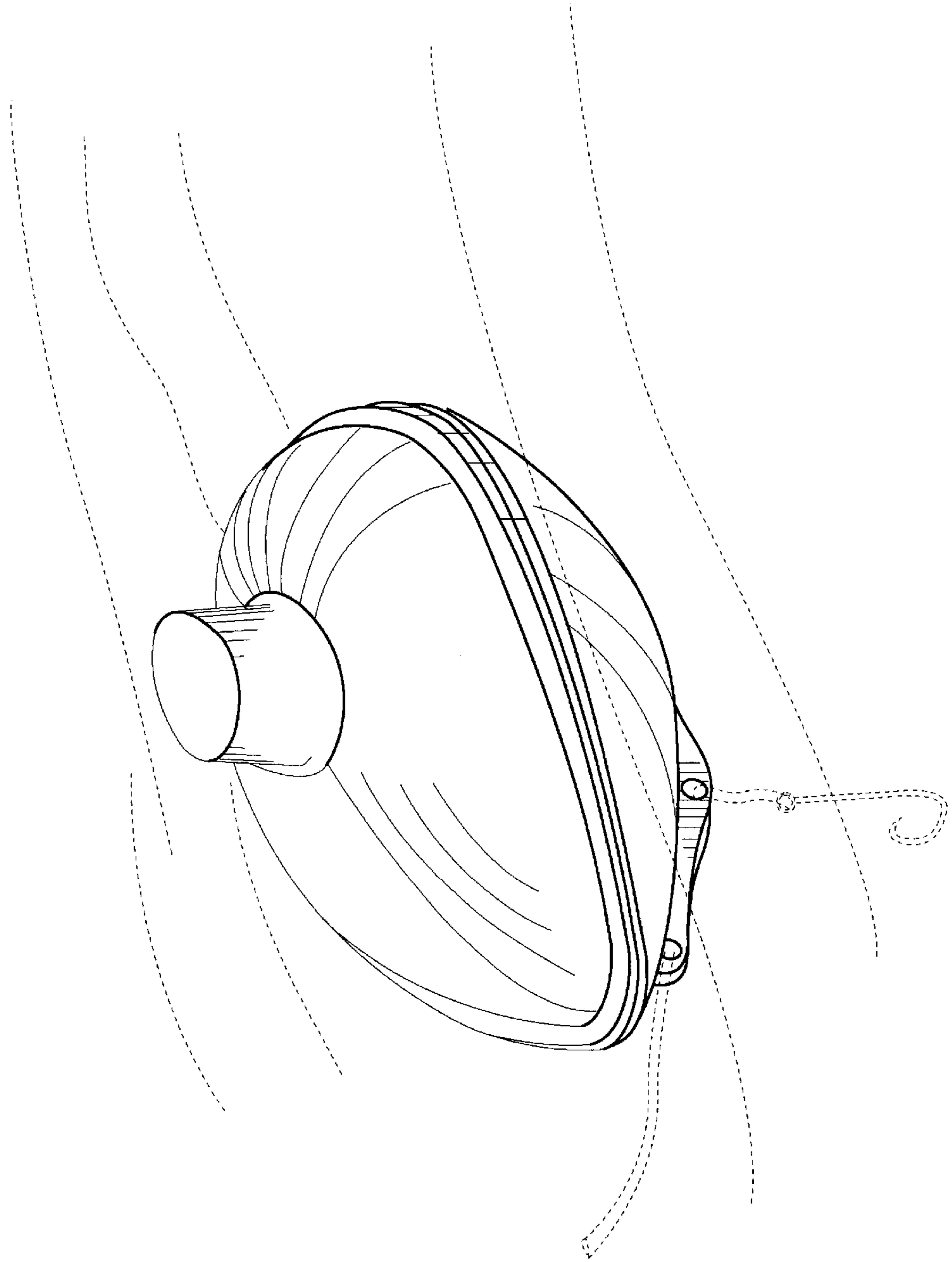


Fig. 2

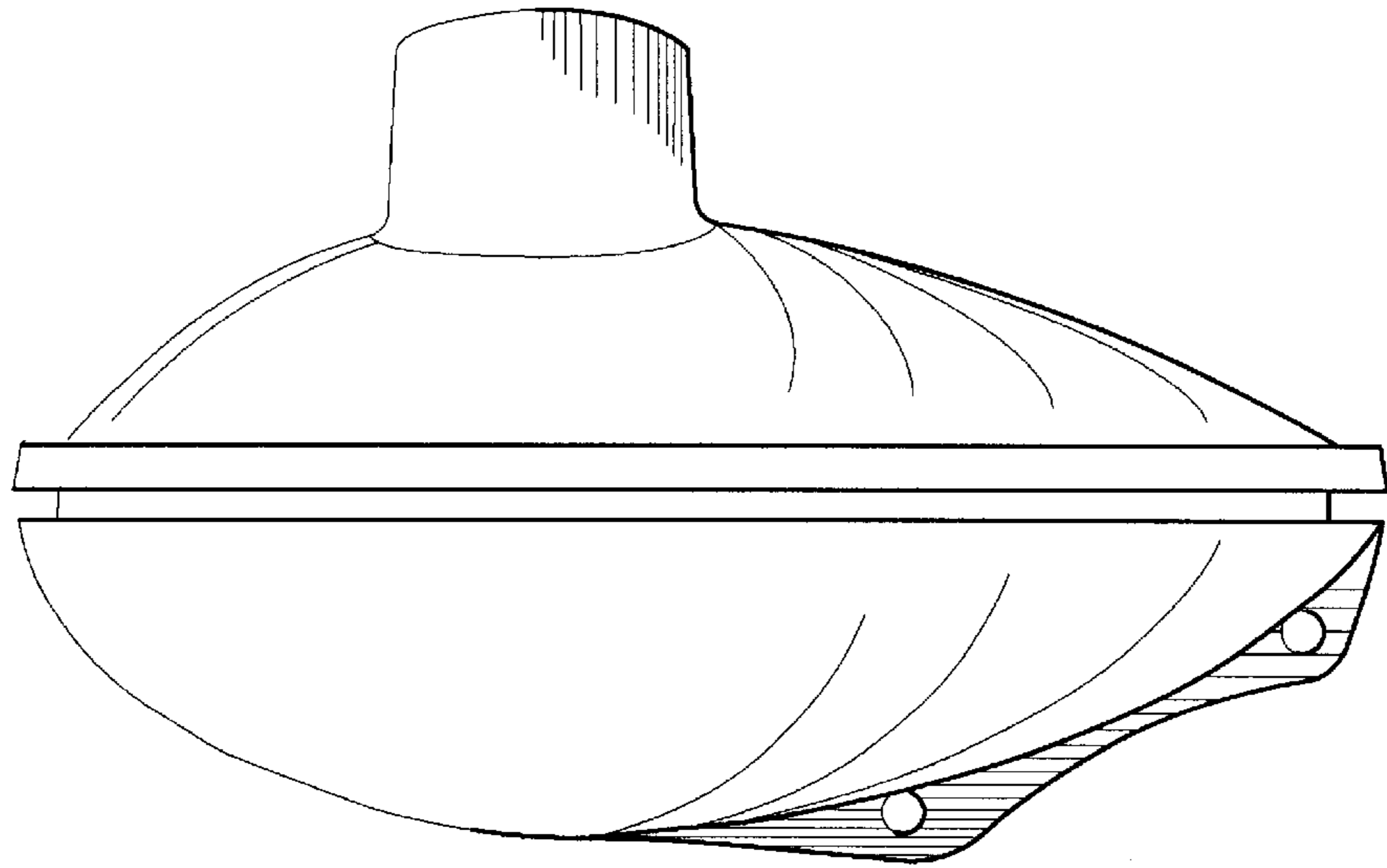


Fig. 3

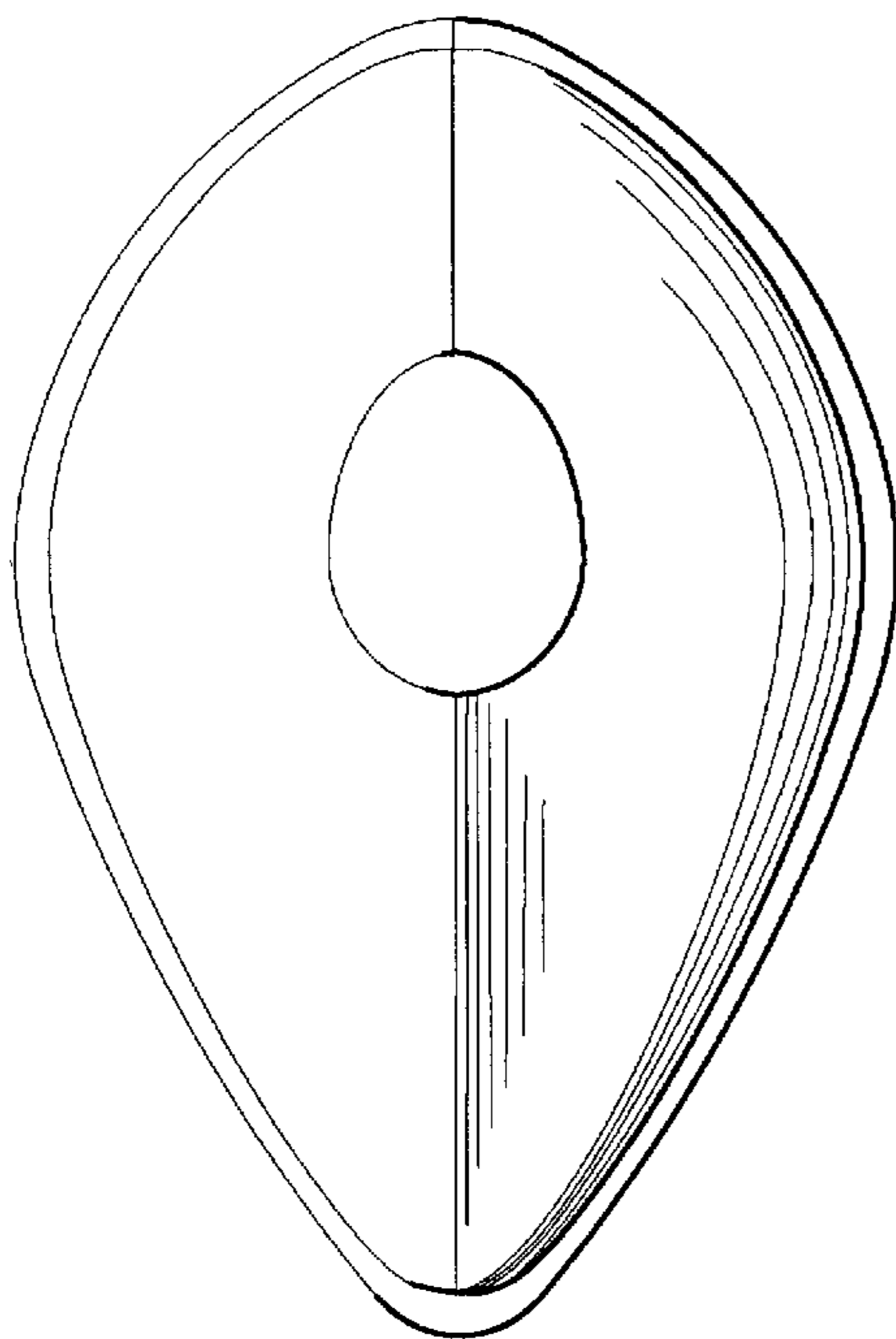


Fig. 4

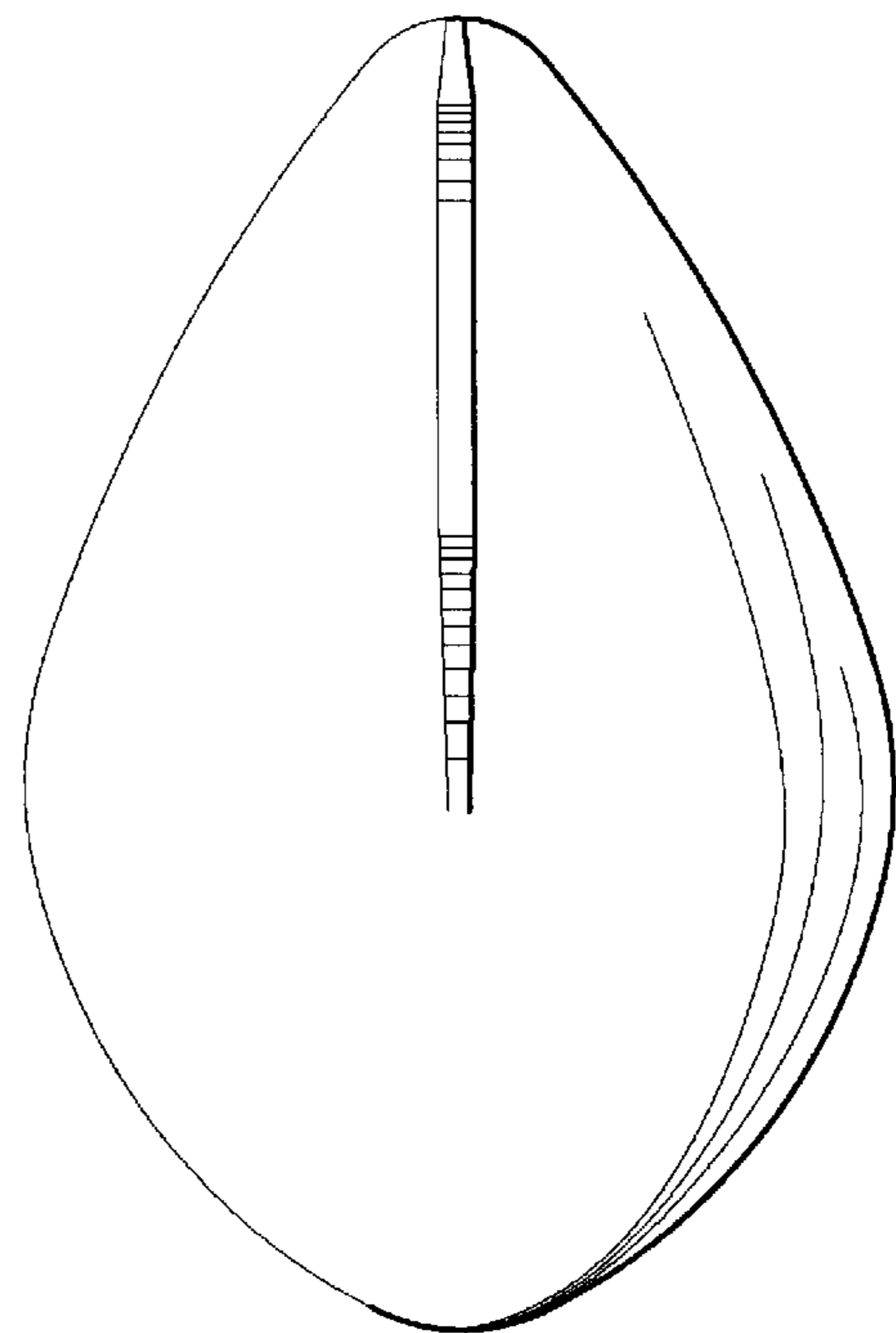


Fig. 5

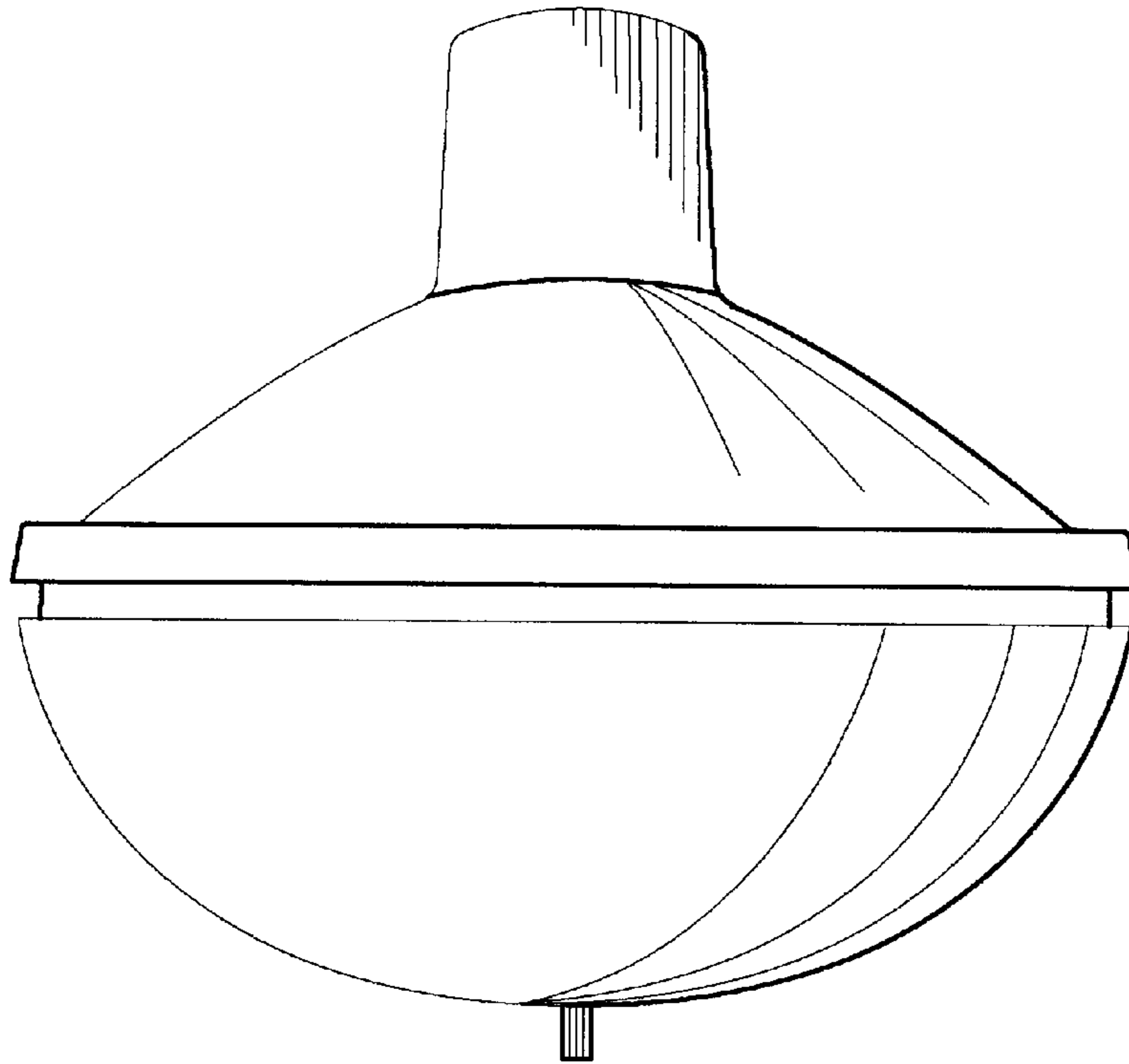


Fig. 6

