



US00D479474S

(12) **United States Design Patent**
Bedney, Jr. et al.

(10) **Patent No.:** **US D479,474 S**

(45) **Date of Patent:** **** Sep. 9, 2003**

(54) **PROCESS DEVICE**

6,445,962 B1 * 9/2002 Blevins et al. 700/37
6,510,351 B1 * 1/2003 Blevins et al. 700/18

(75) Inventors: **Paul R. Bedney, Jr.**, Prior Lake, MN (US); **Brian J. Vogt**, Coon Rapids, MN (US); **David M. Strei**, Chaska, MN (US); **David Pierce**, Afton, MN (US); **Charles R. Weber**, Eden Prairie, MN (US); **Troy L. Blazek**, Woodbury, MN (US)

OTHER PUBLICATIONS

U.S. patent application Ser. No. 09/570,268, Kirkpatrick et al., filed May 12, 2000, pending.

* cited by examiner

Primary Examiner—Antoine Duval Davis

(73) Assignee: **Rosemount Inc.**, Eden Prairie, MN (US)

(74) *Attorney, Agent, or Firm*—Westman, Champlin & Kelly, P.A.

(**) Term: **14 Years**

(57) **CLAIM**

(21) Appl. No.: **29/150,904**

The ornamental design for a process device, as shown and described.

(22) Filed: **Nov. 30, 2001**

Related U.S. Application Data

DESCRIPTION

(63) Continuation of application No. 09/570,268, filed on May 12, 2000.

(51) **LOC (7) Cl.** **10-04**

(52) **U.S. Cl.** **D10/46; D10/75**

(58) **Field of Search** D10/46, 75; 700/27, 700/28, 37, 52, 54, 71, 18, 87, 42, 48, 50; 702/60, 64

FIG. 1 is a perspective view;
FIG. 2 is a top plan view;
FIG. 3 is a front elevational view;
FIG. 4 is a right side view;
FIG. 5 is a left side view;
FIG. 6 is a rear elevational view; and,
FIG. 7 is a bottom plan view.

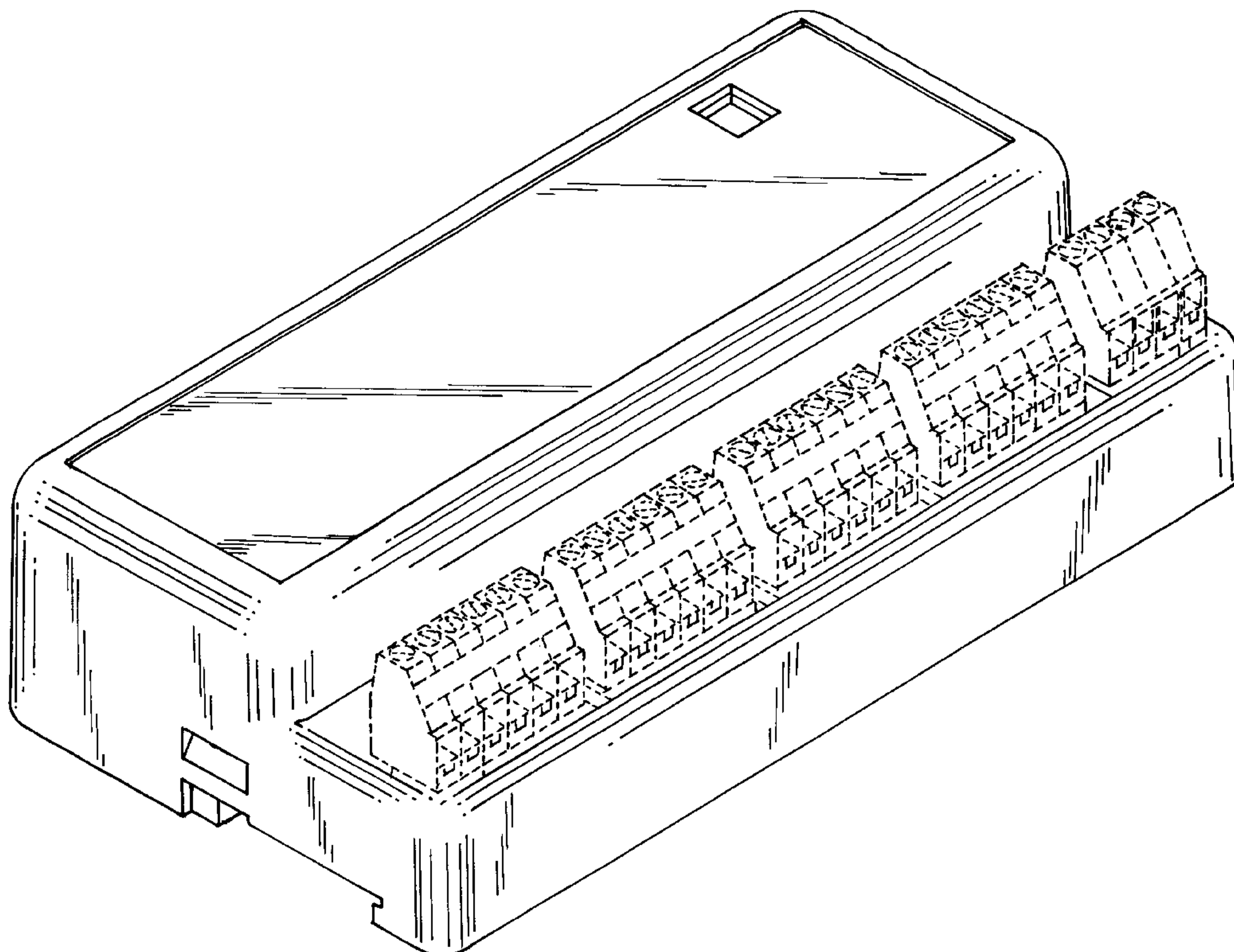
The broken line showing is for illustrative purposes only and forms no part of the claimed design.

(56) **References Cited**

U.S. PATENT DOCUMENTS

5,883,802 A * 3/1999 Harris 700/28

1 Claim, 7 Drawing Sheets



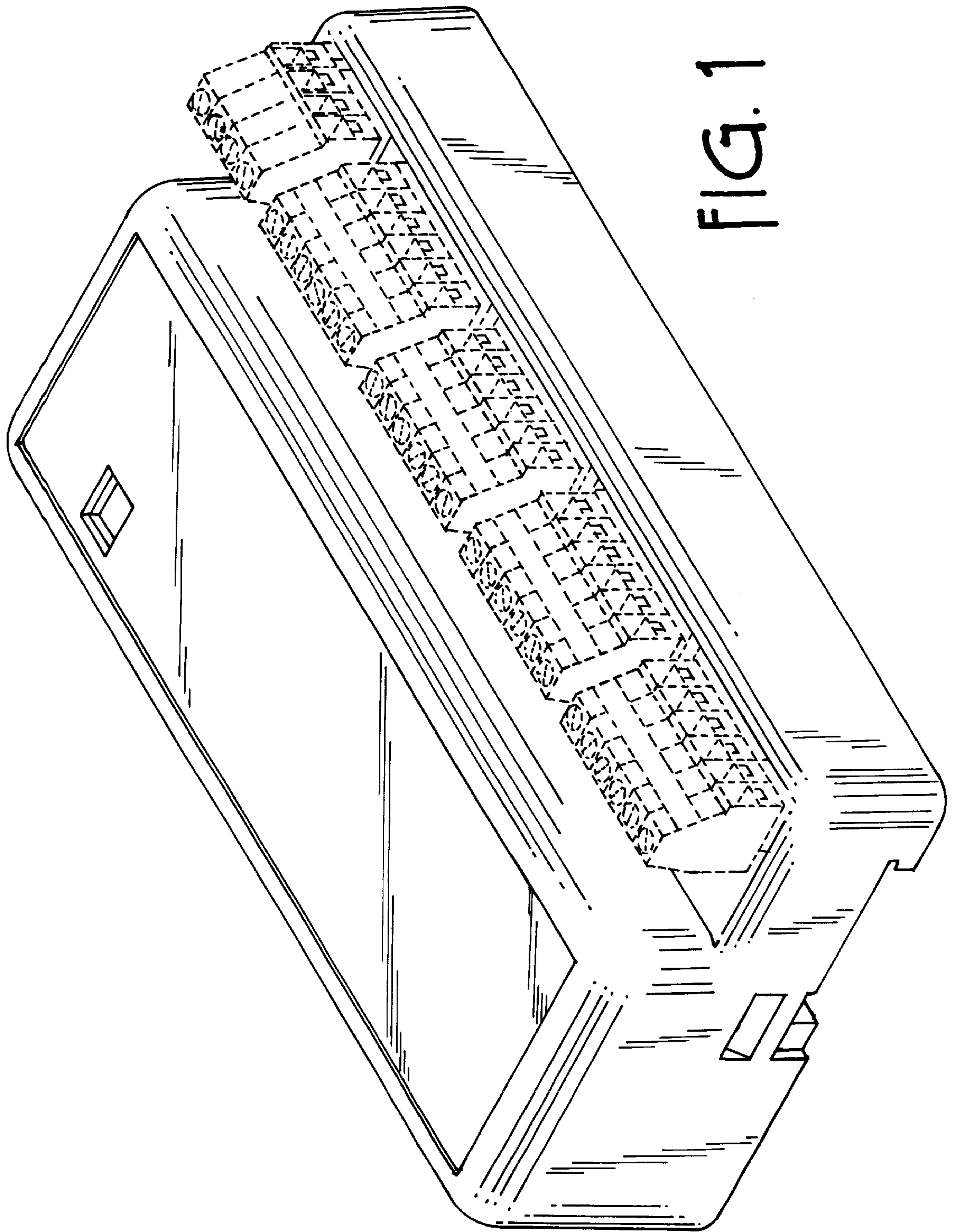


FIG. 1

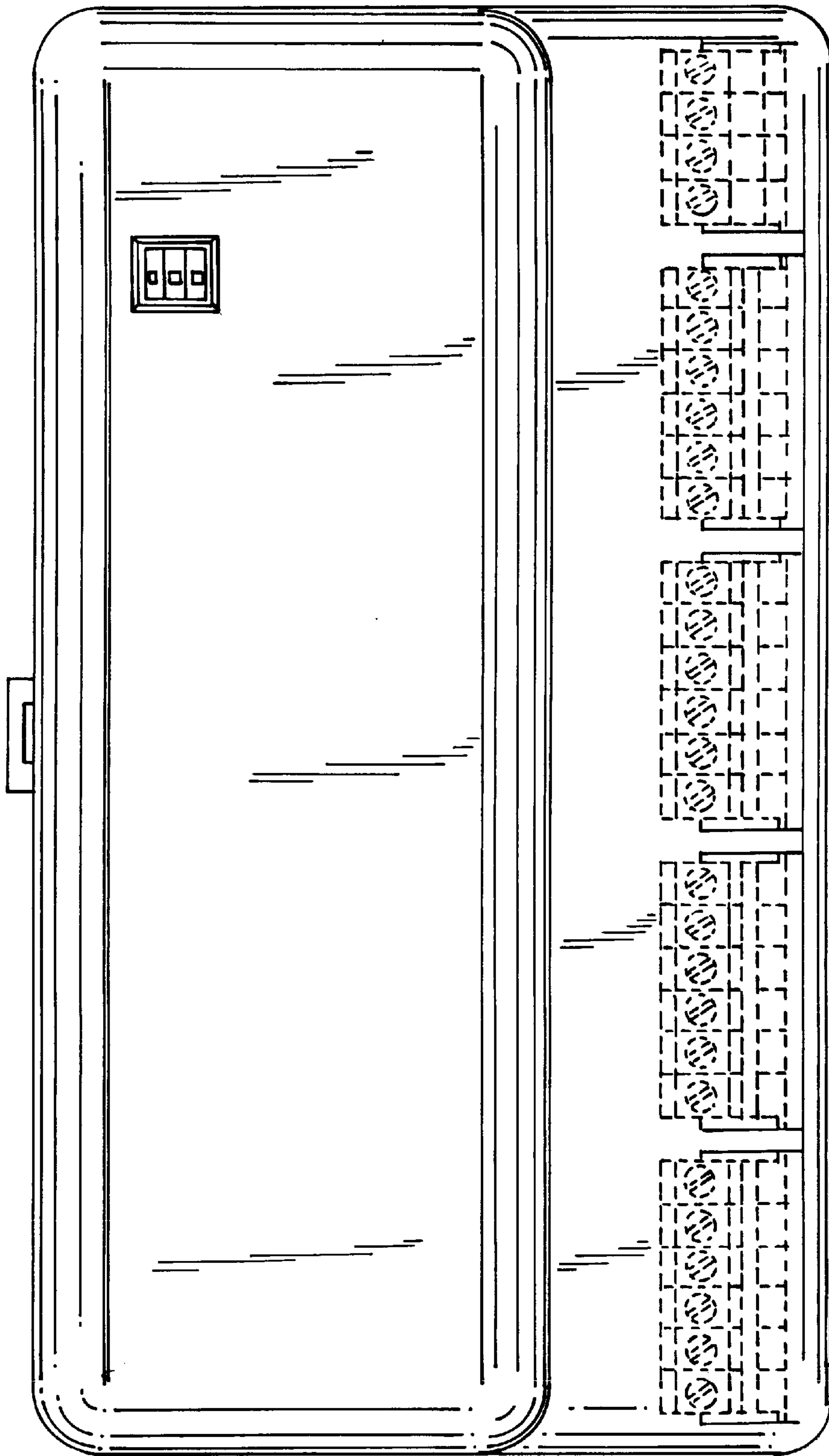


FIG. 2

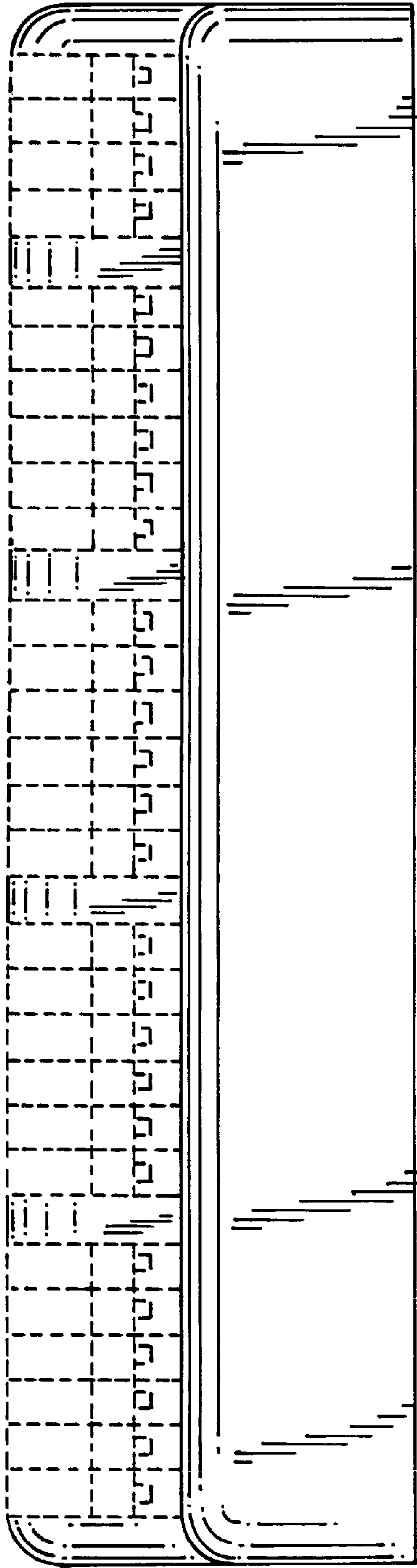


FIG. 3

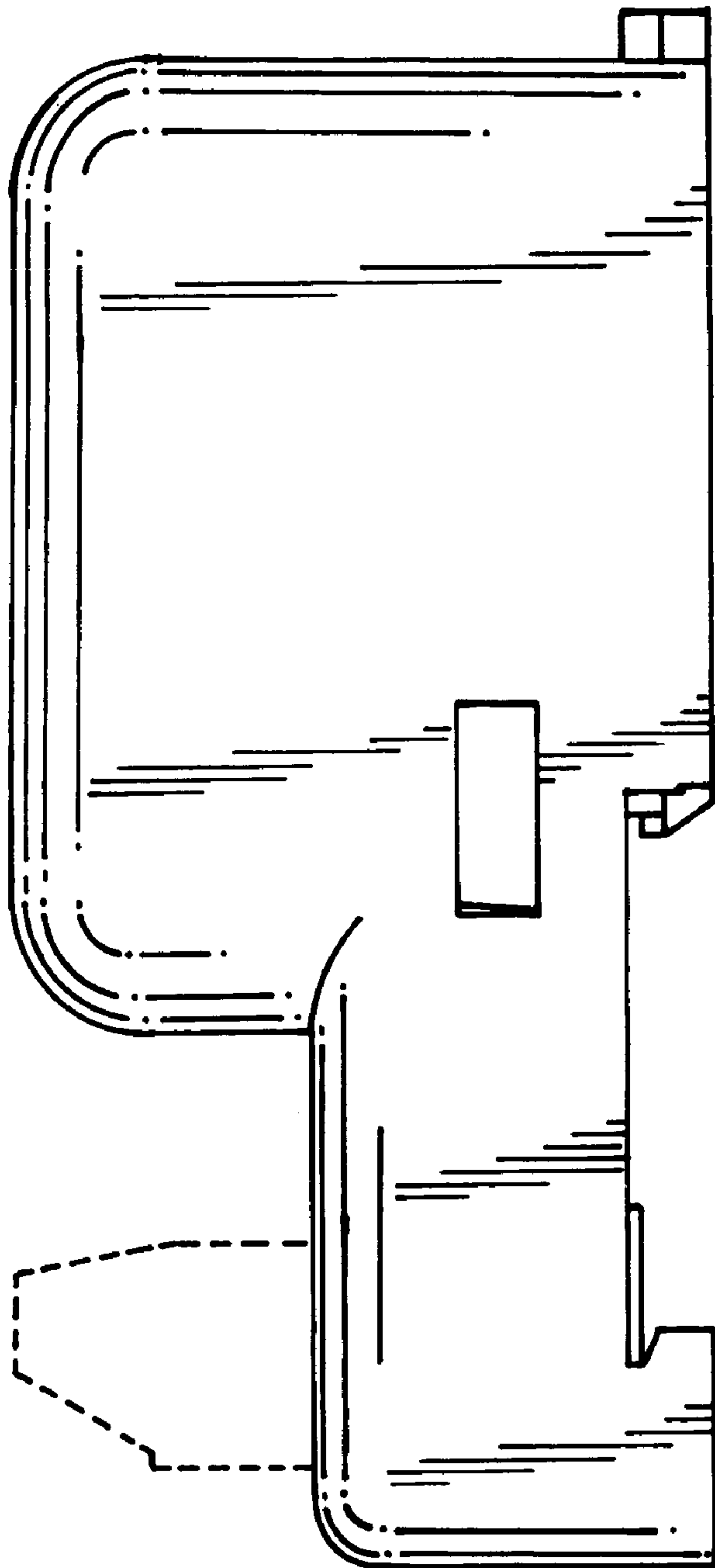


FIG. 4

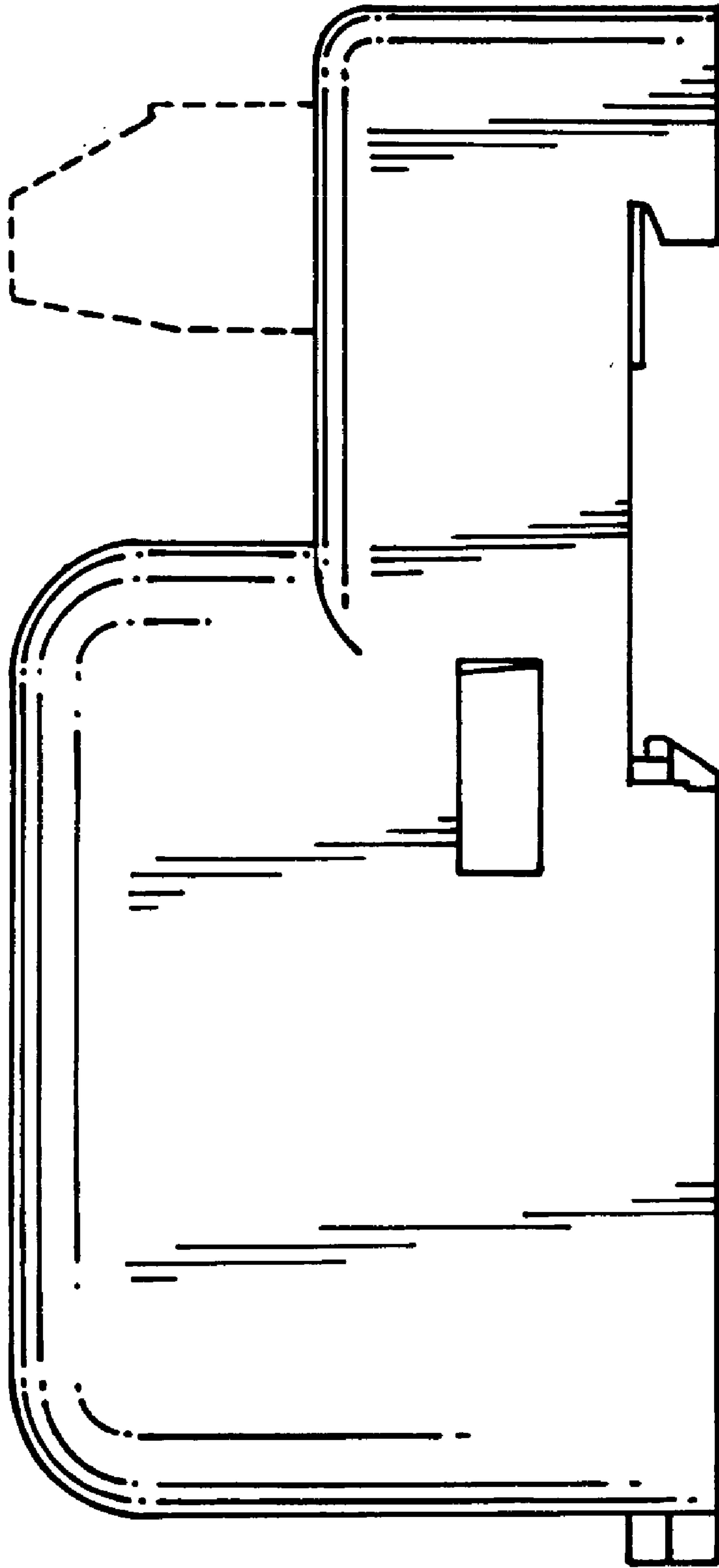


FIG. 5

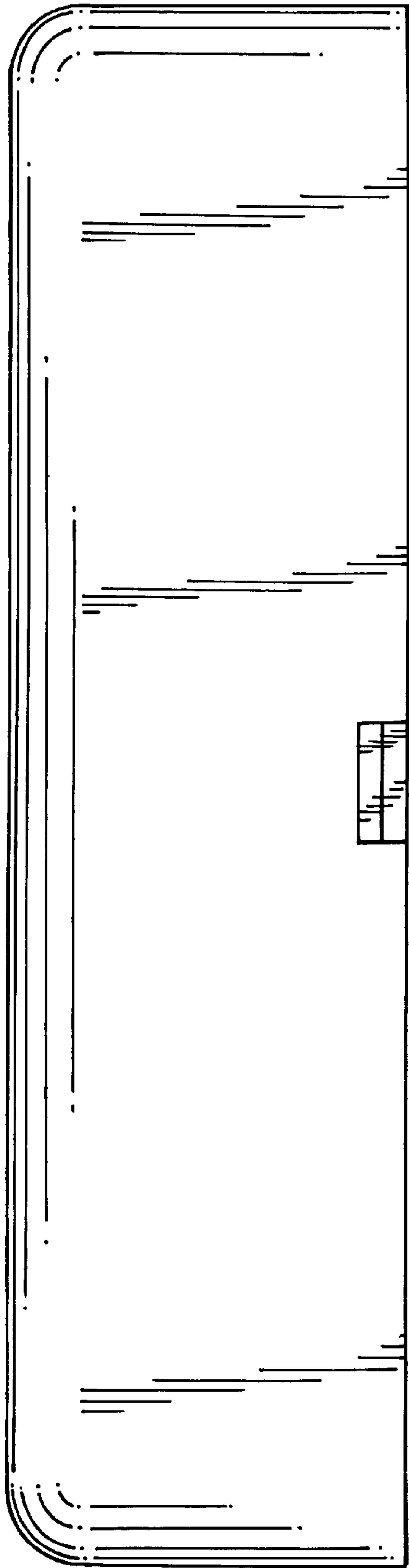


FIG. 6

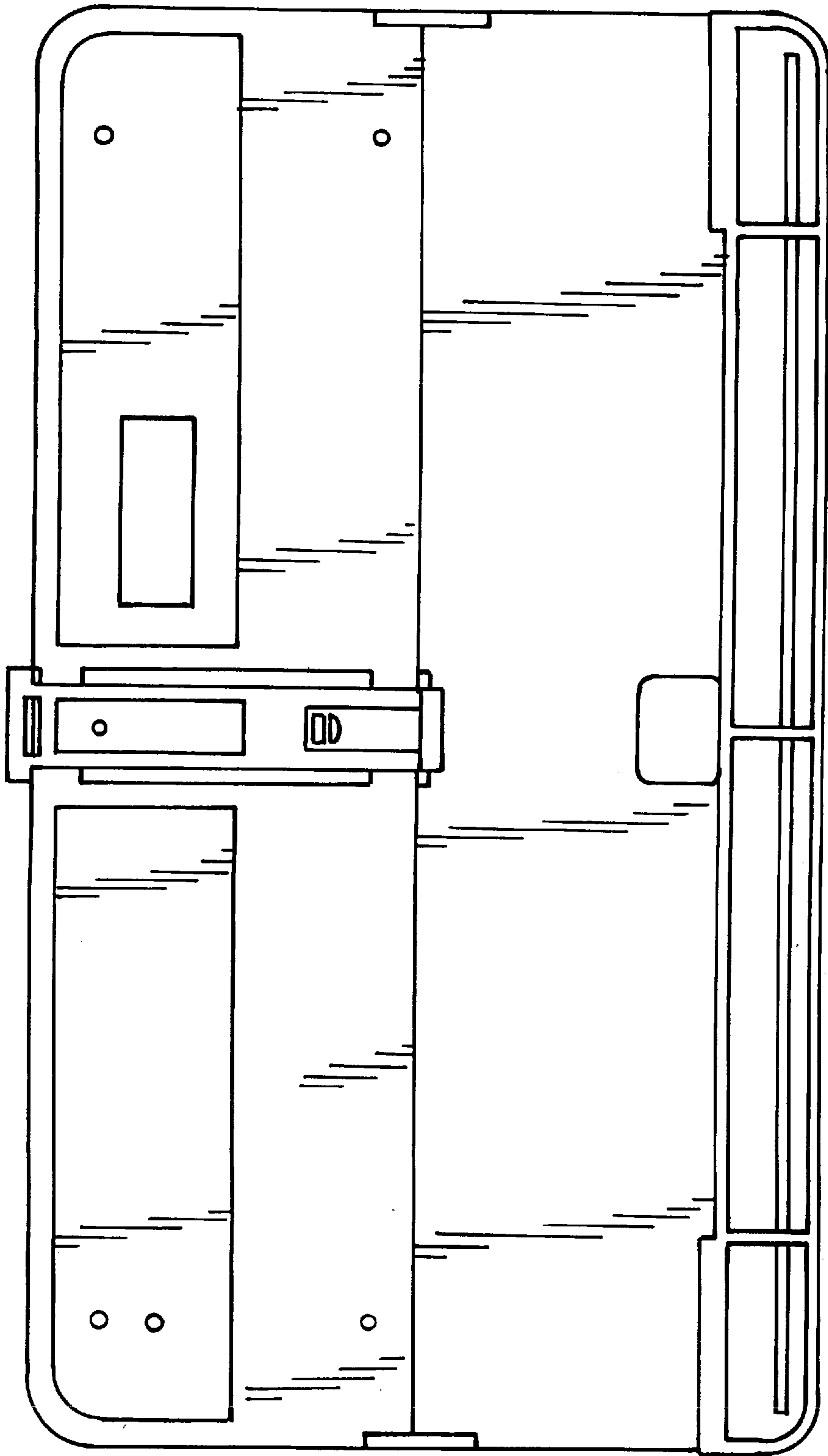


FIG. 7