



US00D479468S

(12) **United States Design Patent**
Dorn et al.

(10) **Patent No.: US D479,468 S**

(45) **Date of Patent: ** Sep. 9, 2003**

(54) **CONTAINER BODY PORTION**

(75) Inventors: **James C. Dorn**, Norton, OH (US);
Richard A. Lovelace, Jr., Akron, OH (US);
Richard C. Darr, Medina, OH (US);
John P. Reynolds, Akron, OH (US)

(73) Assignee: **Plastipak Packaging, Inc.**, Plymouth, MI (US)

(**) Term: **14 Years**

(21) Appl. No.: **29/154,168**

(22) Filed: **Jan. 17, 2002**

(51) **LOC (7) Cl. 09-03**

(52) **U.S. Cl. D9/531**

(58) **Field of Search** D9/516, 520, 523,
D9/526, 527, 528, 530, 531, 535, 559,
560, 569, 570, 572, 573, 574, 575; 206/527,
822; 215/40, 316, 400; 220/890

(56) **References Cited**

U.S. PATENT DOCUMENTS

D214,021 S	*	5/1969	Bacialli	D9/7
D229,483 S	*	12/1973	Cutler	D9/3
D272,318 S	*	1/1984	Visser	D9/520
D273,661 S	*	5/1984	Widmer	D9/527
D287,226 S	*	12/1986	Lyons	D9/520
D305,504 S	*	1/1990	Fischer et al.	D9/520
D360,135 S	*	7/1995	Balz	D9/520
6,338,415 B1		1/2002	Grob	215/398

* cited by examiner

Primary Examiner—Ted Shooman

Assistant Examiner—Daniel Bui

(74) *Attorney, Agent, or Firm*—Rader, Fishman & Grauer PLLC

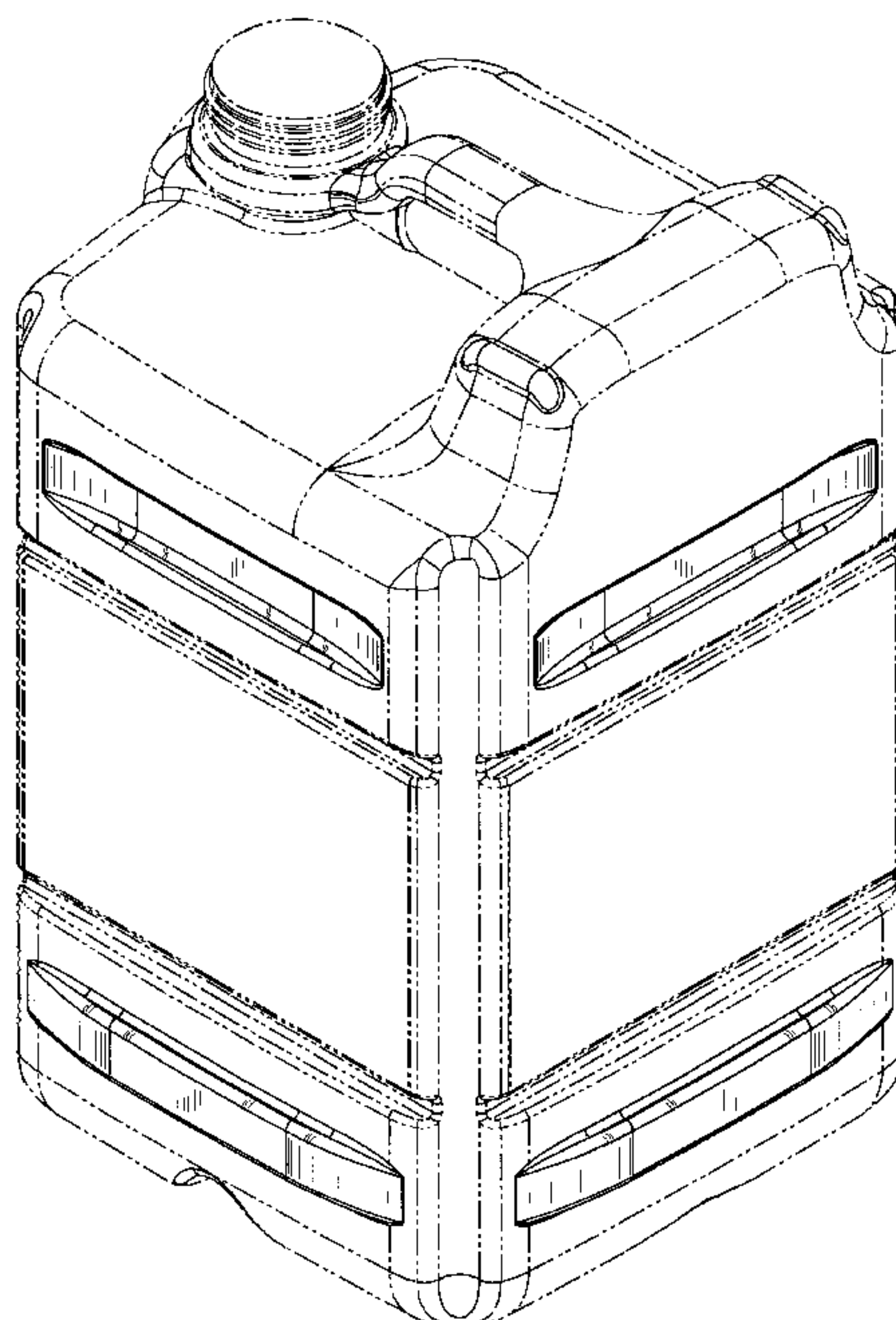
(57) **CLAIM**

The ornamental design for a container body portion, as shown and described.

DESCRIPTION

FIG. 1 is a perspective view of a first embodiment of our container body portion;
 FIG. 2 is a front elevation view thereof;
 FIG. 3 is a rear elevation view thereof;
 FIG. 4 is a left side elevation view thereof;
 FIG. 5 is a right side elevation view thereof;
 FIG. 6 is a top plan view thereof;
 FIG. 7 is a perspective view of a second embodiment of our container body portion;
 FIG. 8 is a front elevation view thereof;
 FIG. 9 is a rear elevation view thereof;
 FIG. 10 is a left side elevation view thereof;
 FIG. 11 is a right side elevation view thereof;
 FIG. 12 is a perspective view of a third embodiment of our container body portion;
 FIG. 13 is a front elevation view thereof;
 FIG. 14 is a rear elevation view thereof;
 FIG. 15 is a left side elevation view thereof;
 FIG. 16 is a right side elevation view thereof;
 FIG. 17 is a perspective view of a fourth embodiment of our container body portion;
 FIG. 18 is a front elevation view thereof;
 FIG. 19 is a rear elevation view thereof;
 FIG. 20 is a left side elevation view thereof; and,
 FIG. 21 is a right side elevation view thereof.
 The broken lines in the drawings are for illustrative purposes only and do not form a part of the claimed design.

1 Claim, 21 Drawing Sheets



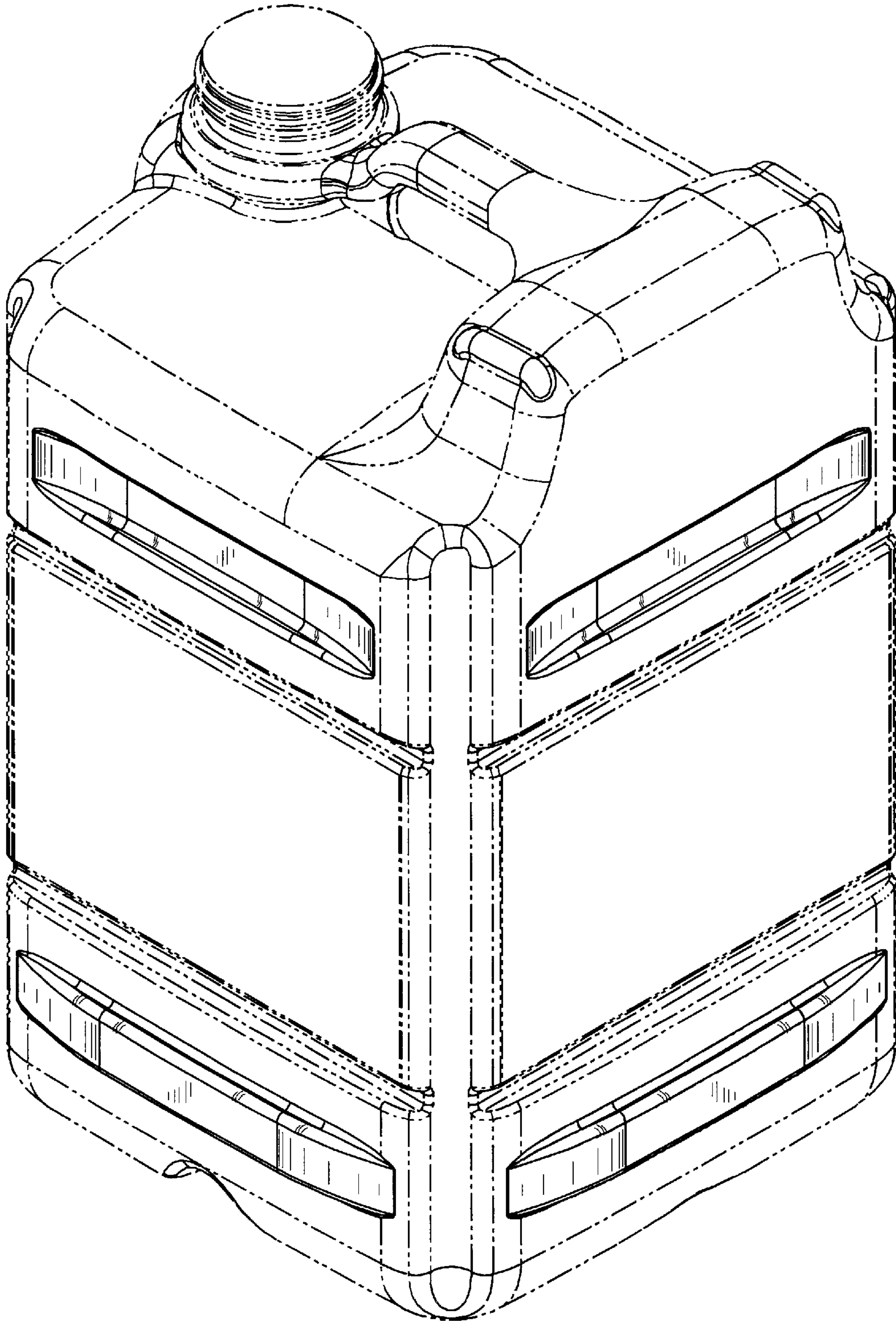


FIG. 1

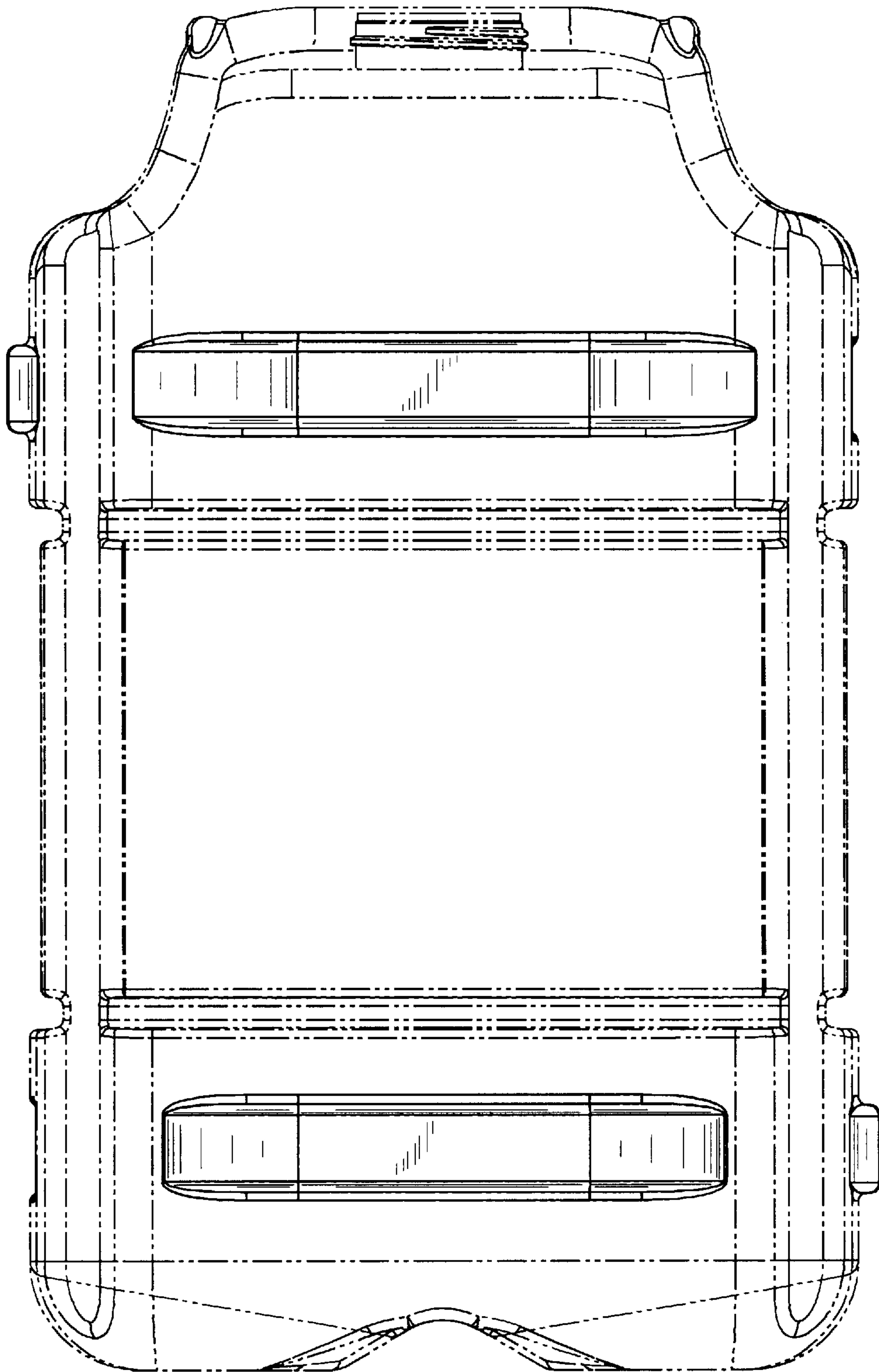


FIG. 2

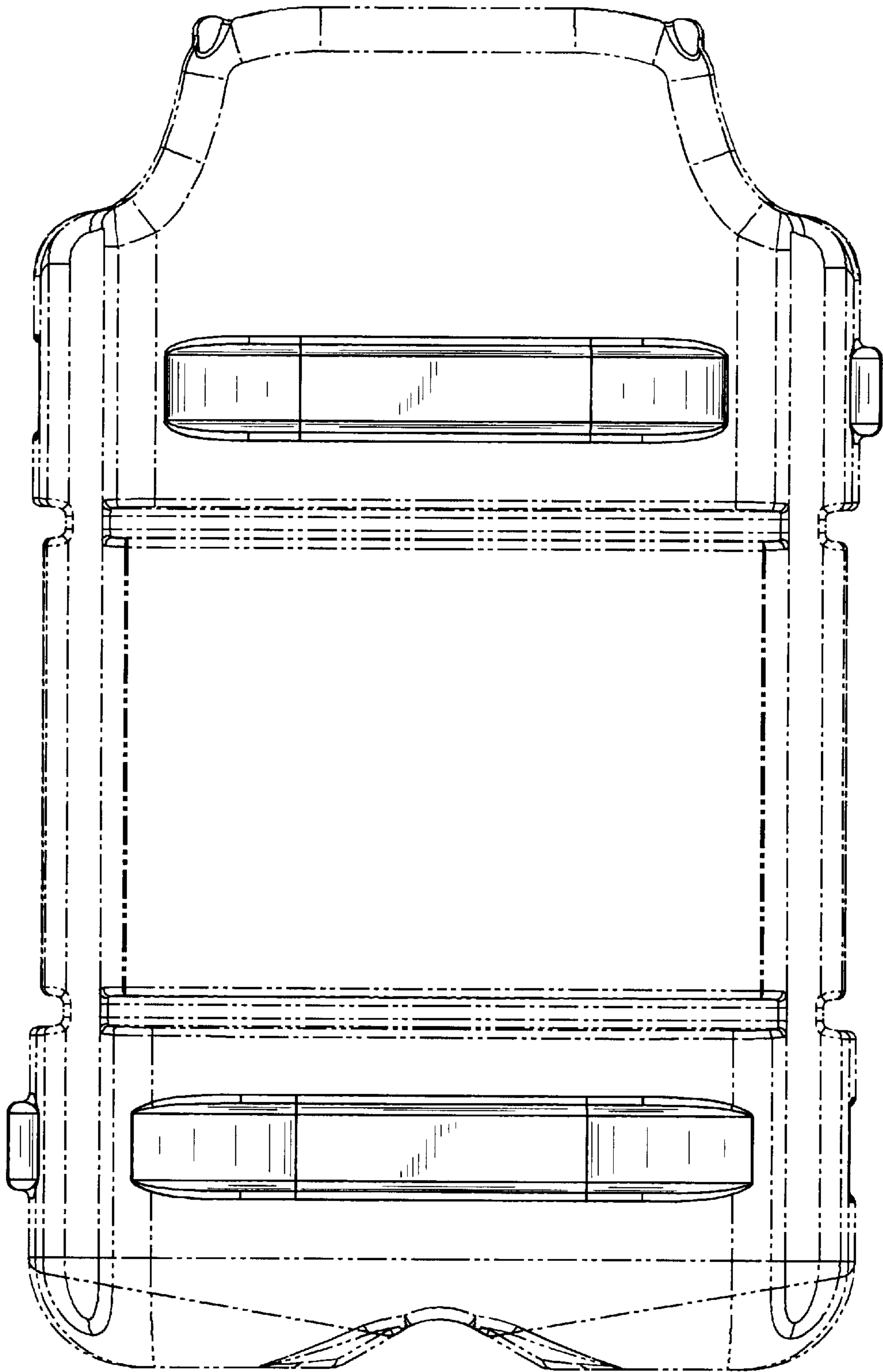


FIG. 3

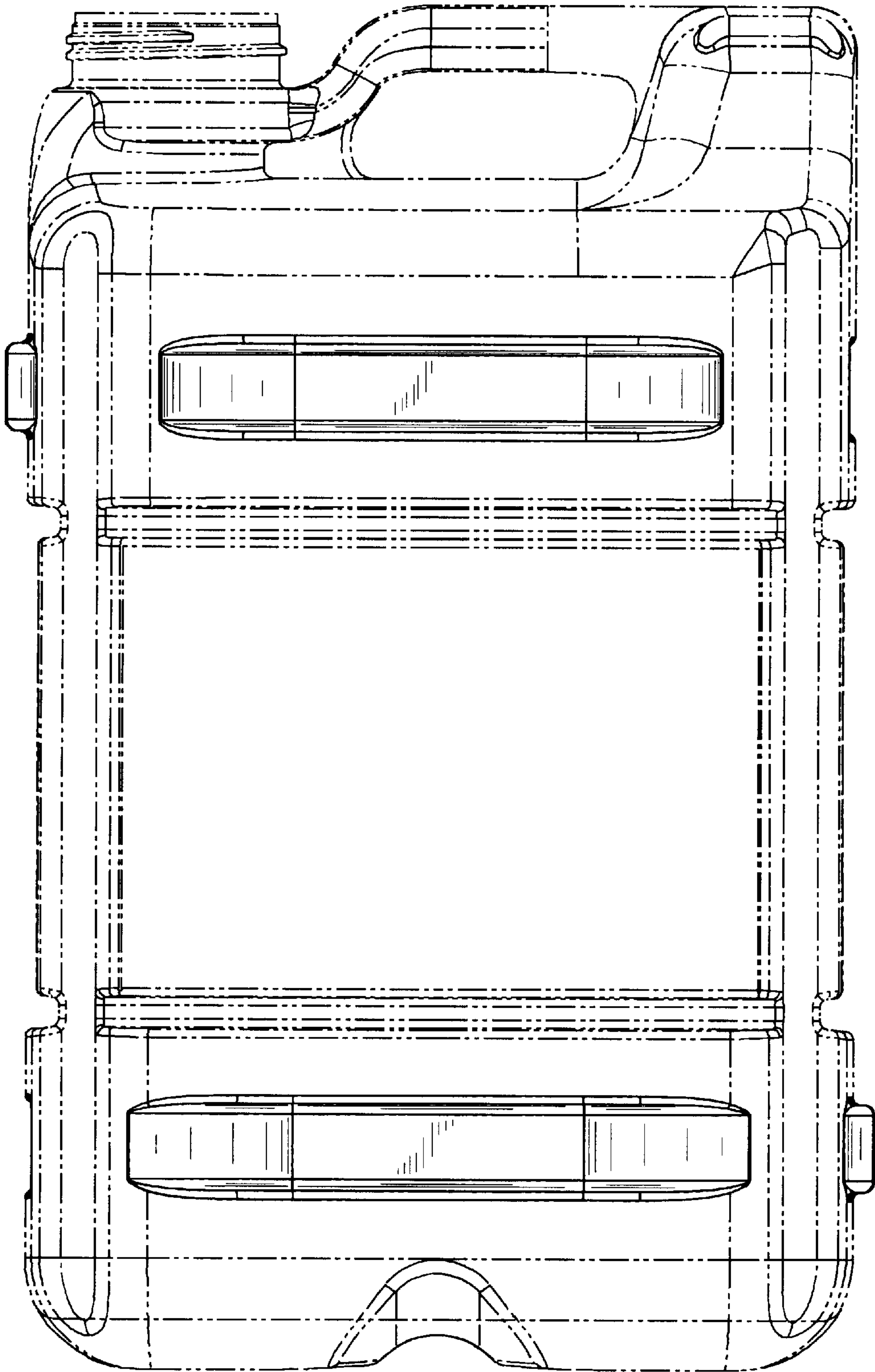


FIG. 4

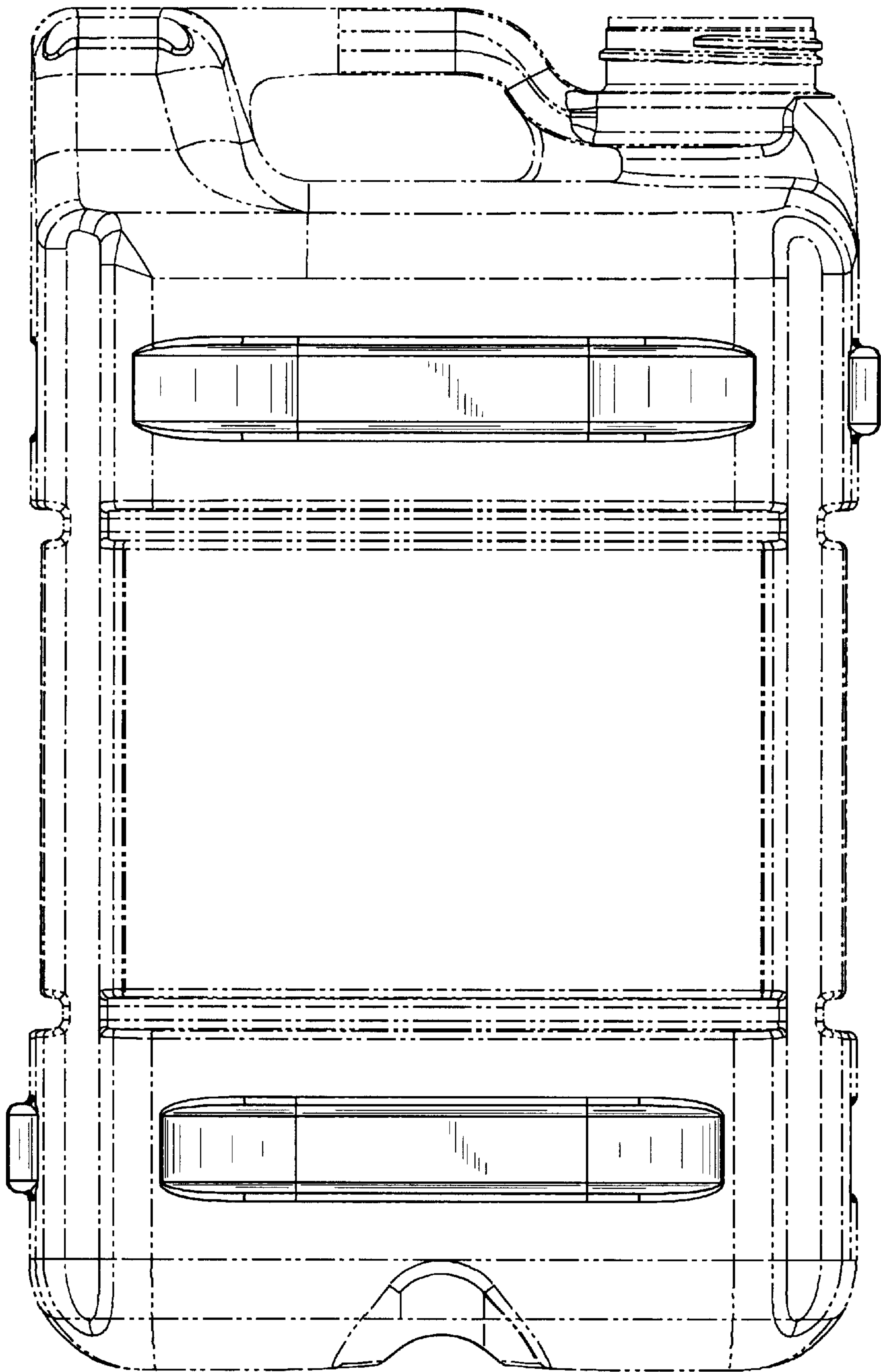


FIG. 5

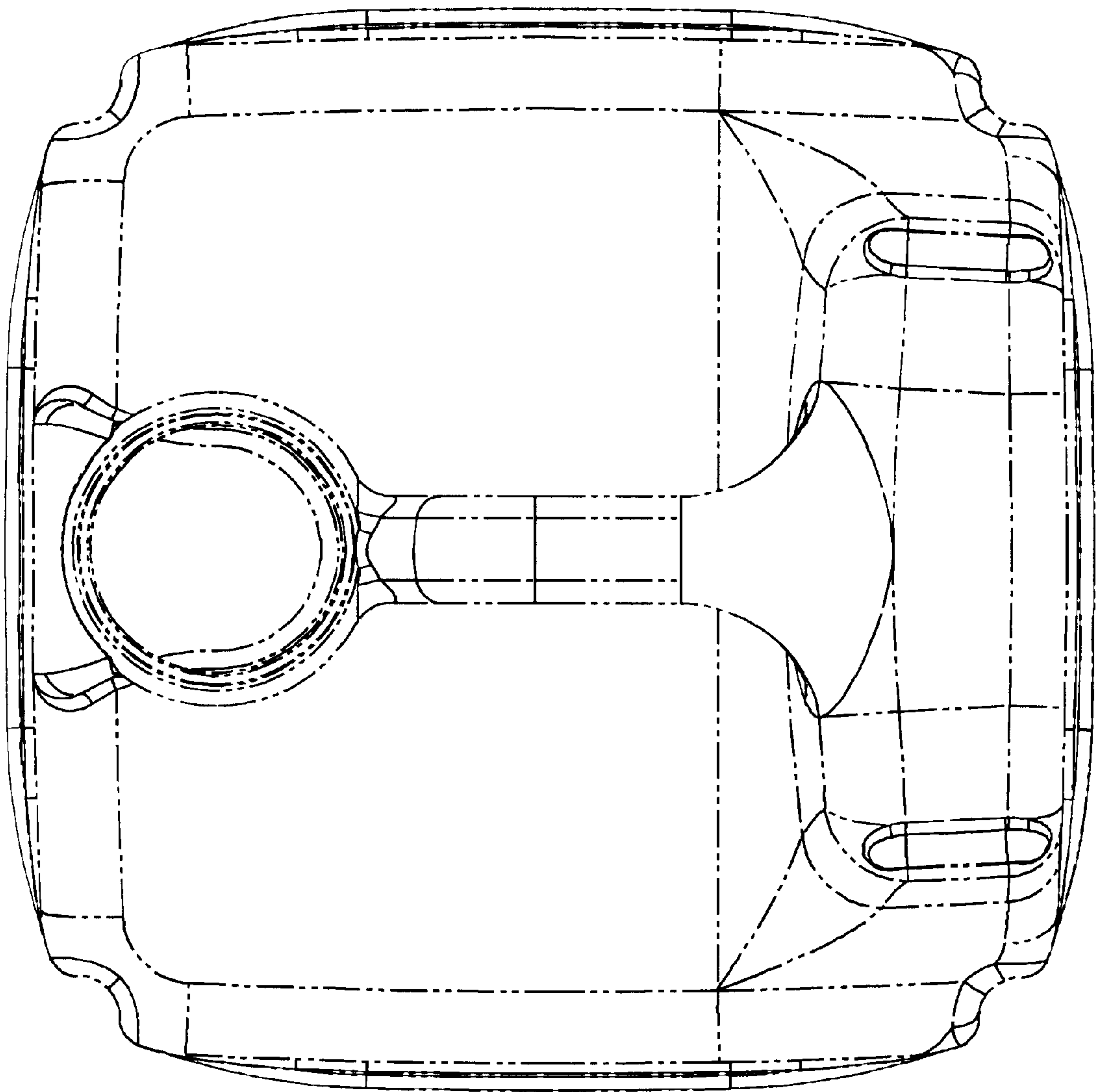


FIG. 6

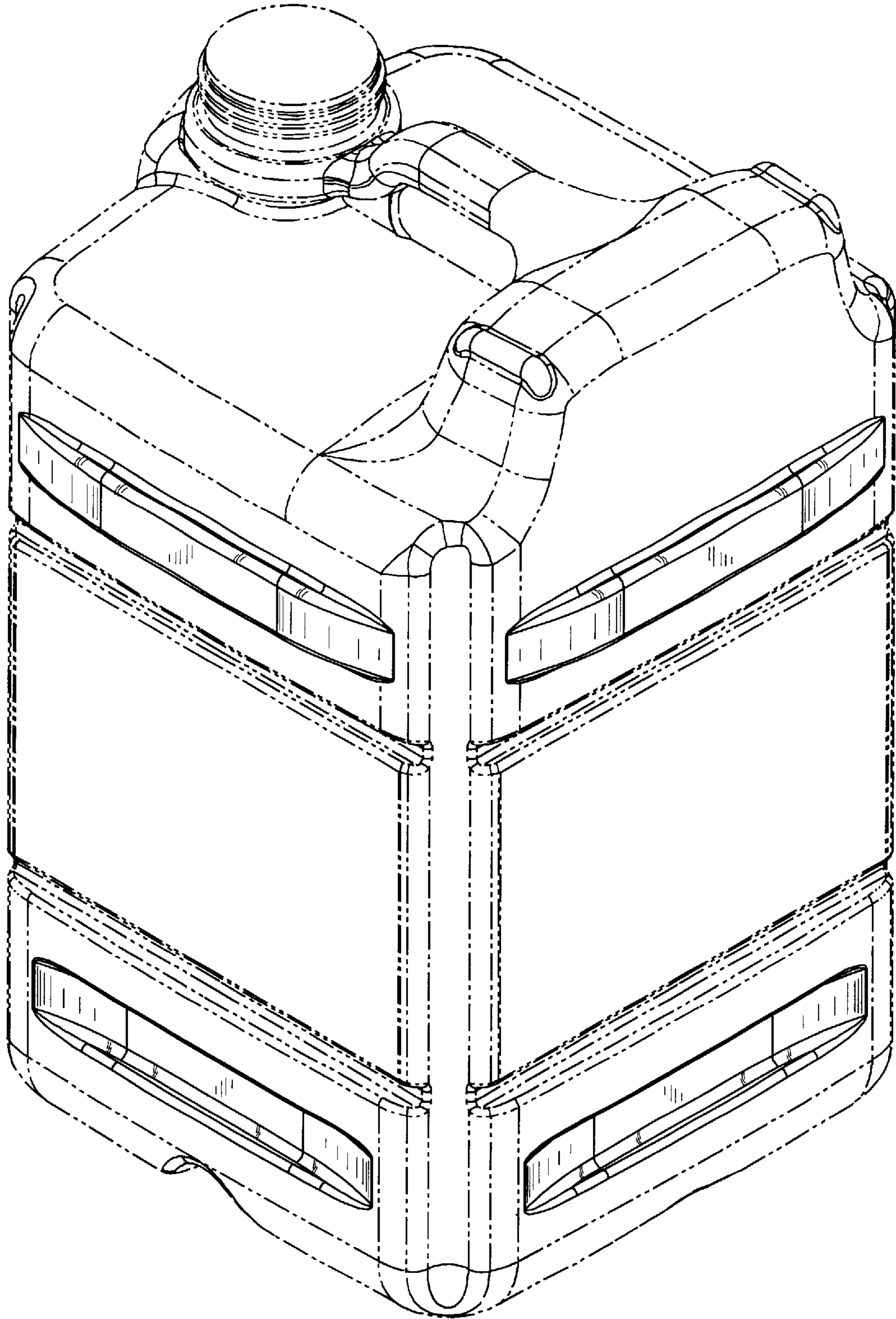


FIG. 7

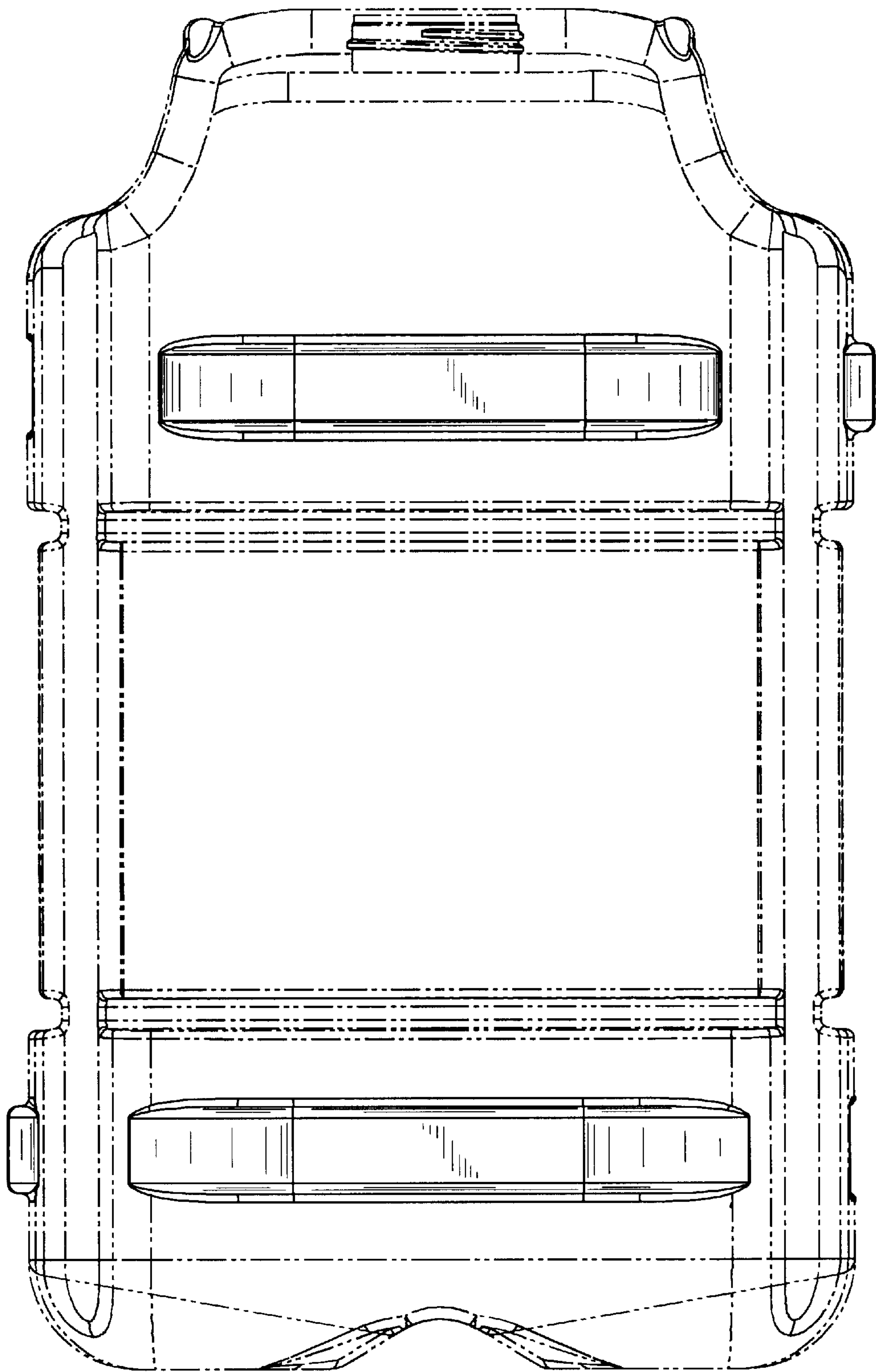


FIG. 8

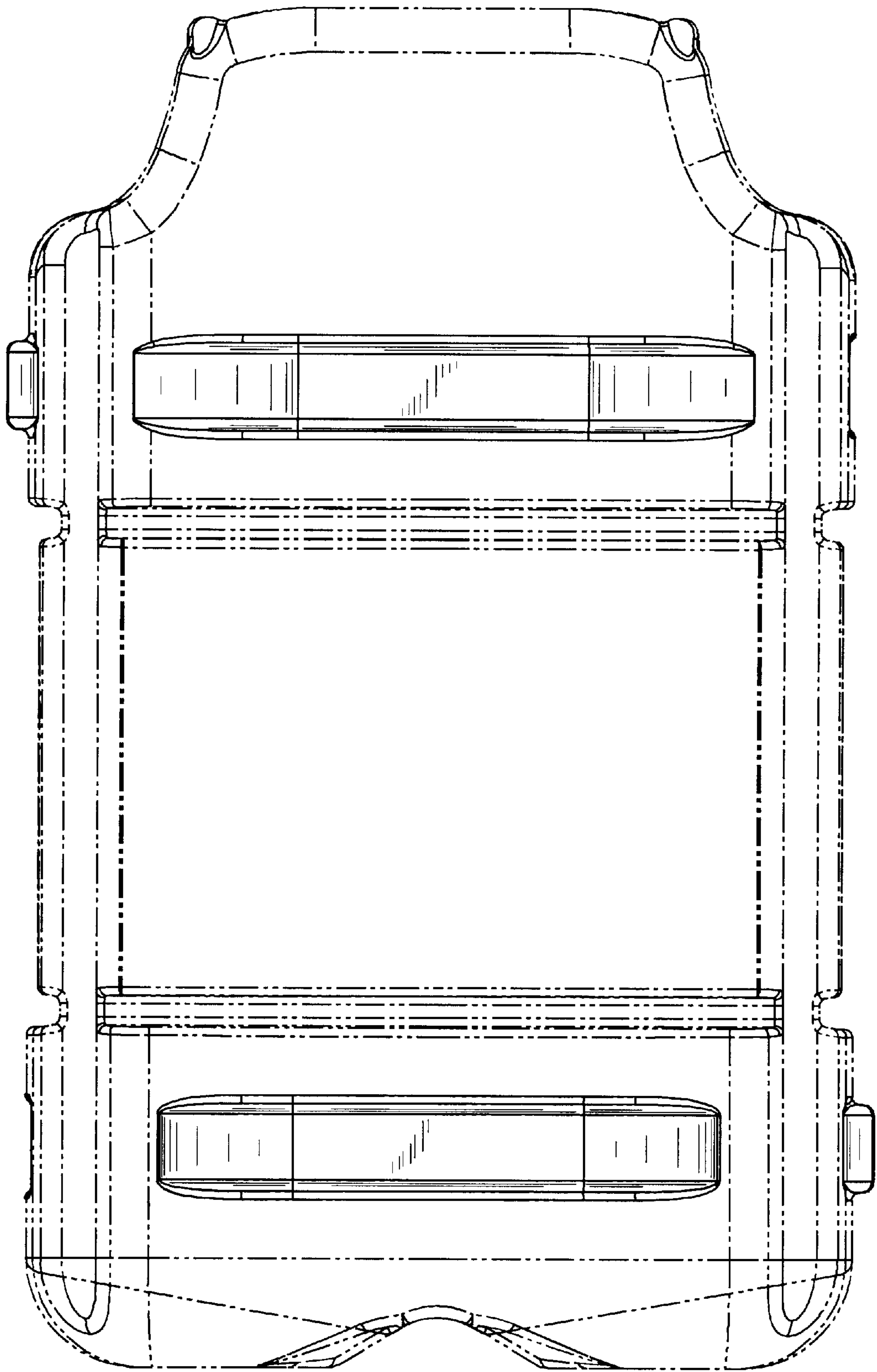


FIG. 9

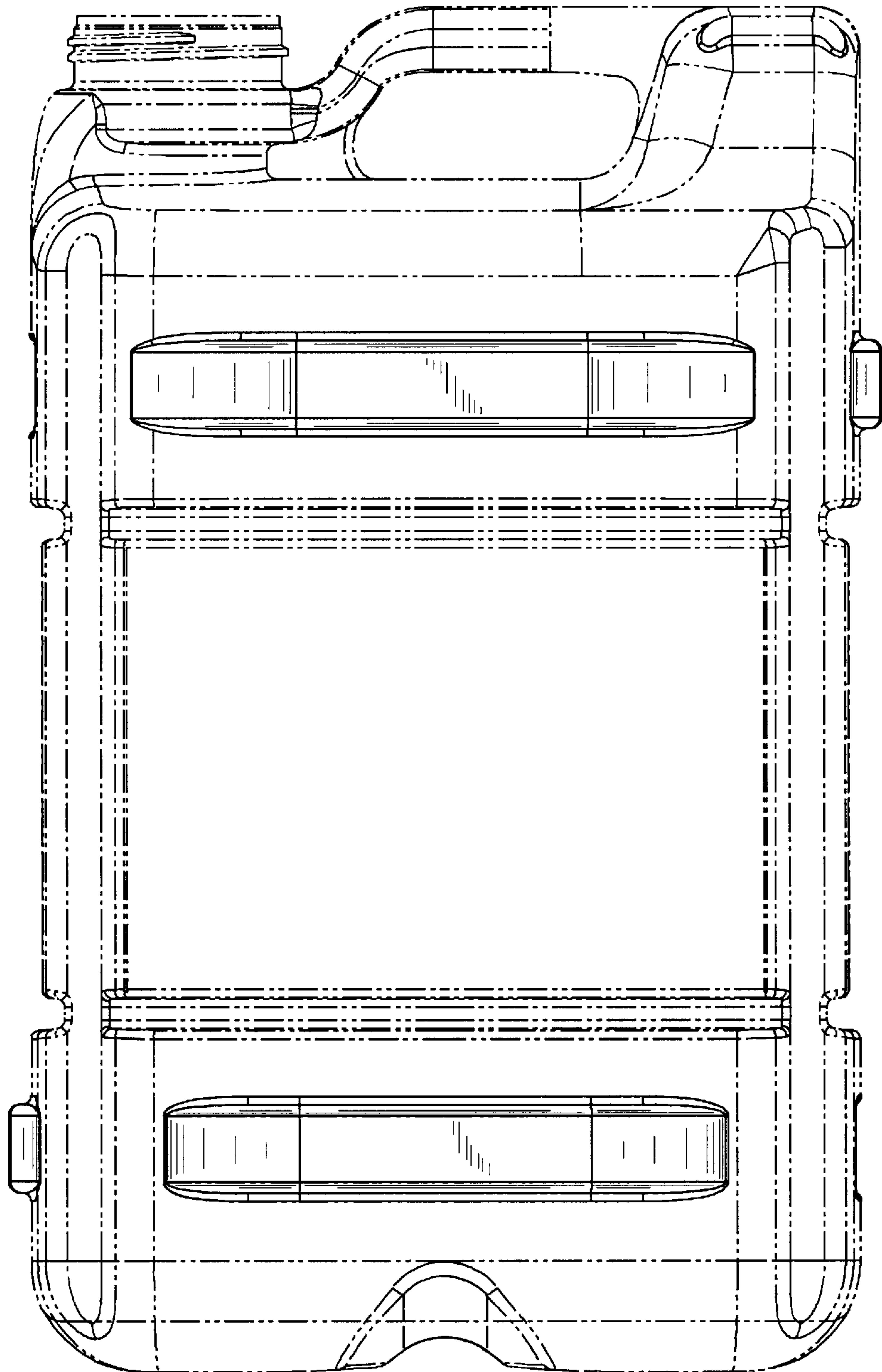


FIG. 10

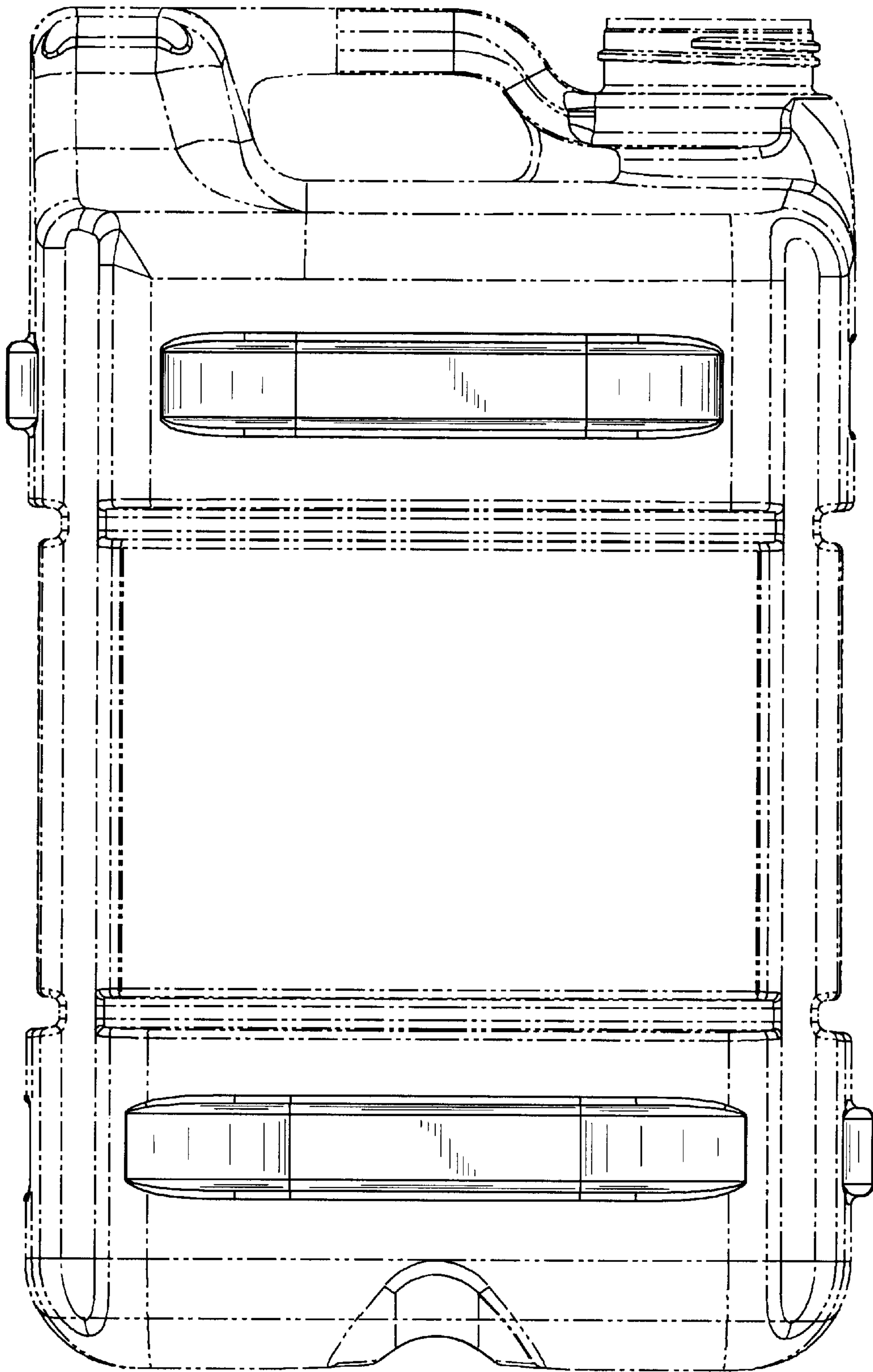


FIG. 11

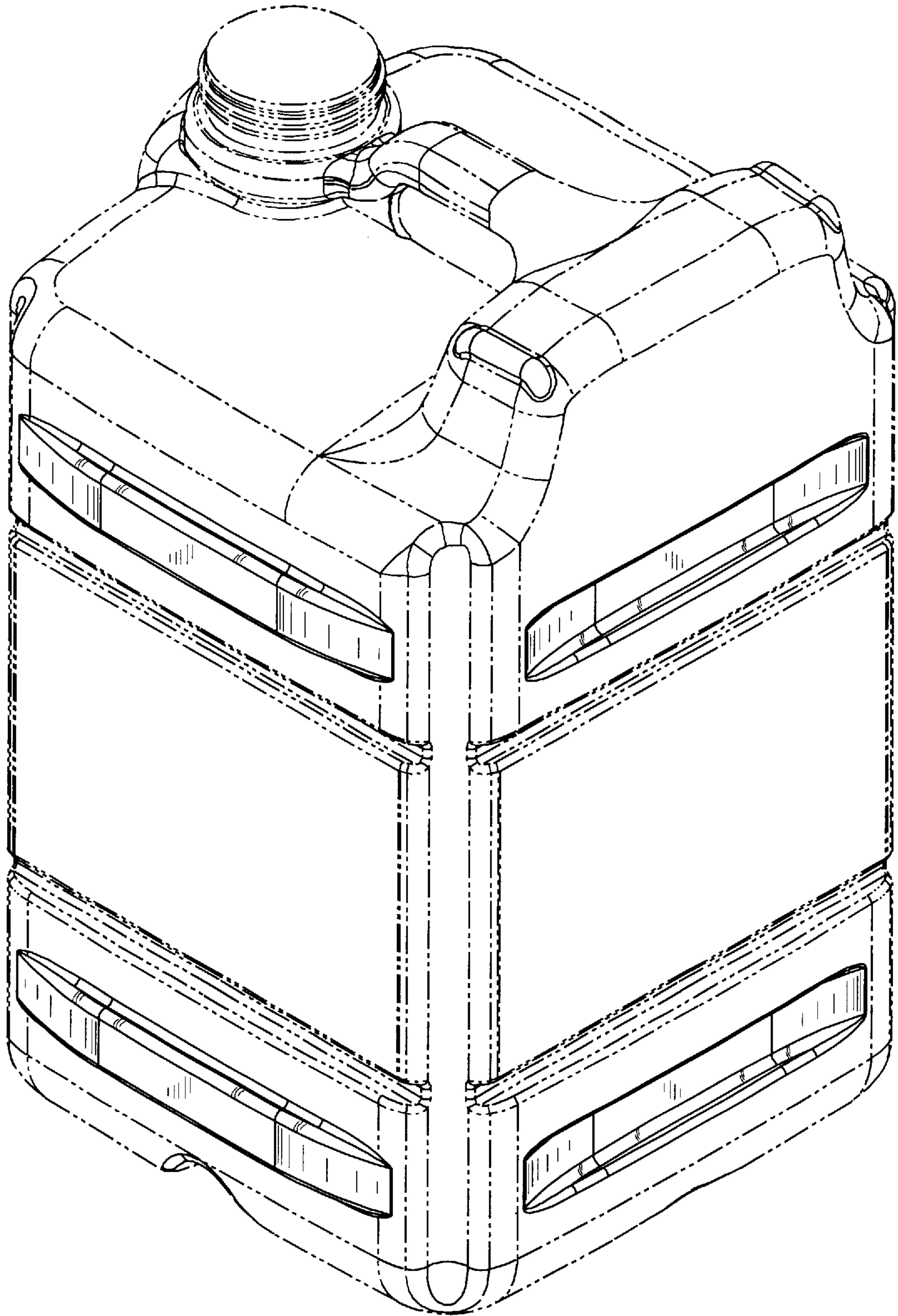


FIG. 12

W

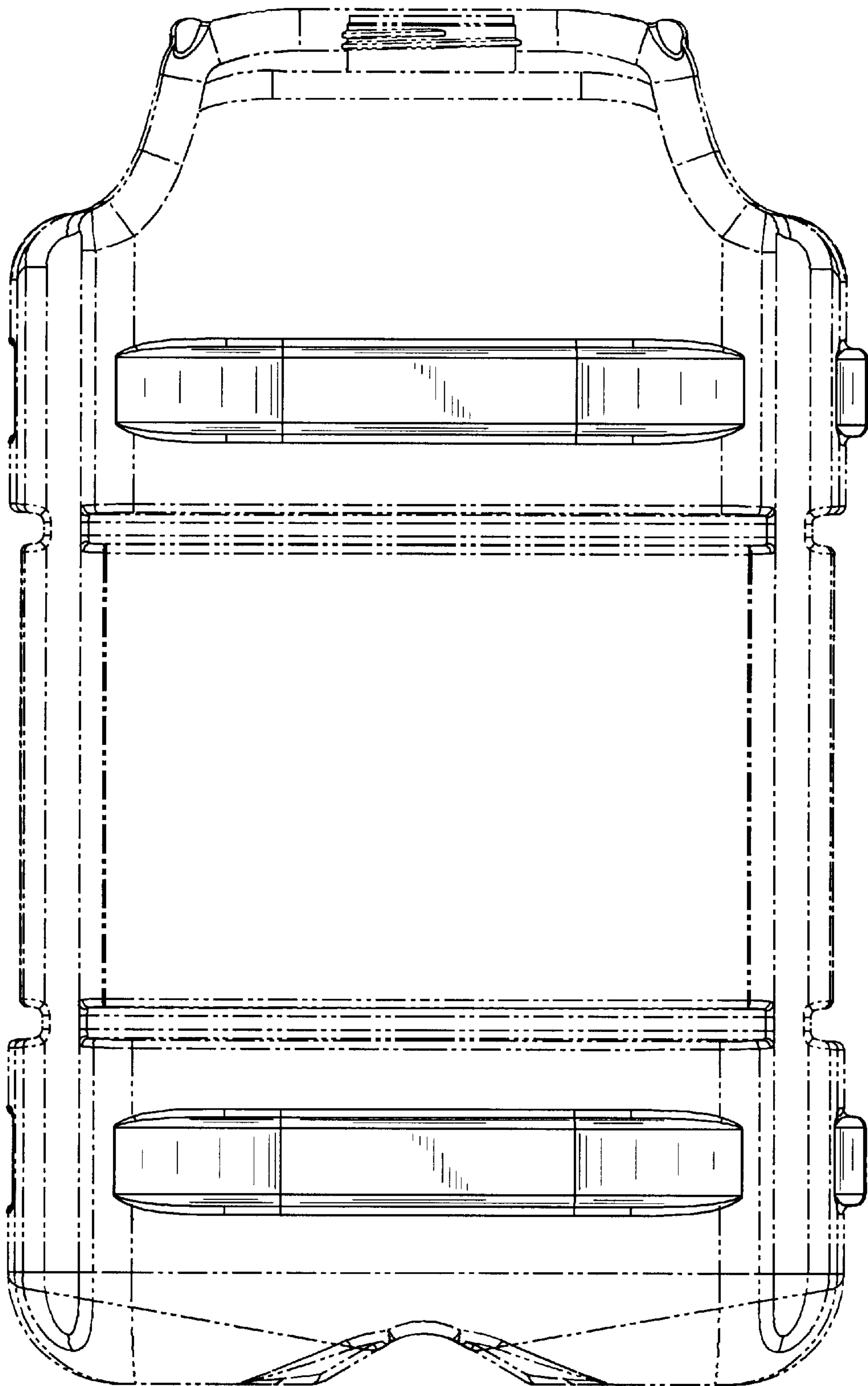


FIG. 13

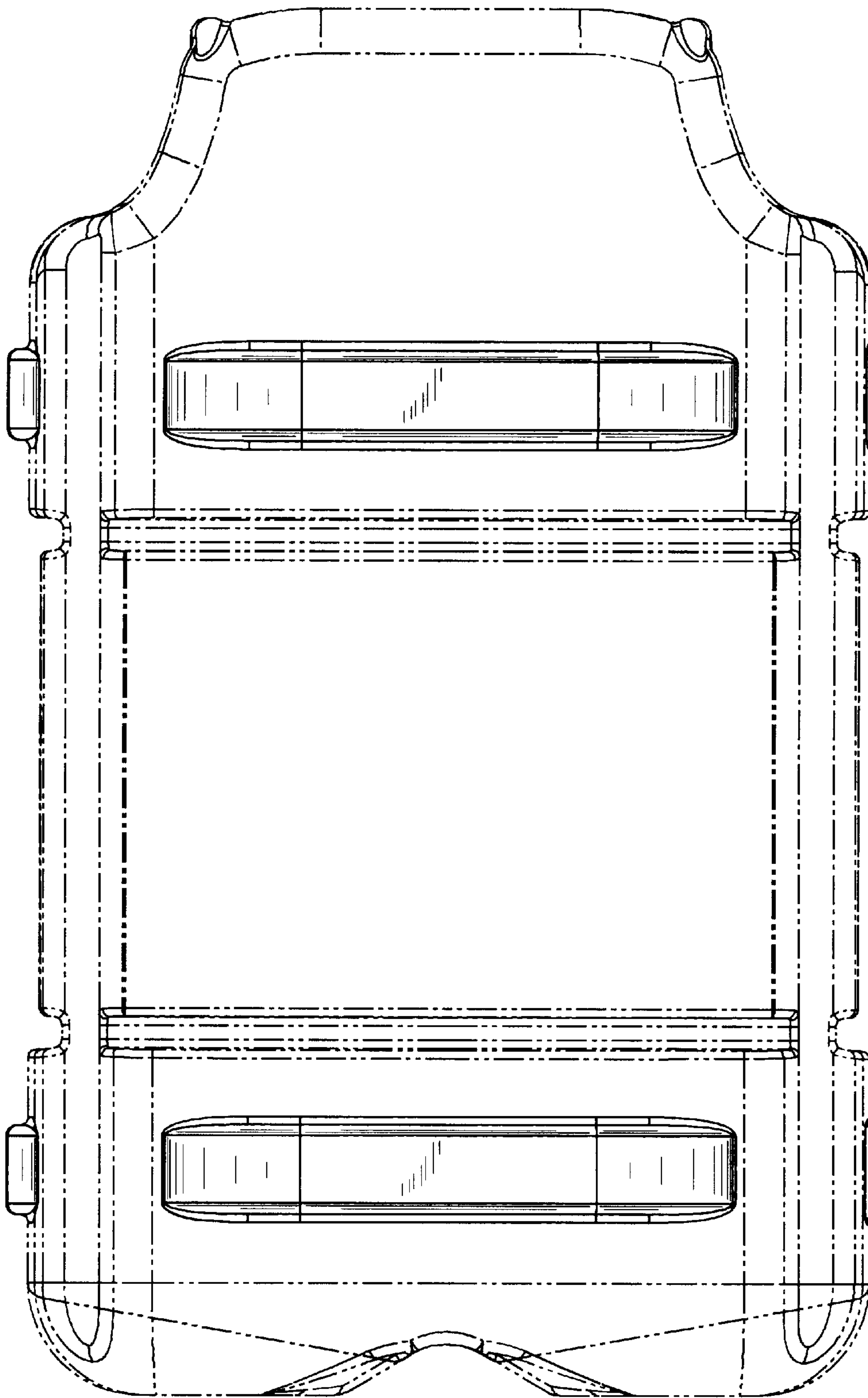


FIG. 14

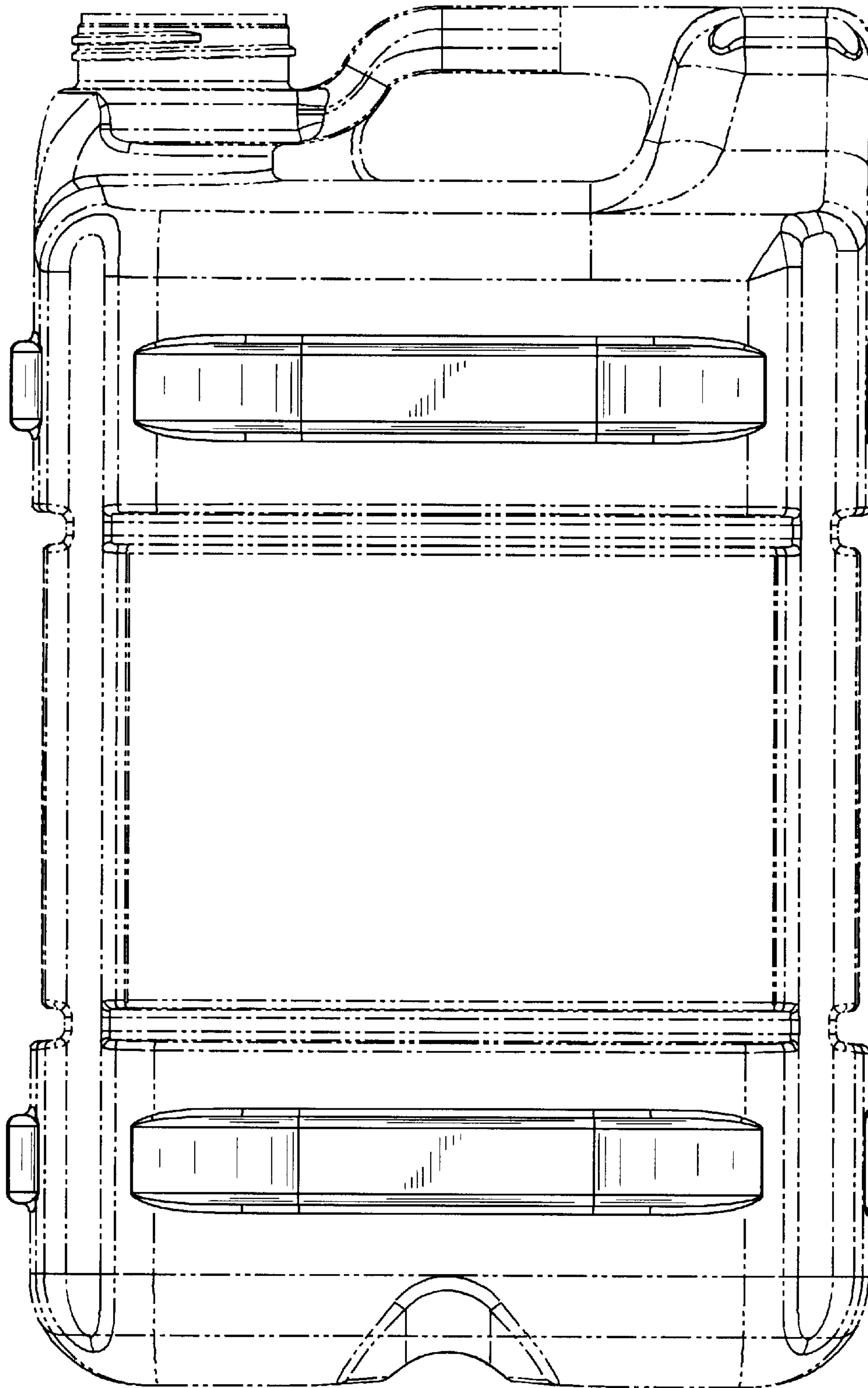


FIG. 15

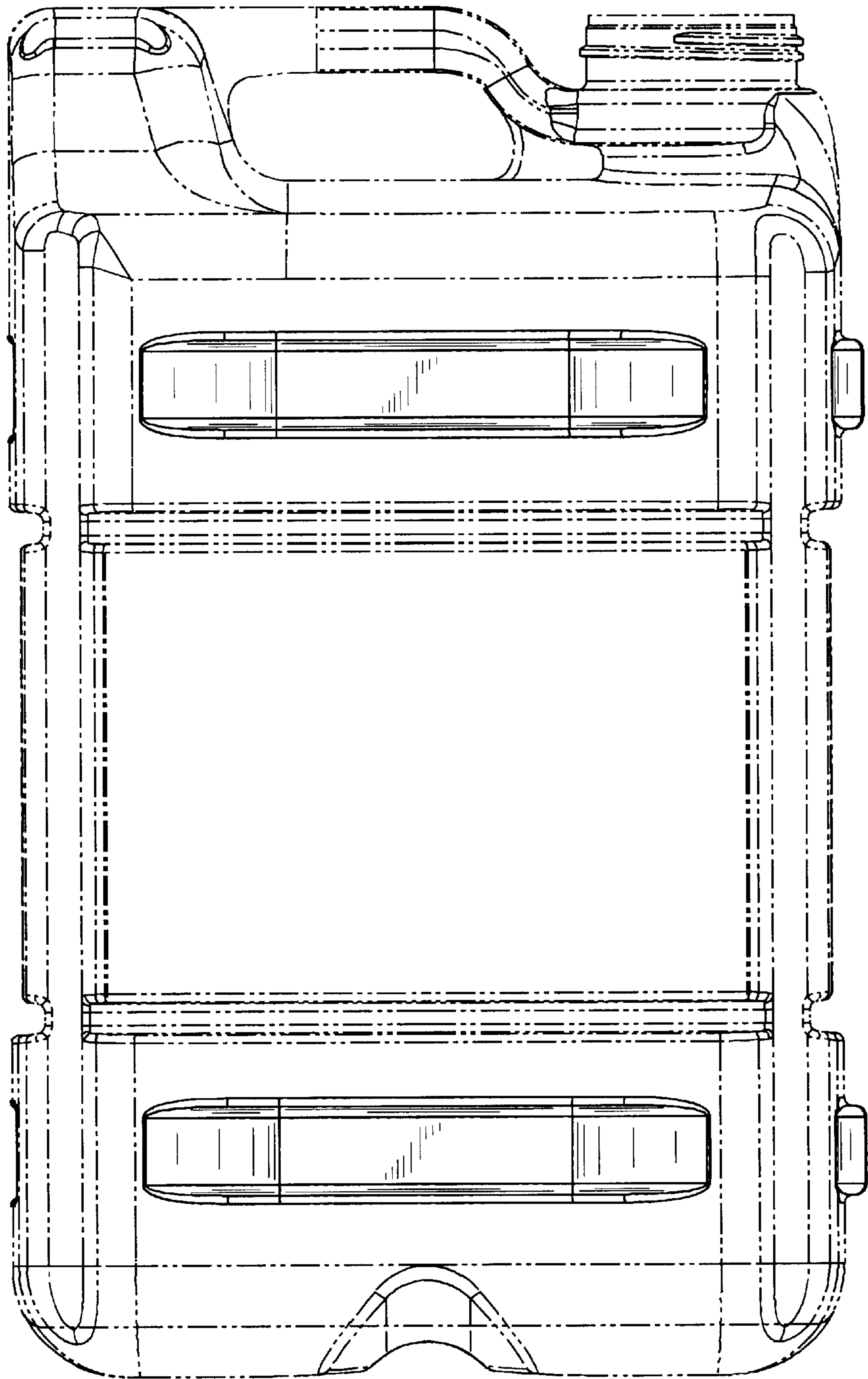


FIG. 16

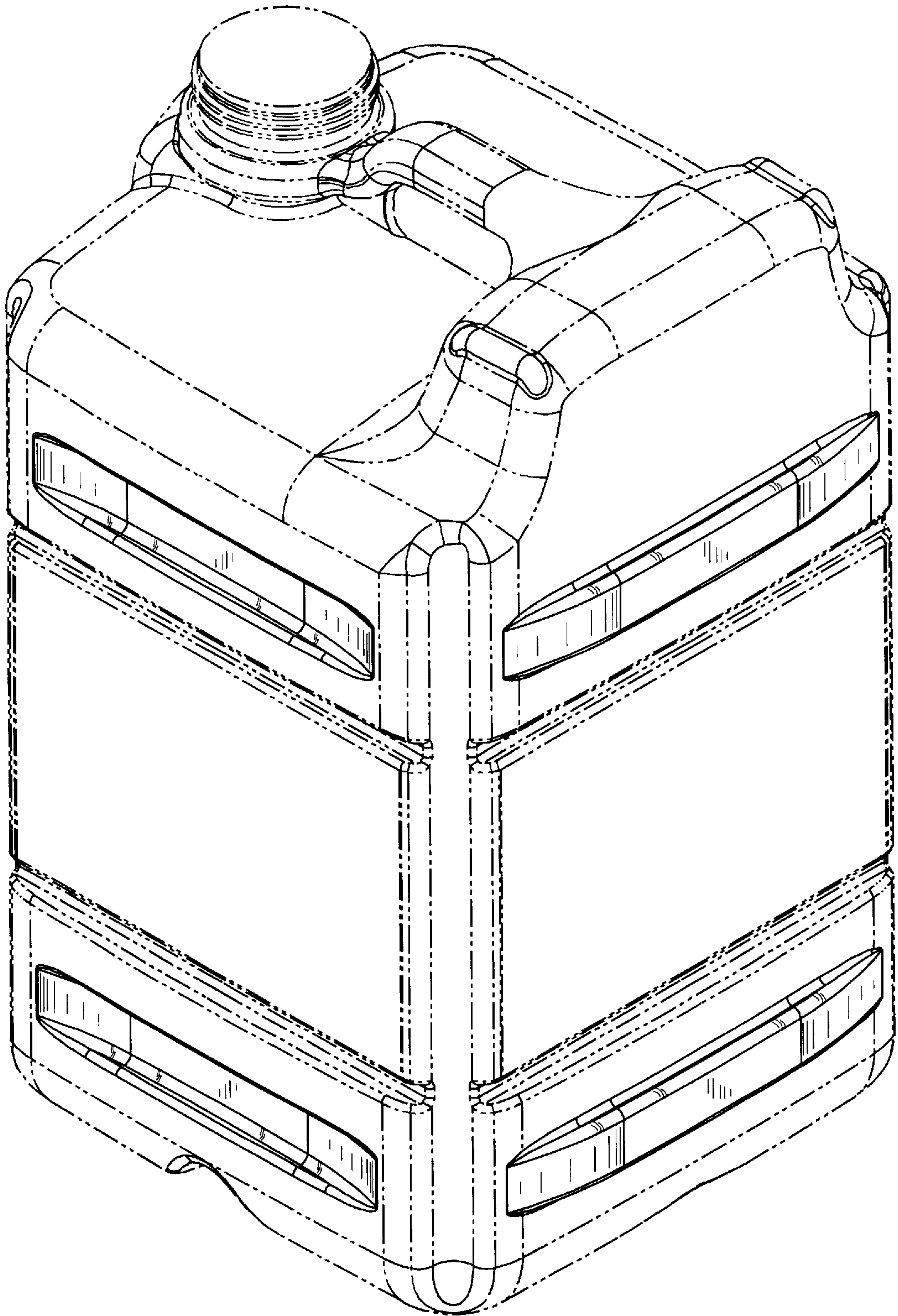


FIG. 17

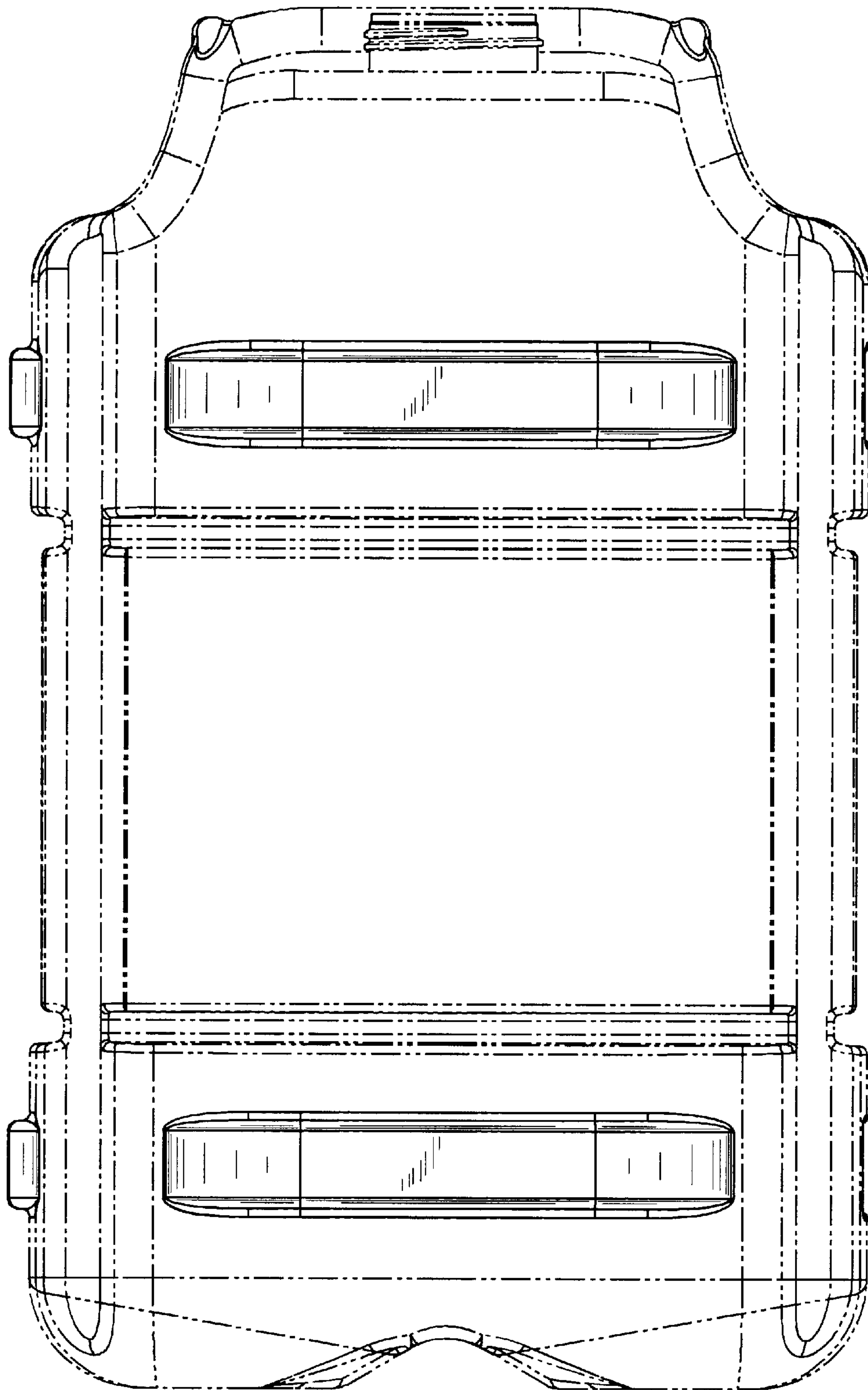


FIG. 18

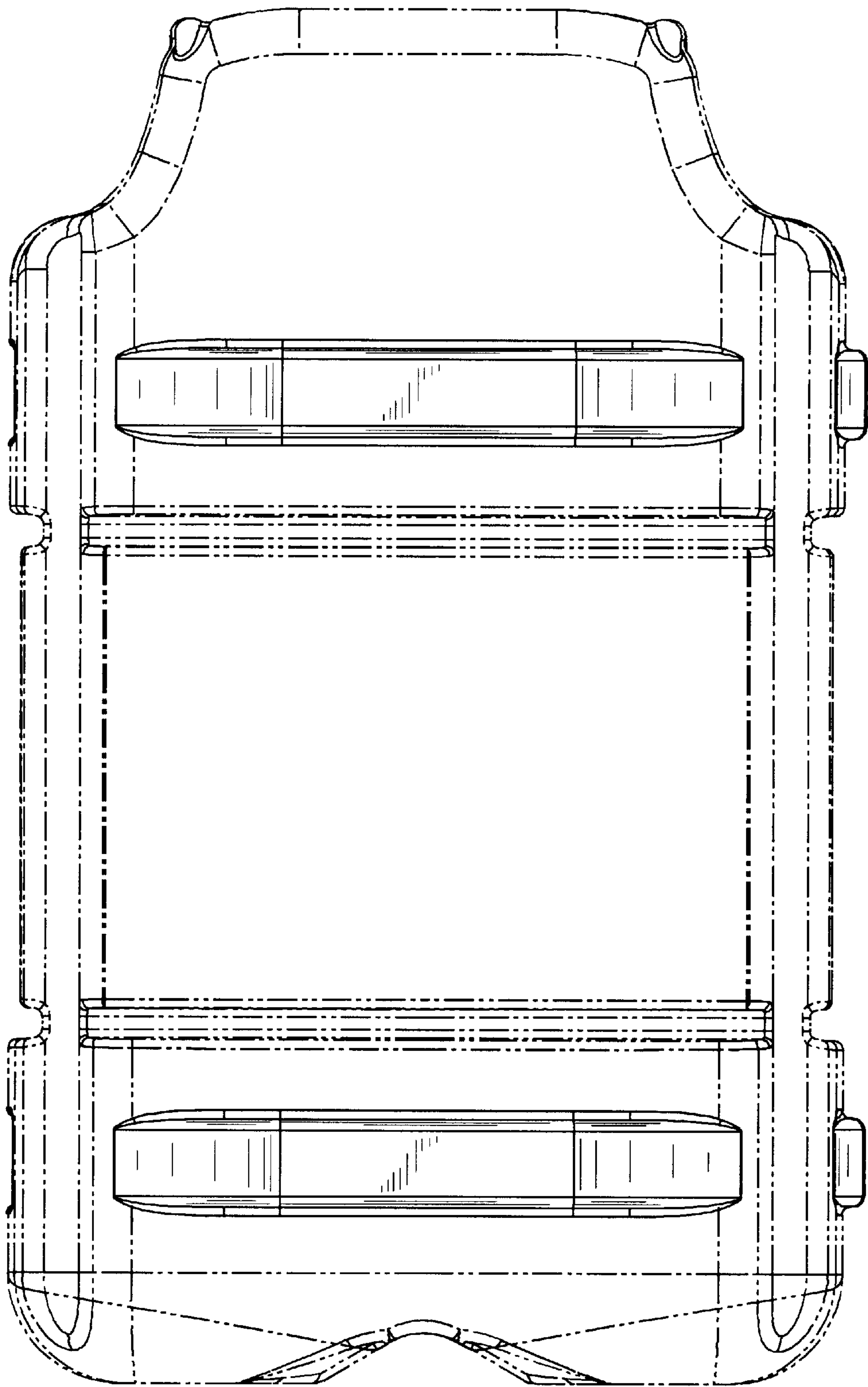


FIG. 19

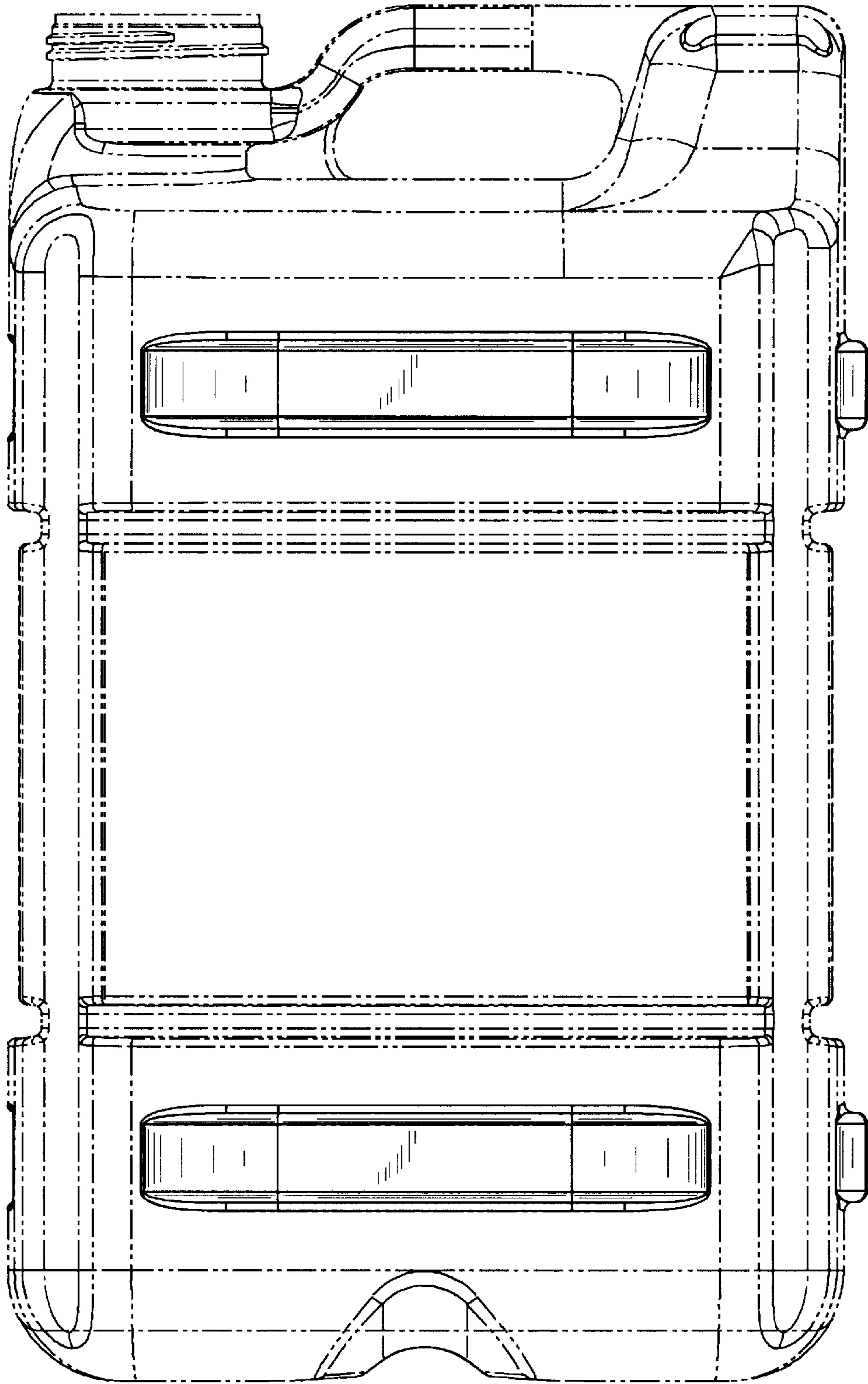


FIG. 20

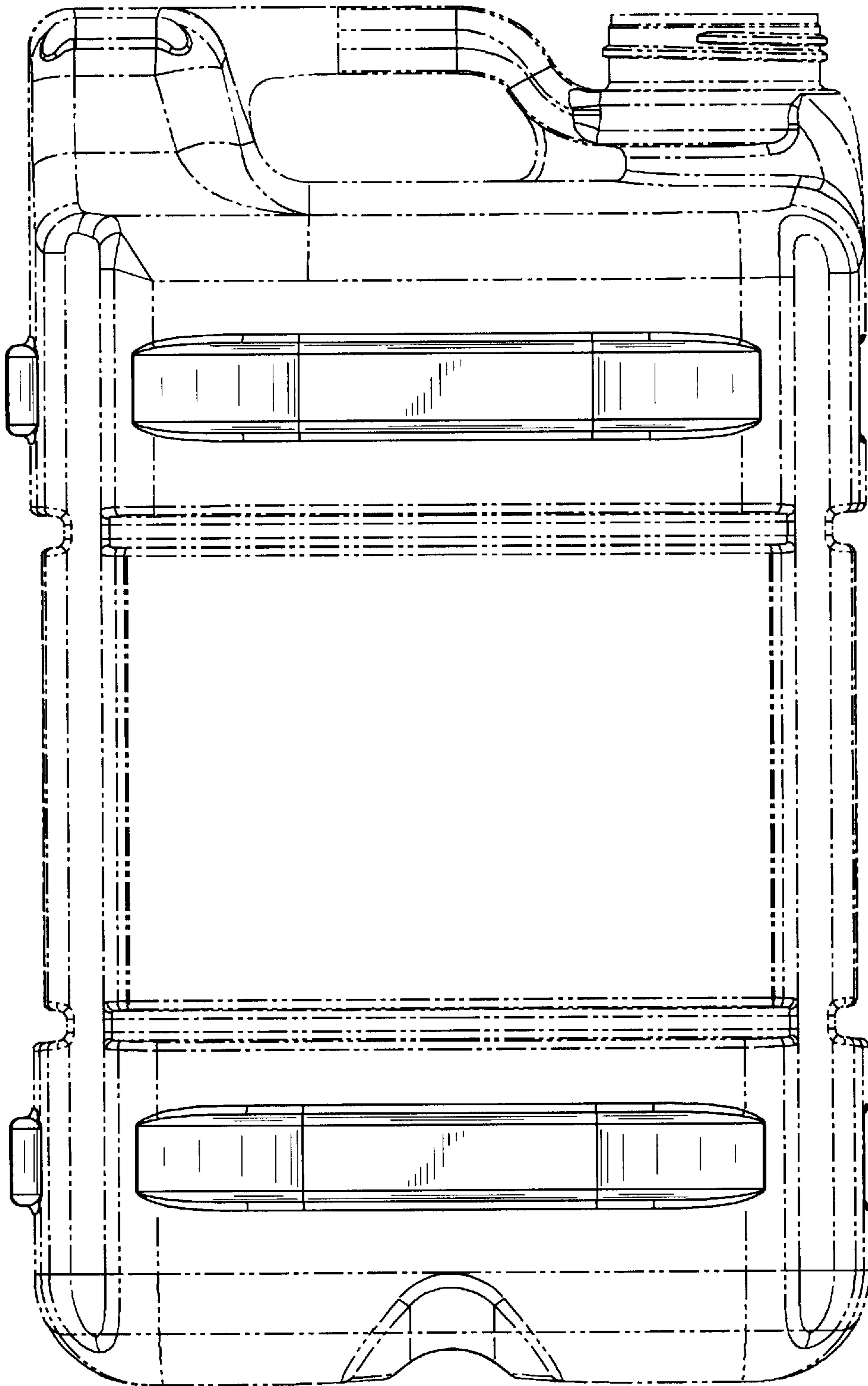


FIG. 21