



US00D479467S

(12) **United States Design Patent**
Buchman

(10) **Patent No.:** **US D479,467 S**

(45) **Date of Patent:** **** Sep. 9, 2003**

(54) **SLIDER DEVICE FOR RESEALABLE CLOSURE**

(75) **Inventor:** **James E. Buchman**, Hortonville, WI (US)

(73) **Assignee:** **Reynolds Consumer Products, Inc.**, Richmond, VA (US)

(**) **Term:** **14 Years**

(21) **Appl. No.:** **29/174,215**

(22) **Filed:** **Jan. 14, 2003**

(51) **LOC (7) Cl.** **09-07**

(52) **U.S. Cl.** **D9/434**

(58) **Field of Search** D11/200, 221;
D4/434, 435; 24/415-417, 419, 421, 427-431,
381; 264/252; 383/5, 64

(56) **References Cited**

U.S. PATENT DOCUMENTS

5,950,285	A	*	9/1999	Porchia et al.	24/400
D422,909	S		4/2000	Smith et al.	D9/434
D434,345	S		11/2000	Tomic	D11/221
D439,866	S		4/2001	Savicki	D11/221
D469,721	S	*	2/2003	Buchman	D11/221

* cited by examiner

Primary Examiner—Louis S. Zarfaz

Assistant Examiner—Gregory Andoll

(74) *Attorney, Agent, or Firm*—Joseph Kuborn; Tracey D. Beiriger

(57) **CLAIM**

The ornamental design of a slider device for resealable closure, as shown and described.

DESCRIPTION

FIG. 1 is a top perspective view of a slider device for a resealable closure in accordance with the present invention; FIG. 2 is a bottom perspective view of the slider device; FIG. 3 is a front side elevation view of the slider device shown in FIG. 1; FIG. 4 is a rear side elevation view of the slider device shown in FIG. 1; FIG. 5 is a left end elevational view of the slider device; FIG. 6 is a right end elevational view of the slider device; FIG. 7 is a top plan view of the slider device; and, FIG. 8 is a bottom plan view of the slider device.

The phantom lines and unshaded surfaces shown in FIG. 1-8 show the remaining portions of the slider device and are for illustrative purposes only and form no part of the claimed design.

1 Claim, 4 Drawing Sheets

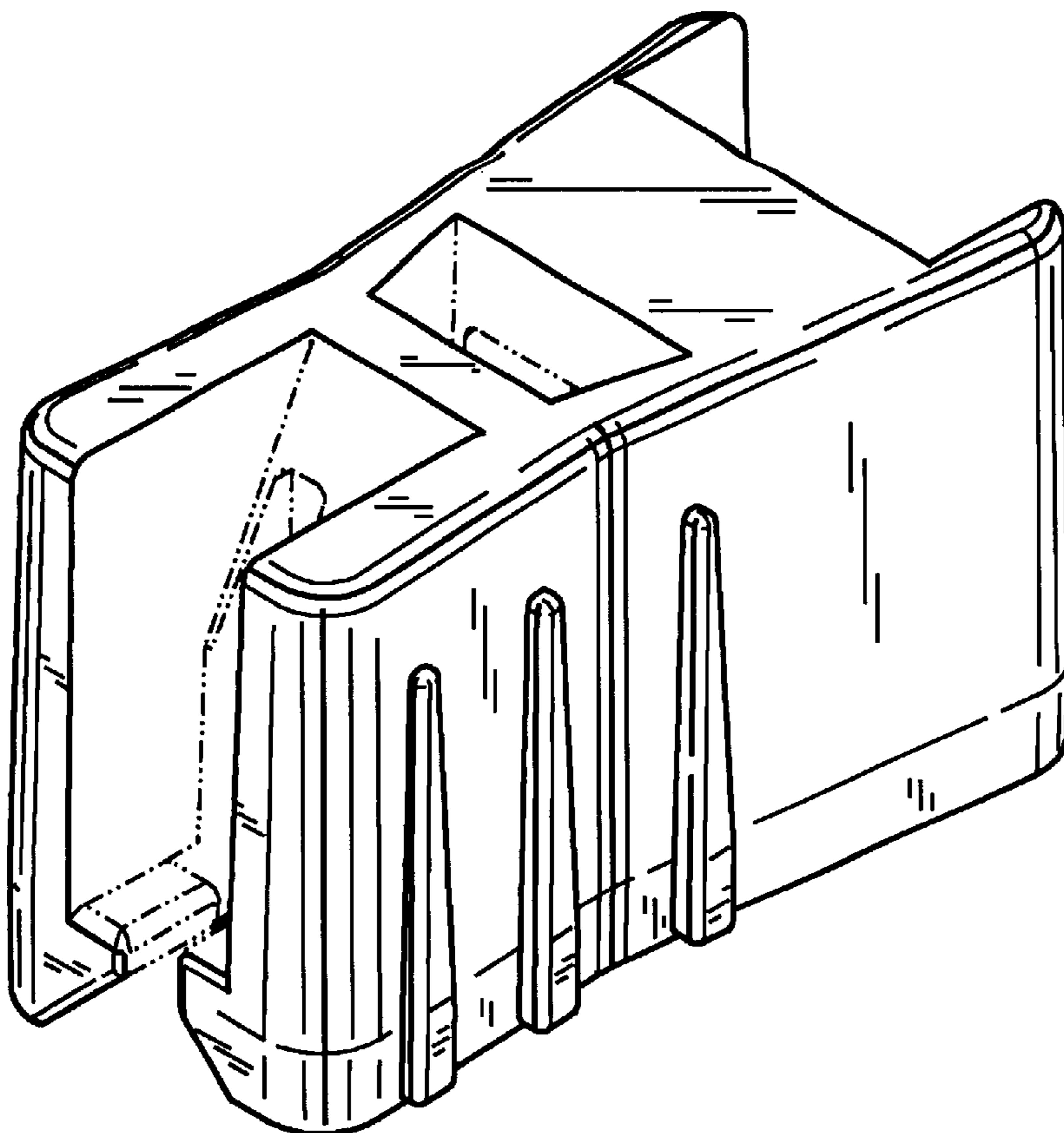


FIG. 1

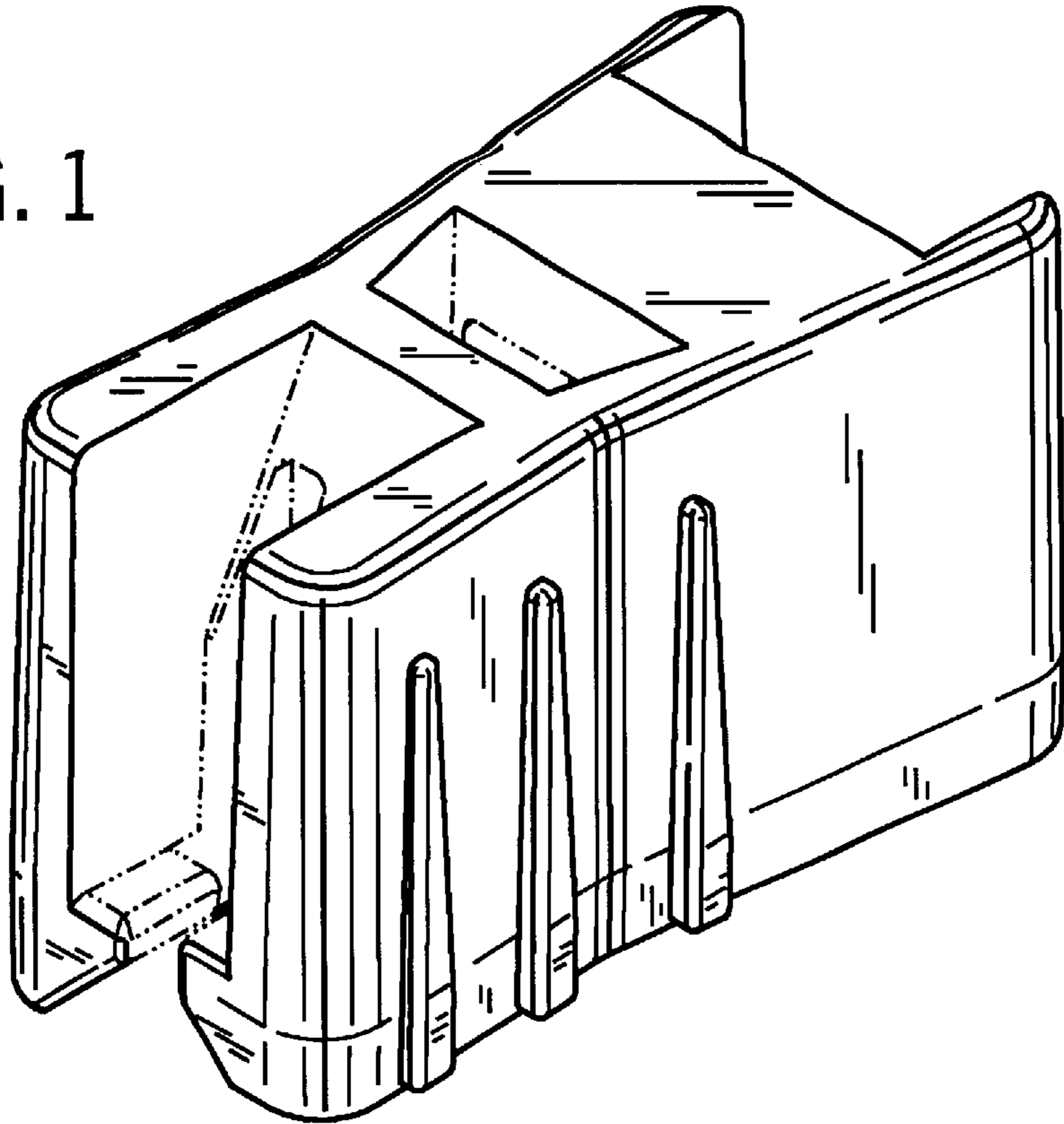


FIG. 2

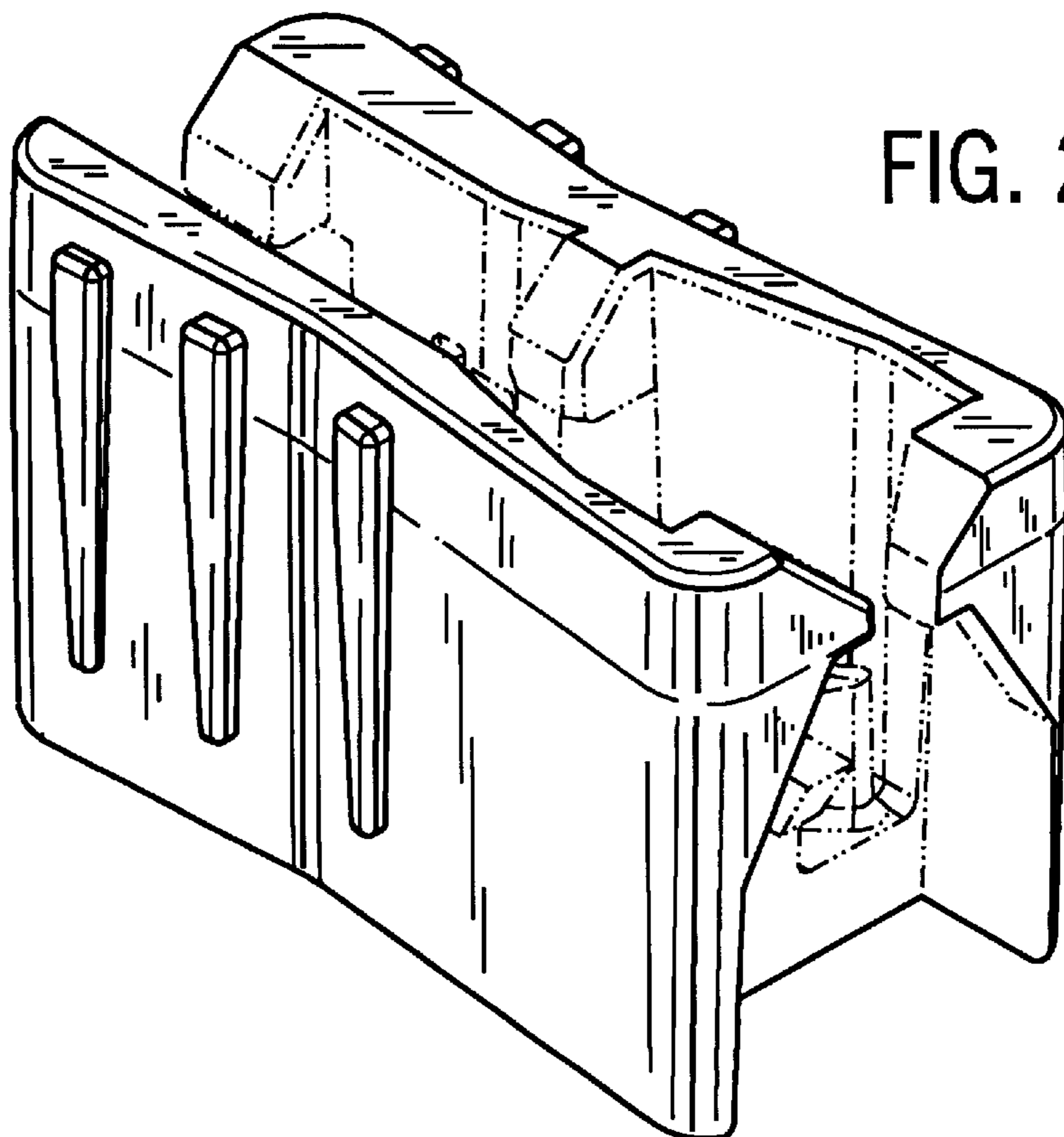


FIG. 3

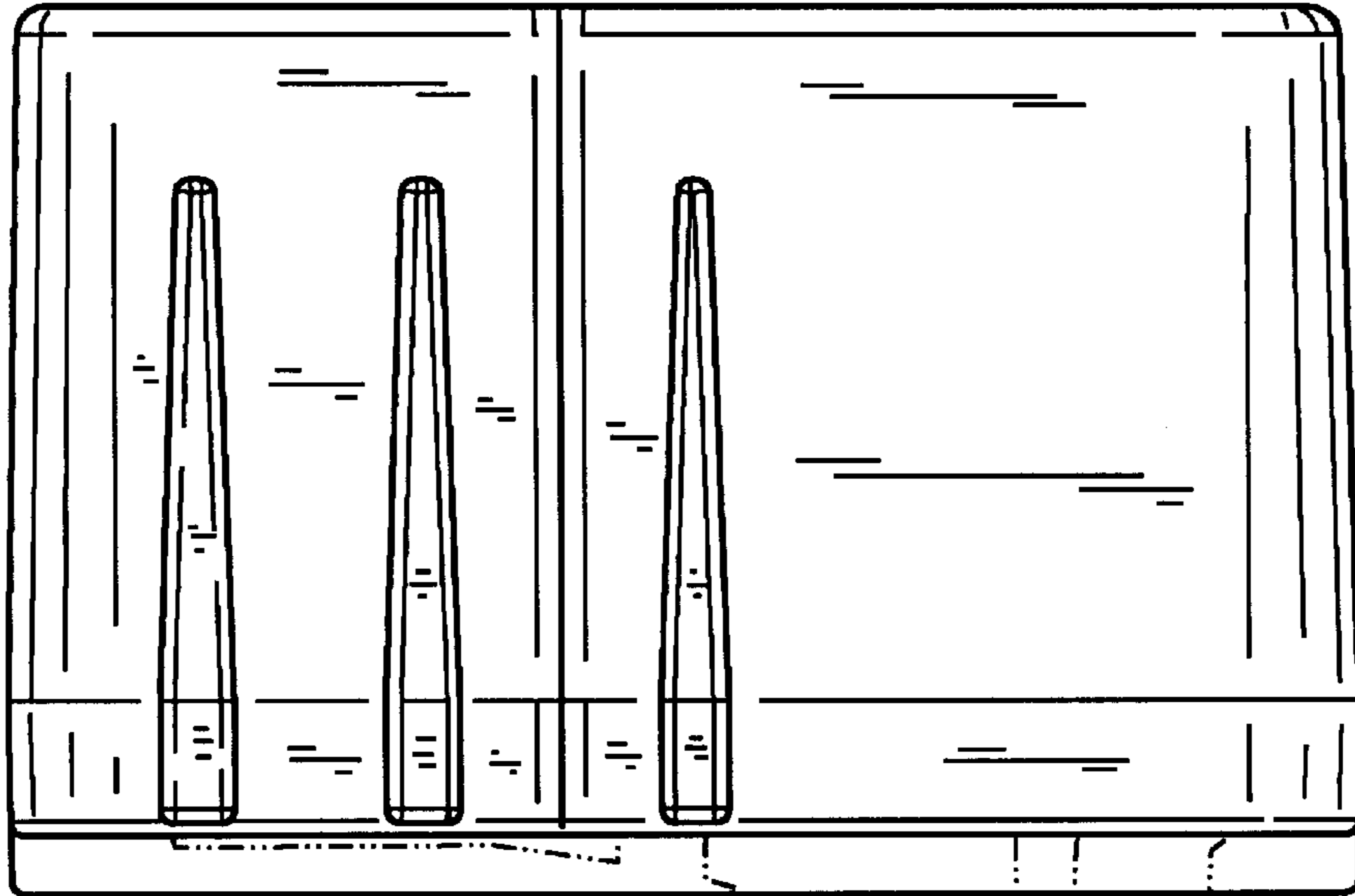


FIG. 4

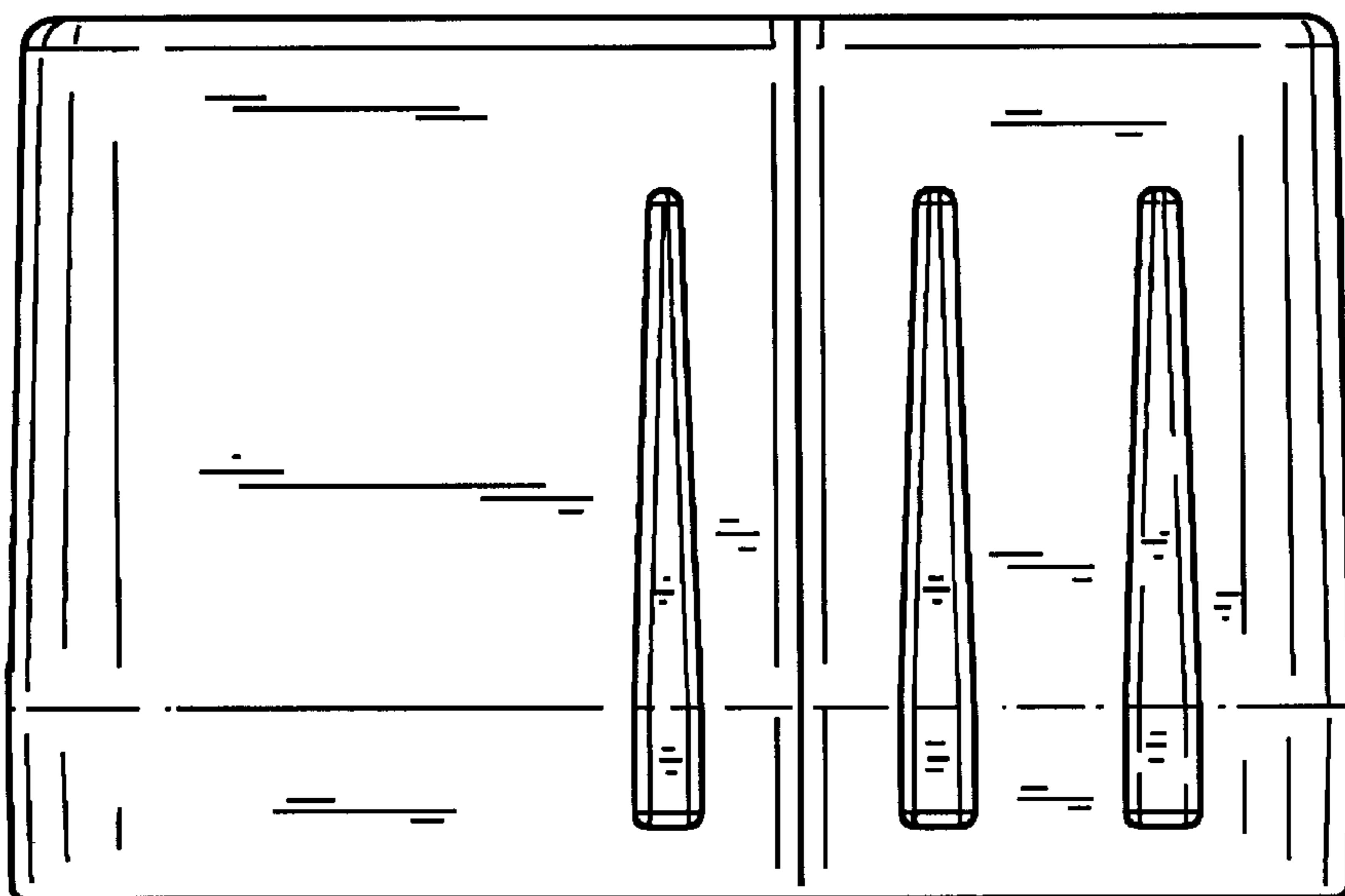


FIG. 5

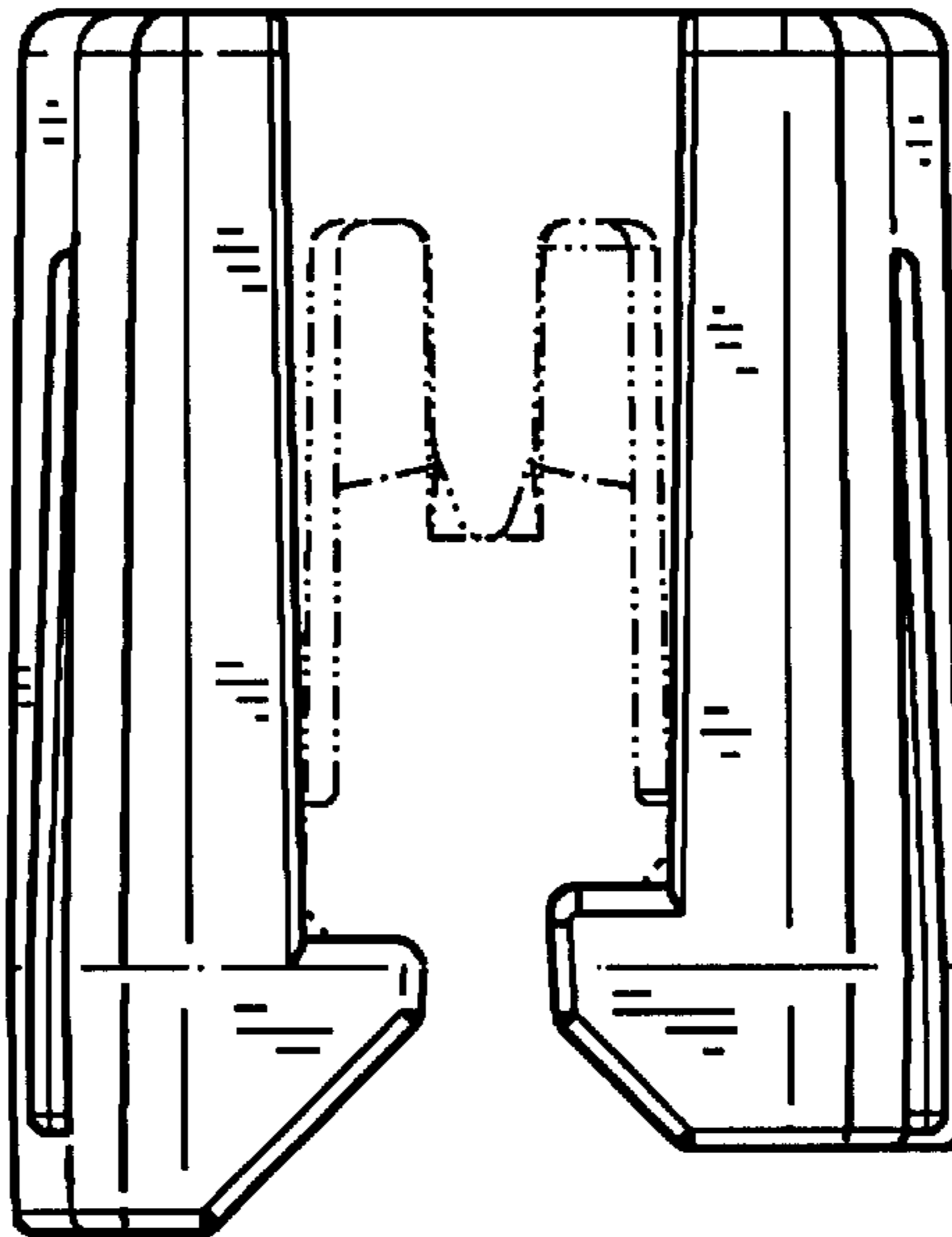


FIG. 6

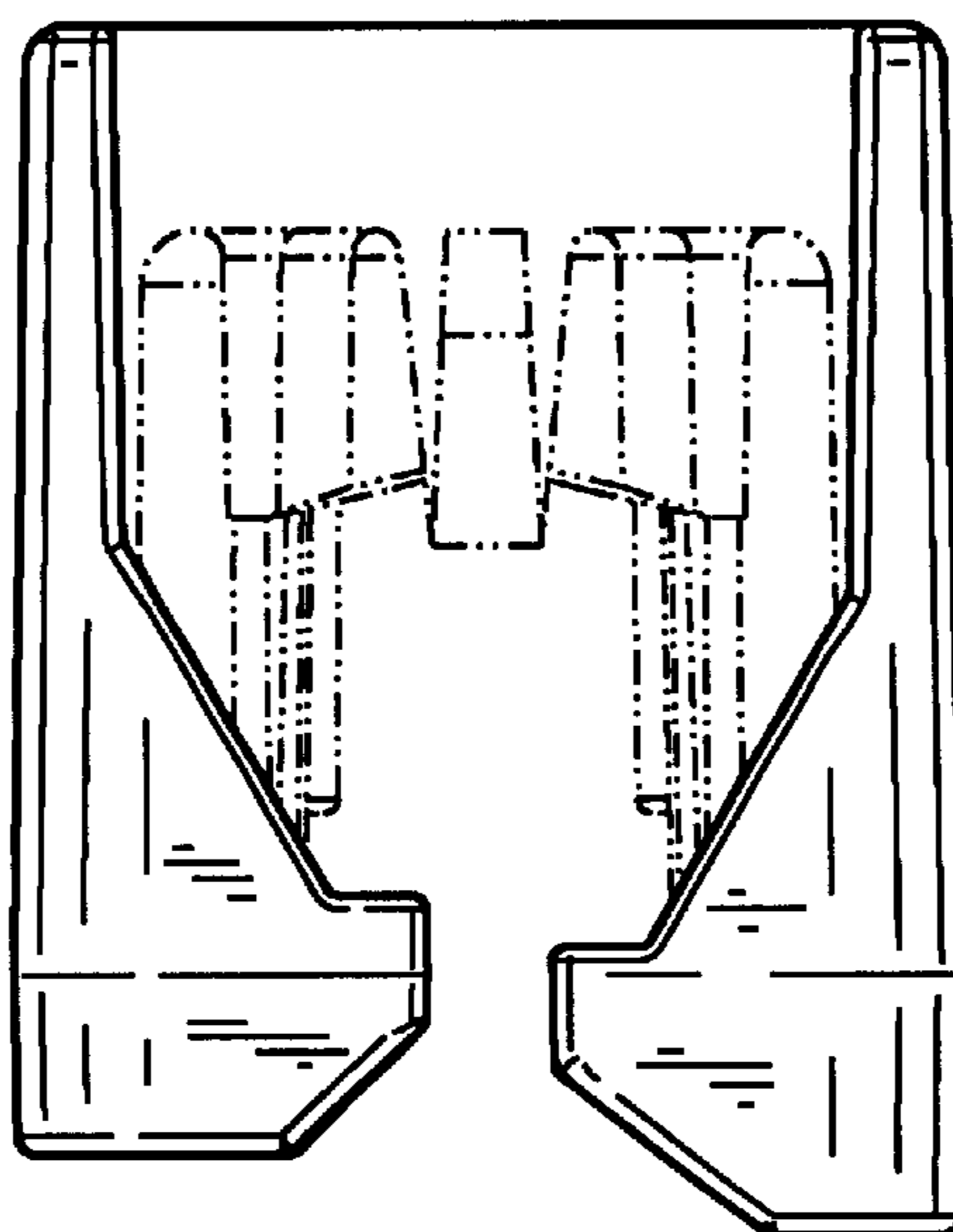


FIG. 7

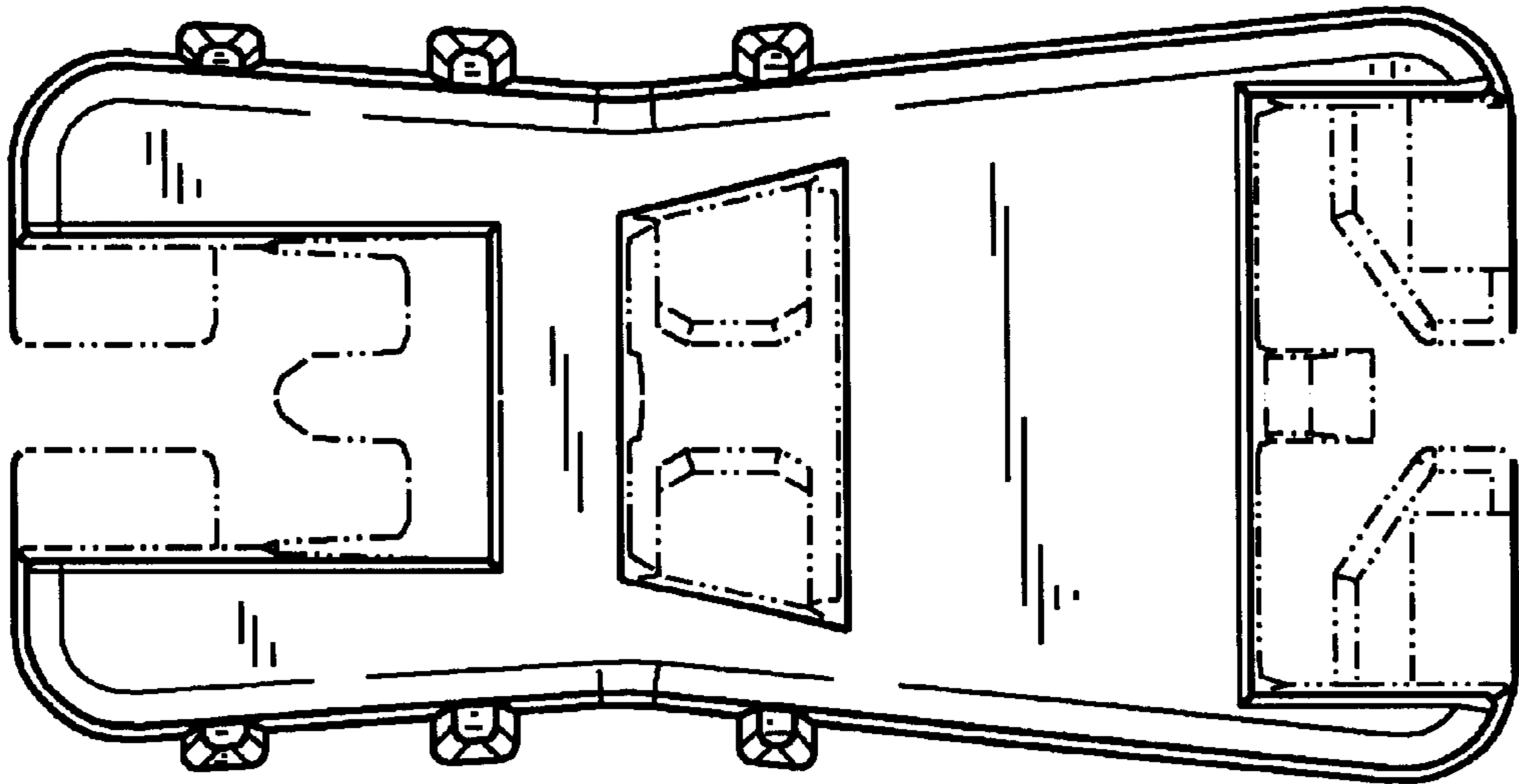


FIG. 8

