



US00D479466S

(12) **United States Design Patent**
Bremner et al.

(10) **Patent No.:** **US D479,466 S**

(45) **Date of Patent:** **** Sep. 9, 2003**

(54) **NOZZLE FOR DISPENSING VISCOUS MATERIAL**

(75) Inventors: **Brian M. Bremner**, Jersey City, NJ (US); **Helen H. Karask**, Jersey City, NJ (US); **Christine R. Tanner**, Jersey City, NJ (US)

(73) Assignee: **SmithKline Beecham Corporation**, Philadelphia, PA (US)

(**) Term: **14 Years**

(21) Appl. No.: **29/160,525**

(22) Filed: **May 13, 2002**

(51) **LOC (7) Cl.** **09-07**

(52) **U.S. Cl.** **D9/434; D9/442; D9/447**

(58) **Field of Search** D9/434, 435, 447, D9/442, 302; 222/519-521, 153

(56) **References Cited**

U.S. PATENT DOCUMENTS

D136,098 S	*	8/1943	Hartman et al.	D9/447
D179,333 S	*	11/1956	Tupper	D9/447
3,093,274 A	*	6/1963	Galbierz	222/519
D274,696 S	*	7/1984	Marsden	D9/447
4,598,839 A	*	7/1986	Dombroski et al.	222/153
D399,423 S	*	10/1998	Palestrant	D9/447

* cited by examiner

Primary Examiner—Stella Reid
Assistant Examiner—Gregory Andoll

(74) *Attorney, Agent, or Firm*—Nora Stein-Fernandez

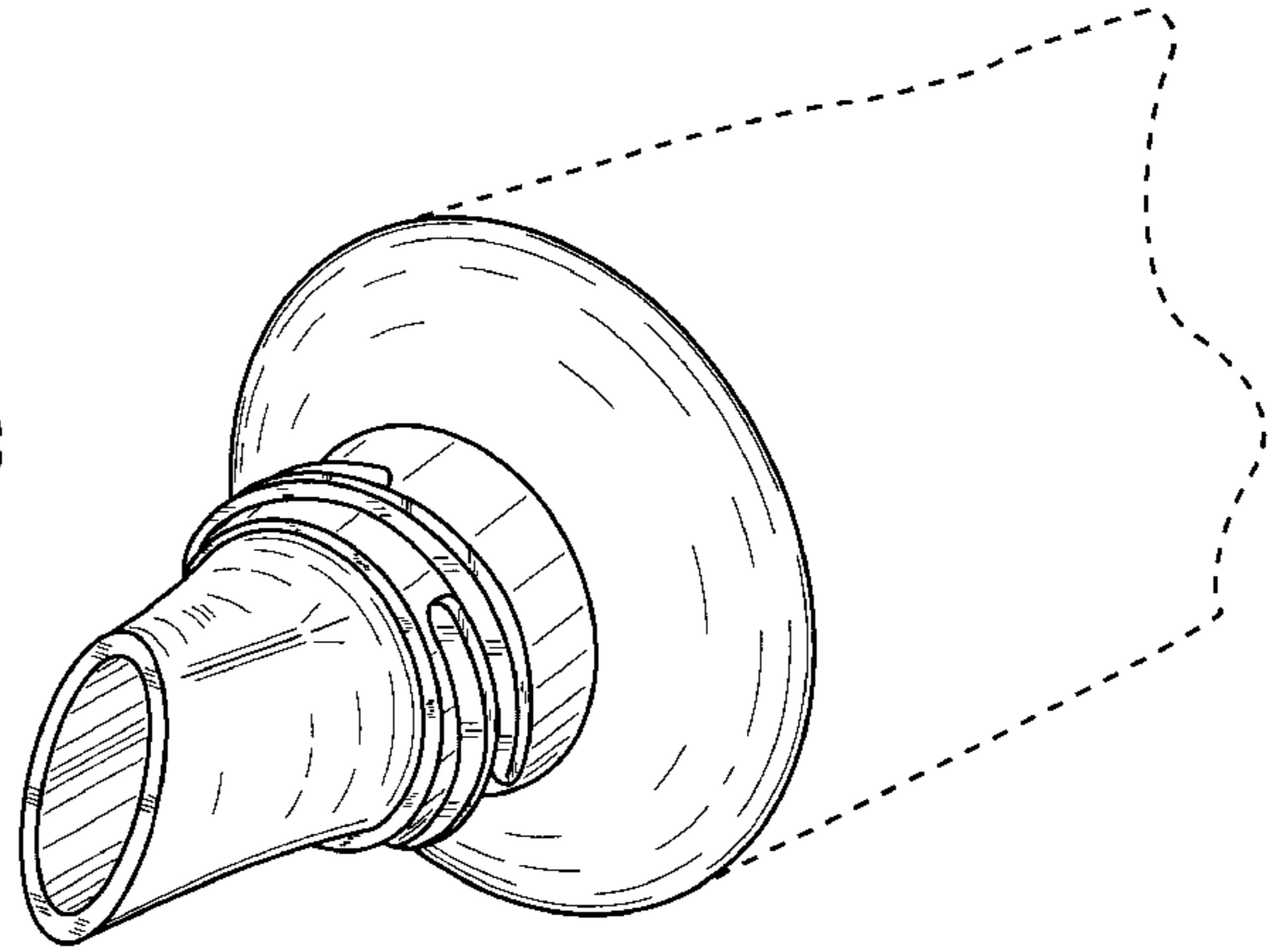
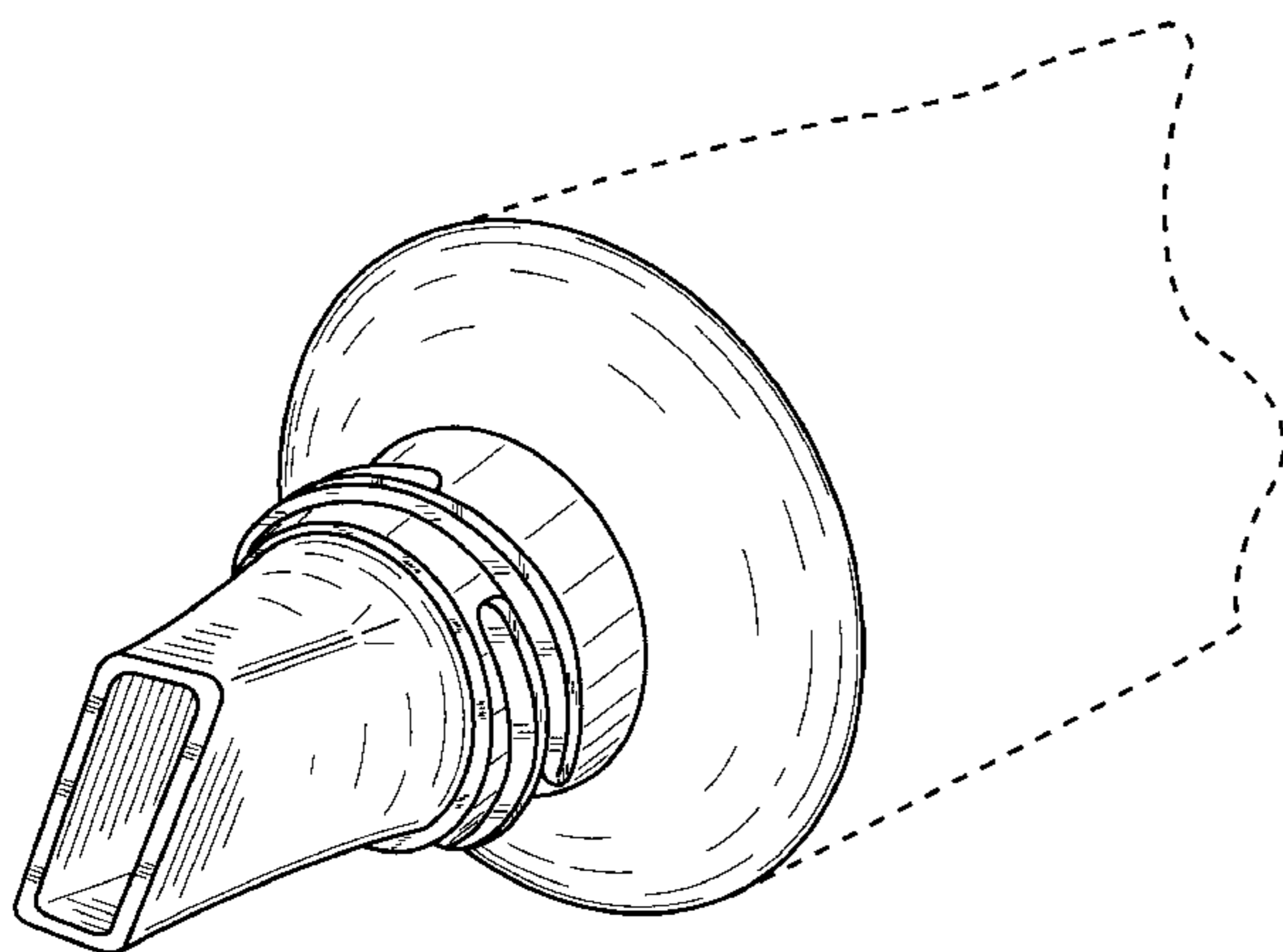
(57) **CLAIM**

The ornamental design for a nozzle for dispensing viscous material, as shown and described.

DESCRIPTION

FIG. 1 is a perspective view of one embodiment of the nozzle for dispensing viscous material;
 FIG. 2 is a top plan view of one embodiment of the nozzle;
 FIG. 3 is a bottom plan view of one embodiment of the nozzle;
 FIG. 4 is a front plan view of one embodiment of the nozzle;
 FIG. 5 is a back plan view of one embodiment of the nozzle;
 FIG. 6 is a left-side view of one embodiment of the nozzle;
 FIG. 7 is a right-side view of one embodiment of the nozzle;
 FIG. 8 is a perspective view of another embodiment of the nozzle;
 FIG. 9 is a top plan view of another embodiment of the nozzle;
 FIG. 10 is a bottom plan view of another embodiment of the nozzle;
 FIG. 11 is a front plan view of another embodiment of the nozzle;
 FIG. 12 is a back plan view of another embodiment of the nozzle;
 FIG. 13 is a left-side view of another embodiment of the nozzle; and,
 FIG. 14 is a right-side view of another embodiment of the nozzle.

1 Claim, 8 Drawing Sheets



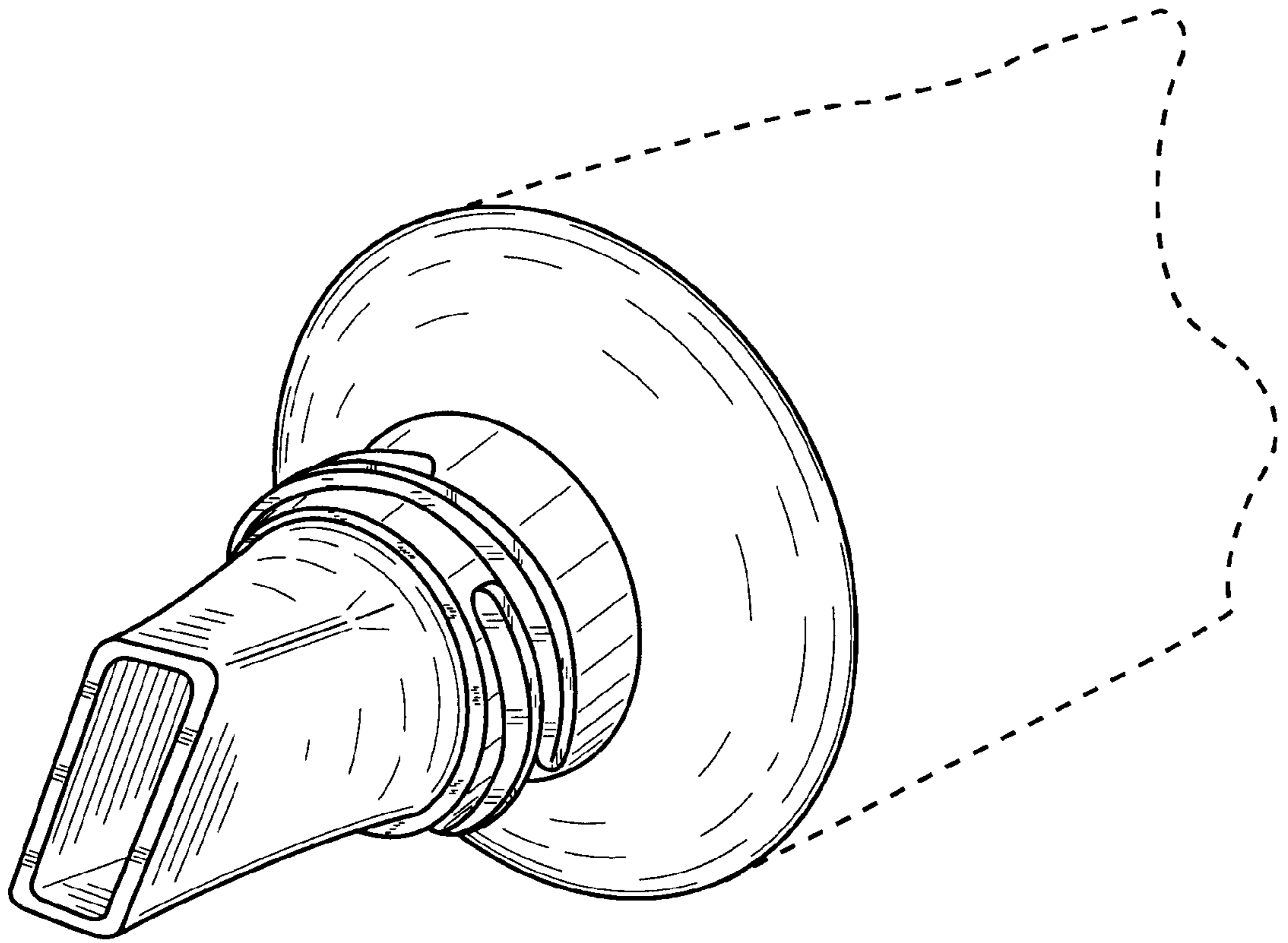


FIG. 1

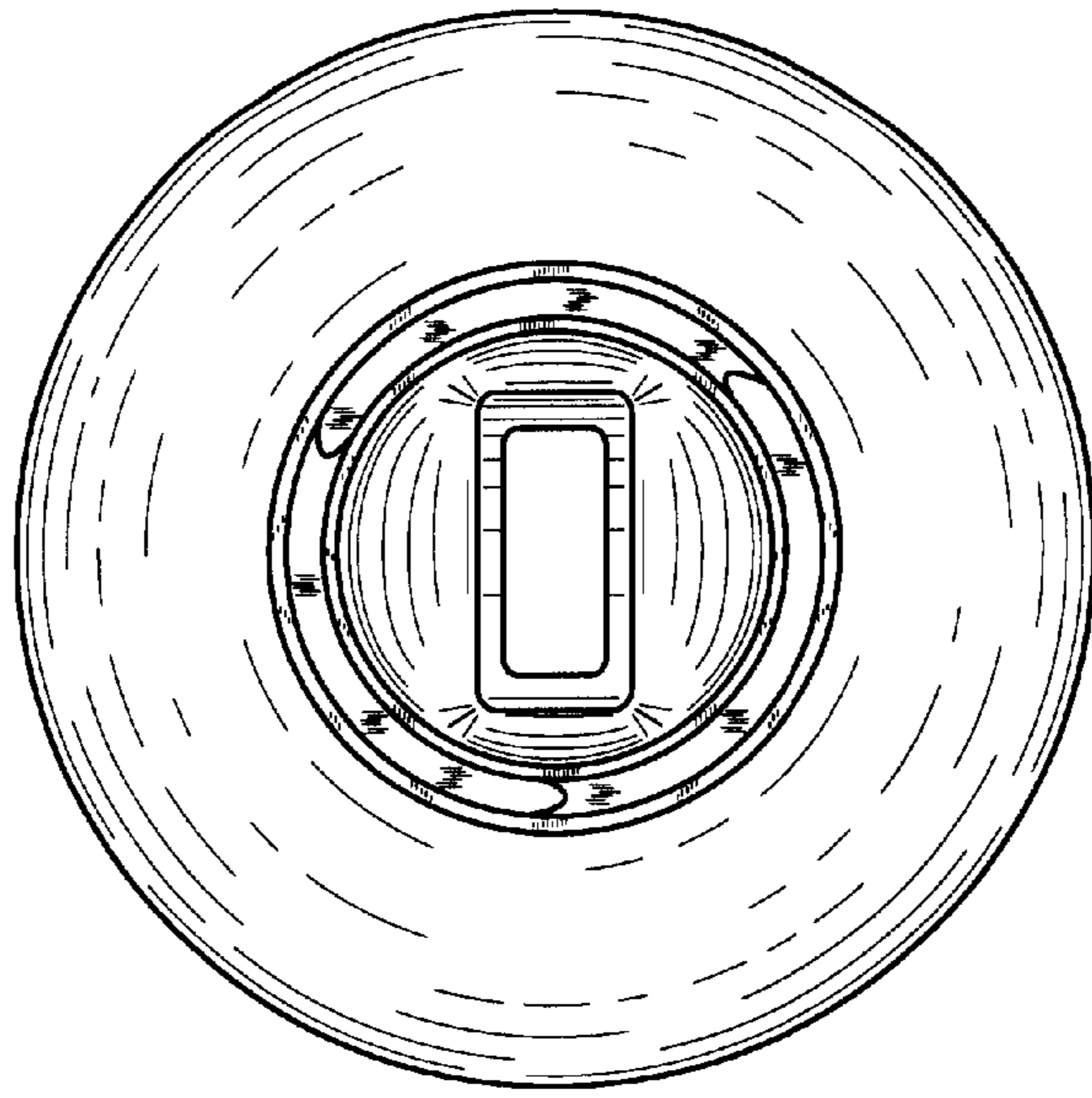


FIG. 2

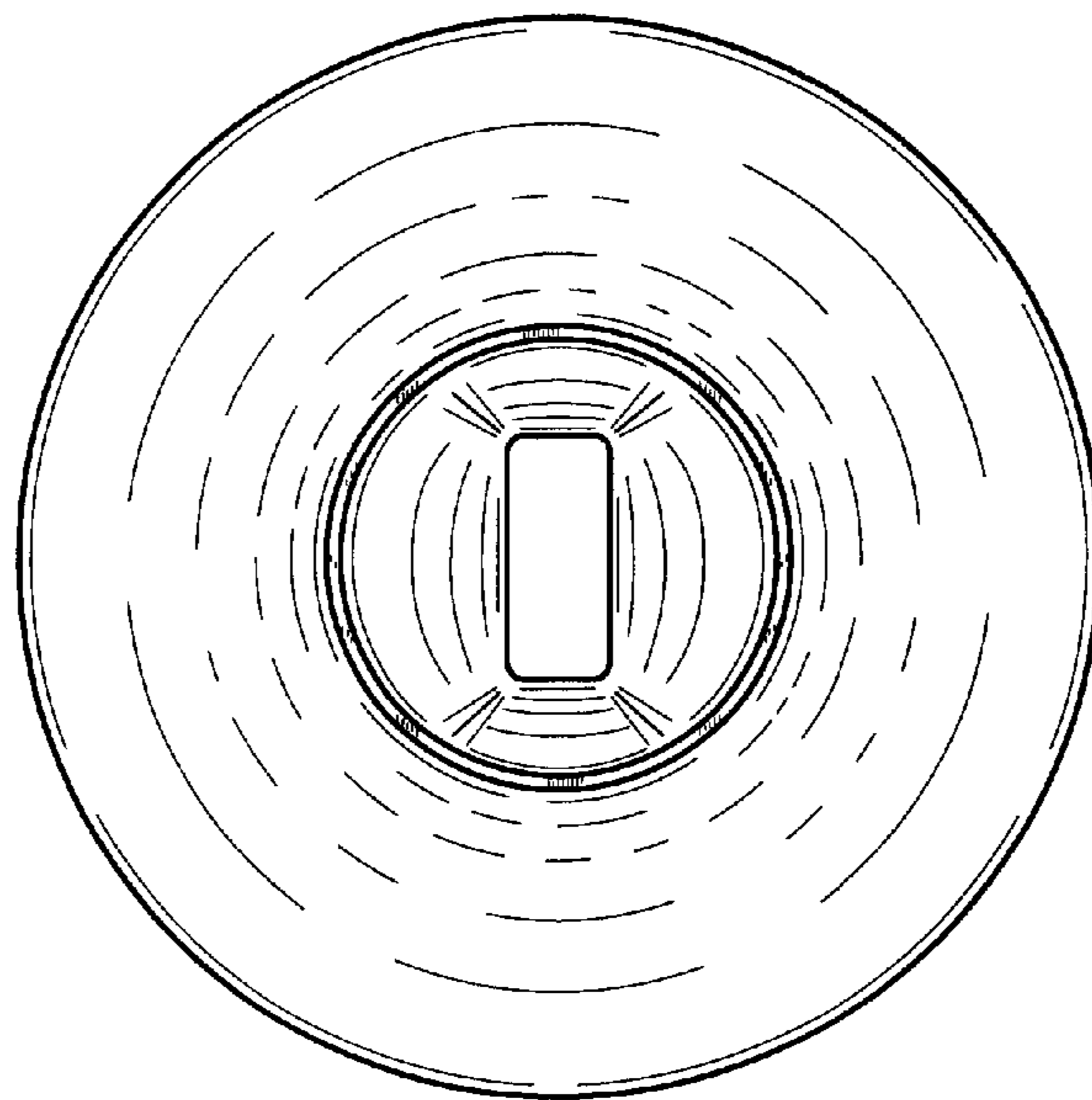


FIG. 3

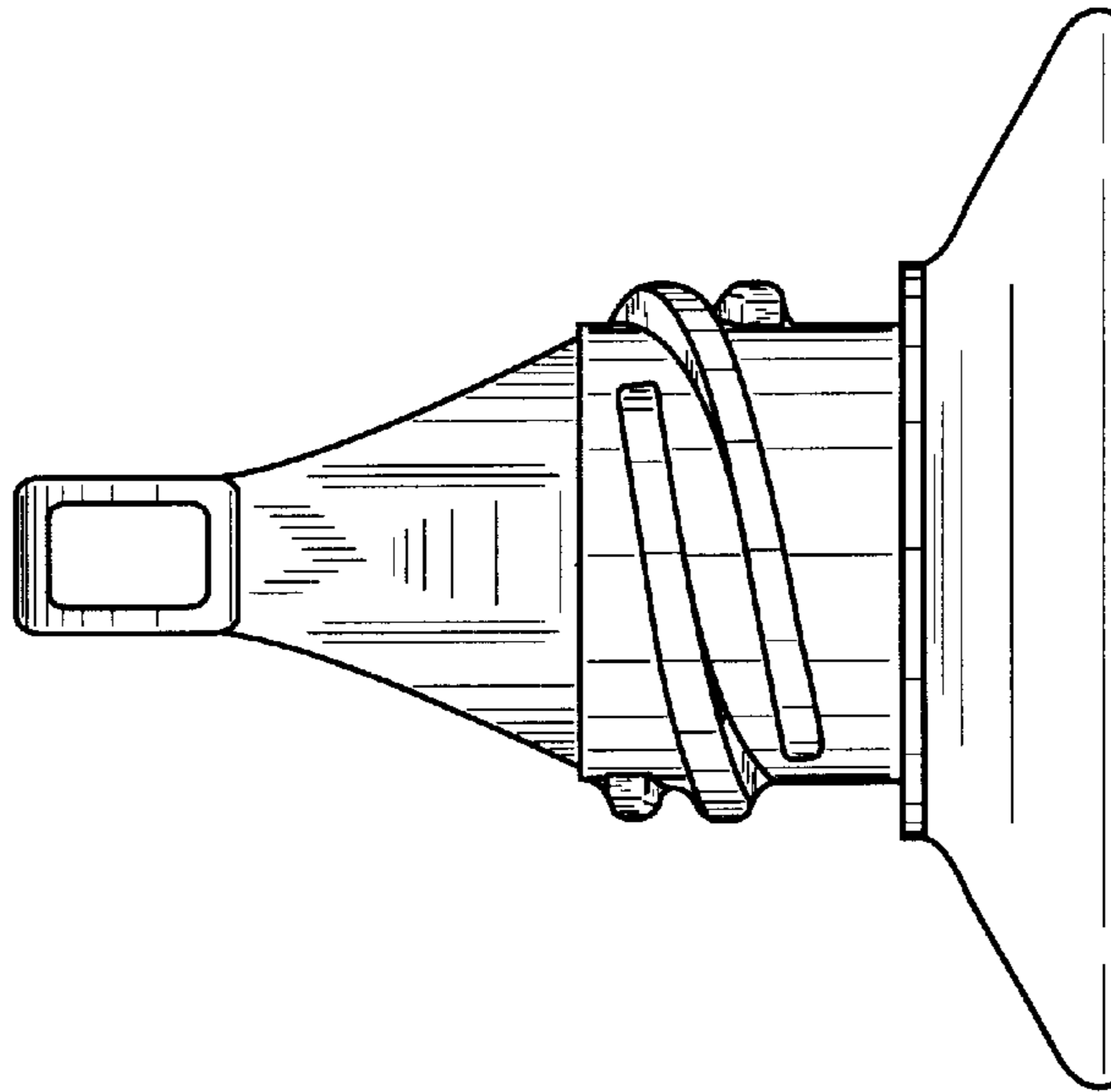


FIG. 4

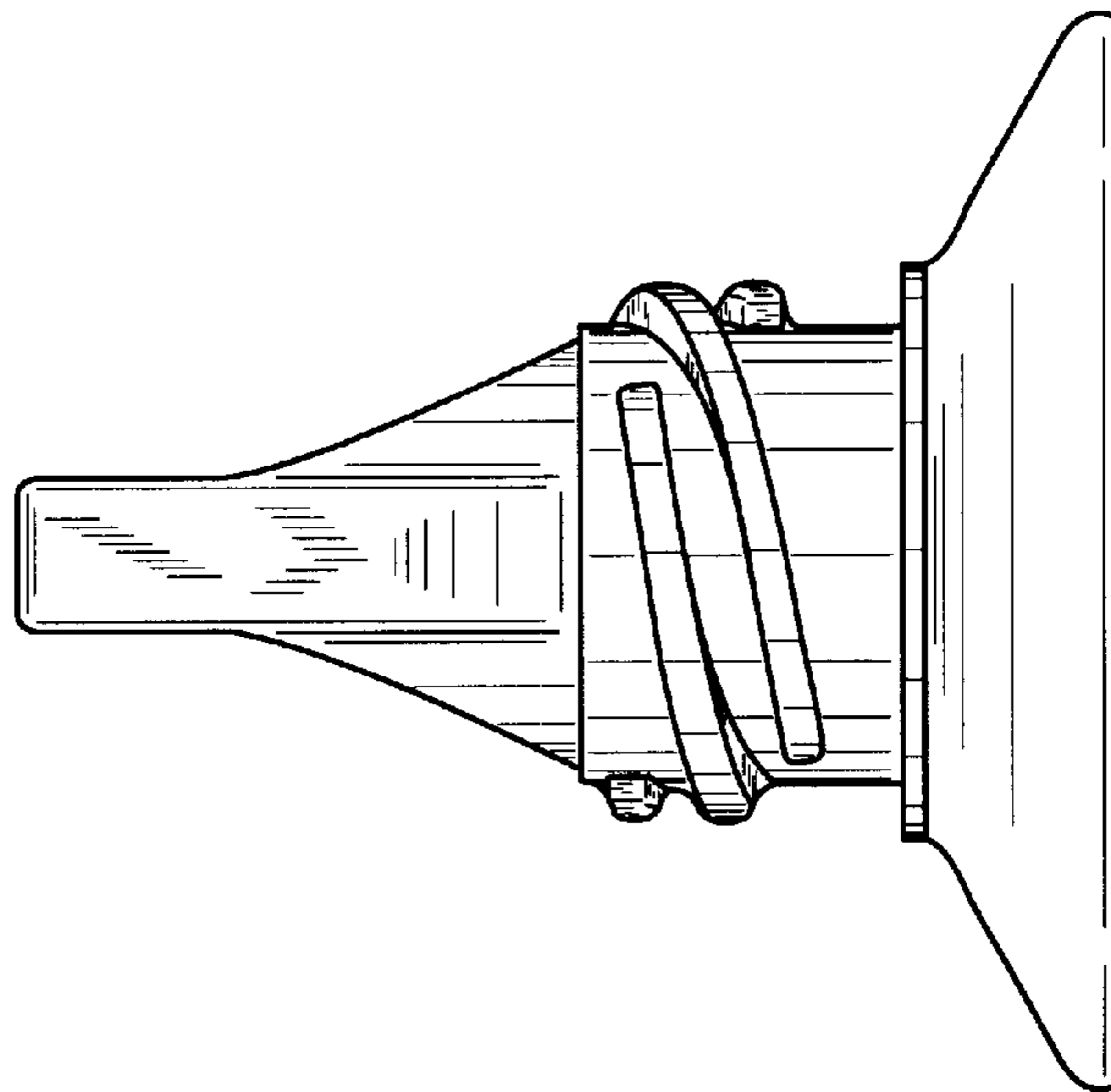


FIG. 5

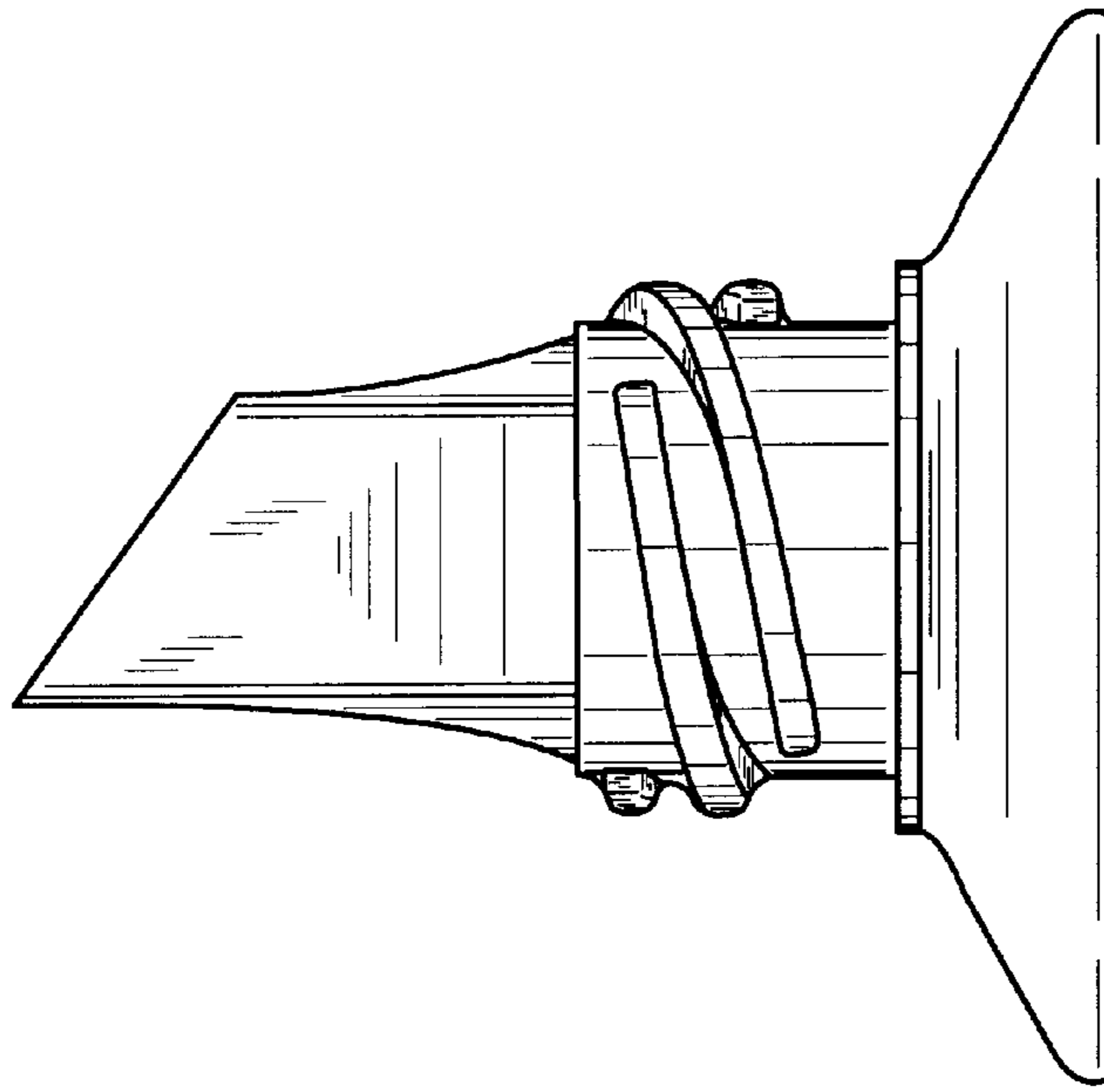


FIG. 6

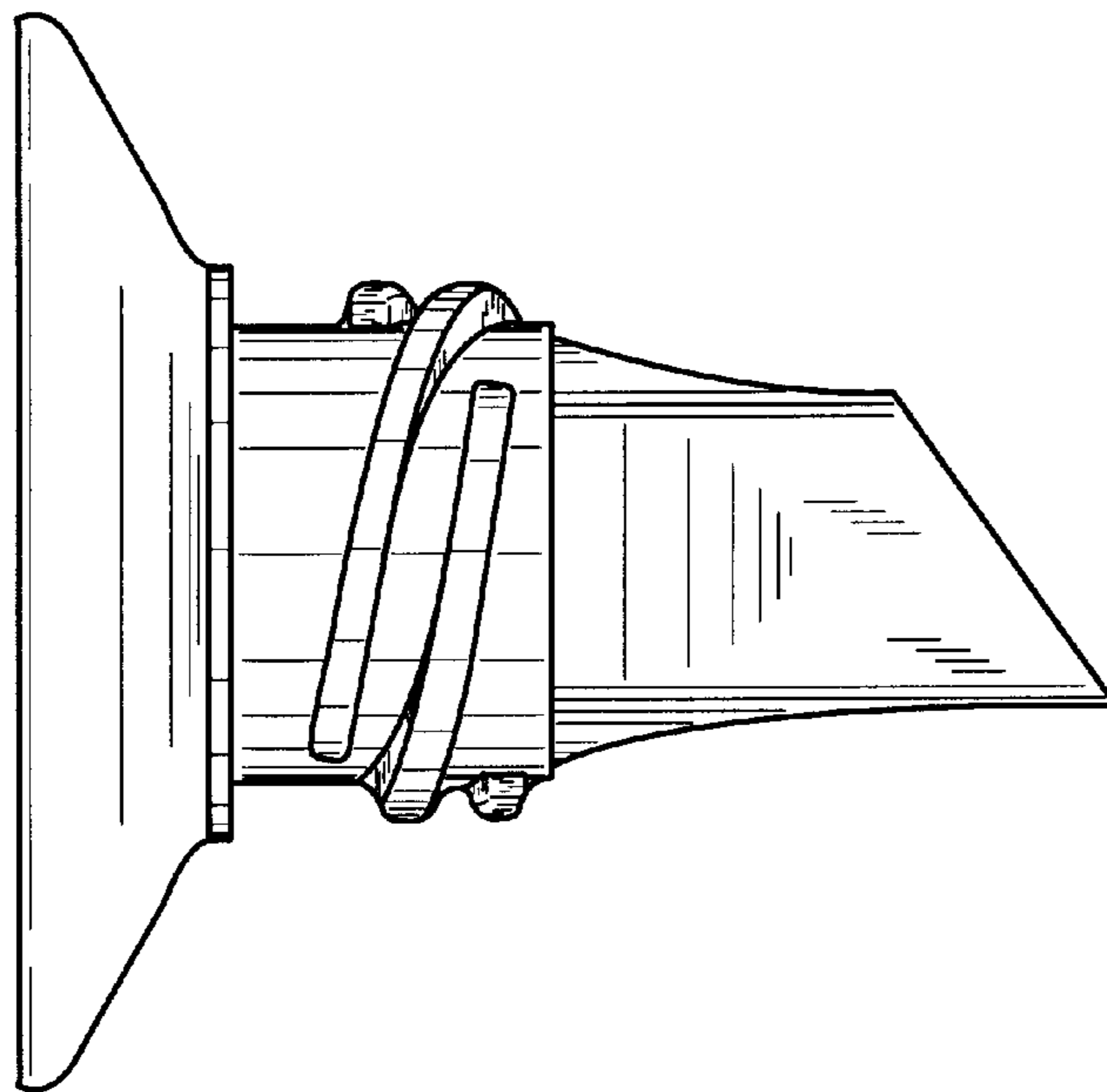


FIG. 7

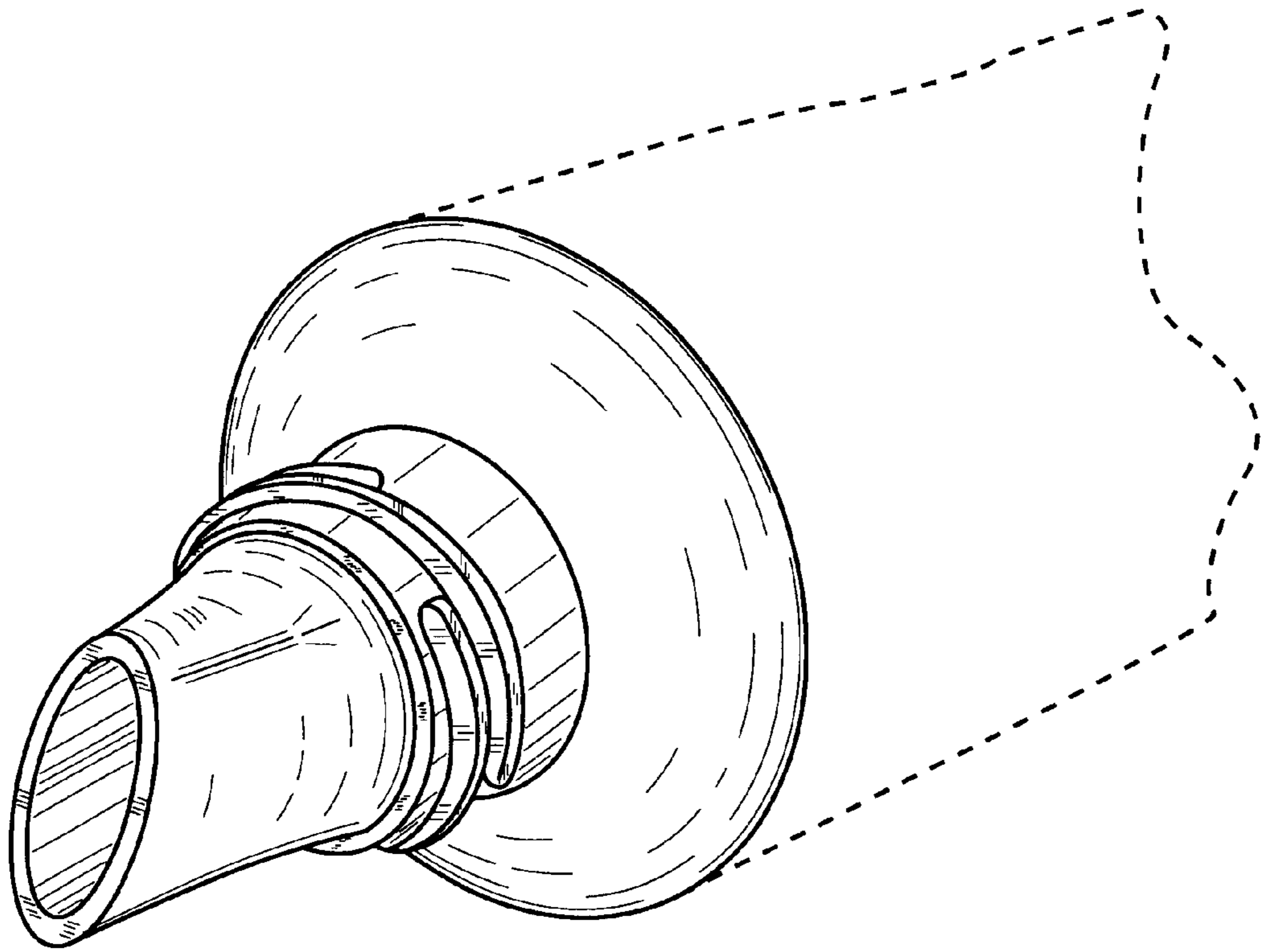


FIG. 8

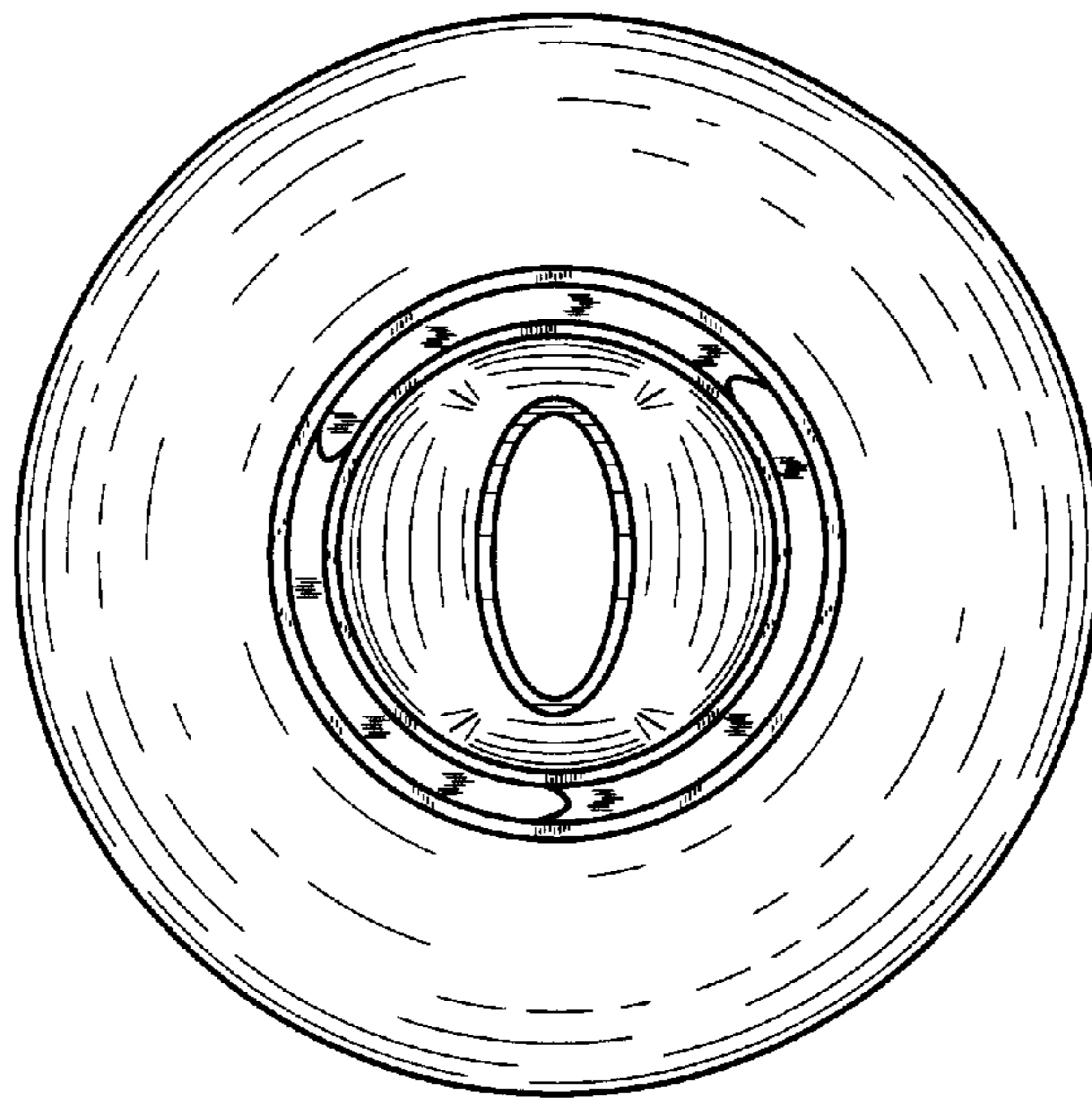


FIG. 9

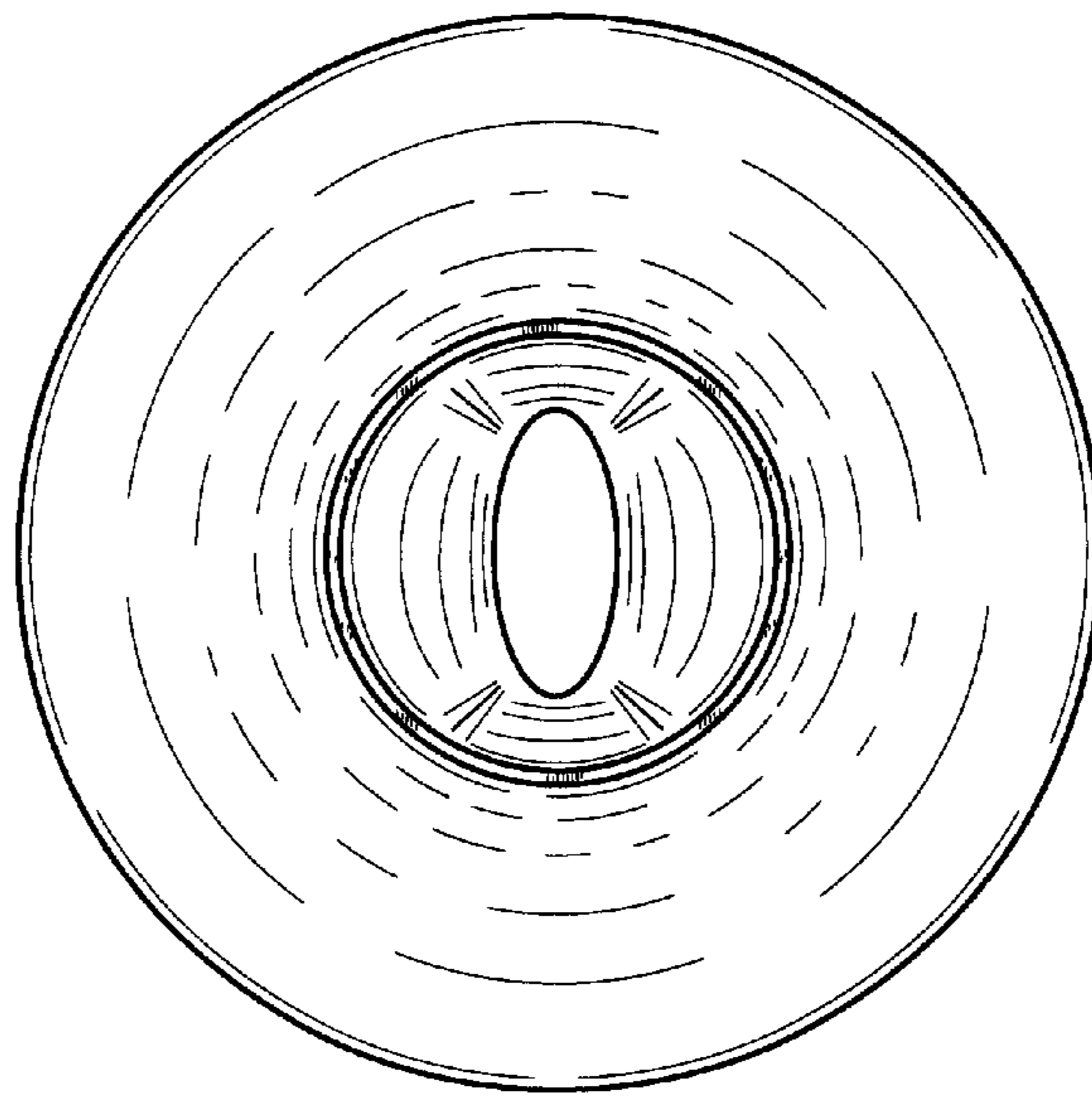


FIG. 10

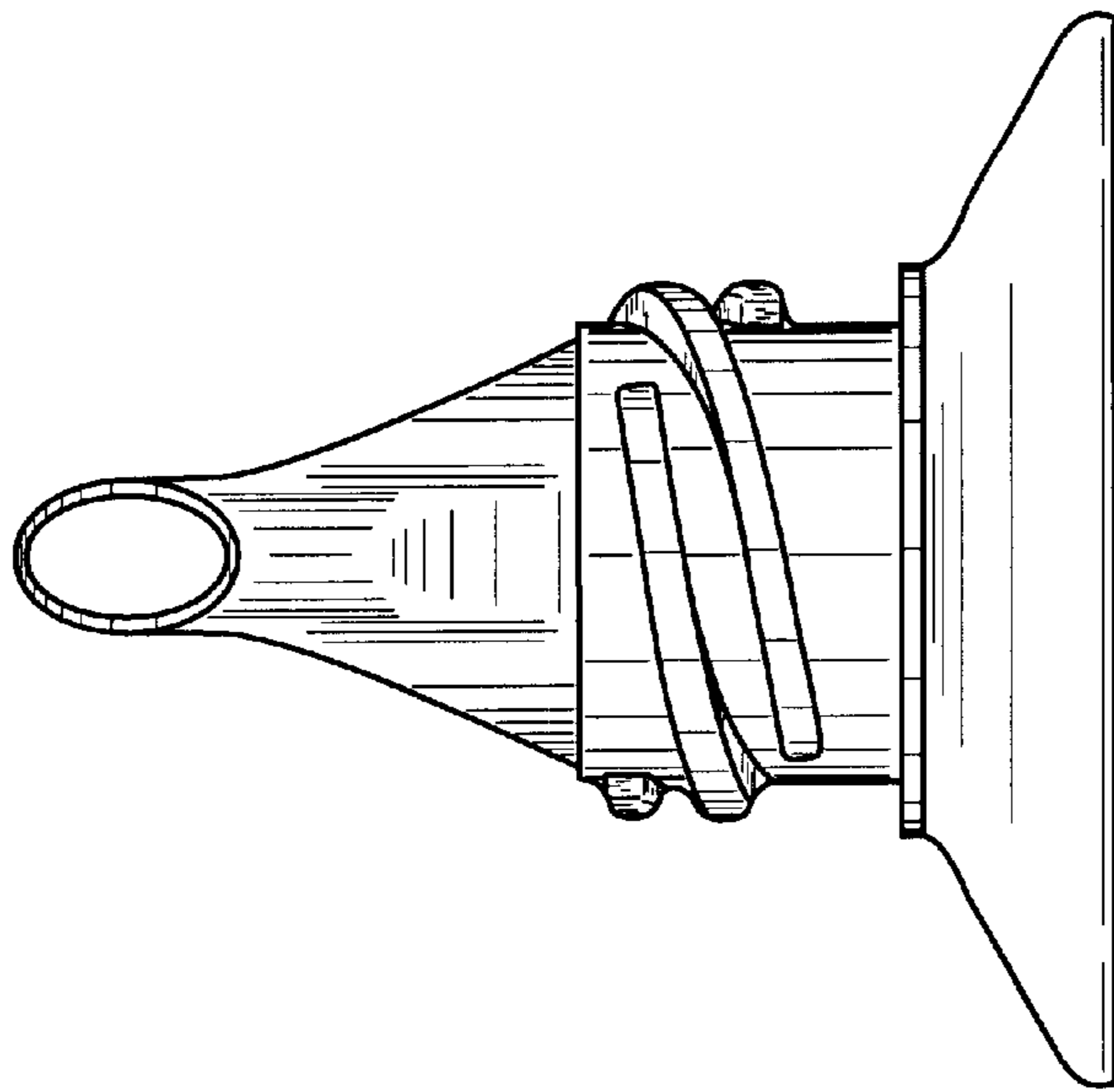


FIG. 11

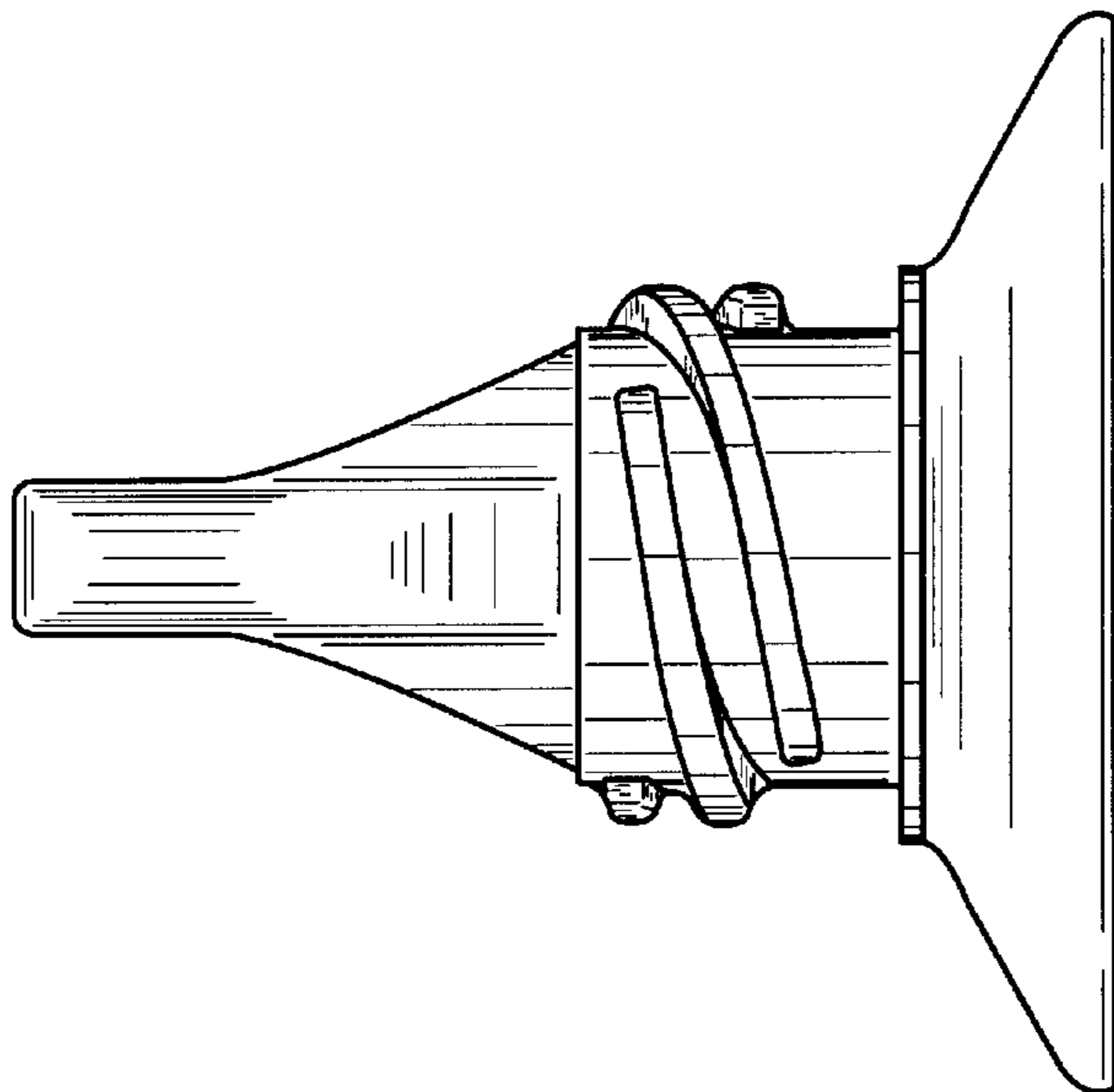


FIG. 12

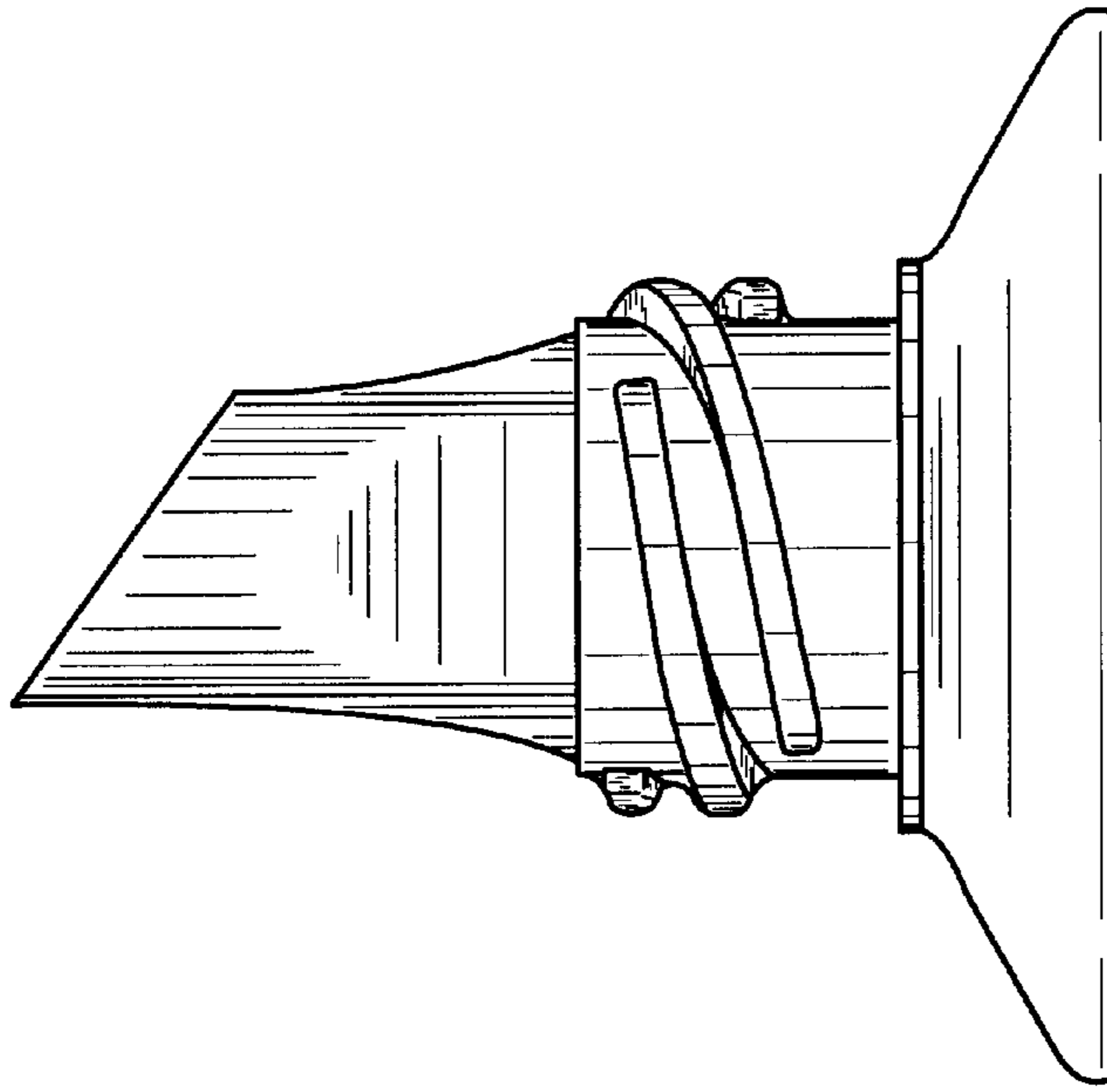


FIG. 13

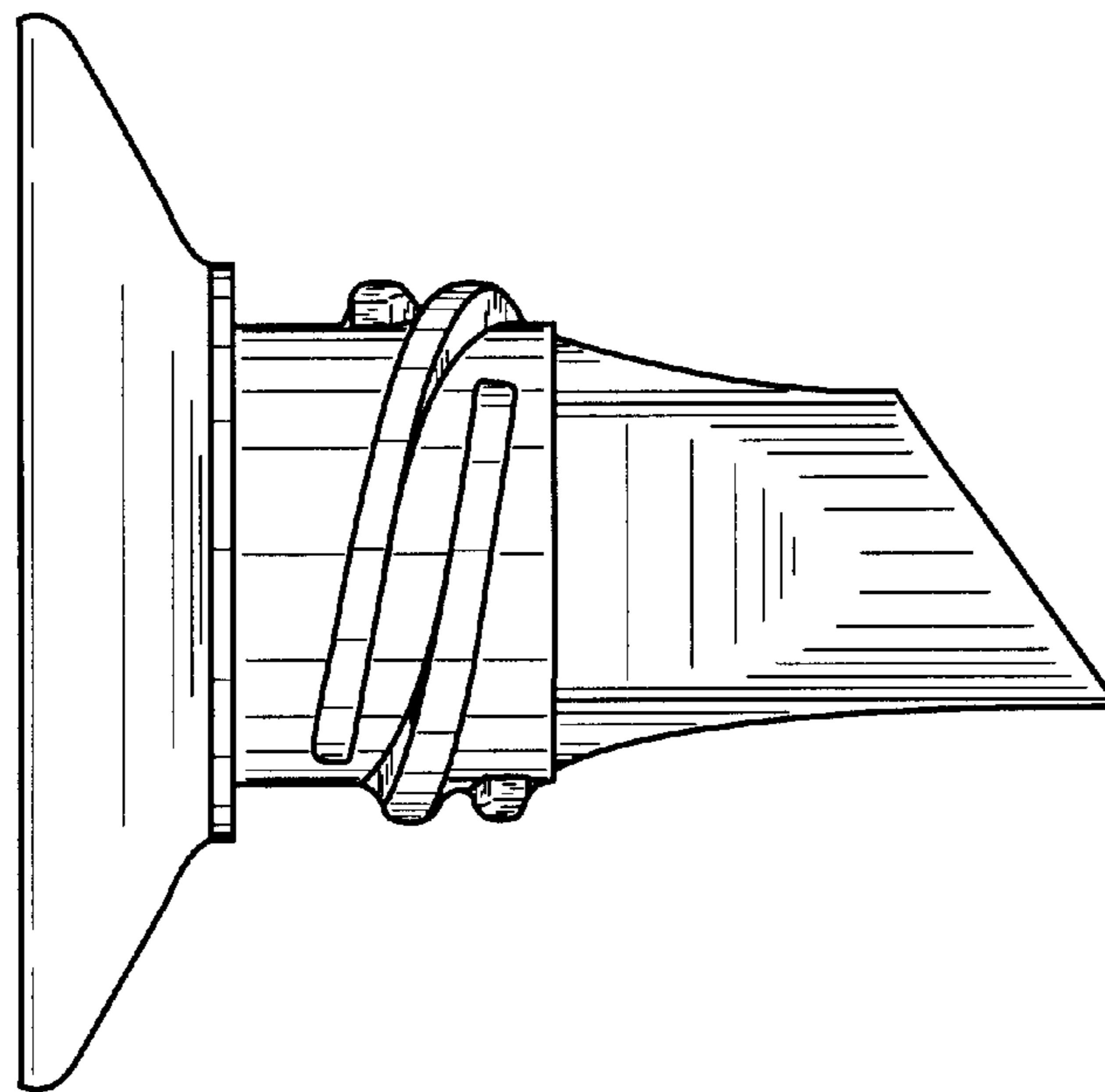


FIG. 14