



US00D479465S

(12) **United States Design Patent**  
**Knasel**

(10) **Patent No.:** **US D479,465 S**

(45) **Date of Patent:** **\*\* Sep. 9, 2003**

(54) **CONTAINER-PEDESTAL STACKABLE BOX**

(76) **Inventor:** **Kevin Knasel**, 5200 Virginia Ave., St. Louis, MO (US) 63111

(\*\*) **Term:** **14 Years**

(21) **Appl. No.:** **29/163,755**

(22) **Filed:** **Jul. 12, 2002**

(51) **LOC (7) Cl.** ..... **09-03**

(52) **U.S. Cl.** ..... **D9/432**

(58) **Field of Search** ..... D3/273, 294, 295, D3/903; D11/53, 83, 136; D9/341, 347, 414, 432, 424, 430, 324, 499, 548; 206/736, 738, 756, 763, 764, 765, 45.28, 774, 216, 38, 557, 485-486; D6/518

(56) **References Cited**

**U.S. PATENT DOCUMENTS**

1,865,688 A \* 7/1932 Hannaford  
1,945,792 A \* 2/1934 Stephens

D103,986 S \* 4/1937 Capey  
D113,161 S \* 1/1939 Flier  
3,565,322 A \* 2/1971 Cerf ..... 229/23  
6,047,833 A \* 4/2000 Salomon ..... 206/765  
D456,652 S \* 5/2002 Smith ..... D6/518

\* cited by examiner

*Primary Examiner*—Ted Shooman

*Assistant Examiner*—Daniel Bui

(57) **CLAIM**

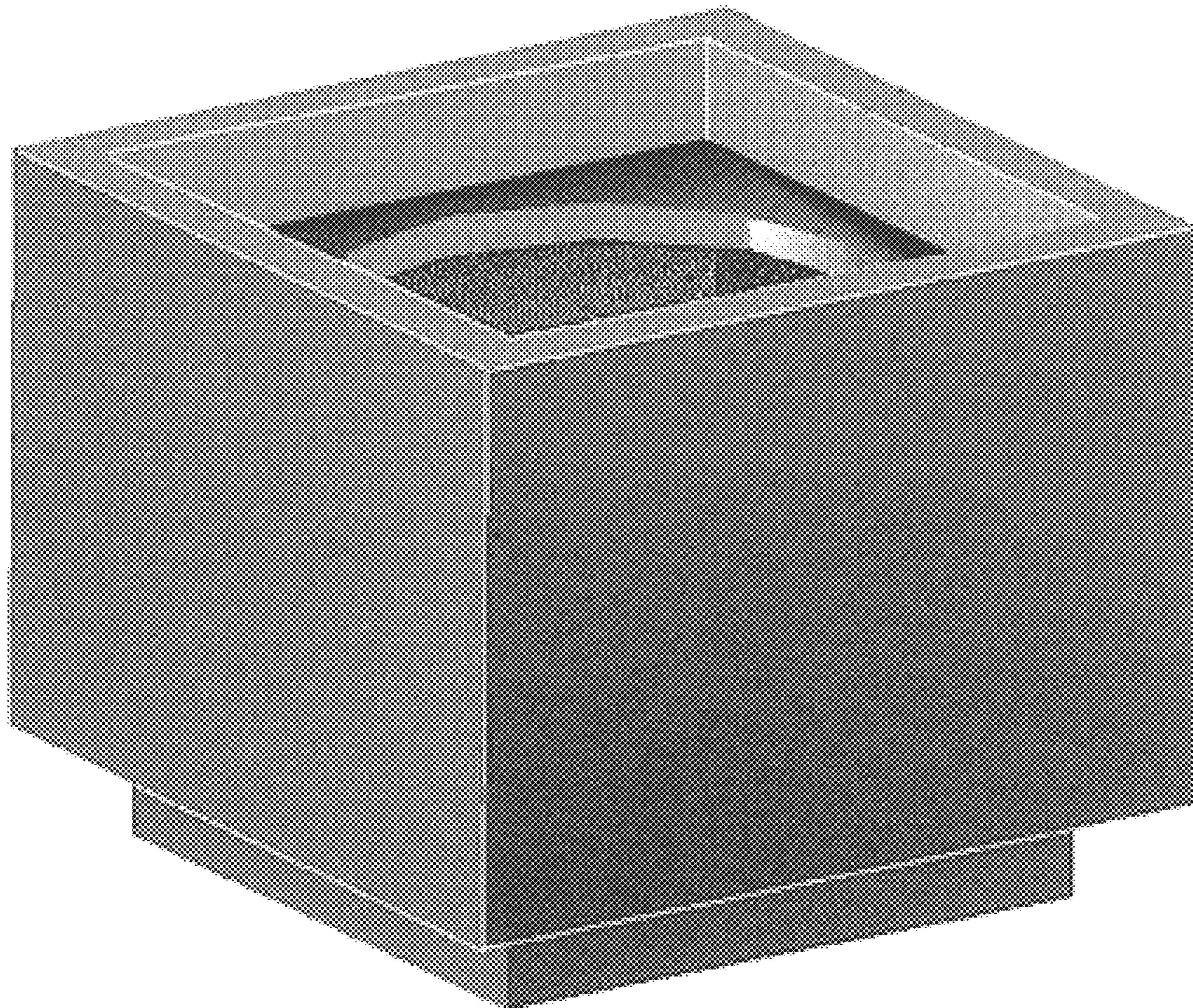
The ornamental design for a container-pedestal stackable box, as shown.

**DESCRIPTION**

FIG. 1 is a front perspective view with bottom shown of the container-pedestal stackable box, showing my new design; and,

FIG. 2 is a front perspective view with top shown of a container-pedestal stackable box of FIG. 1.

**1 Claim, 1 Drawing Sheet**



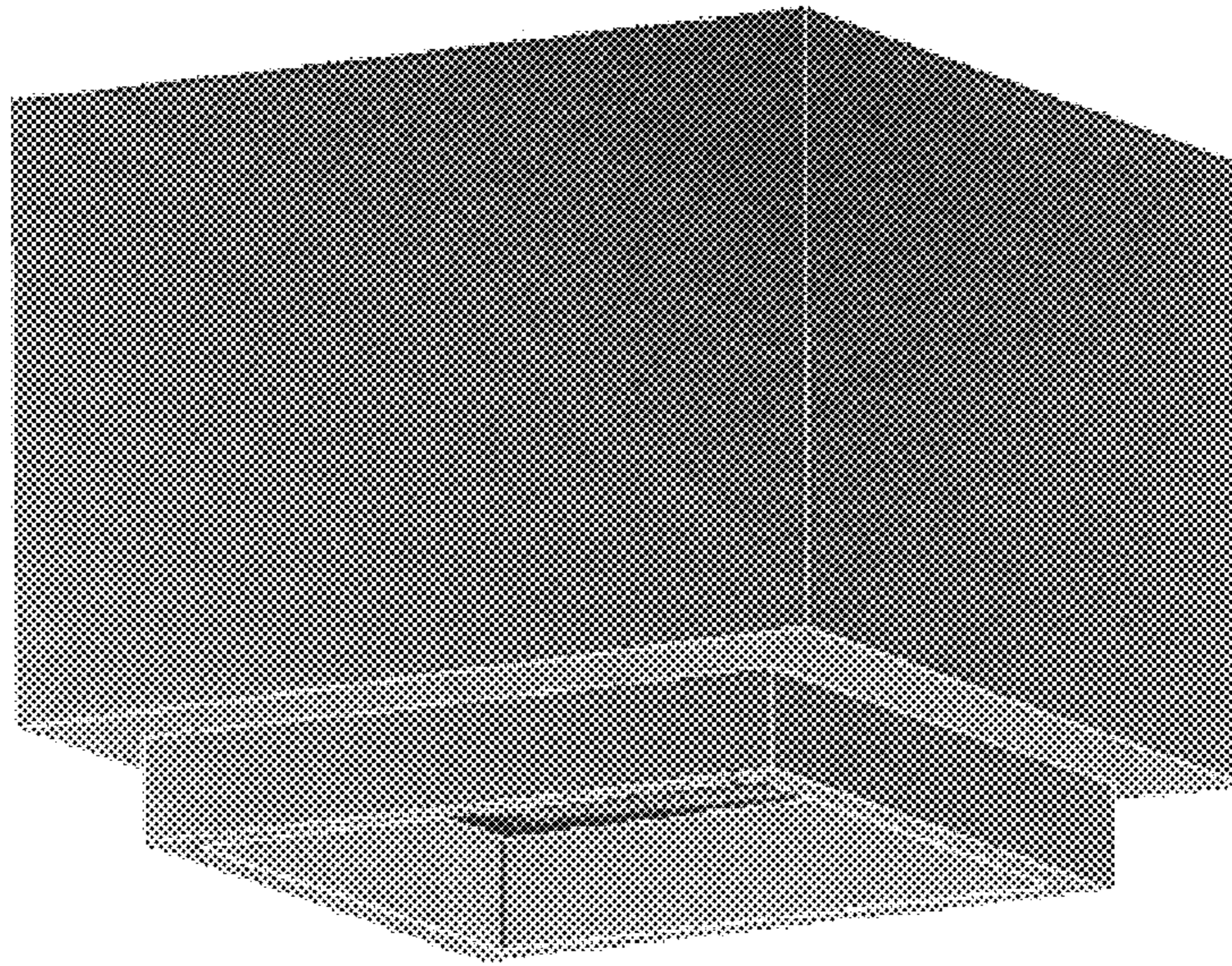


FIG. 1

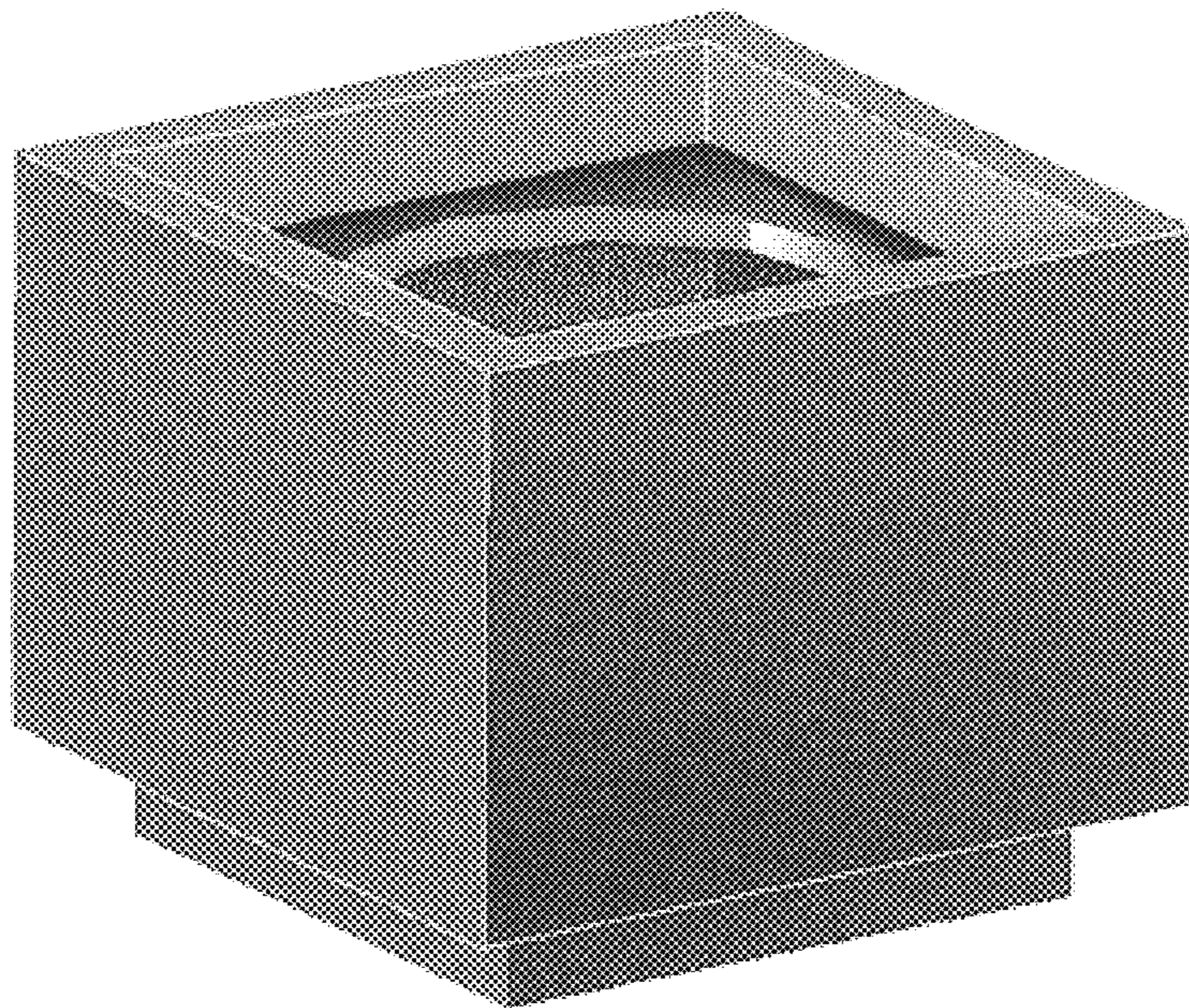


FIG. 2