



US00D479464S

(12) **United States Design Patent**
Kopeccky

(10) **Patent No.:** **US D479,464 S**

(45) **Date of Patent:** **** Sep. 9, 2003**

(54) **CONFECTIONERY PRODUCT CONTAINER**

(75) **Inventor:** **Stanley J. Kopeccky**, Prospect Heights, IL (US)

(73) **Assignee:** **Wm. Wrigley Jr. Company**, Chicago, IL (US)

(**) **Term:** **14 Years**

(21) **Appl. No.:** **29/151,104**

(22) **Filed:** **Oct. 31, 2001**

(51) **LOC (7) Cl.** **09-03**

(52) **U.S. Cl.** **D9/432; D9/433**

(58) **Field of Search** D9/414, 416, 432, D9/433, 499; 206/5, 5.1, 37, 316.1, 476, 494, 527; 220/890; 229/100, 123, 124, 125, 126, 190, 800

(56) **References Cited**

U.S. PATENT DOCUMENTS

D29,593 S * 11/1898 Datz
2,475,294 A * 7/1949 Rafoth 229/1.5

D196,883 S * 11/1963 Robinson D58/12.6
D265,889 S * 8/1982 Lawrence et al. D9/418
5,190,200 A * 3/1993 Hammerlund 225/42
D353,538 S * 12/1994 Jobit D9/432
D402,554 S * 12/1998 Batchelor D9/433
5,996,797 A * 12/1999 Flaig 206/494

* cited by examiner

Primary Examiner—Ted Shooman

Assistant Examiner—Daniel Bui

(74) *Attorney, Agent, or Firm*—Bell, Boyd & Lloyd LLC

(57) **CLAIM**

The ornamental design for a confectionery product container, as shown and described.

DESCRIPTION

FIG. 1 is a top front perspective view of a confectionery product container of my new design in an open position, that portion of the confectionery product container shown in phantom is not part of the design sought to be patented and is provided for environmental purposes only; and, FIG. 2 is a front elevation view thereof.

1 Claim, 1 Drawing Sheet

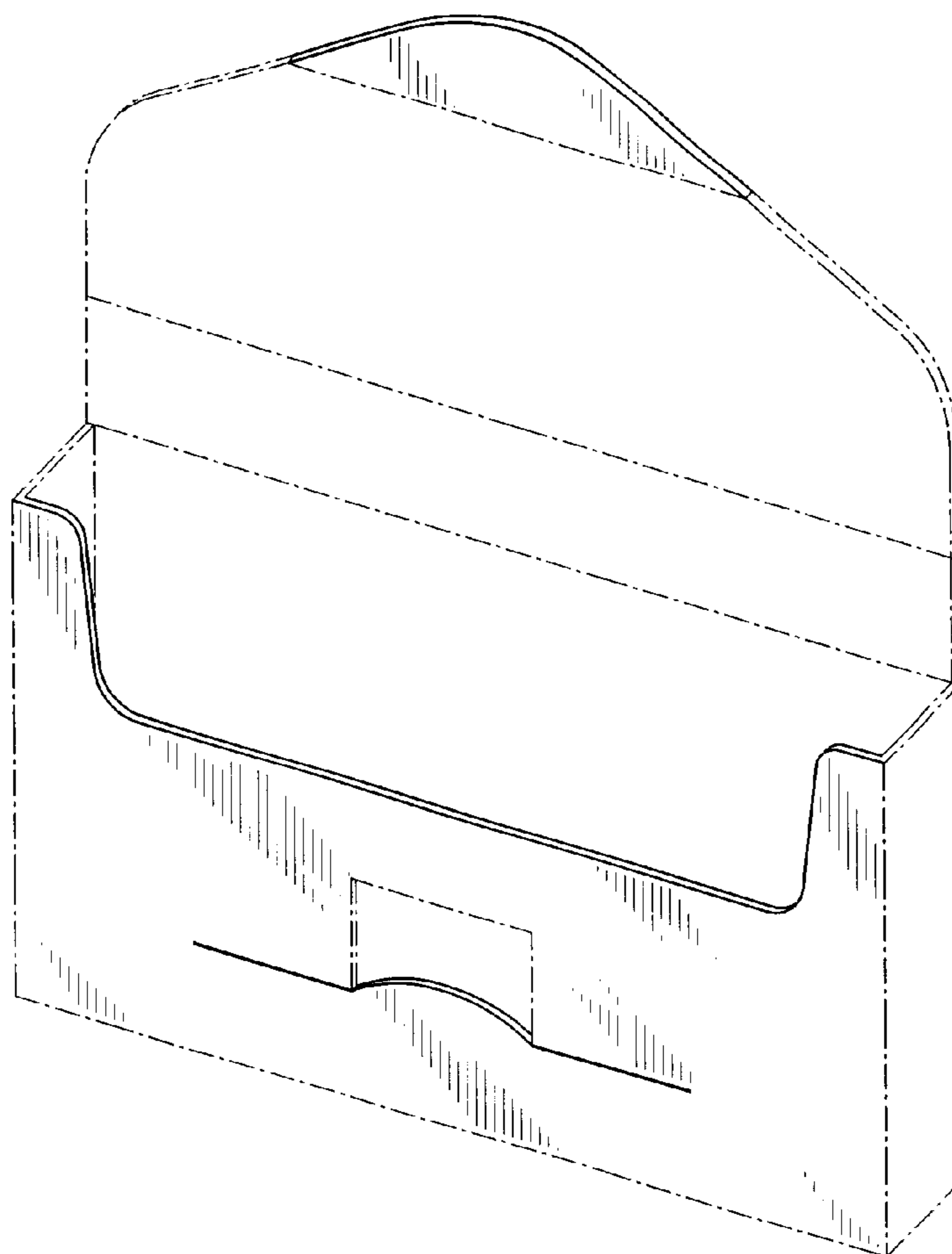


FIG.1

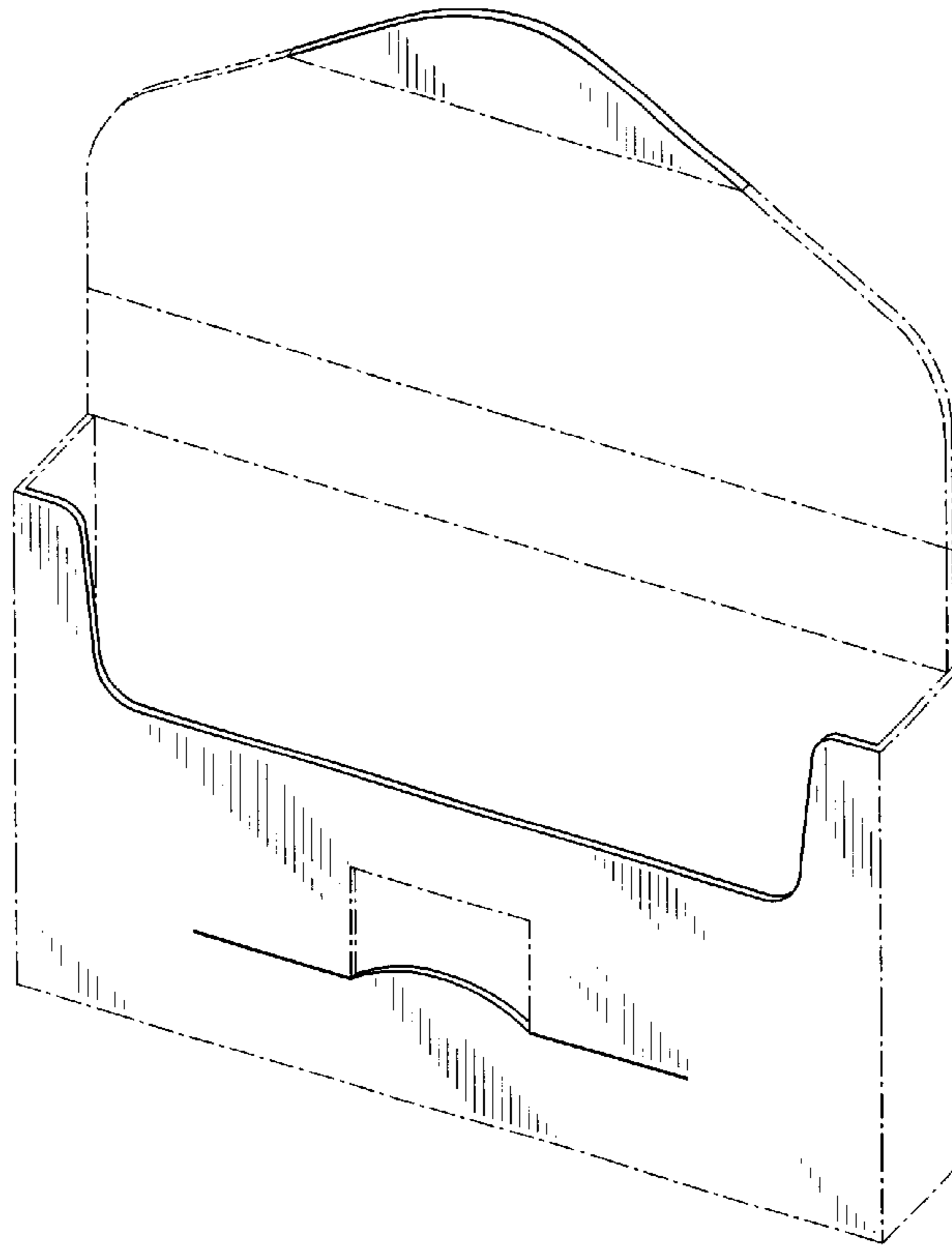


FIG.2

