



US00D479463S

(12) **United States Design Patent**  
**Humphrey**

(10) **Patent No.:** **US D479,463 S**

(45) **Date of Patent:** **\*\* Sep. 9, 2003**

(54) **PACKAGING FOR A CEILING FAN MOTOR**

(75) **Inventor:** **Neill W. Humphrey**, El Dorado Hills,  
CA (US)

(73) **Assignee:** **Craftmade International, Inc.**,  
Coppell, TX (US)

(\*\*) **Term:** **14 Years**

(21) **Appl. No.:** **29/170,093**

(22) **Filed:** **Oct. 30, 2002**

(51) **LOC (7) Cl.** ..... **09-03**

(52) **U.S. Cl.** ..... **D9/424**

(58) **Field of Search** ..... D9/414, 415, 418,  
D9/424, 337, 432, 322; 206/319, 320, 303,  
223, 576, 407, 822; 220/2.1 R, 4.01; 229/103.1,  
108, 116.1, 406

(56) **References Cited**

**U.S. PATENT DOCUMENTS**

2,843,258	A	*	7/1958	Boeye	.....	206/319
2,911,094	A	*	11/1959	Nagel	.....	206/320
3,414,121	A	*	12/1968	Suzuki	.....	206/320
3,580,467	A	*	5/1971	Pleszak	.....	206/319
D232,622	S	*	9/1974	Heelan	.....	D9/424

4,166,531	A	*	9/1979	Fujiwara	.....	206/320
D307,867	S	*	5/1990	Lewis	.....	D9/424
5,232,090	A	*	8/1993	Raab et al.	.....	206/320
5,779,045	A	*	7/1998	Yu	.....	206/320
D433,626	S	*	11/2000	Humphrey	.....	D9/415
D472,142	S	*	3/2003	Weinmann	.....	D9/415

\* cited by examiner

*Primary Examiner*—Prabhakar Deshmukh

(74) *Attorney, Agent, or Firm*—Haynes and Boone, LLP

(57) **CLAIM**

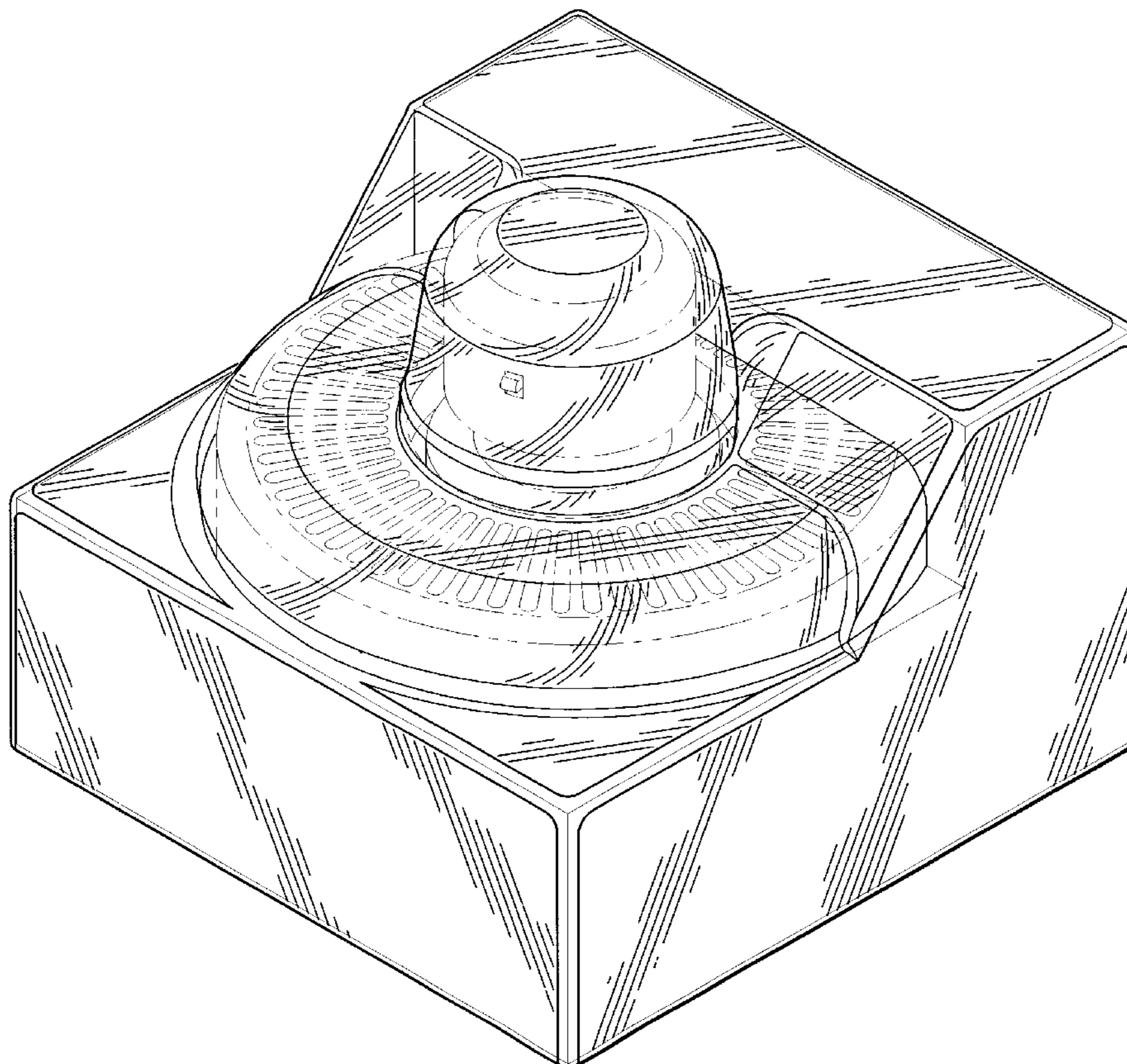
The ornamental design for packaging for a ceiling fan motor, as shown and described.

**DESCRIPTION**

FIG. 1 is a top perspective view of the packaging for a ceiling fan motor showing my design;  
FIG. 2 is a front elevational view thereof;  
FIG. 3 is a top plan view thereof;  
FIG. 4 is a side elevational view thereof;  
FIG. 5 is a side elevational view thereof;  
FIG. 6 is a back elevational view thereof; and,  
FIG. 7 is a bottom plan view thereof.

Any broken line illustration of environmental structure in the drawings is not part of the design sought to be patented.

**1 Claim, 4 Drawing Sheets**



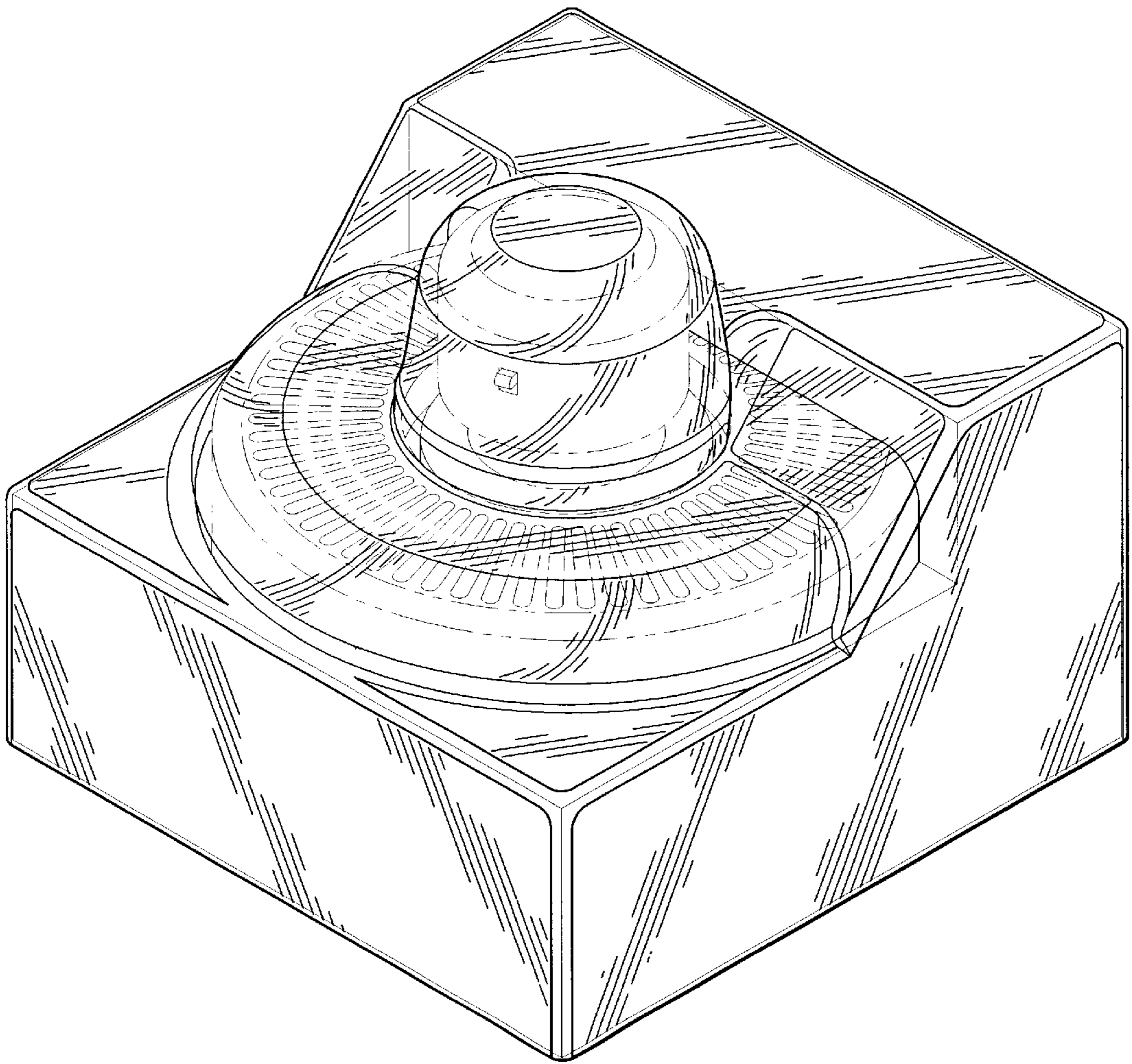


FIG. 1



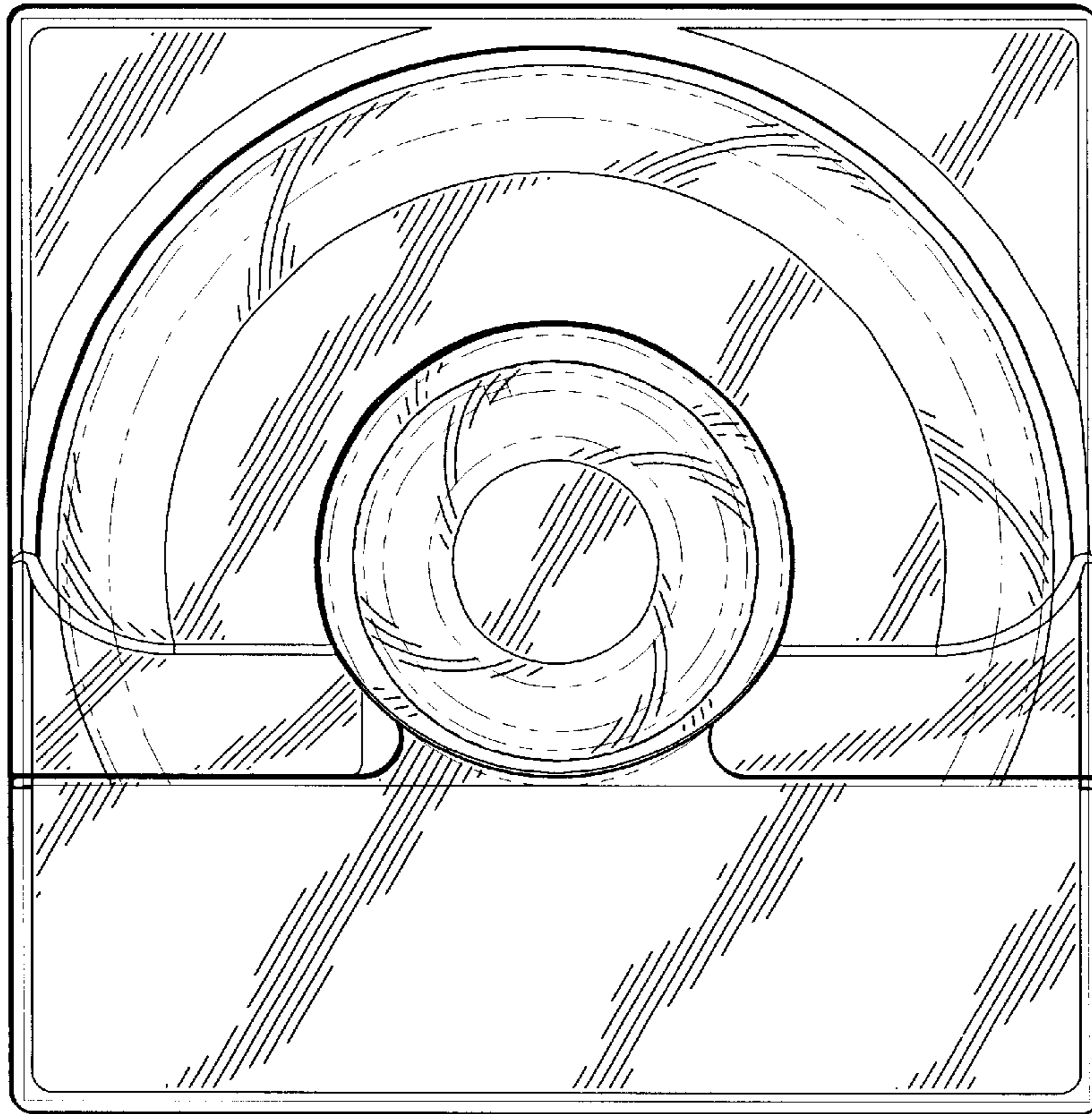


FIG. 2

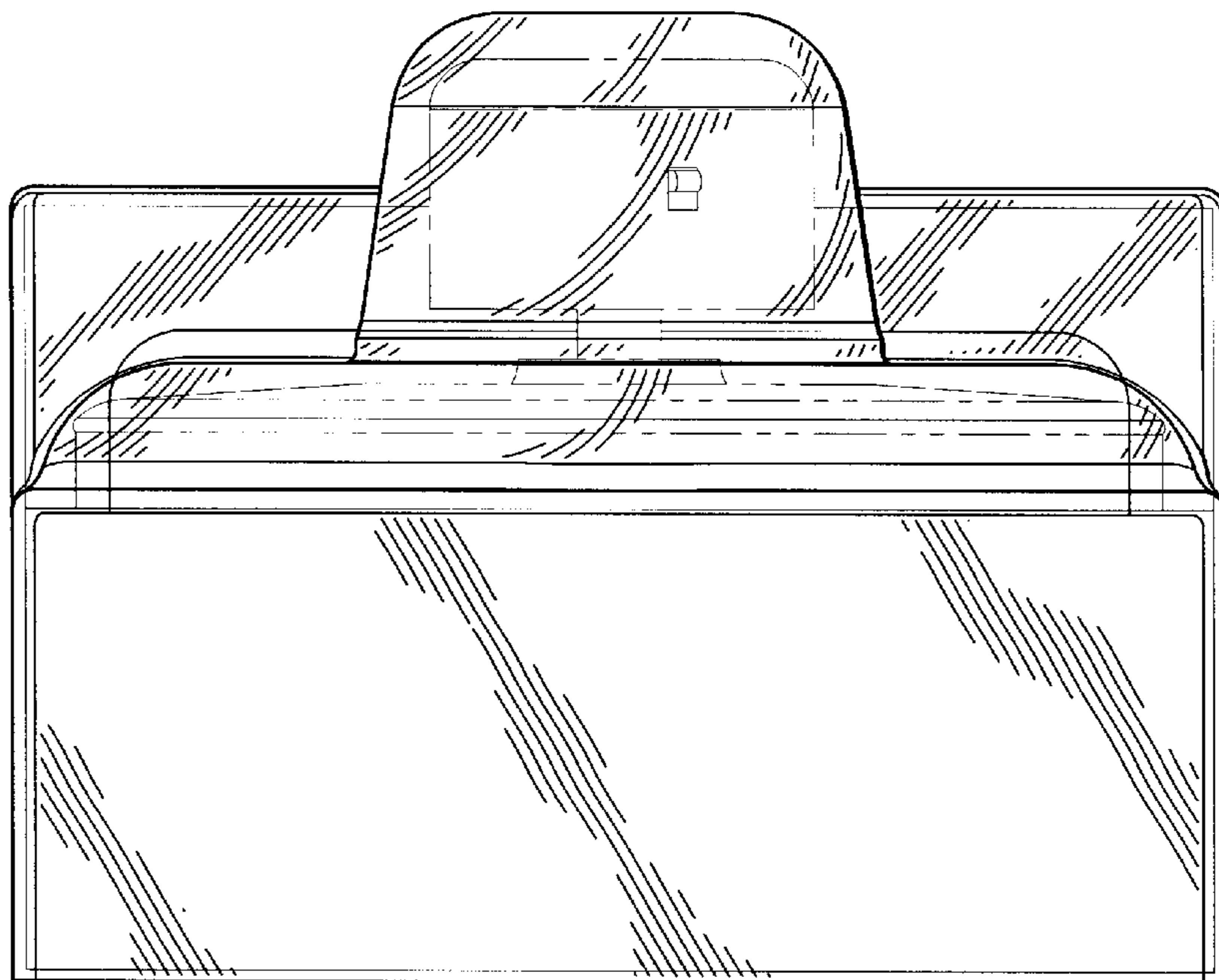


FIG. 3

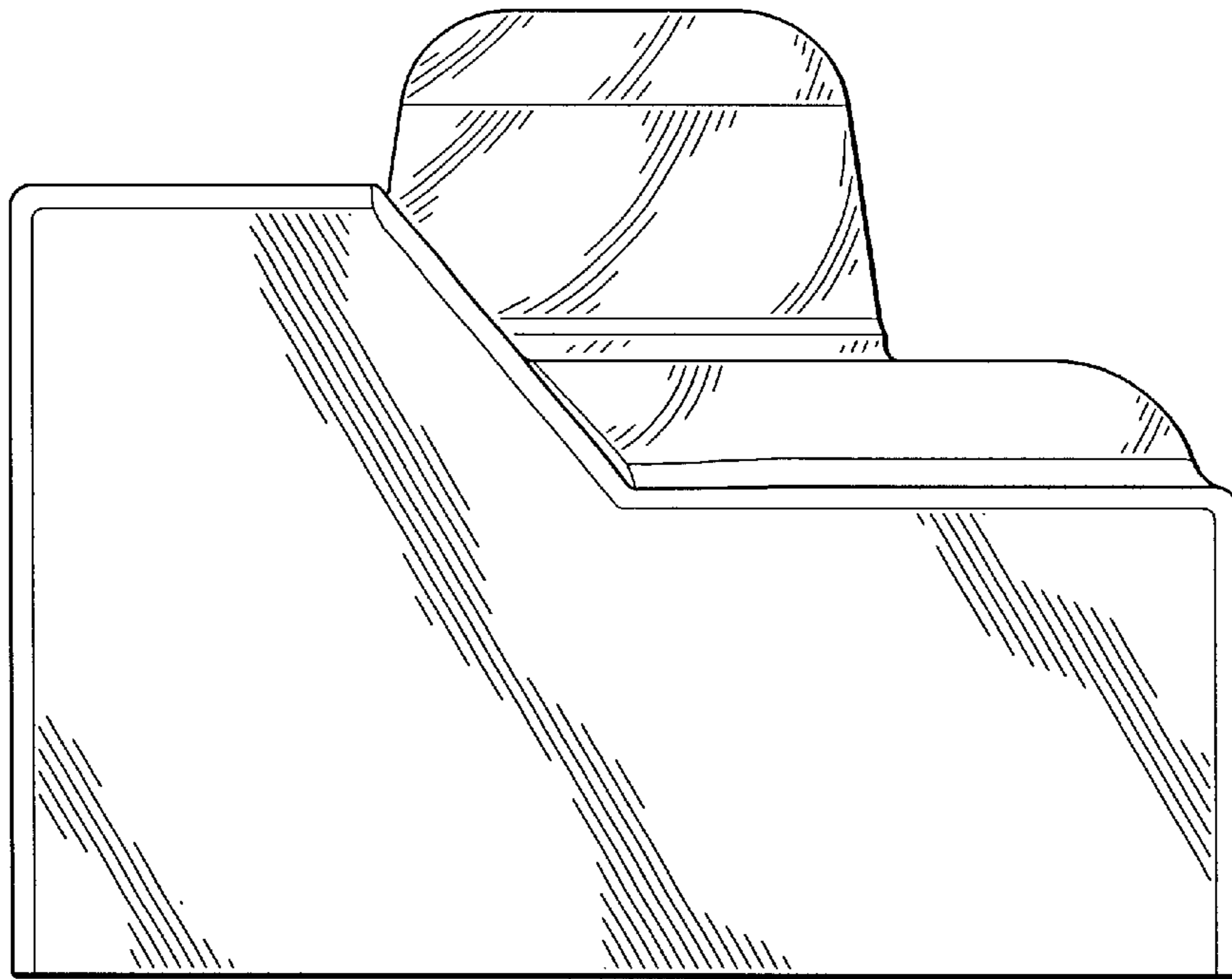


FIG. 4

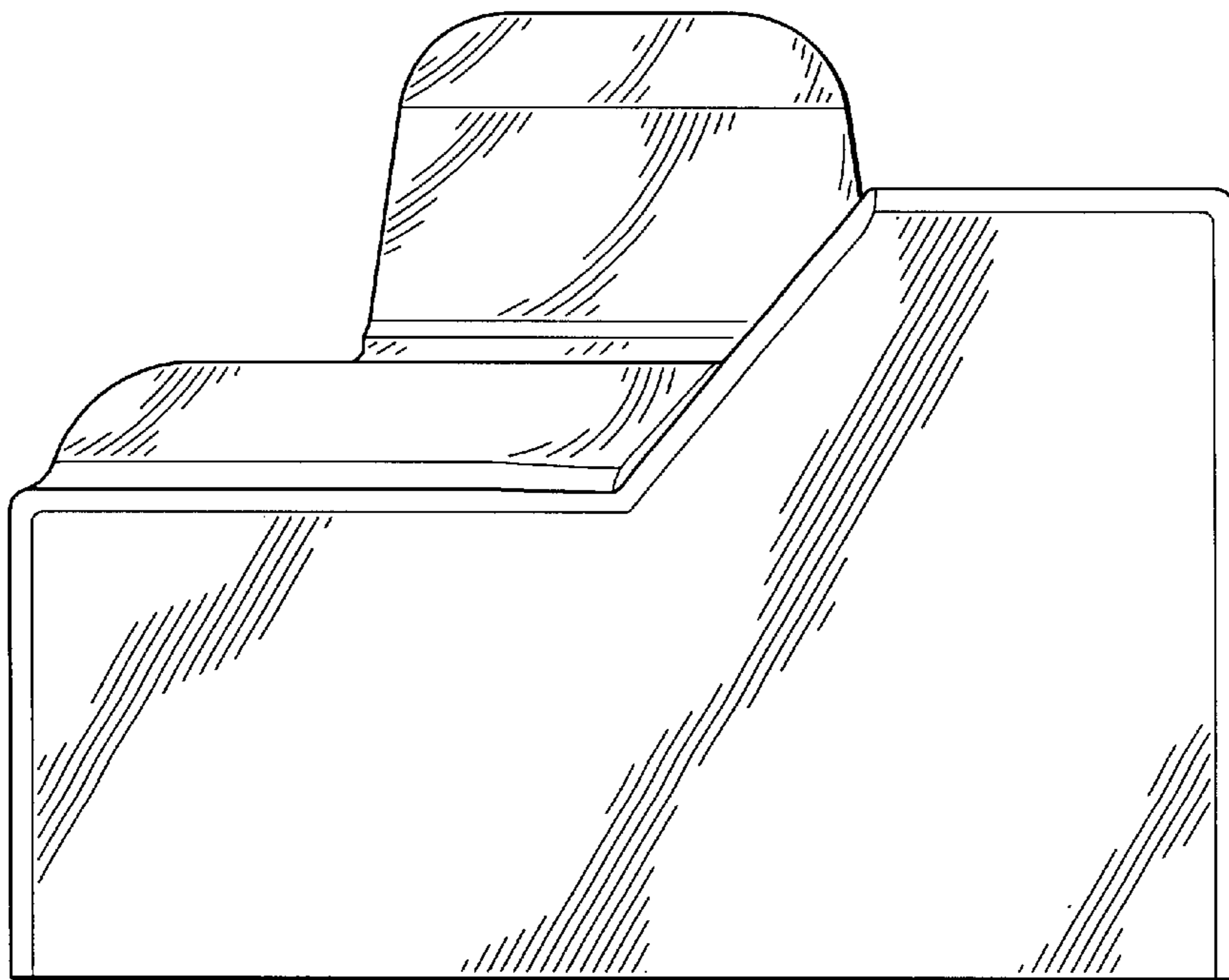


FIG. 5

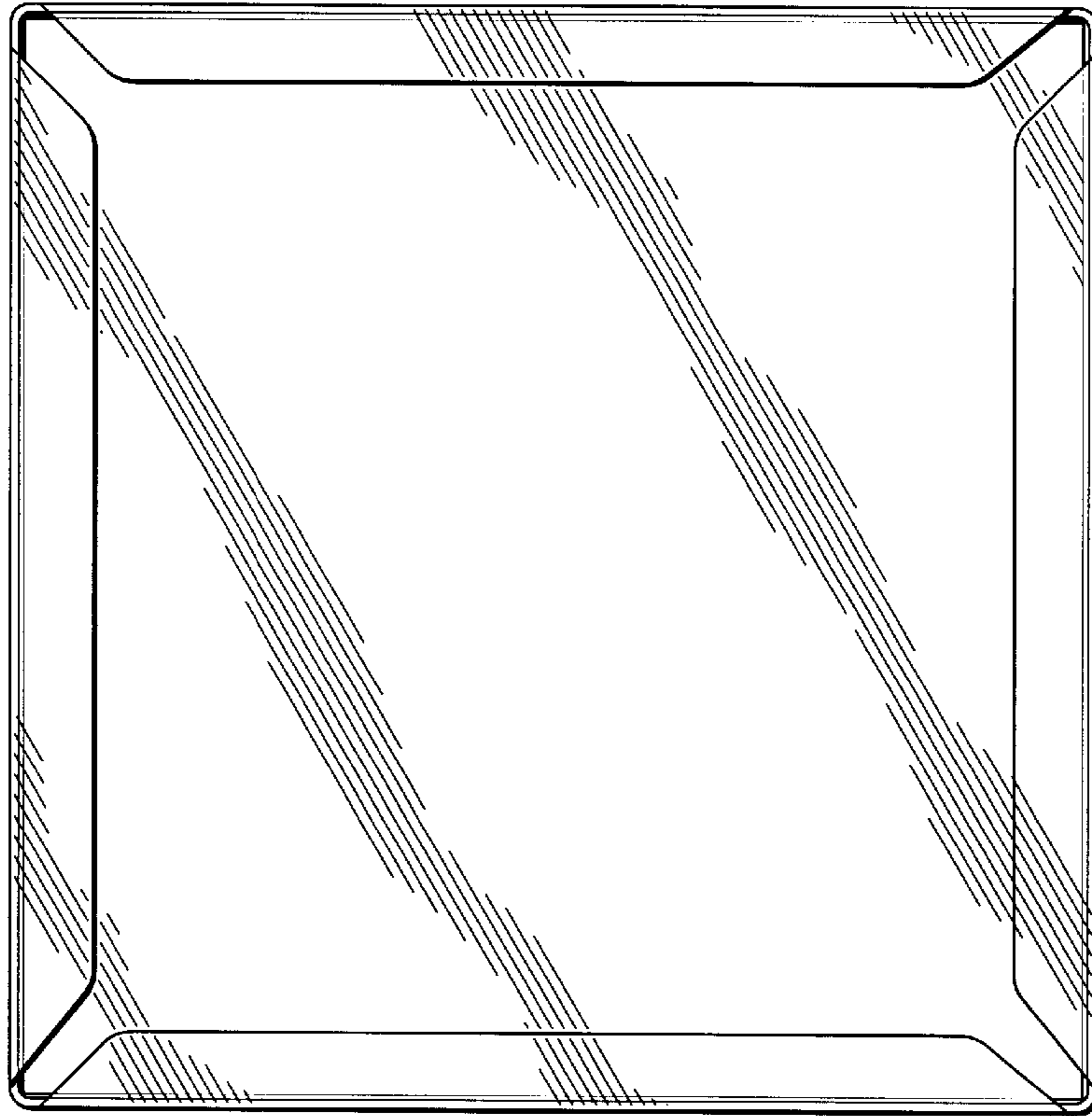


FIG. 6

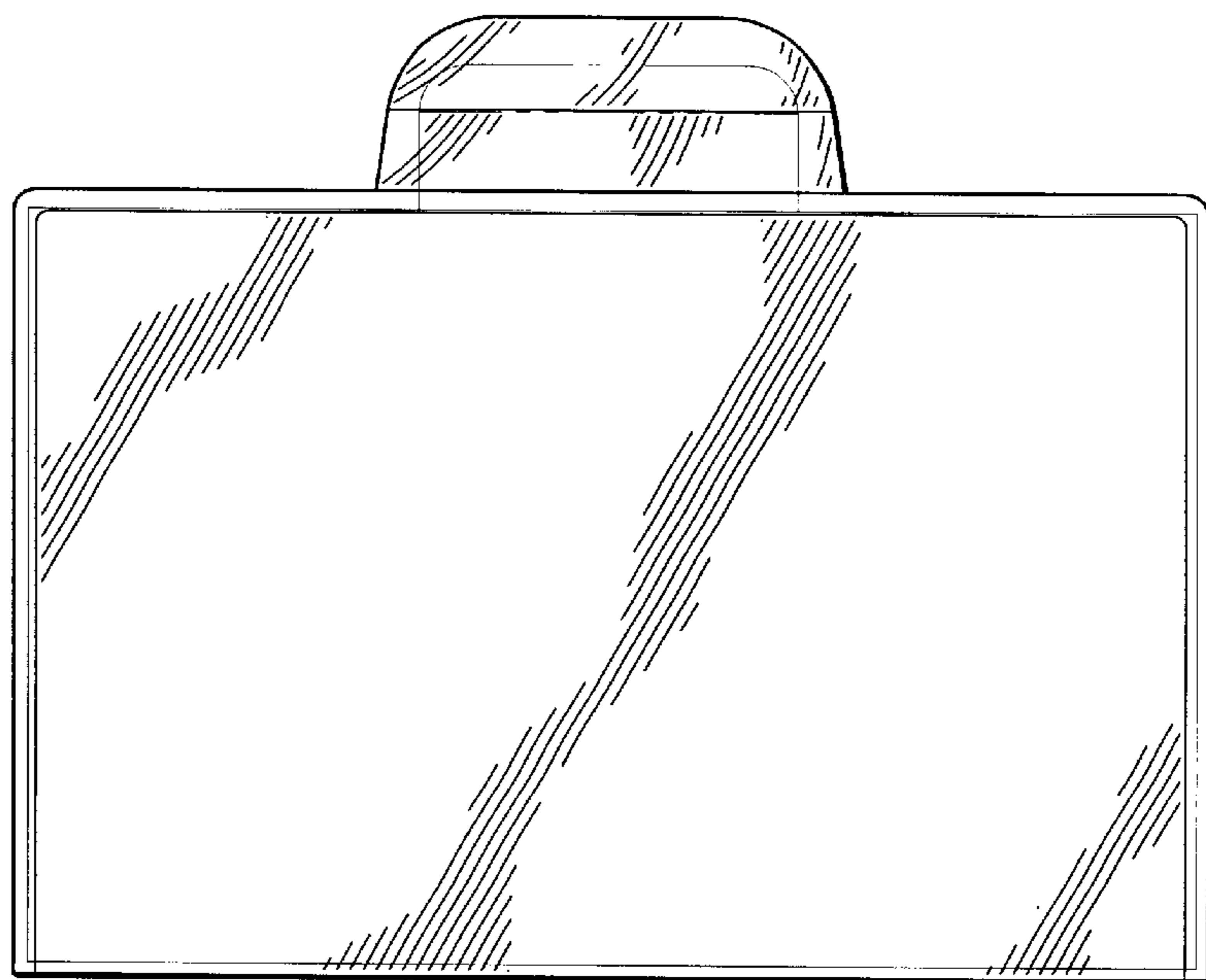


FIG. 7