



US00D479462S

(12) **United States Design Patent**  
**Chan**

(10) **Patent No.:** **US D479,462 S**

(45) **Date of Patent:** **\*\* Sep. 9, 2003**

(54) **CONTAINER FOR TIE TAMER**  
(75) Inventor: **Chik Sum Chan, Yuen Long (HK)**  
(73) Assignee: **Kado Industrial Company Limited, Shatin (HK)**  
(\*\*) Term: **14 Years**

4,113,098 A \* 9/1978 Howard ..... 206/540  
4,691,456 A \* 9/1987 Ackeret ..... 206/776  
5,285,897 A \* 2/1994 Ozaki ..... 206/815  
D407,972 S \* 4/1999 Hilton ..... D9/422  
D432,911 S \* 10/2000 Clarke et al. .... D9/422  
D446,718 S \* 8/2001 Anderson ..... D9/422  
D465,729 S \* 11/2002 Nishimura ..... D9/422

\* cited by examiner

(21) Appl. No.: **29/167,837**  
(22) Filed: **Sep. 19, 2002**  
(30) **Foreign Application Priority Data**

Aug. 9, 2002 (GB) ..... 3006109

(51) **LOC (7) Cl.** ..... **09-03**  
(52) **U.S. Cl.** ..... **D9/422**  
(58) **Field of Search** ..... D9/414, 422, 424,  
D9/432, 337; D3/201, 298, 905, 901; 220/345.1,  
345.2, 345.3, 351, 354.4, 253, 8, 23.2,  
811, 812; 206/216, 538, 539, 540, 828,  
493, 581, 278, 300

(56) **References Cited**  
**U.S. PATENT DOCUMENTS**

2,295,747 A \* 9/1942 Mills ..... 220/351  
3,833,143 A \* 9/1974 Starkermann et al. .... 220/351  
3,918,577 A \* 11/1975 Horzick ..... 206/562

*Primary Examiner*—Prabhakar Deshmukh  
(74) *Attorney, Agent, or Firm*—Smith-Hill and Bedell

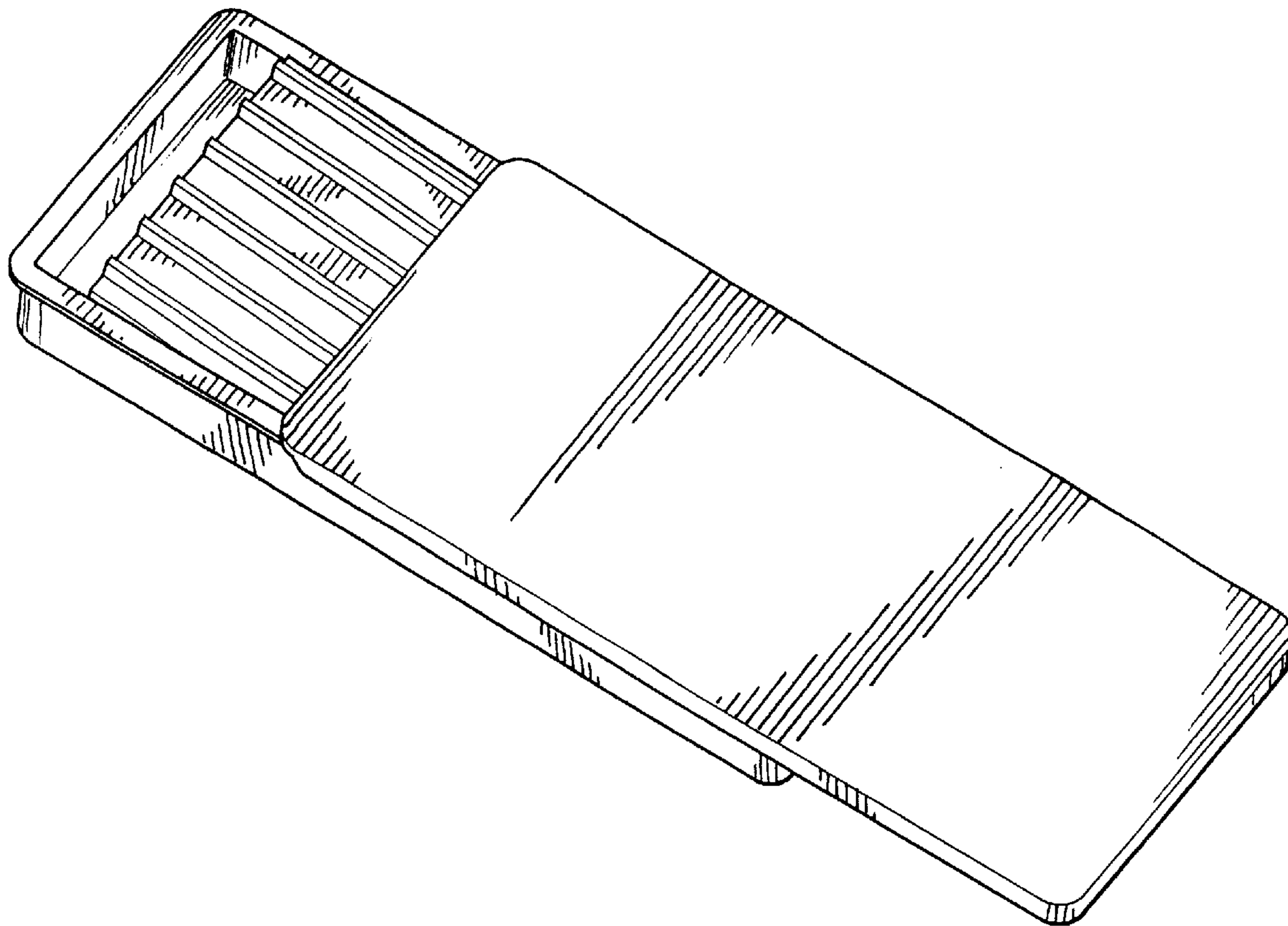
(57) **CLAIM**

The ornamental design for “a container for tie tamer”, as shown and described.

**DESCRIPTION**

FIG. 1 is a top perspective view of the article;  
FIG. 2 is a top perspective view of the article in a partially opened position;  
FIG. 3 is a top view of the article;  
FIG. 4 is bottom view of the article;  
FIG. 5 is a side view of the article;  
FIG. 6 is another side view of the article;  
FIG. 7 is a rear view of the article; and,  
FIG. 8 is a front view of the article.

**1 Claim, 3 Drawing Sheets**



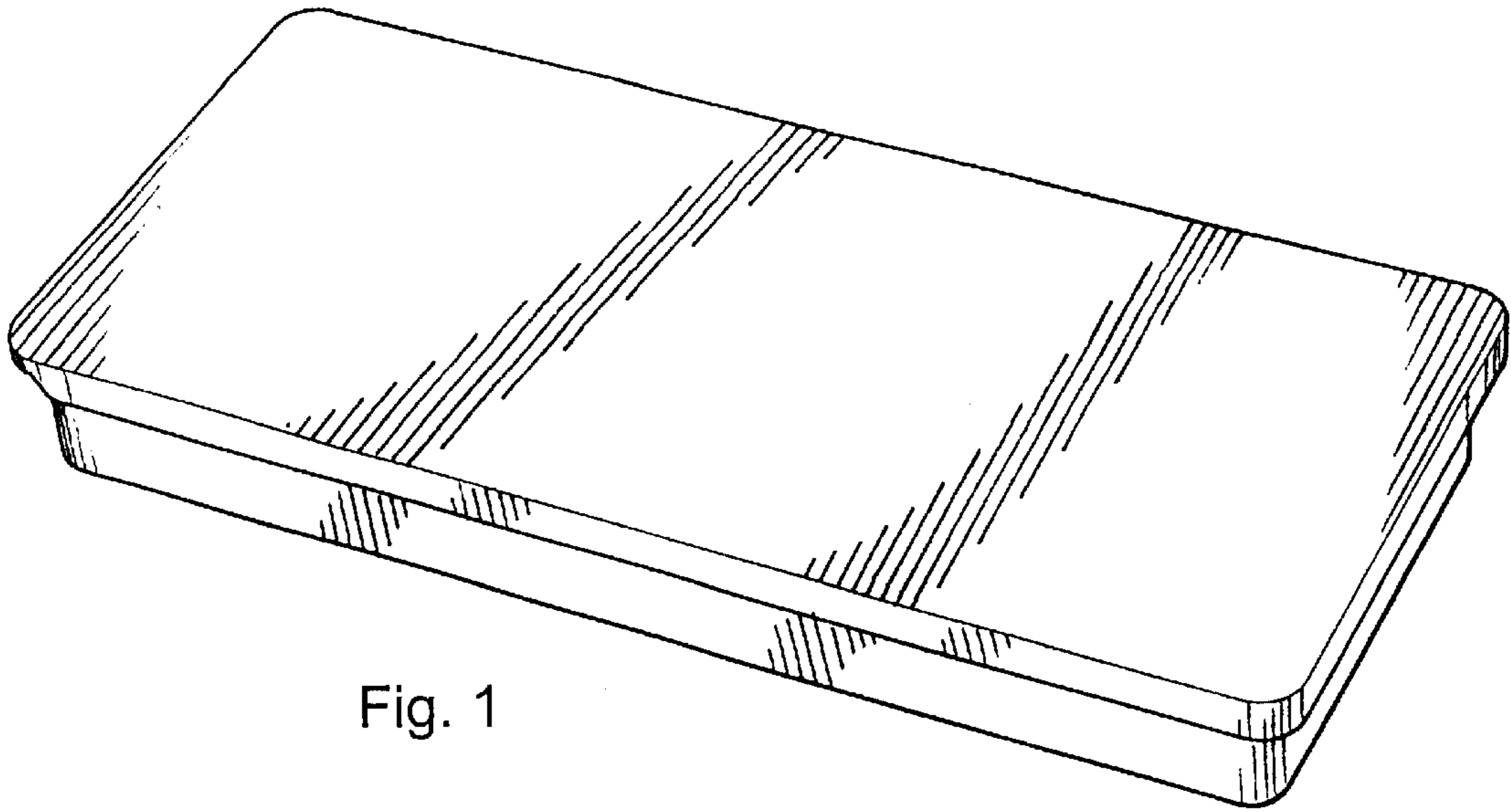


Fig. 1

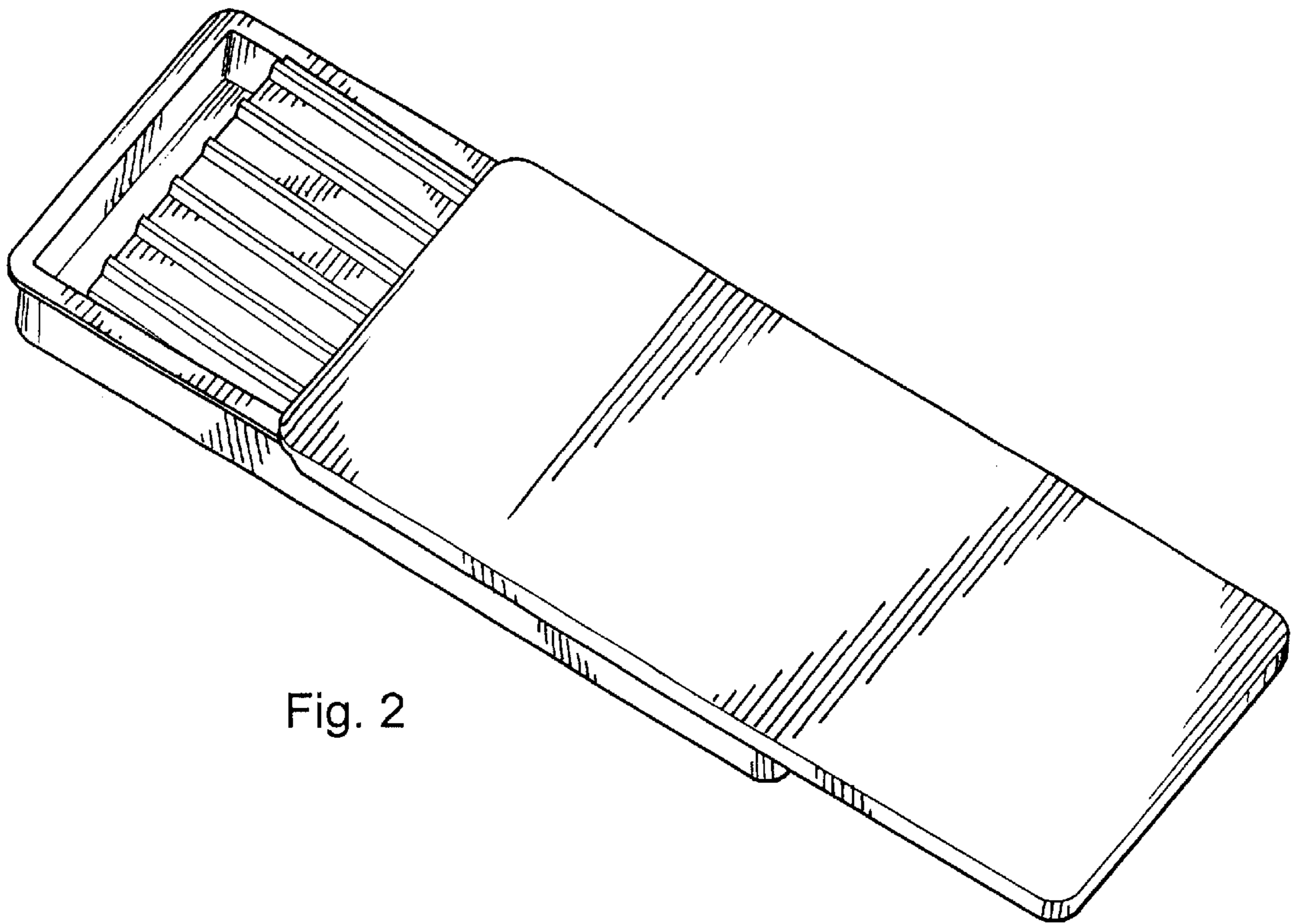


Fig. 2

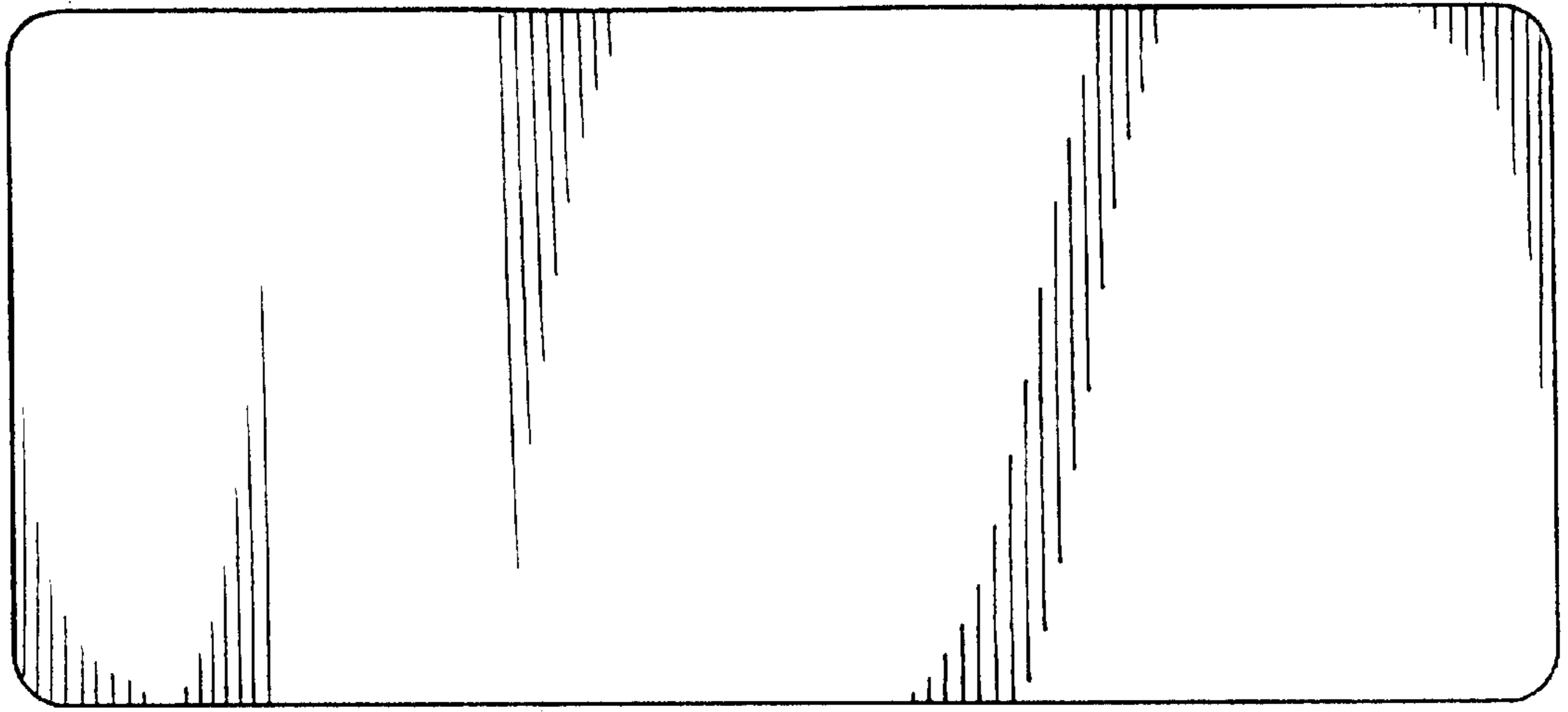


Fig. 3

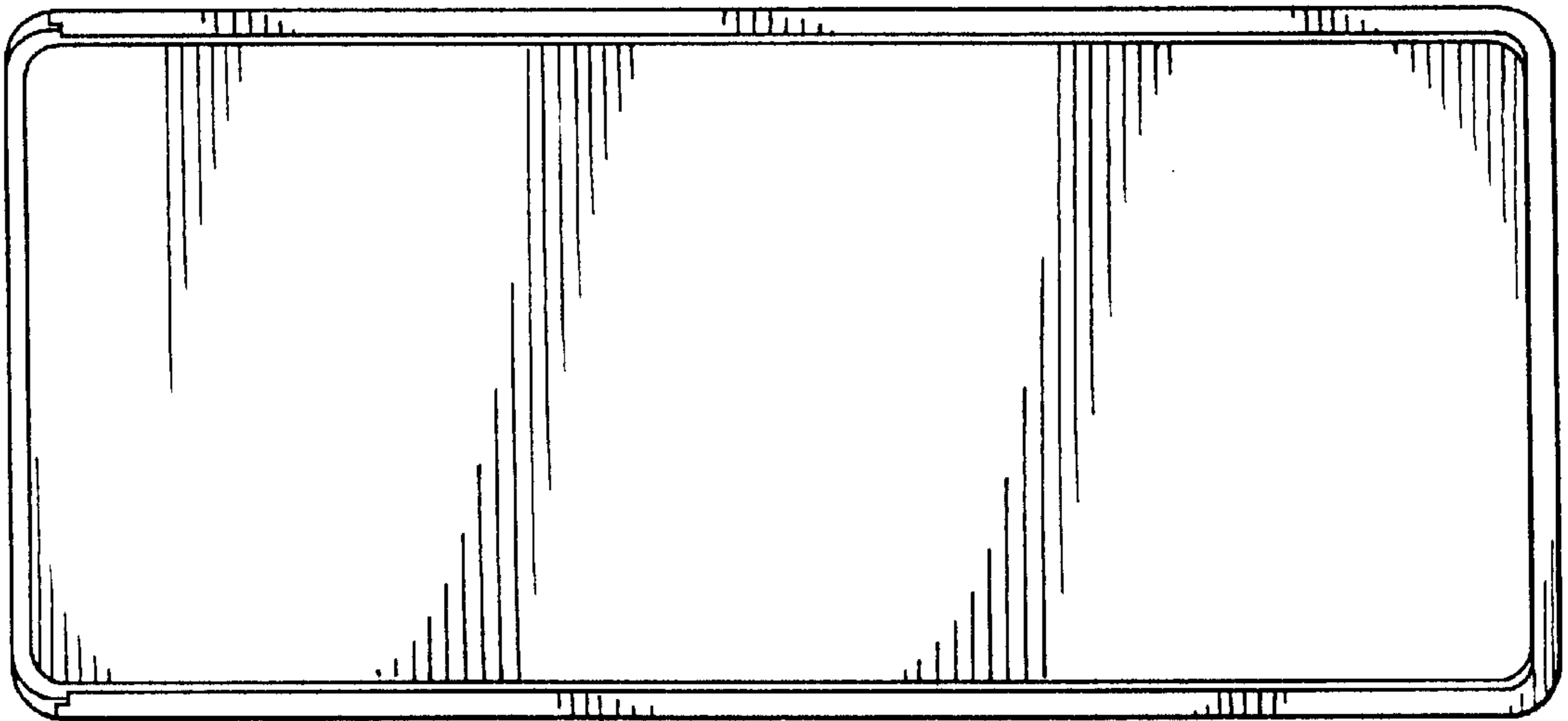


Fig. 4

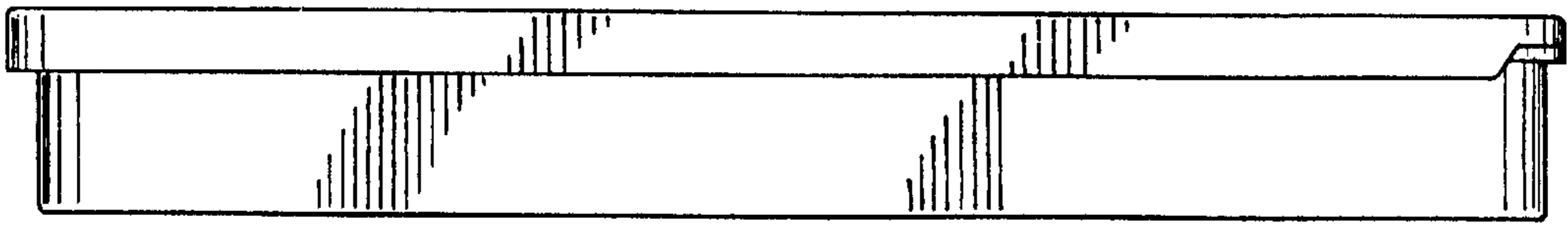


Fig. 5

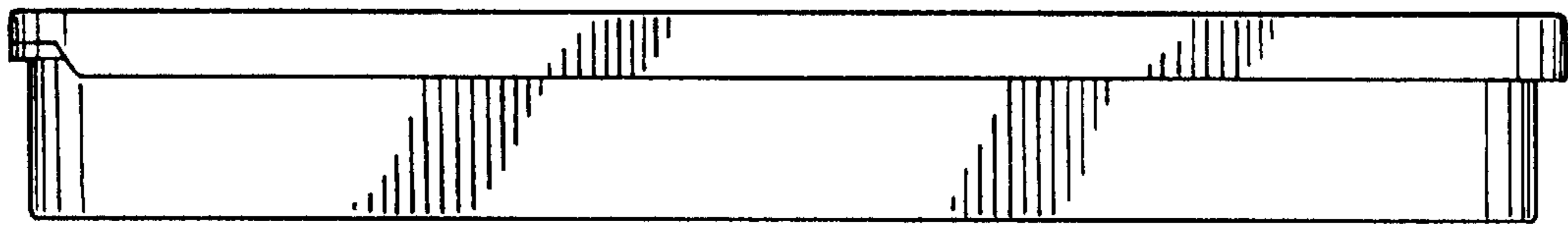


Fig. 6

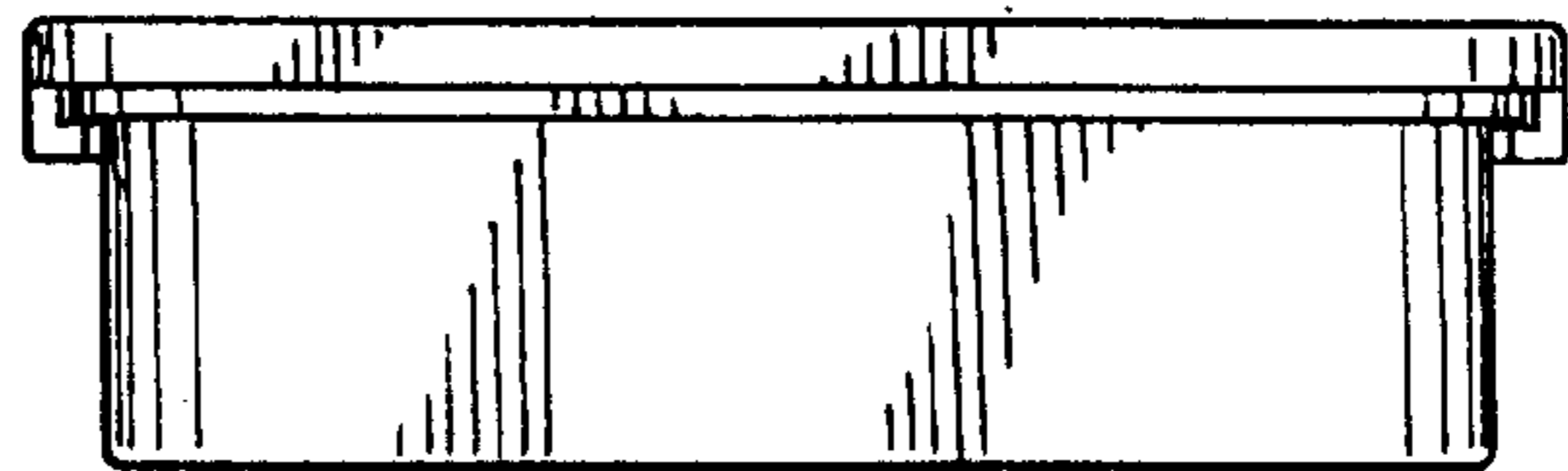


Fig. 7

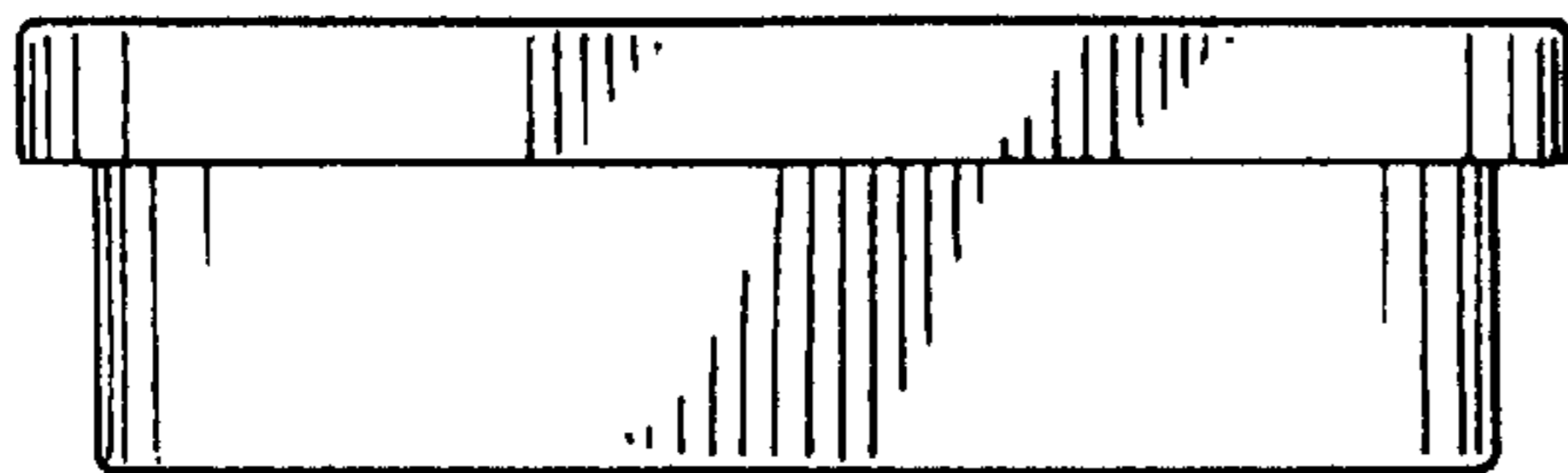


Fig. 8