



US00D479459S

(12) **United States Design Patent**
Homberg

(10) **Patent No.:** **US D479,459 S**

(45) **Date of Patent:** **** Sep. 9, 2003**

(54) **DOOR CLOSER**

(75) Inventor: **Jürgen Homberg**, Hagen (DE)

(73) Assignee: **DORMA GmbH + Co. KG**, Ennepetal (DE)

(**) Term: **14 Years**

(21) Appl. No.: **29/144,837**

(22) Filed: **Jul. 11, 2001**

(30) **Foreign Application Priority Data**

Jan. 11, 2001 (DE) 4 01 00 426

(51) **LOC (7) Cl.** **08-01**

(52) **U.S. Cl.** **D8/330**

(58) **Field of Search** D8/330; 16/49-51,
16/59, 62, 71

(56) **References Cited**

U.S. PATENT DOCUMENTS

D271,277 S * 11/1983 Okazaki D8/330

D273,457 S * 4/1984 Matsuo et al. D8/330
D281,762 S * 12/1985 Okazaki D8/330
D355,580 S * 2/1995 Salena et al. D8/330
D429,992 S * 8/2000 Ginzel et al. D8/330

* cited by examiner

Primary Examiner—Brian N. Vinson

(74) *Attorney, Agent, or Firm*—Nils H. Ljungman & Associates

(57) **CLAIM**

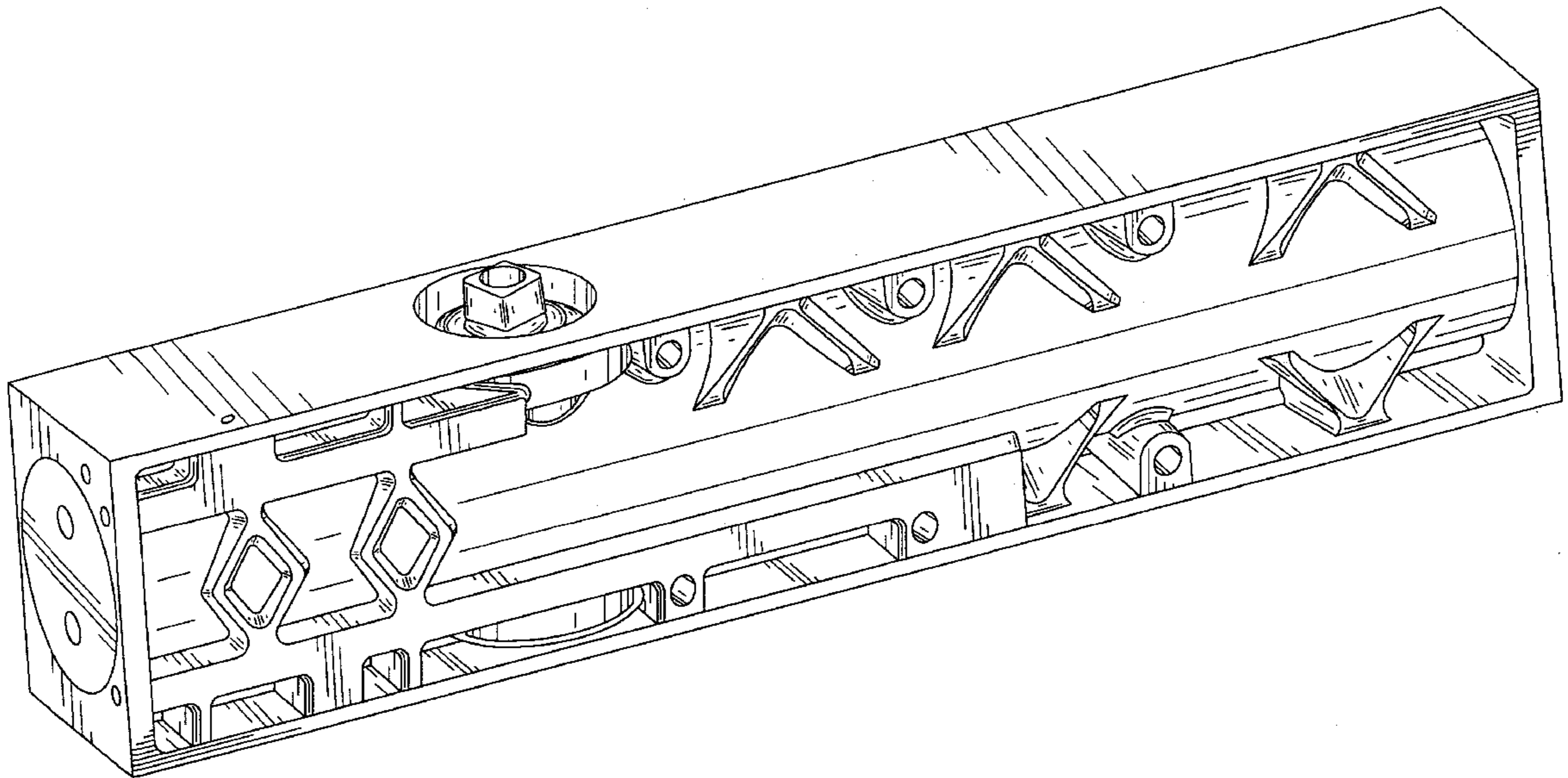
The ornamental design for a door closer, as shown and described.

DESCRIPTION

FIG. 1 is a top, front, and left side perspective view of a door closer showing my new design; and,

FIG. 2 is a top, rear, and right side perspective view thereof.

1 Claim, 2 Drawing Sheets



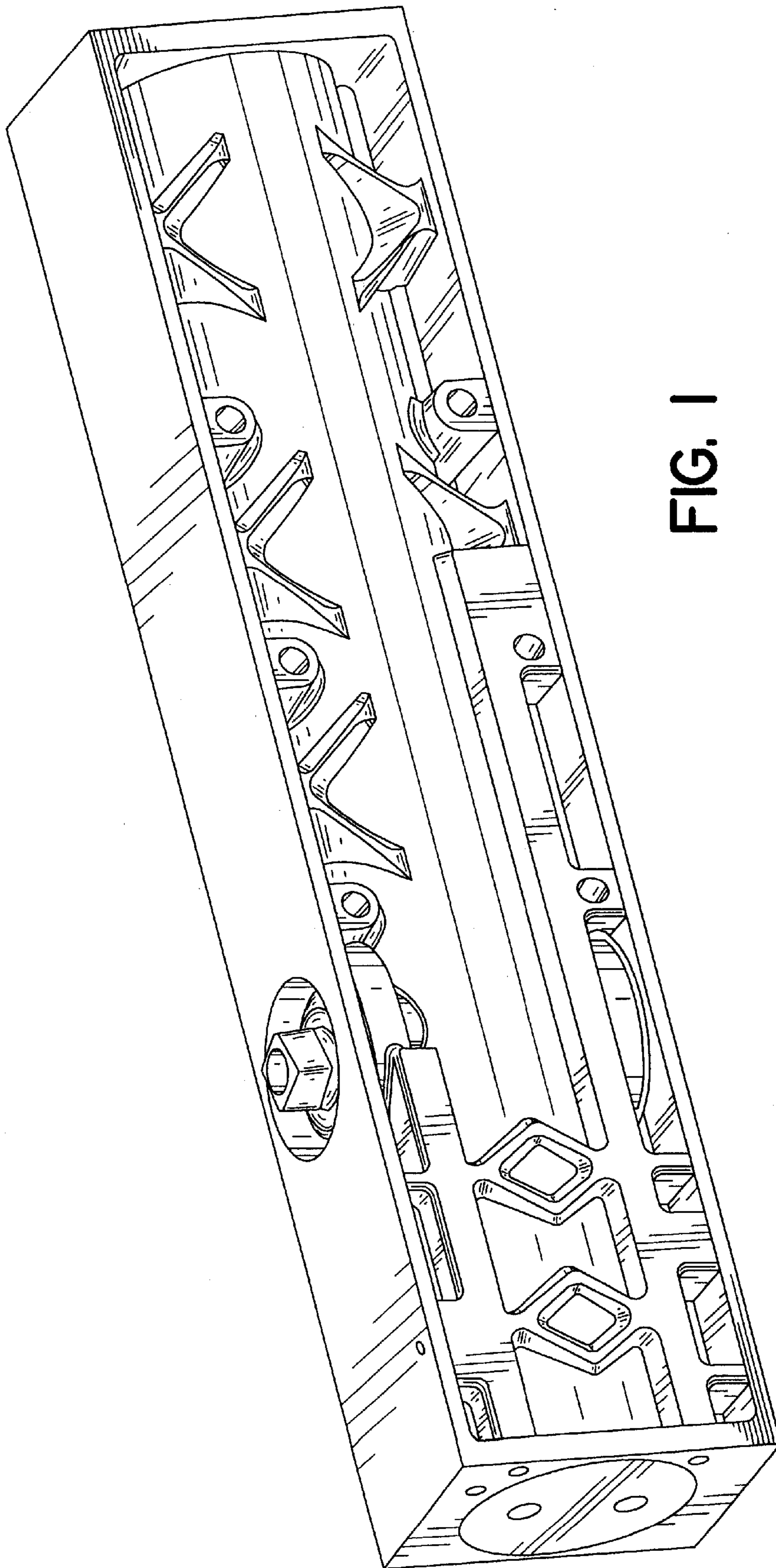


FIG. 1

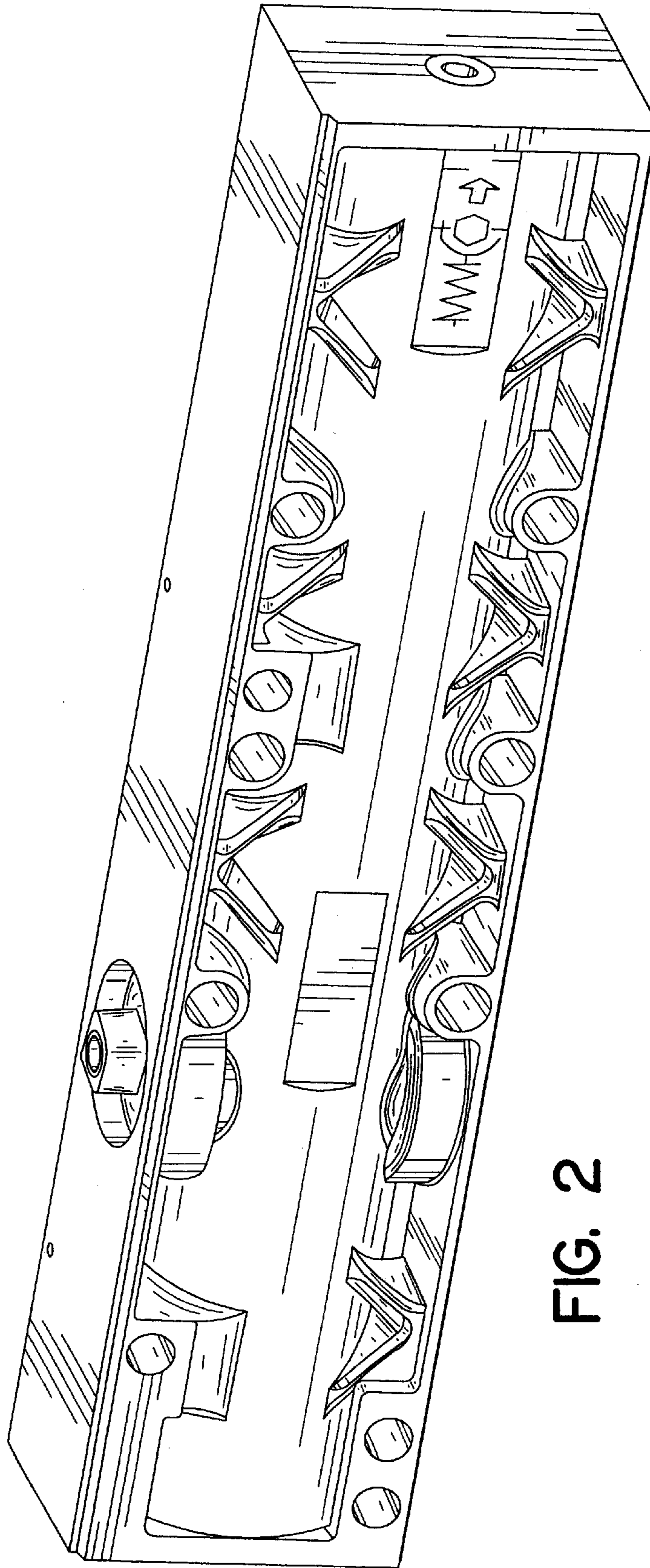


FIG. 2