



US00D479458S

(12) **United States Design Patent**  
**Masterson et al.**

(10) **Patent No.:** **US D479,458 S**

(45) **Date of Patent:** **\*\* Sep. 9, 2003**

(54) **WALLBOARD RASP TOOL**

D462,597 S \* 9/2002 Deshler ..... D8/90

(75) Inventors: **Jon A. Masterson**, Long Beach, CA (US); **Timothy J. Florio**, Huntington Beach, CA (US)

\* cited by examiner

*Primary Examiner*—Philip S. Hyder  
(74) *Attorney, Agent, or Firm*—Fulwider Patton Lee & Utecht, LLP

(73) Assignee: **Wallboard Tool Co., Inc.**, Long Beach, CA (US)

(57) **CLAIM**

(\*\*) Term: **14 Years**

The ornamental design for a wallboard rasp tool, substantially as shown.

(21) Appl. No.: **29/172,010**

**DESCRIPTION**

(22) Filed: **Dec. 4, 2002**

(51) **LOC (7) Cl.** ..... **08-05**

(52) **U.S. Cl.** ..... **D8/90; D8/101**

(58) **Field of Search** ..... D8/90, 91, 92, D8/93, 101; 407/29.1, 29.15; 451/523, 524, 525, 503, 512, 513, 514

FIG. 1 is a perspective view of a wallboard rasp tool showing my new design;  
FIG. 2 is a bottom view of such tool;  
FIG. 3 is an enlarged perspective view of the encircled area designated 3 in FIG. 2;  
FIG. 4 is a top plan view of such tool;  
FIG. 5 is a side elevational view of such tool, with the side opposite that shown being a mirror image of the side shown in FIG. 5;  
FIG. 6 is a front view of such tool, with a rear view of such tool being the same as that shown in FIG. 6; and,  
FIG. 7 is an enlarged view of the encircled area designated 7 in FIG. 5.

(56) **References Cited**

**U.S. PATENT DOCUMENTS**

- 3,089,294 A \* 5/1963 Cowley ..... 451/524
- 4,179,779 A \* 12/1979 Hayes ..... 409/345
- D310,012 S \* 8/1990 Henke et al. .... D8/90
- 5,168,672 A \* 12/1992 Gregoire, Sr. .... 451/502
- 6,261,031 B1 \* 7/2001 Stipe et al. .... 407/29.15

**1 Claim, 2 Drawing Sheets**

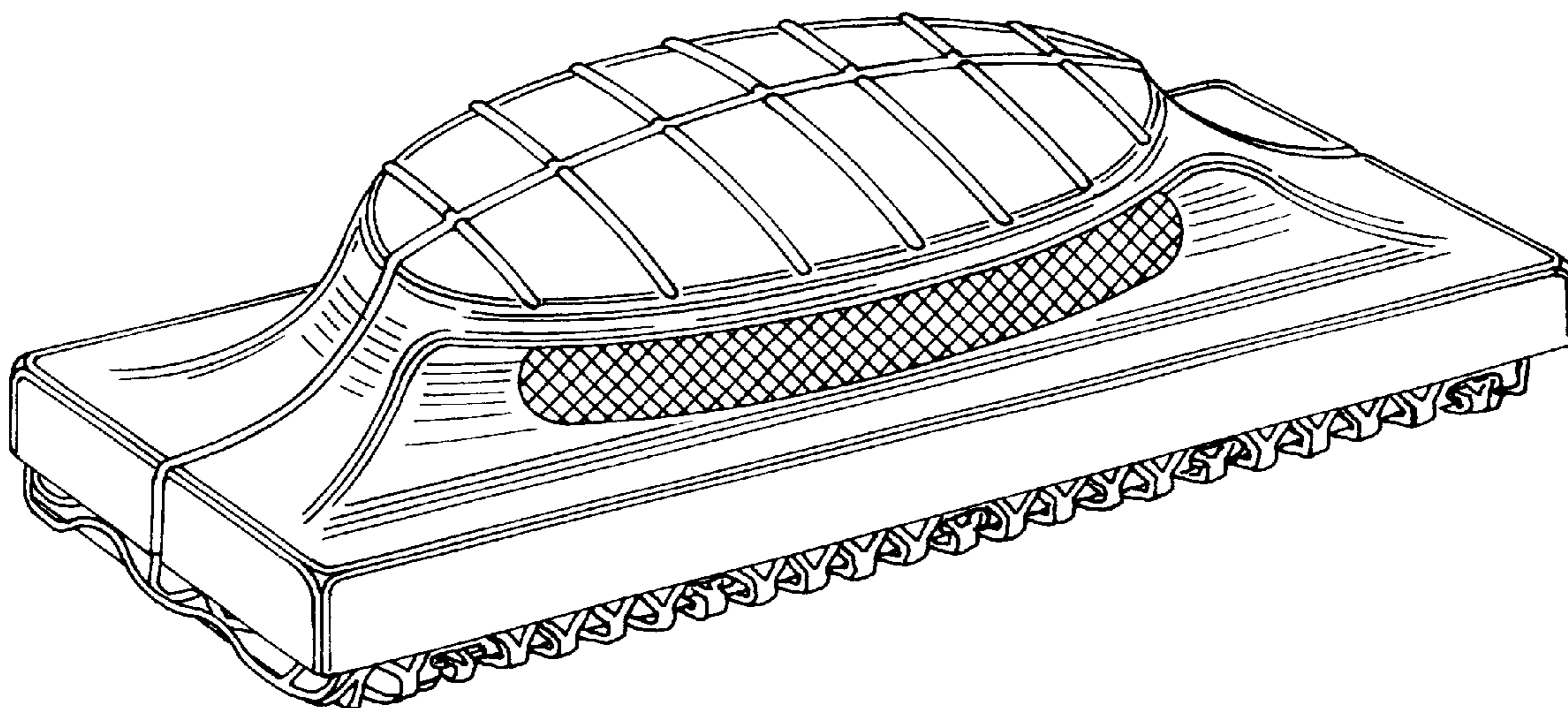


FIG. 1

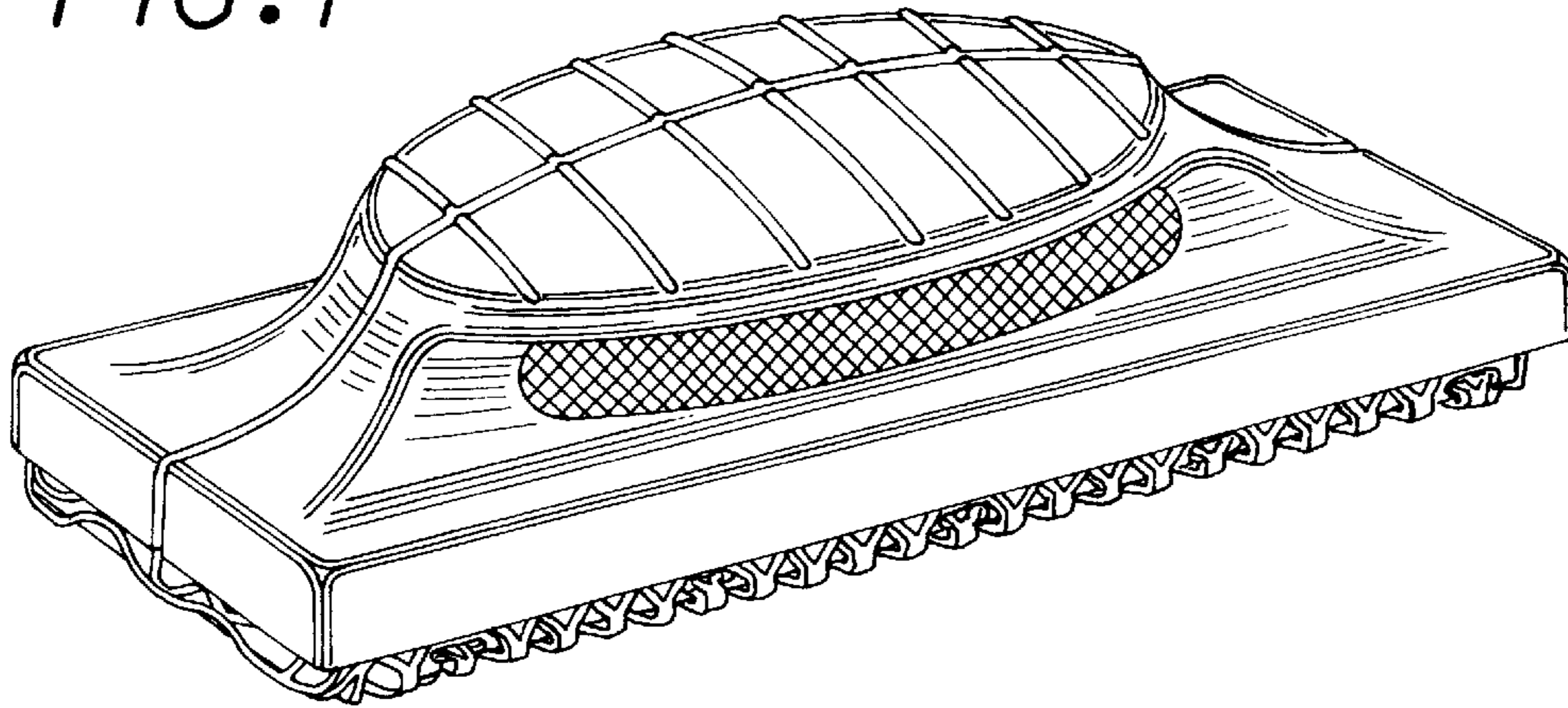
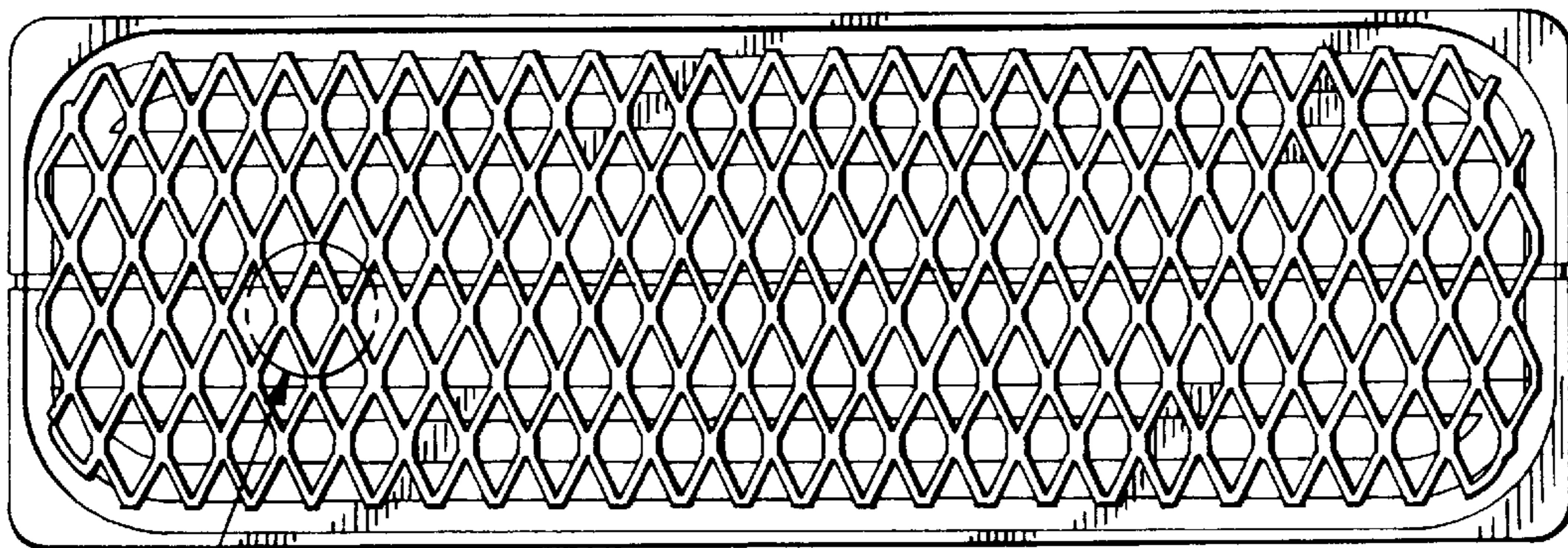


FIG. 2



3

FIG. 3

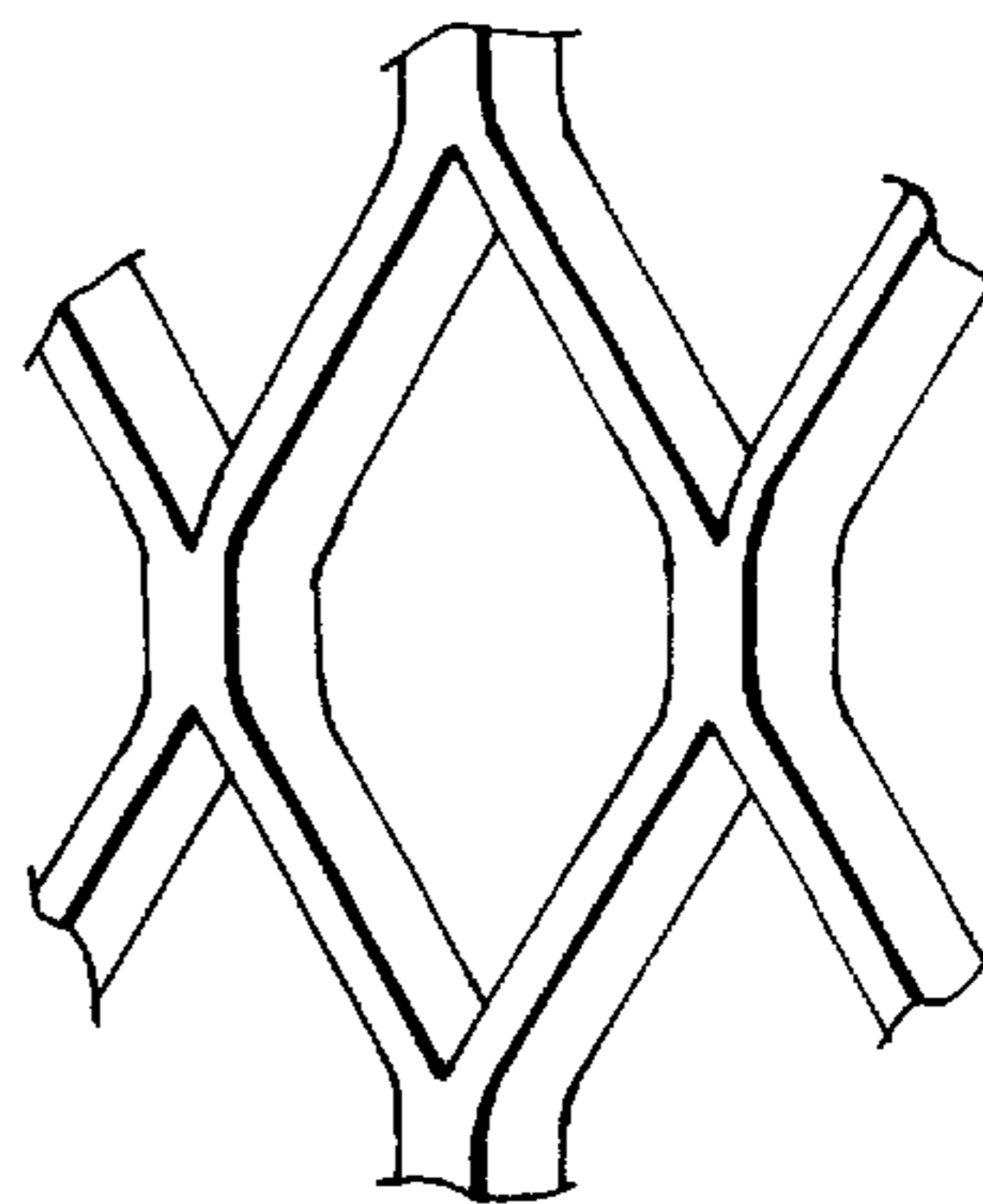


FIG. 4

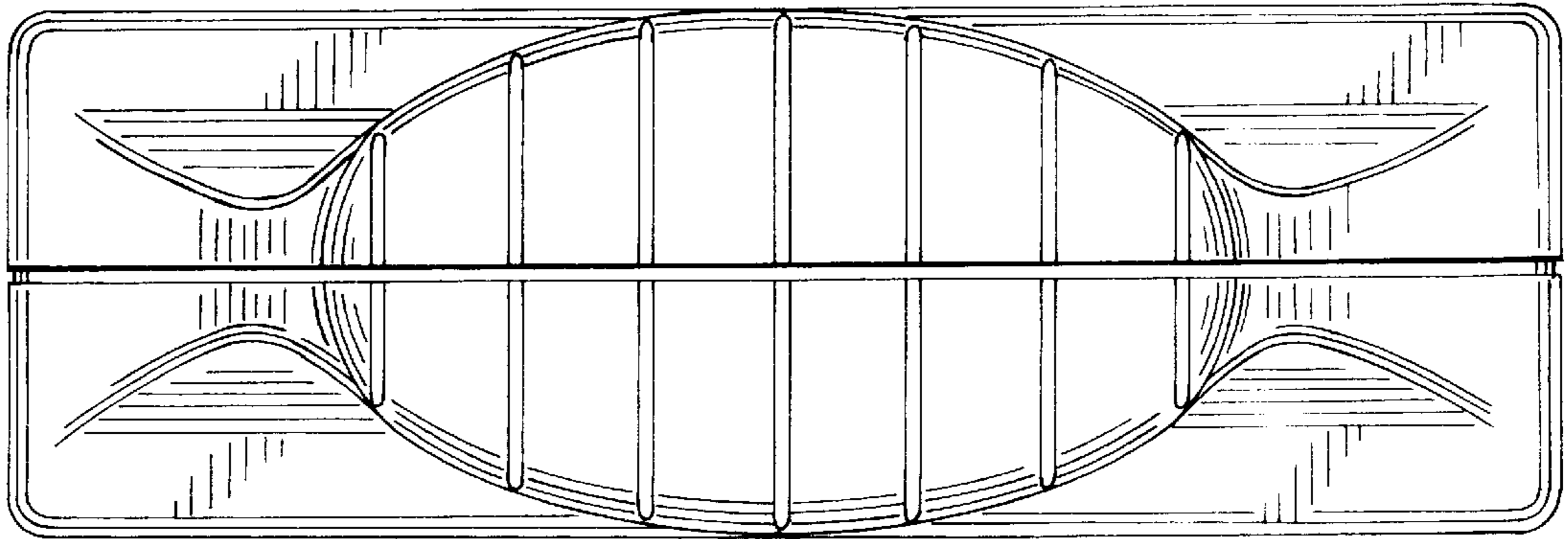


FIG. 5

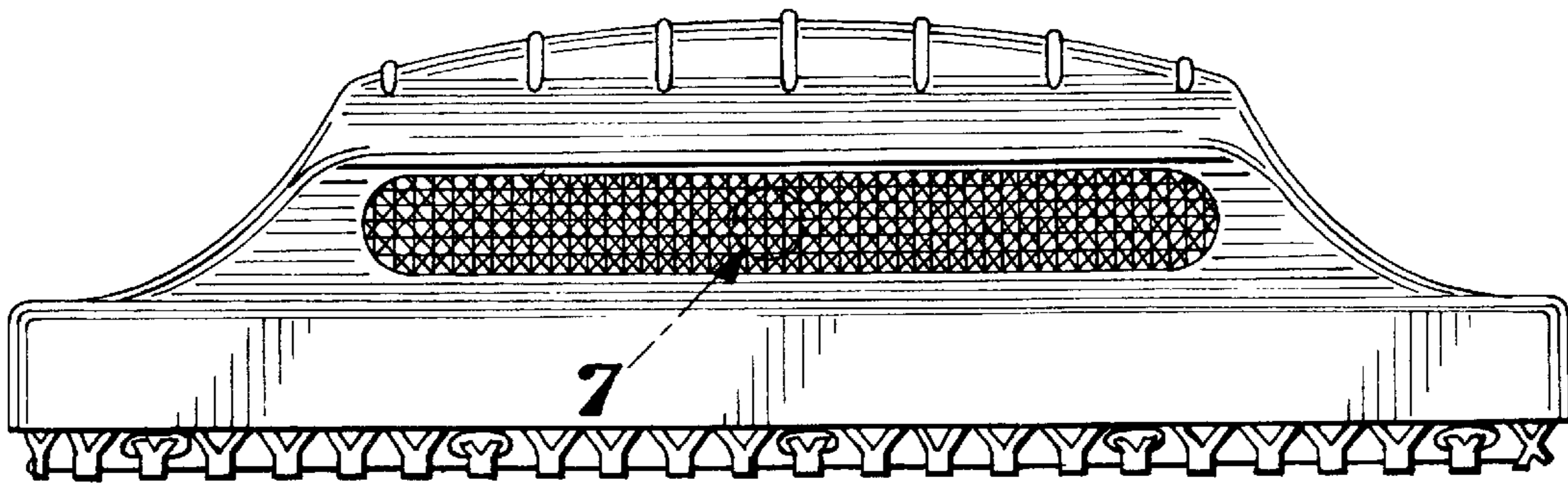


FIG. 6

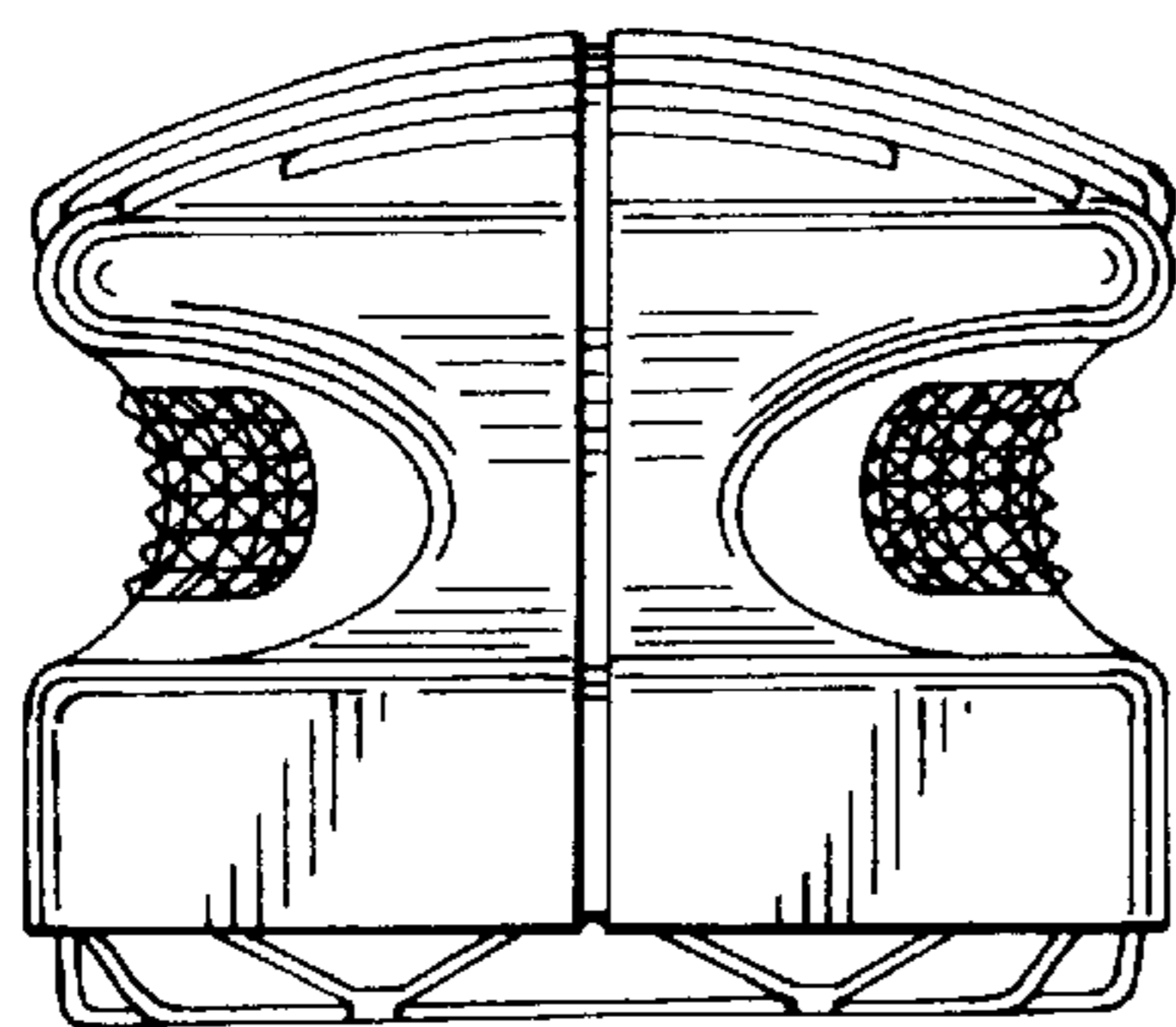


FIG. 7

