



US00D479457S

(12) **United States Design Patent**
Dollar et al.

(10) **Patent No.:** **US D479,457 S**

(45) **Date of Patent:** **** Sep. 9, 2003**

(54) **REVERSIBLE V GROOVE ROUND NOSE BIT**

6,193,242 B1 * 2/2001 Robison 279/143
D445,325 S * 7/2001 Fruhm D8/86
D462,596 S * 9/2002 Fruhm D8/86

(75) Inventors: **Tammy Elaine Dollar**, West Jefferson,
NC (US); **Robert William Yeager**,
Lansing, NC (US); **Robert Glenn Hall**,
Purlear, NC (US)

* cited by examiner

(73) Assignee: **Oldham Saw Company, Inc.**, West
Jefferson, NC (US)

Primary Examiner—Doris V. Coles
Assistant Examiner—T. Chase Nelson
(74) *Attorney, Agent, or Firm*—Sand & Sebolt

(**) Term: **14 Years**

(57) **CLAIM**

(21) Appl. No.: **29/159,752**

The ornamental design for a reversible V groove round nose
bit, as shown and described.

(22) Filed: **Apr. 25, 2002**

DESCRIPTION

Related U.S. Application Data

(62) Division of application No. 10/055,642, filed on Jan. 22,
2002.

FIG. 1 is a perspective view of a reversible V groove round
nose bit of the present invention

(51) **LOC (7) Cl.** **08-05**

FIG. 2 is a front view of the reversible V groove round nose
bit shown in FIG. 1.

(52) **U.S. Cl.** **D8/70**

(58) **Field of Search** D8/70, 85, 86;
D15/139, 140; 81/177.85, 436, 441, 901;
279/62, 143, 144, 145, 900, 902; 299/87.1,
106, 107, 109; 408/143, 144, 153, 223,
239 A; 407/30

FIG. 3 is a side view of the reversible V groove round nose
bit shown in FIG. 1.

FIG. 4 is a top view of the reversible V groove round nose
bit shown in FIG. 1; and,

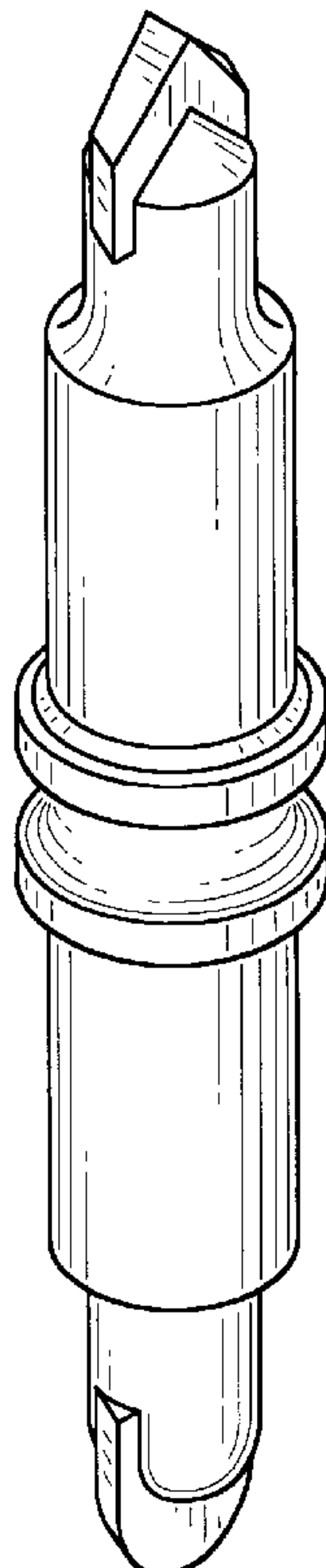
FIG. 5 is a bottom view of the reversible V groove round
nose bit shown in FIG. 1.

(56) **References Cited**

U.S. PATENT DOCUMENTS

D350,685 S * 9/1994 Perkins et al. D8/86

1 Claim, 1 Drawing Sheet



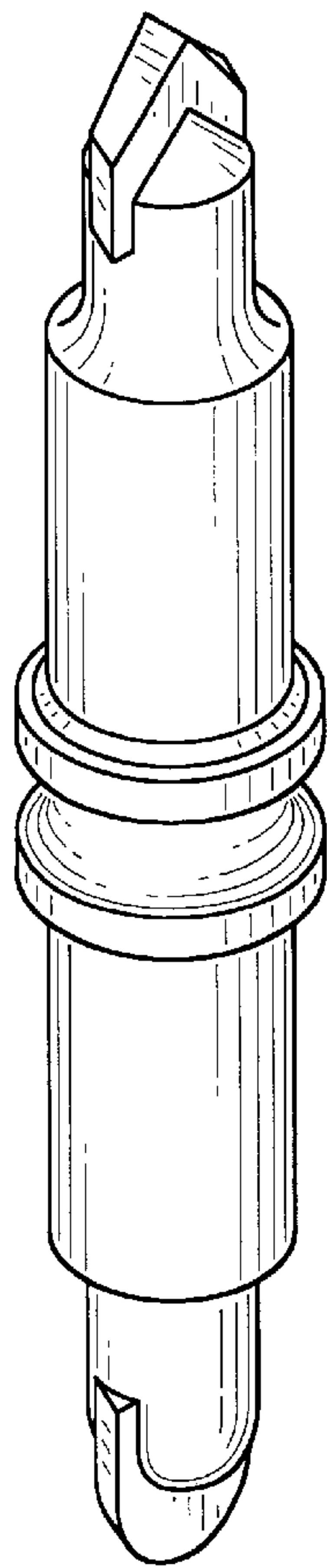


FIG-1

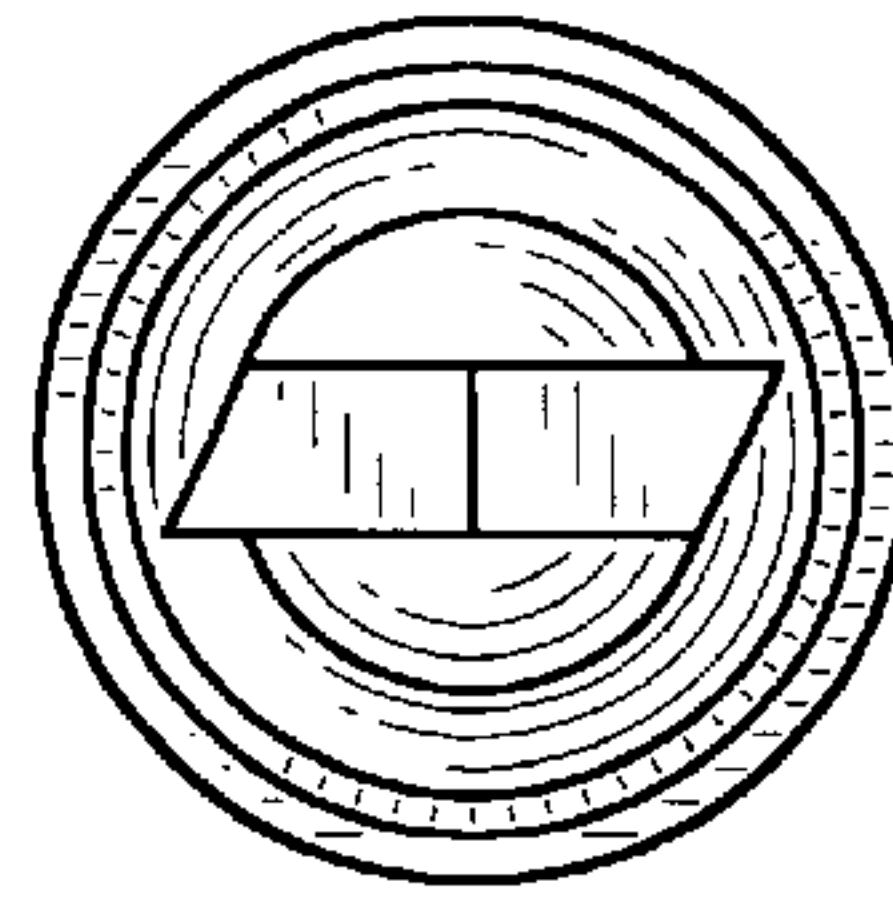


FIG-4

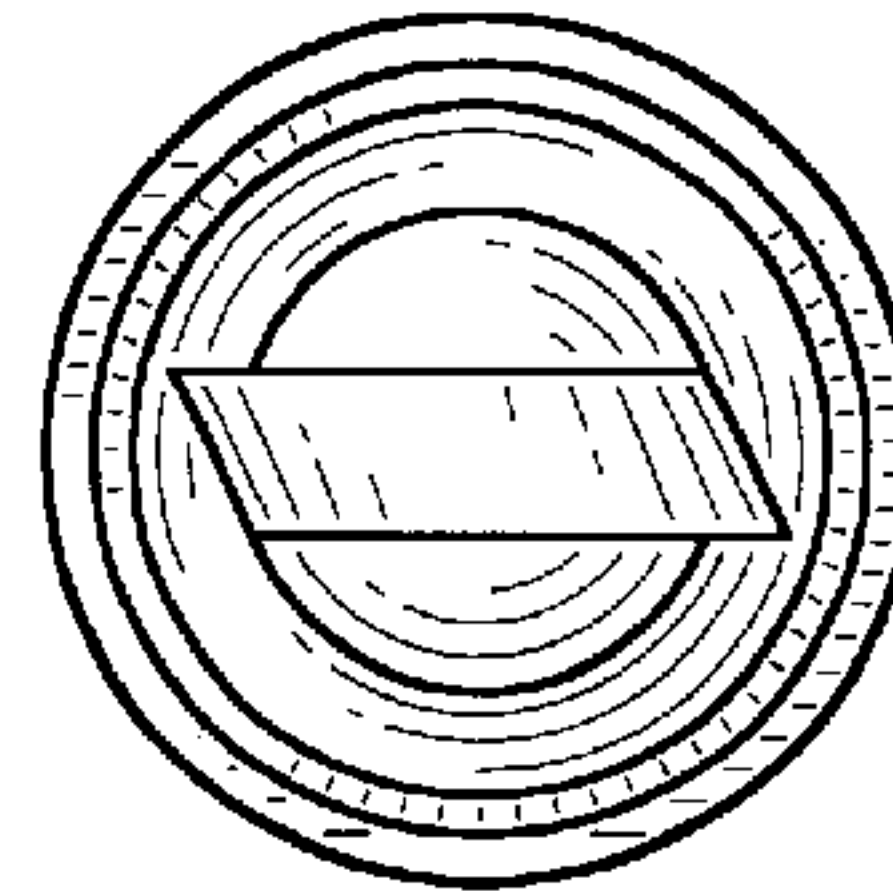


FIG-5

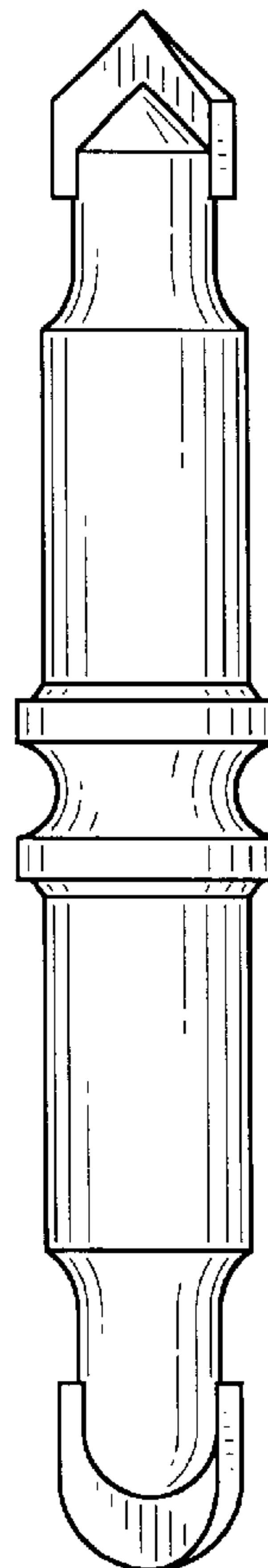


FIG-2

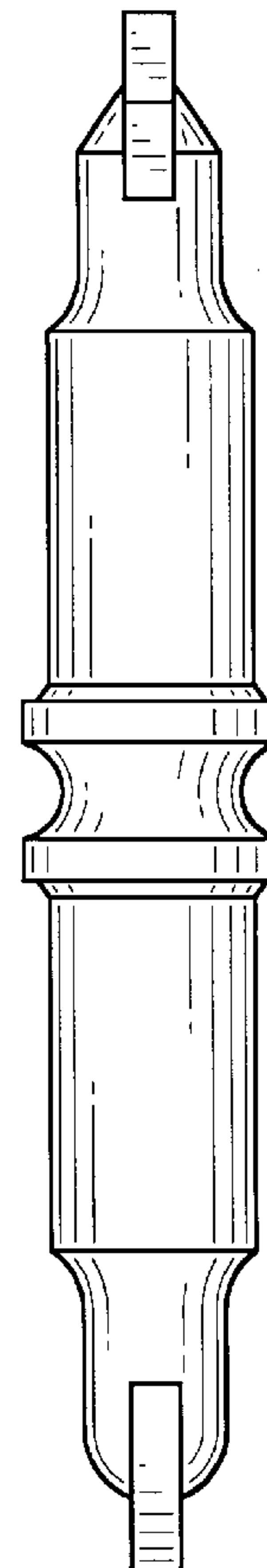


FIG-3