



US00D479456S

(12) **United States Design Patent**
Murray et al.

(10) **Patent No.:** **US D479,456 S**

(45) **Date of Patent:** **** Sep. 9, 2003**

(54) **DRILL**

(75) Inventors: **Christopher J. Murray**, Baltimore, MD (US); **James B. Watson**, Fallston, MD (US); **Weston J. Van Wambeke**, Cockeysville, MD (US)

(73) Assignee: **Black & Decker Inc.**, Newark, DE (US)

(**) Term: **14 Years**

(21) Appl. No.: **29/163,235**

(22) Filed: **Jun. 26, 2002**

(51) **LOC (7) Cl.** **08-01**

(52) **U.S. Cl.** **D8/68**

(58) **Field of Search** D8/61, 62, 63, D8/64, 65, 66, 67, 68, 69, 70, 57.11, 429, 464, 465, 466, 469, 489; 173/13, 169, 178, 213, 217; 227/8, 114, 120, 130, 136, 142; 310/50; 408/20, 124, 125, 234, 241 R; 451/358

(56) **References Cited**

U.S. PATENT DOCUMENTS

D300,502 S	4/1989	Schultz
D300,503 S	4/1989	Schultz
D300,717 S	4/1989	Hasegawa et al.
D303,347 S	9/1989	Somers
D313,391 S	1/1991	Pudwill
D314,498 S	2/1991	Hoshino et al.
D314,698 S	2/1991	Zurwelle
D315,282 S	3/1991	Schmidt et al.
4,998,589 A	3/1991	Wiesendanger
D316,021 S	4/1991	Bunyea
5,083,620 A	1/1992	Fushiya et al.
D332,208 S	1/1993	Sakamoto et al.
D334,012 S	3/1993	Chen
D339,727 S	9/1993	Kikuchi
D340,394 S	10/1993	Okumura
D342,479 S	12/1993	Kimata
D359,215 S	6/1995	Zurwelle
D362,167 S	9/1995	Zurwelle
D368,009 S	3/1996	Zurwelle

D368,067 S	3/1996	Okumura	
D368,214 S	3/1996	Zurwelle	
D377,442 S	1/1997	Kikuchi	
D378,268 S	3/1997	Schultz	
D382,457 S	* 8/1997	Ghode et al. D8/68
D384,639 S	10/1997	Kawakami et al.	
D386,662 S	* 11/1997	Tozawa et al. D8/68

(List continued on next page.)

OTHER PUBLICATIONS

Drill/drivers pp. 8–9, DeWalt Tool catalogue, c. 1998.*
 Porter–Cable’s Grip–To–Fit Cordless Drill Drivers on
 www.amazon.com/gifts, Jan. 9, 2003.
 Photo of Makita drill Jan. 9, 2003.
 Photo of DeWalt drill Jan. 9, 2003.
 Black & Decker; “Twice the Heat” Fire Storm High Perfor-
 mance Cordless Tools; Form No. LCPC99, 1999.
 DeWALT High Performance Industrial Tools & Accessories;
 Form No. LDWMC00 (Rev. 9/00).
 DeWALT High Performance Industrial Tools & Accessories;
 1995 Power Tools & Accessories Catalog; Form No.
 LDWC95.
 DeWALT High Performance Industrial Tools & Accessories;
 1996 Power Tools & Accessories Catalog; Form No.
 LDWC96.

Primary Examiner—Doris V. Coles
Assistant Examiner—T. Chase Nelson
 (74) *Attorney, Agent, or Firm*—Harness, Dickey & Pierce,
 P.L.C.

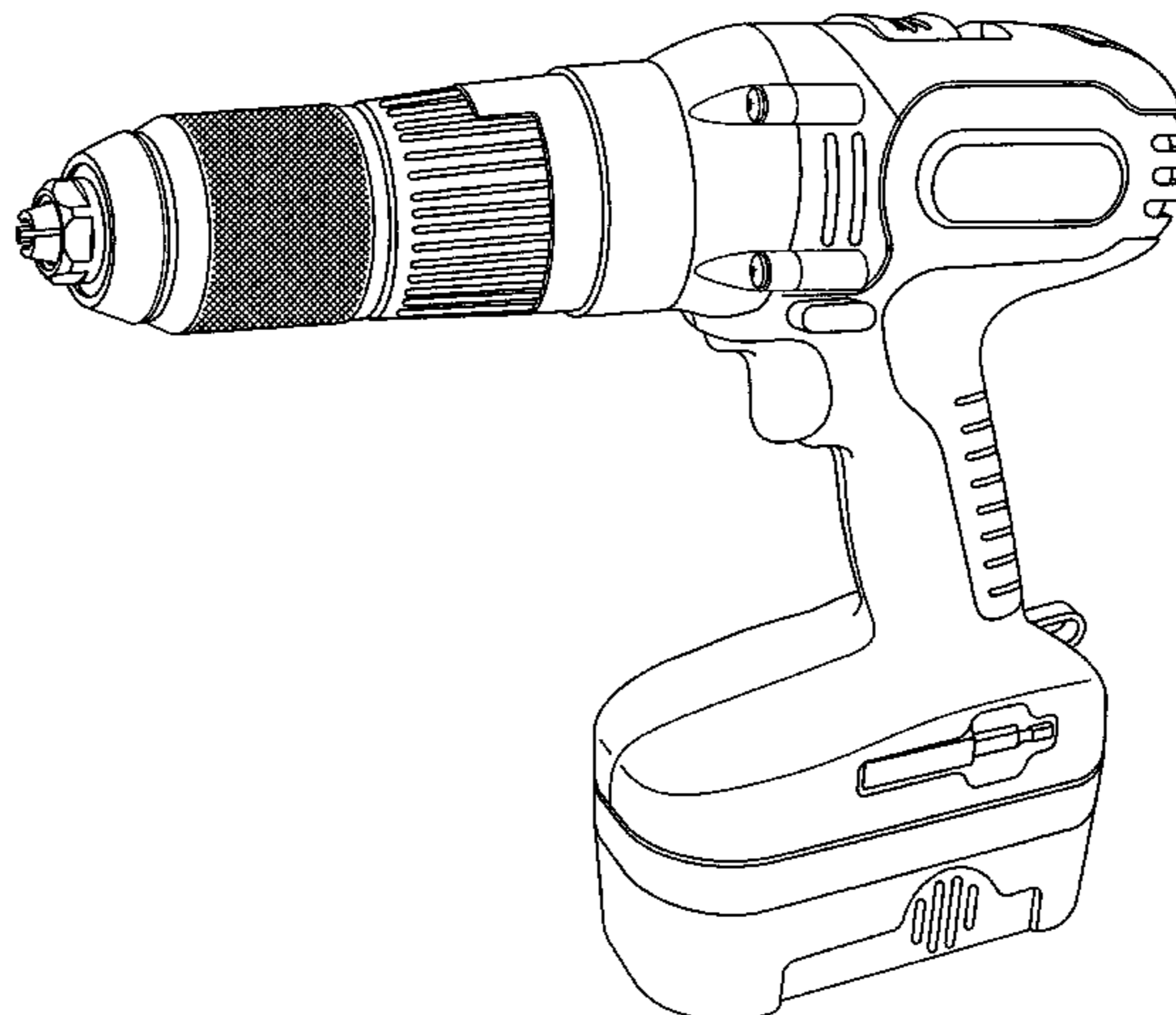
(57) **CLAIM**

The ornamental design for a drill, as shown and described.

DESCRIPTION

FIG. 1 is a left side elevational view of a drill showing our design.
 FIG. 2 is a front perspective view thereof.
 FIG. 3 is a rear perspective view thereof;
 FIG. 4 is a front elevational view thereof.
 FIG. 5 is a rear elevational view thereof; and,
 FIG. 6 is a top plan view thereof.

1 Claim, 6 Drawing Sheets



US D479,456 S

Page 2

U.S. PATENT DOCUMENTS

D387,728 S	12/1997	Kawakami et al.		
D392,530 S	3/1998	Lui		
D402,871 S	* 12/1998	Clowers et al.	D8/68	
D412,485 S	8/1999	Kato et al.		
D417,648 S	12/1999	Clowers et al.		
D419,413 S	* 1/2000	Heun	D8/68	
D420,879 S	2/2000	Watson et al.		
D421,883 S	* 3/2000	Watson et al.	D8/68	
D428,320 S	* 7/2000	Ohi et al.	D8/68	
D432,077 S	10/2000	Zurwelle et al.		
D435,013 S	12/2000	Clowers et al.		
D435,414 S	* 12/2000	Etter et al.	D8/68	
D436,511 S	* 1/2001	Hayakawa et al.	D8/68	
D437,759 S	* 2/2001	Breit et al.	D8/68	
D440,850 S	4/2001	Ozawa et al.		
6,308,378 B1	* 10/2001	Mooty et al.	81/489	
D460,674 S	* 7/2002	Heun	D8/68	
D466,777 S	* 12/2002	Watson	D8/68	
D467,147 S	* 12/2002	Watson	D8/68	

* cited by examiner

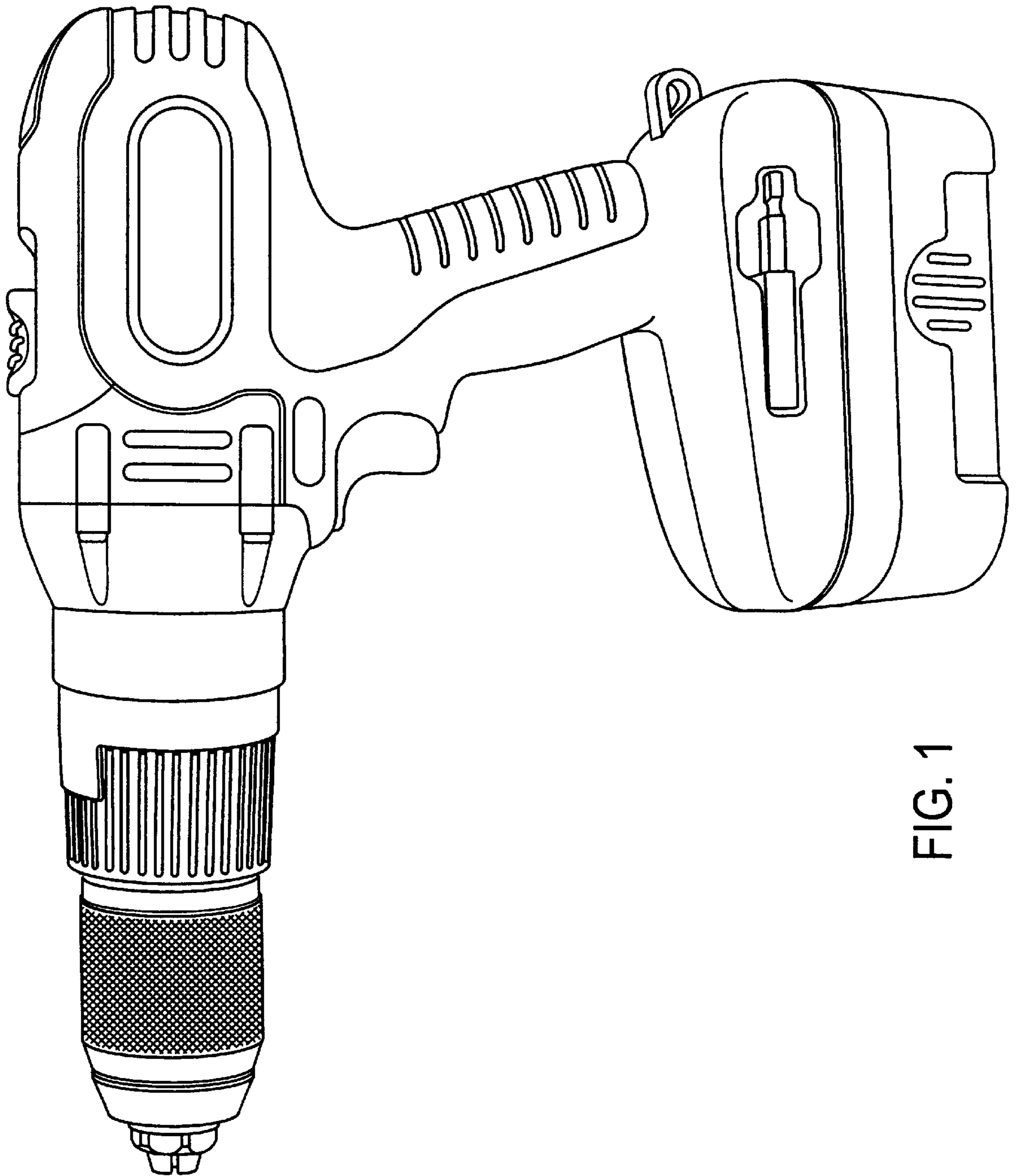


FIG. 1

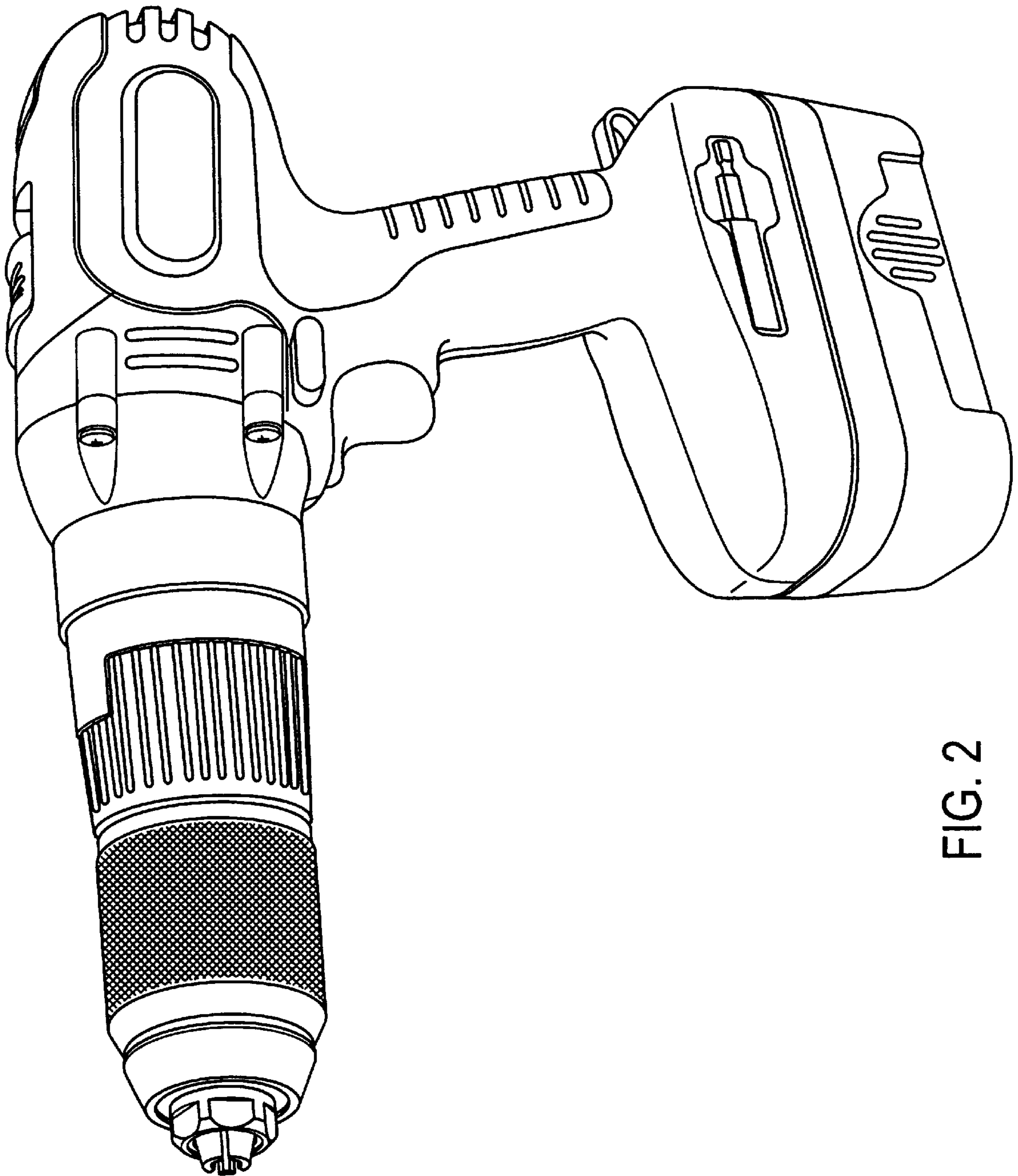


FIG. 2

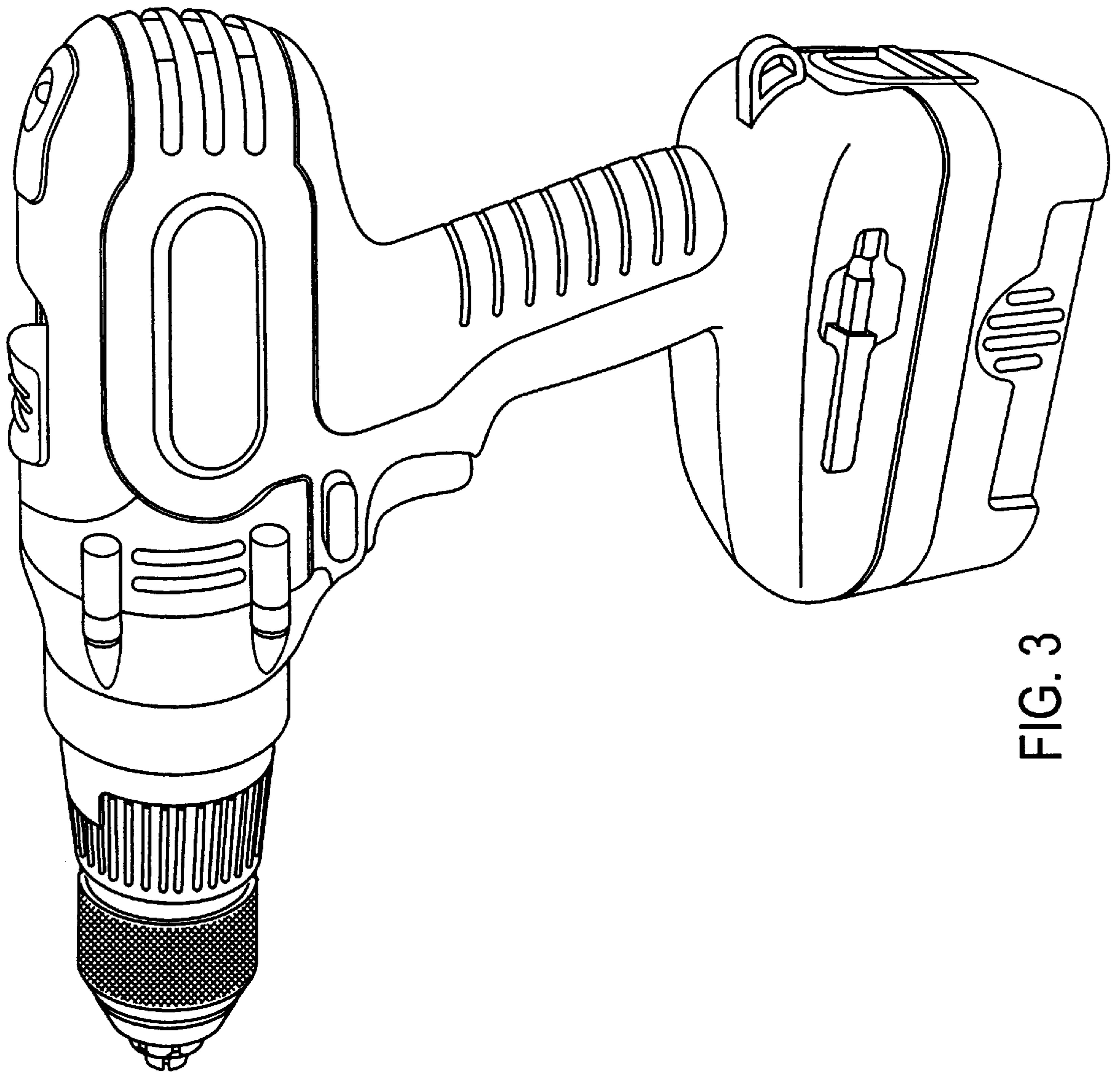


FIG. 3

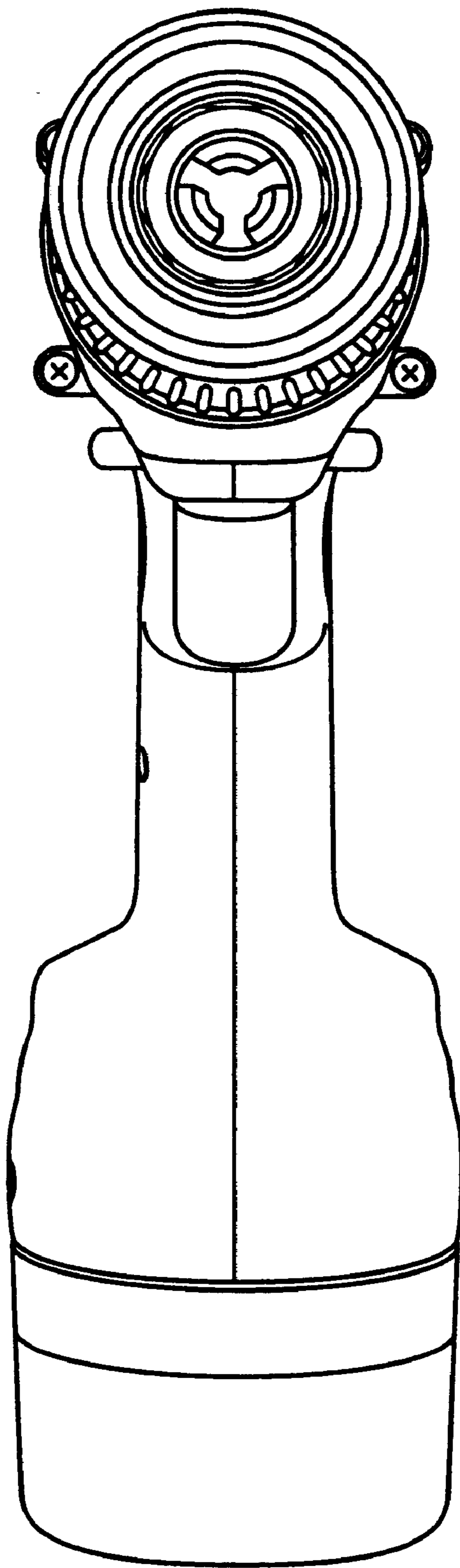


FIG. 4

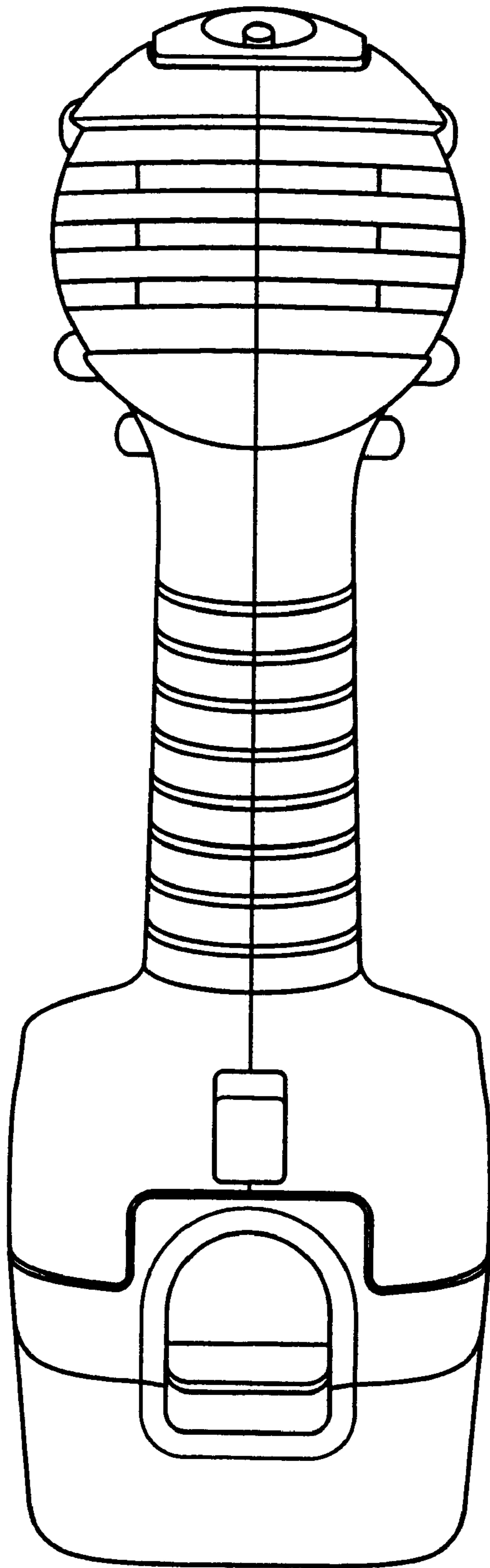


FIG. 5

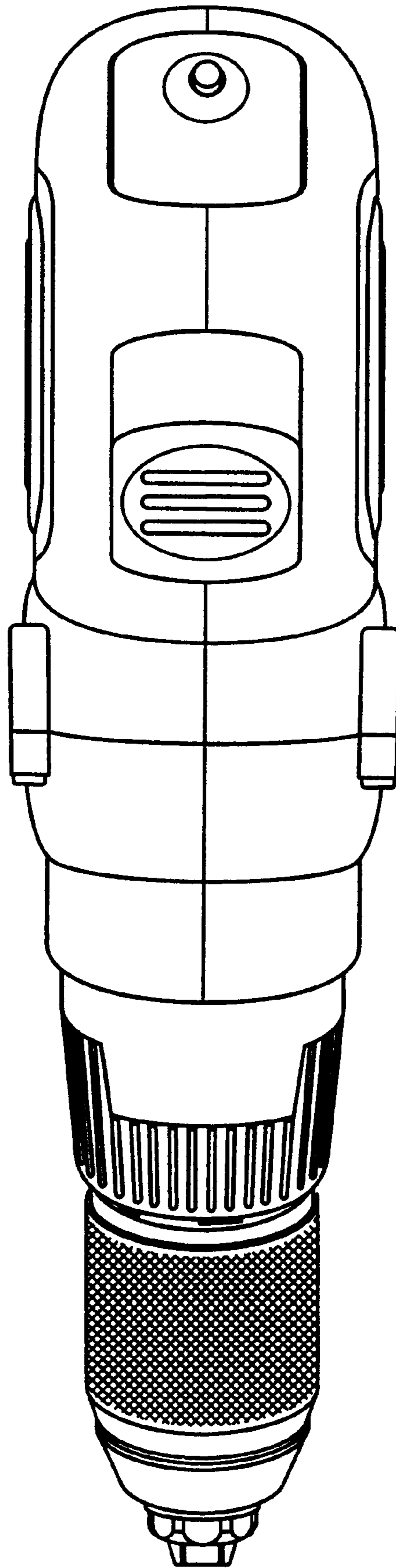


FIG. 6