



US00D479455S

(12) **United States Design Patent**
Waldron

(10) **Patent No.: US D479,455 S**

(45) **Date of Patent: ** Sep. 9, 2003**

(54) **DRILL WITH PIVOTABLE DRILL HEAD**

DE	M8801542	2/1989
DE	M9007157	9/1991
DE	M9105473	3/1992
DE	M9106921	3/1992
DE	M9107658	5/1992

(75) Inventor: **Michael Waldron**, Chester-le-Street (GB)

(73) Assignee: **Black & Decker Inc.**, Newark, DE (US)

(List continued on next page.)

(**) Term: **14 Years**

Primary Examiner—Doris V. Coles

Assistant Examiner—T. Chase Nelson

(21) Appl. No.: **29/161,178**

(74) *Attorney, Agent, or Firm*—Bruce S. Shapiro; Michael P. Leary

(22) Filed: **May 22, 2002**

(30) **Foreign Application Priority Data**

Dec. 22, 2001 (GB) 3000301

(51) **LOC (7) Cl.** **08-01**

(52) **U.S. Cl.** **D8/68**

(58) **Field of Search** D8/61, 62, 63, D8/64, 65, 66, 67, 68, 69, 70; 81/57.11, 429, 464, 465, 466, 469, 489; 173/13, 169, 178, 213, 217; 227/8, 114, 120, 130, 136, 142; 310/50; 408/20, 124, 125, 234, 241 R; 451/358

(57) **CLAIM**

The ornamental design for a drill with pivotable drill head, as shown and described.

DESCRIPTION

FIG. 1 is a left front perspective view of a drill with pivotable drill head showing my new design.

FIG. 2 is a right front perspective view of FIG. 1

FIG. 3 is a rear perspective view of FIG. 1.

FIG. 4 is a left side elevational view of FIG. 1.

FIG. 5 is a right side elevational view of FIG. 1.

FIG. 6 is a front elevational view of FIG. 1.

FIG. 7 is a rear elevational view of FIG. 1.

FIG. 8 is a top plan view of FIG. 1.

FIG. 9 is a bottom plan view of FIG. 1.

FIG. 10 is a front perspective view in which the head is pivoted 135°.

FIG. 11 is a left side elevational view of FIG. 10.

FIG. 12 is a front perspective view in which the head is pivoted 180°.

FIG. 13 is a left side elevational view of FIG. 12.

FIG. 14 is a front perspective view in which the head is pivoted 135° to rear of handle.

FIG. 15 is a left side elevational view of FIG. 14.

FIG. 16 is a front perspective view in which the head is pivoted 90° to rear of handle; and,

FIG. 17 is a left side elevational view of FIG. 16.

(56) **References Cited**

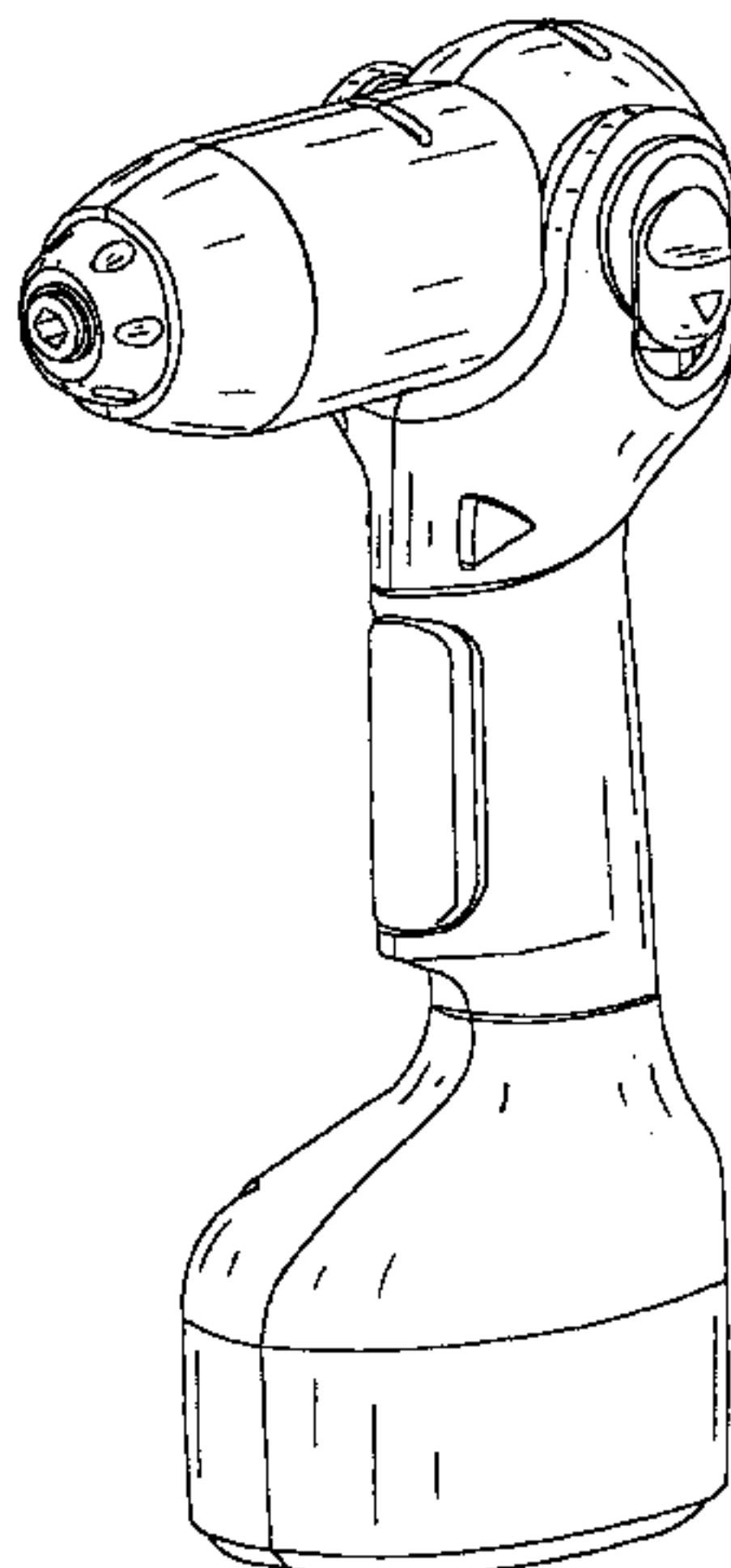
U.S. PATENT DOCUMENTS

D269,846 S *	7/1983	Izumisawa	D8/68
D377,303 S *	1/1997	Nagel	D8/68
D414,093 S *	9/1999	Zurwelle	D8/61
6,102,632 A *	8/2000	Potter et al.	173/217
D437,761 S	2/2001	Okumura et al.	D8/68
D440,850 S	4/2001	Ozawa et al.	D8/68
D443,491 S	6/2001	Robson	D8/61
D444,363 S	7/2001	Hayakawa et al.	D8/61
D445,011 S	7/2001	Schneider et al.	D8/61
D446,704 S	8/2001	Shibata et al.	D8/68
D447,924 S	9/2001	Neitzell et al.	D8/64
6,296,427 B1 *	10/2001	Potter et al.	173/217
6,461,088 B2 *	10/2002	Potter et al.	173/217
6,488,451 B1 *	12/2002	Hartman	408/124

FOREIGN PATENT DOCUMENTS

BX 33010 1/2001

1 Claim, 15 Drawing Sheets



US D479,455 S

Page 2

U.S. PATENT DOCUMENTS					
			DE	M9703272	9/1997
			DE	M9703311	10/1997
DE	M9202349	10/1992	DE	M9804390	1/1999
DE	M9205475	1/1993	DE	MR49902803	10/1999
DE	M9206896	5/1993	DE	MR49911374	5/2000
DE	M9305223	12/1993	DE	MR49912214	5/2000
DE	M9306432	2/1994	DE	MR40004019	8/2000
DE	M9307636	2/1994	DE	MR40003708	9/2000
DE	M9306430	3/1994	DE	DM/053595	10/2000
DE	M9505672	3/1996	DE	M40006861	11/2000
DE	M9507044	7/1996	DE	MR49907725	4/2001
DE	M9600027	10/1996	DE	M40101119	6/2001
DE	M9602972	12/1996	FR	012619	5/2001
DE	M9604701	4/1997			
DE	DM/041094	8/1997			

* cited by examiner

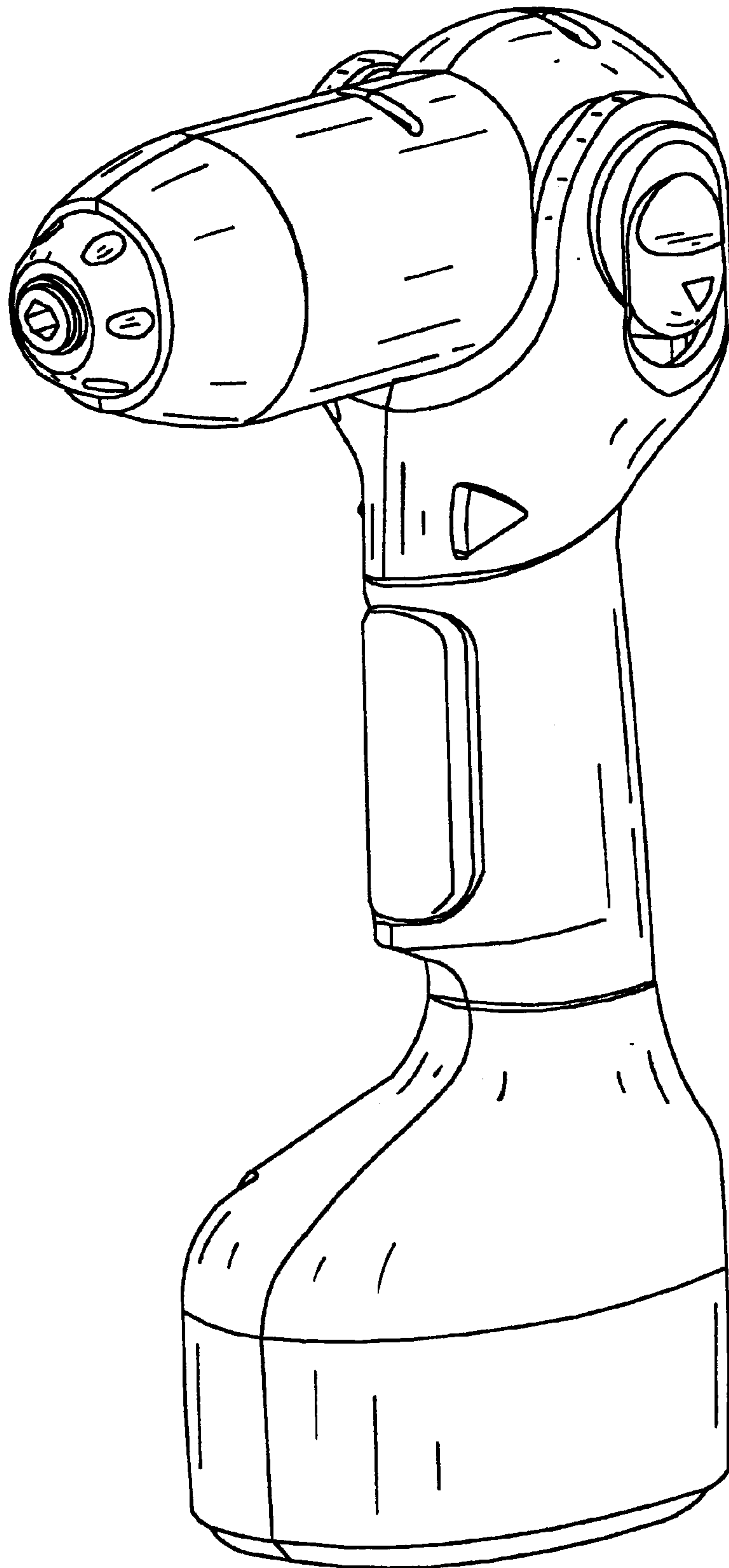


FIG. 1

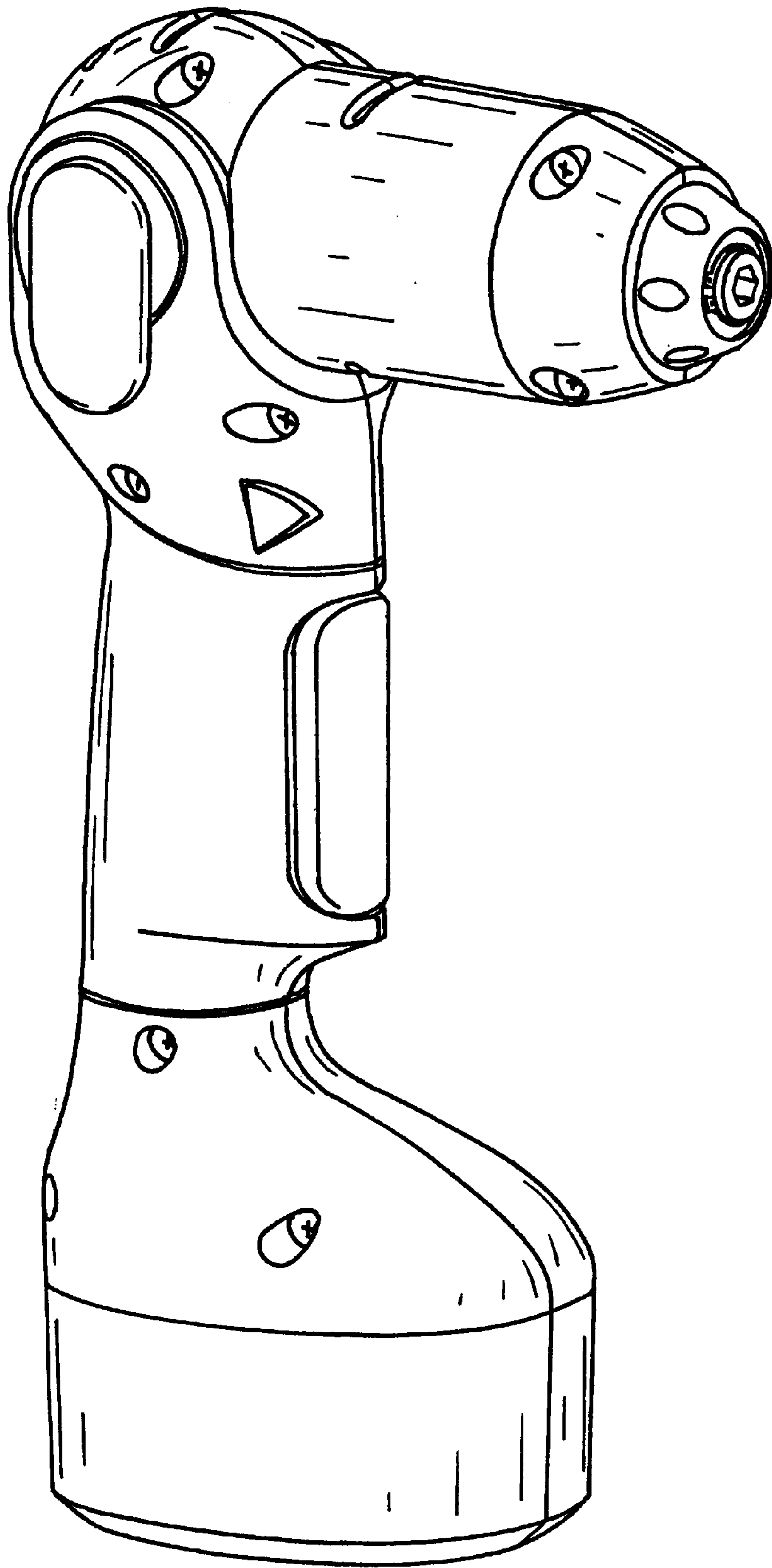


FIG. 2

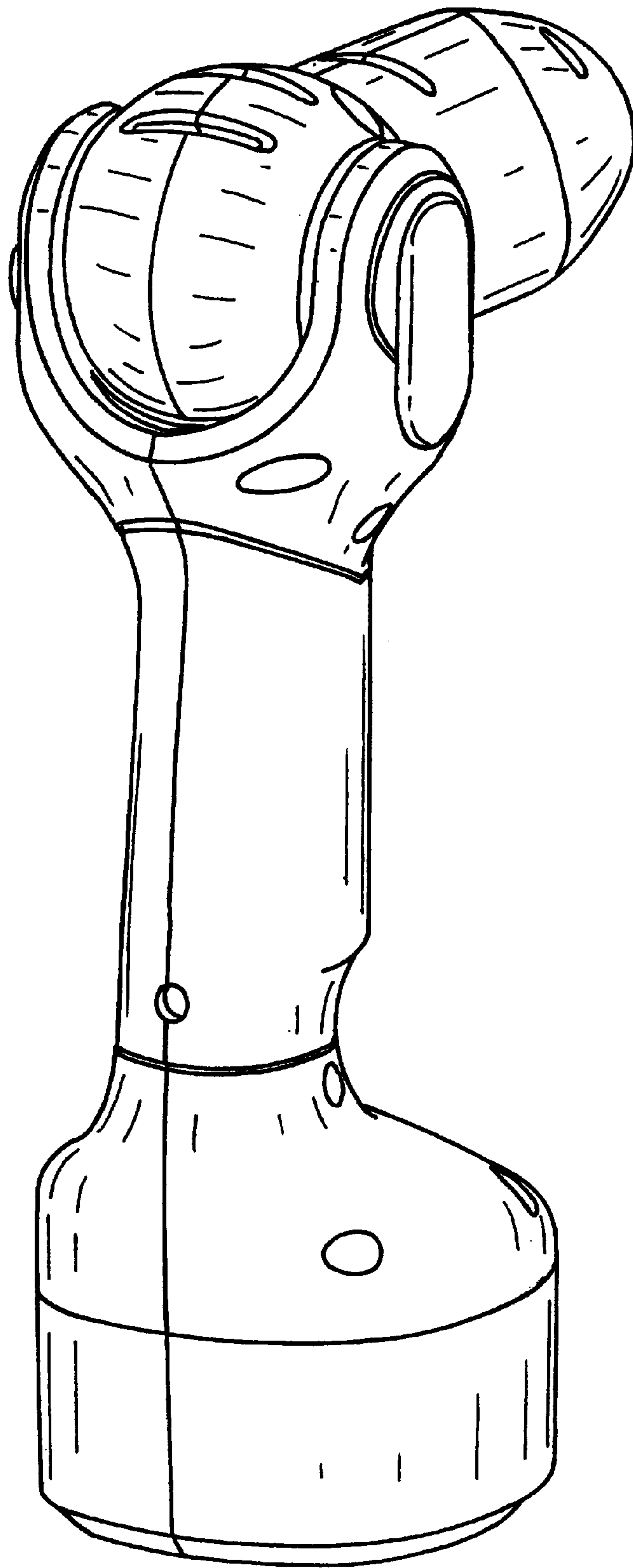


FIG. 3

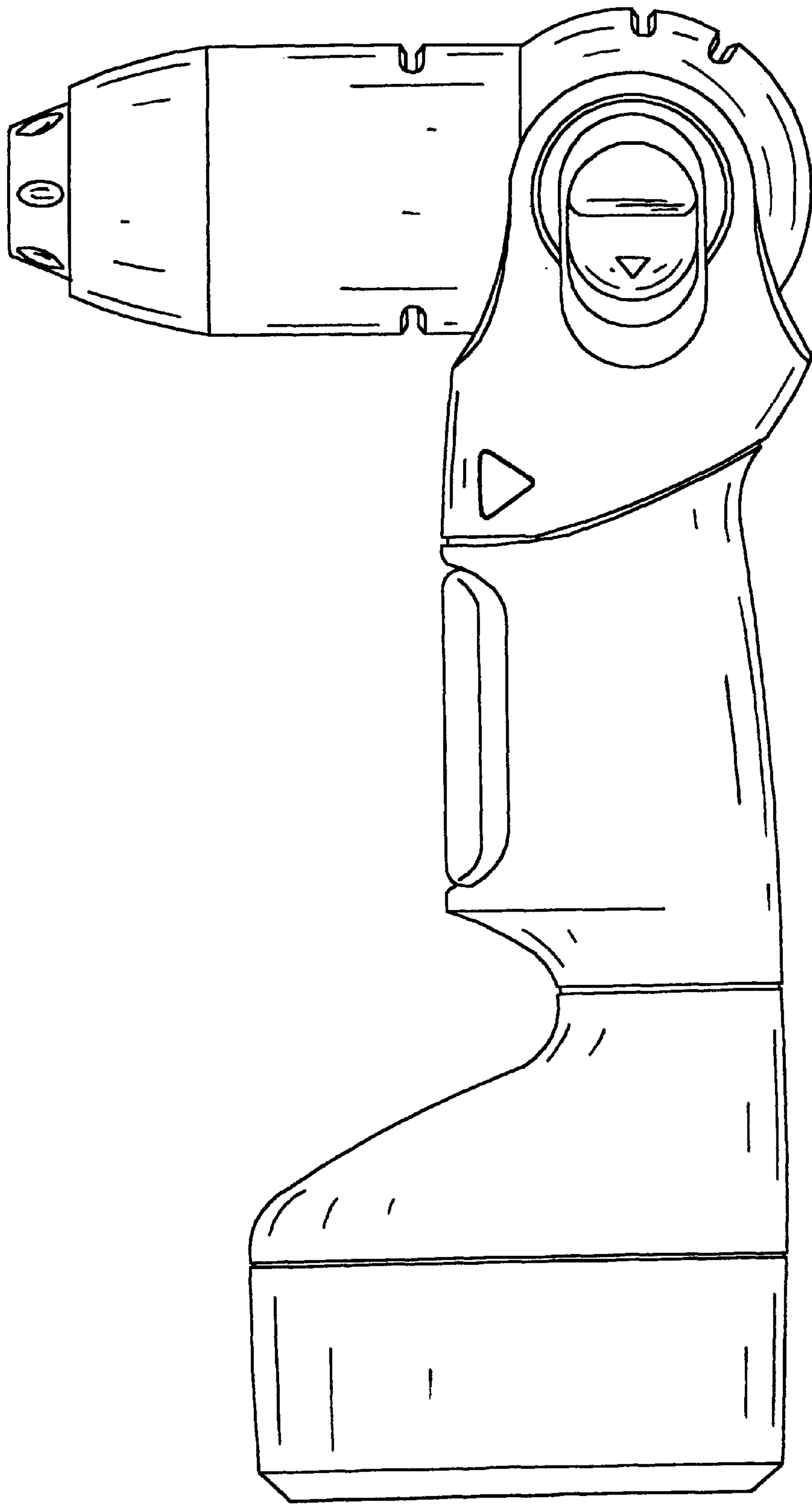


FIG. 4

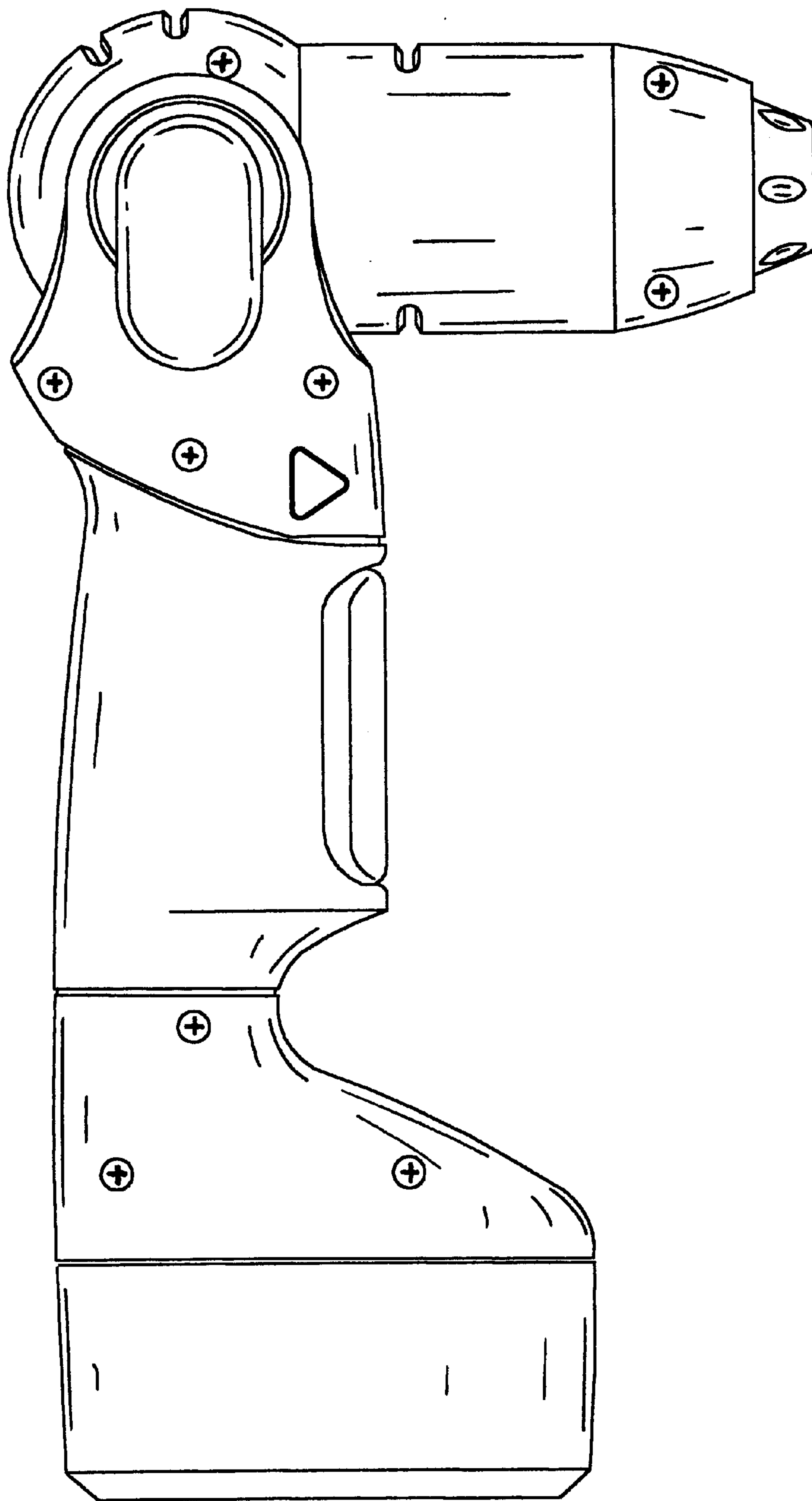


FIG. 5

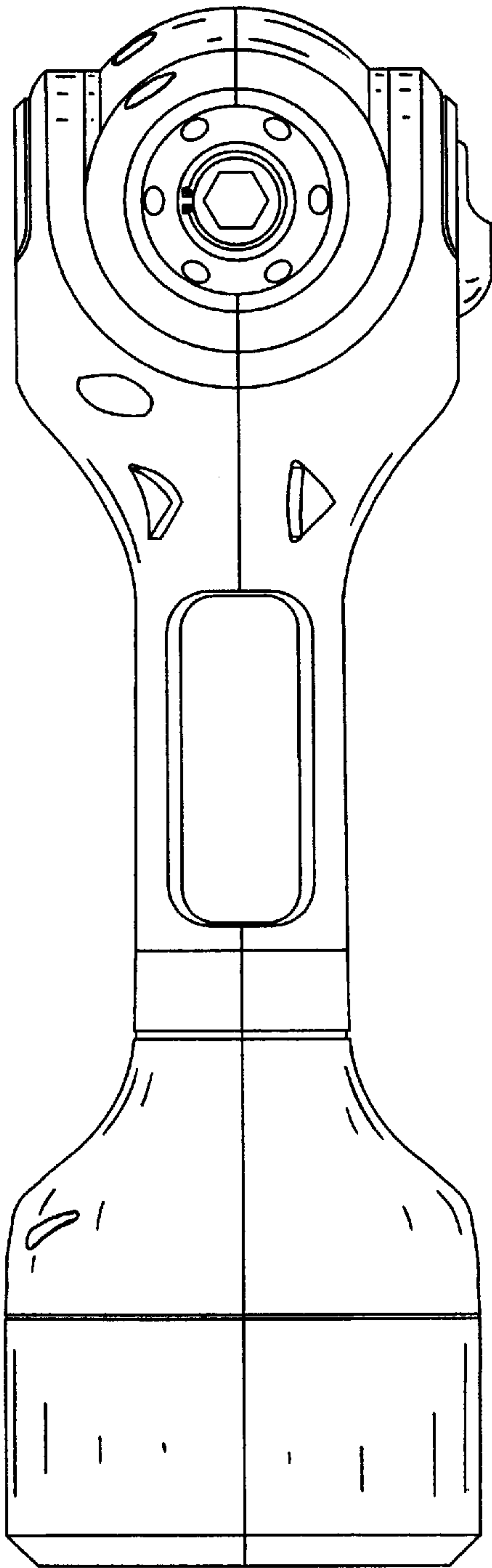


FIG. 6

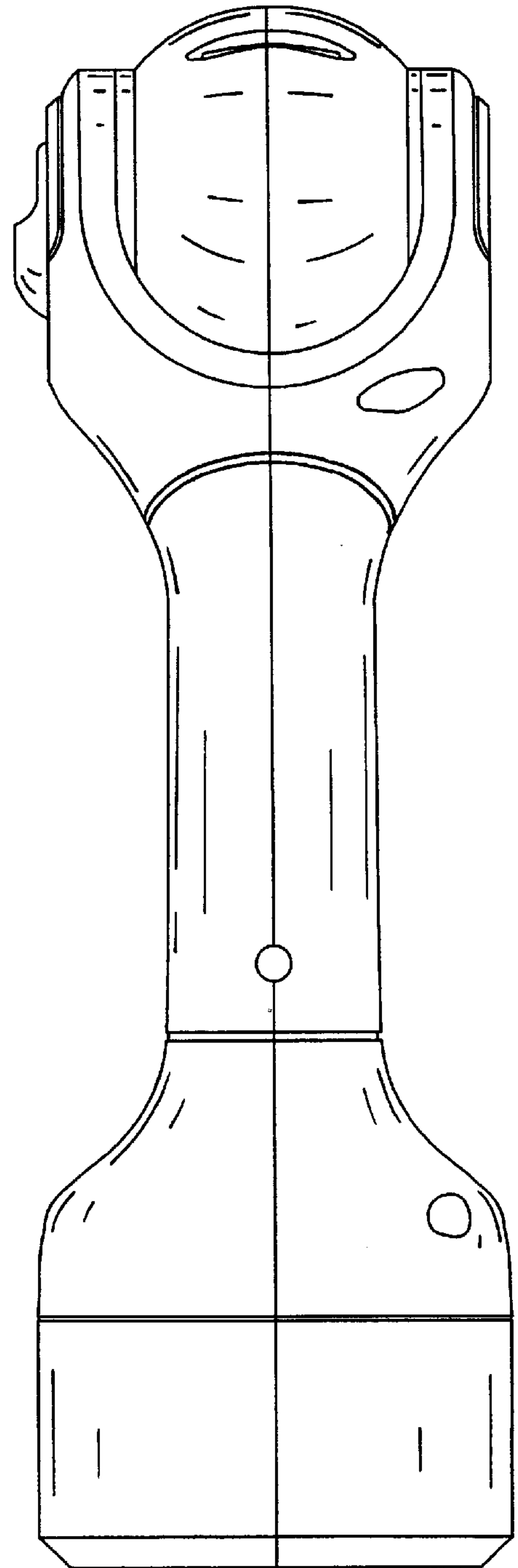


FIG. 7

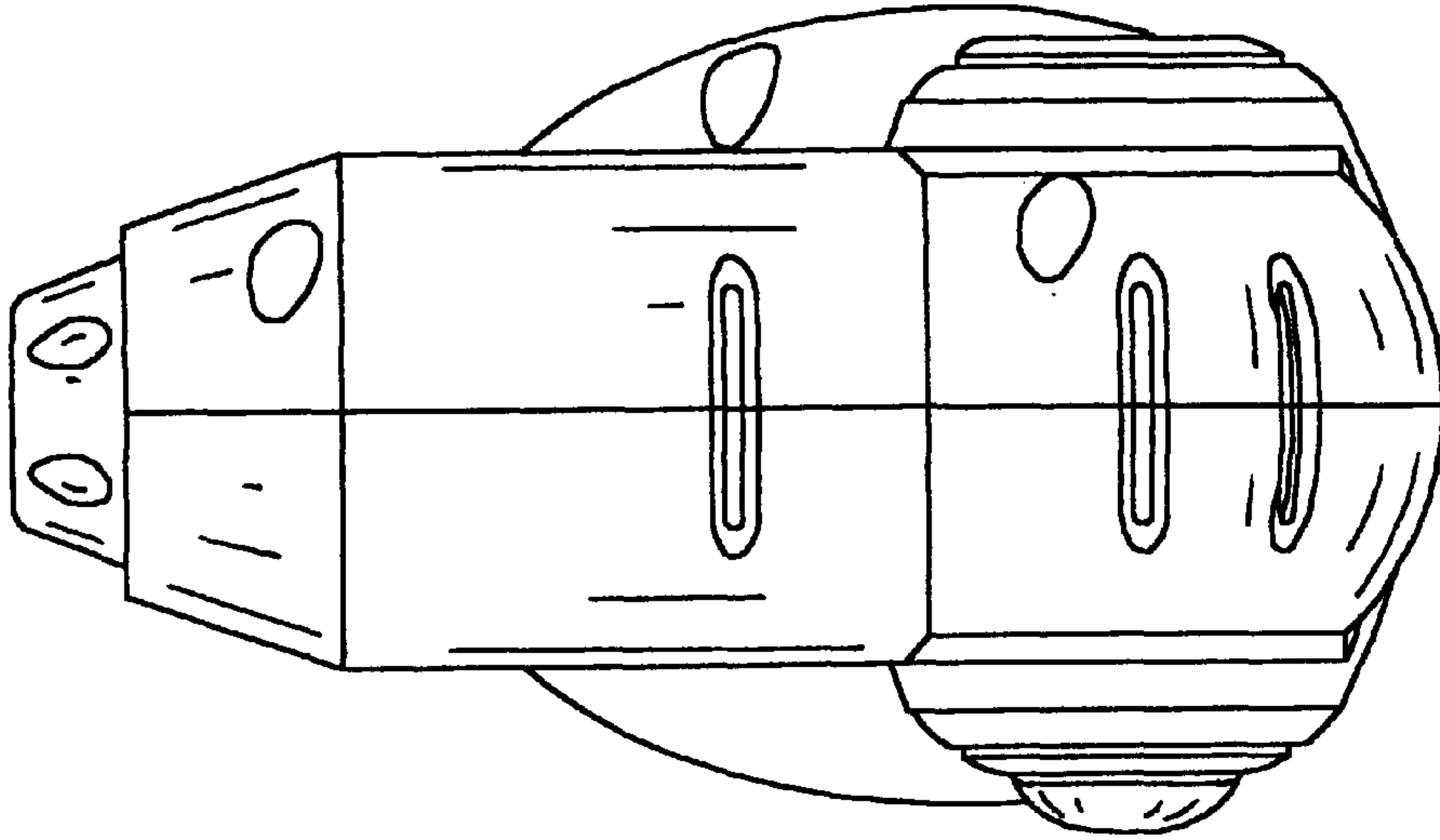


FIG. 8

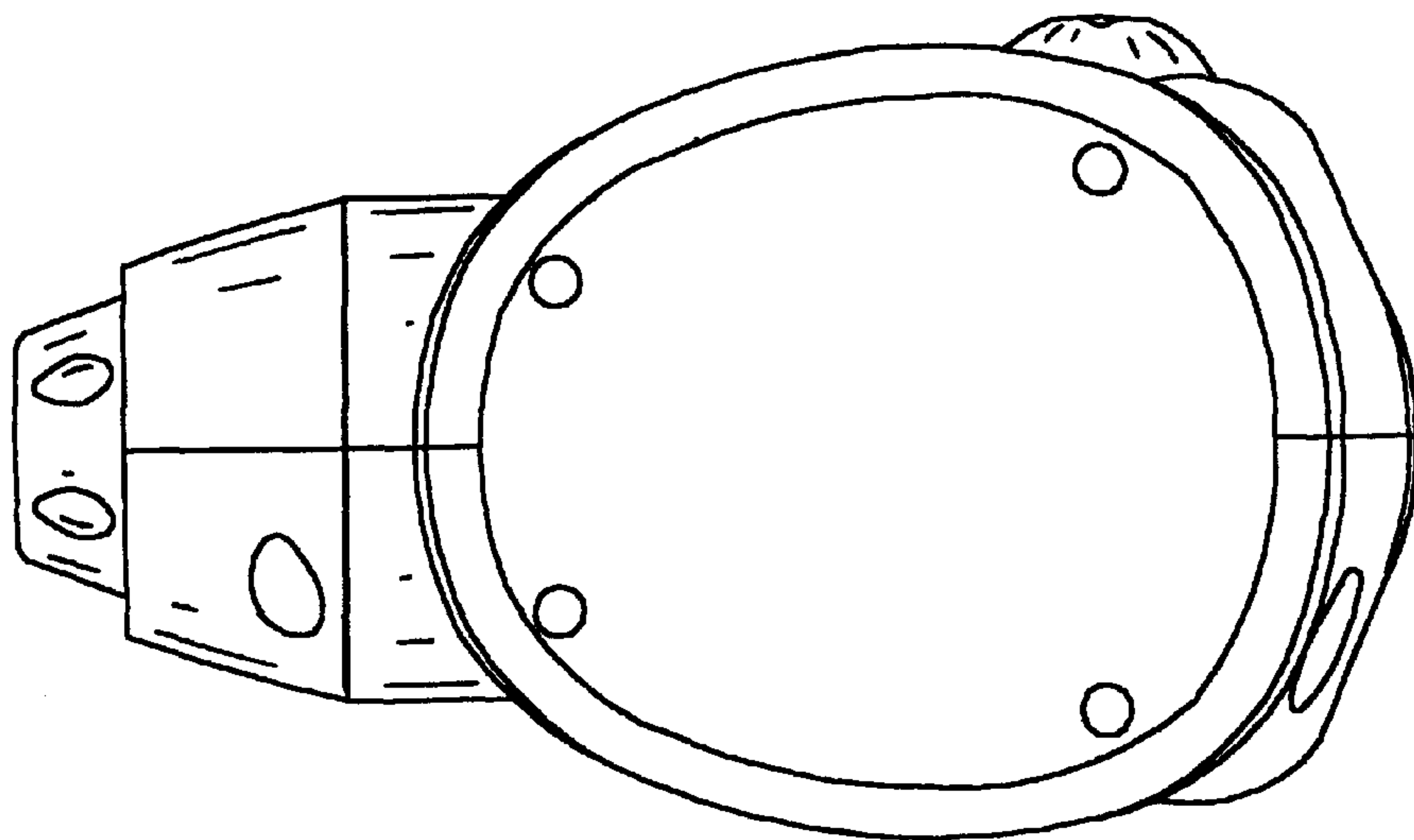


FIG. 9

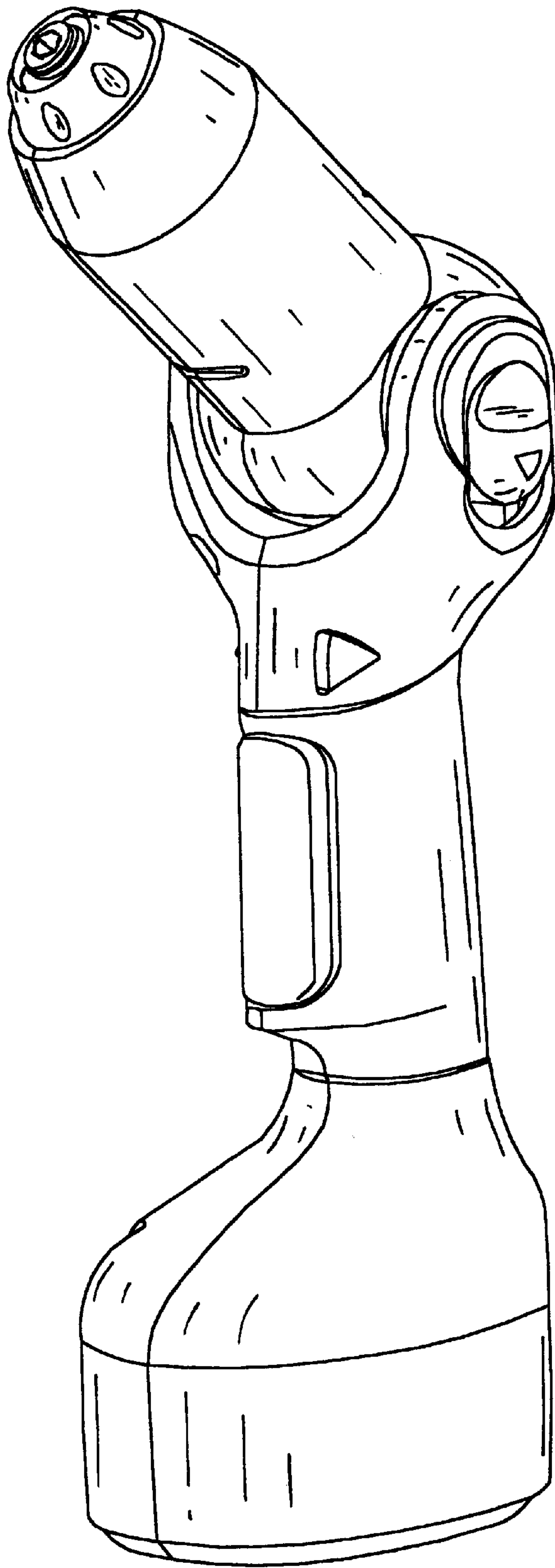


FIG. 10

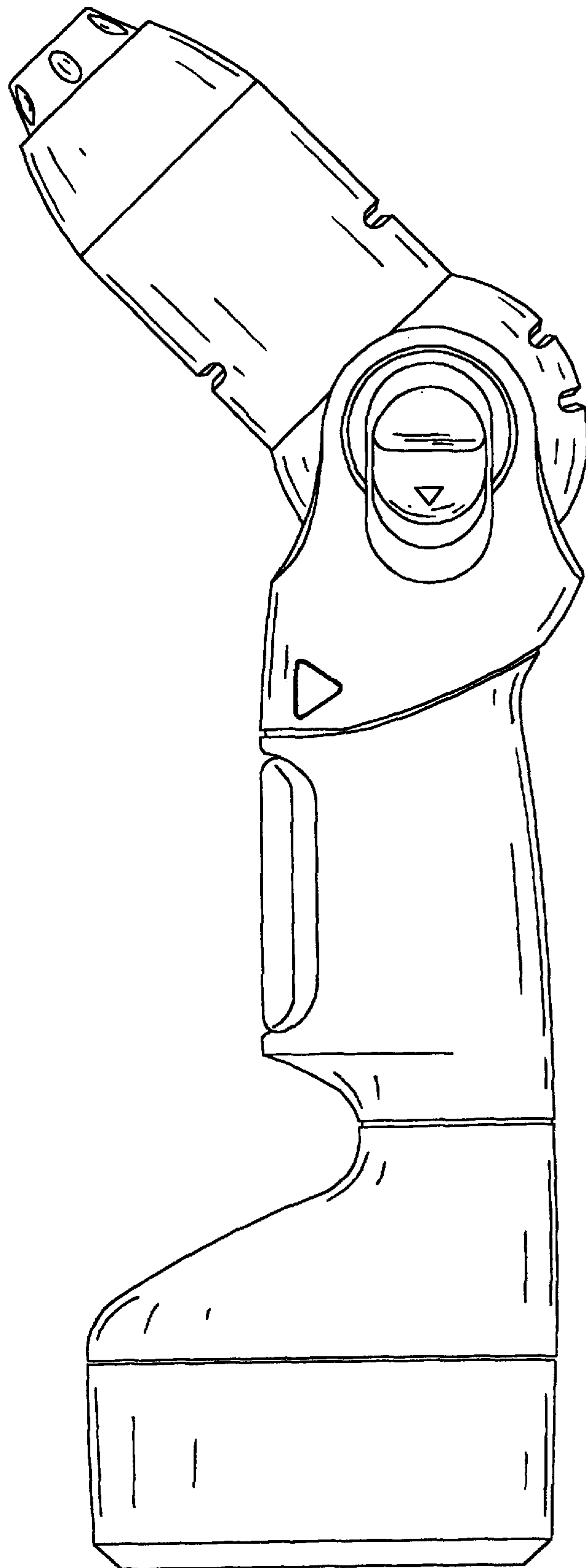


FIG.11

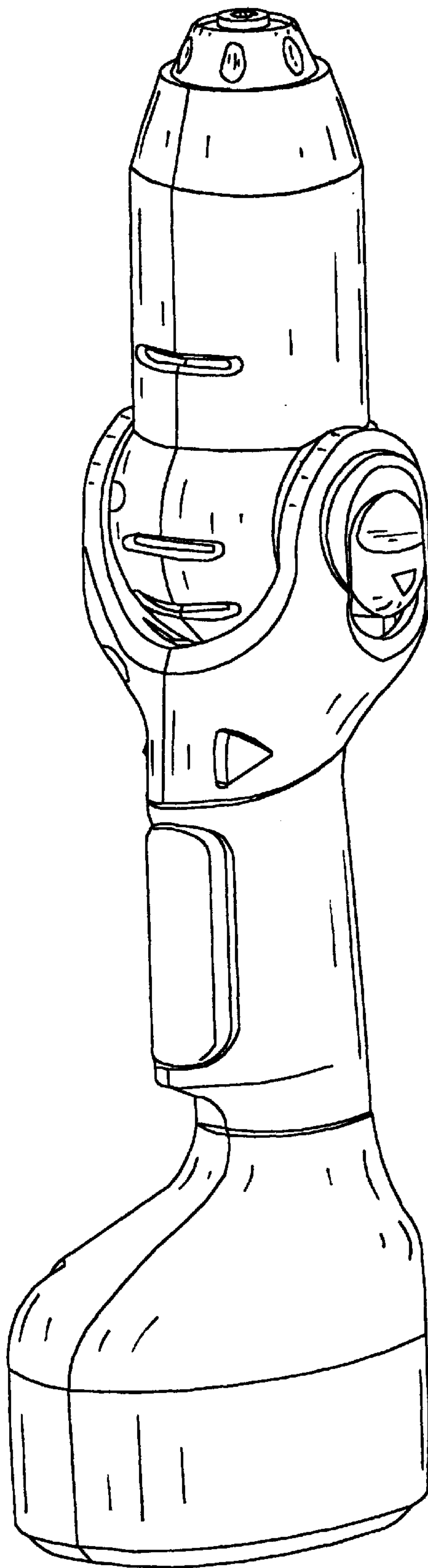


FIG.12

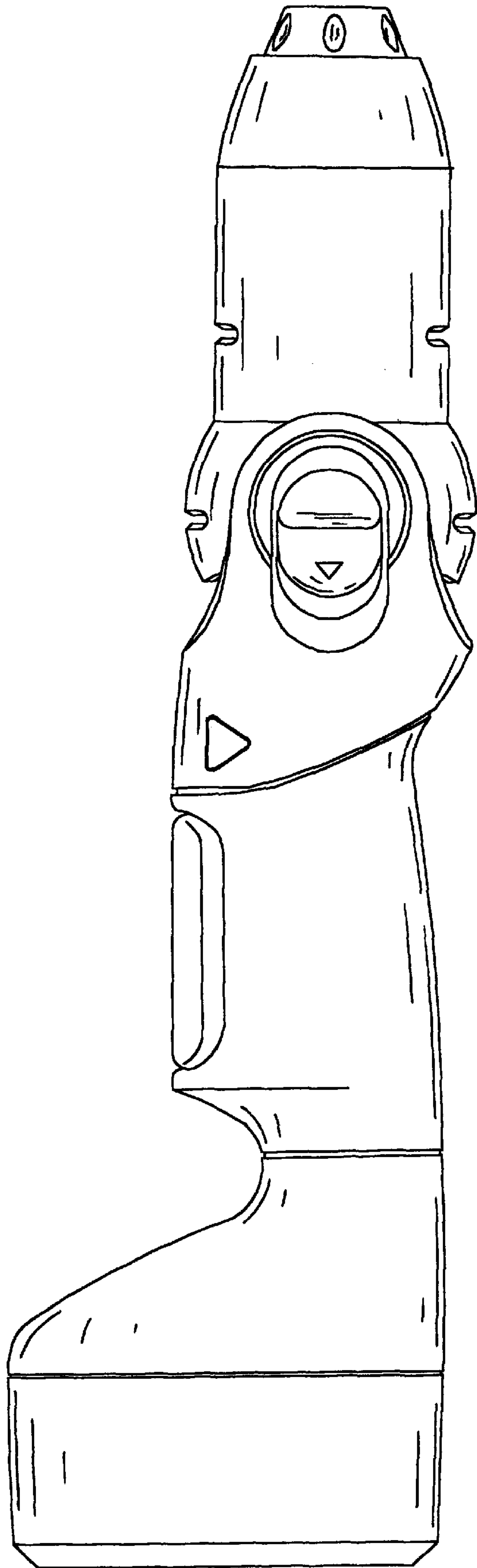


FIG.13

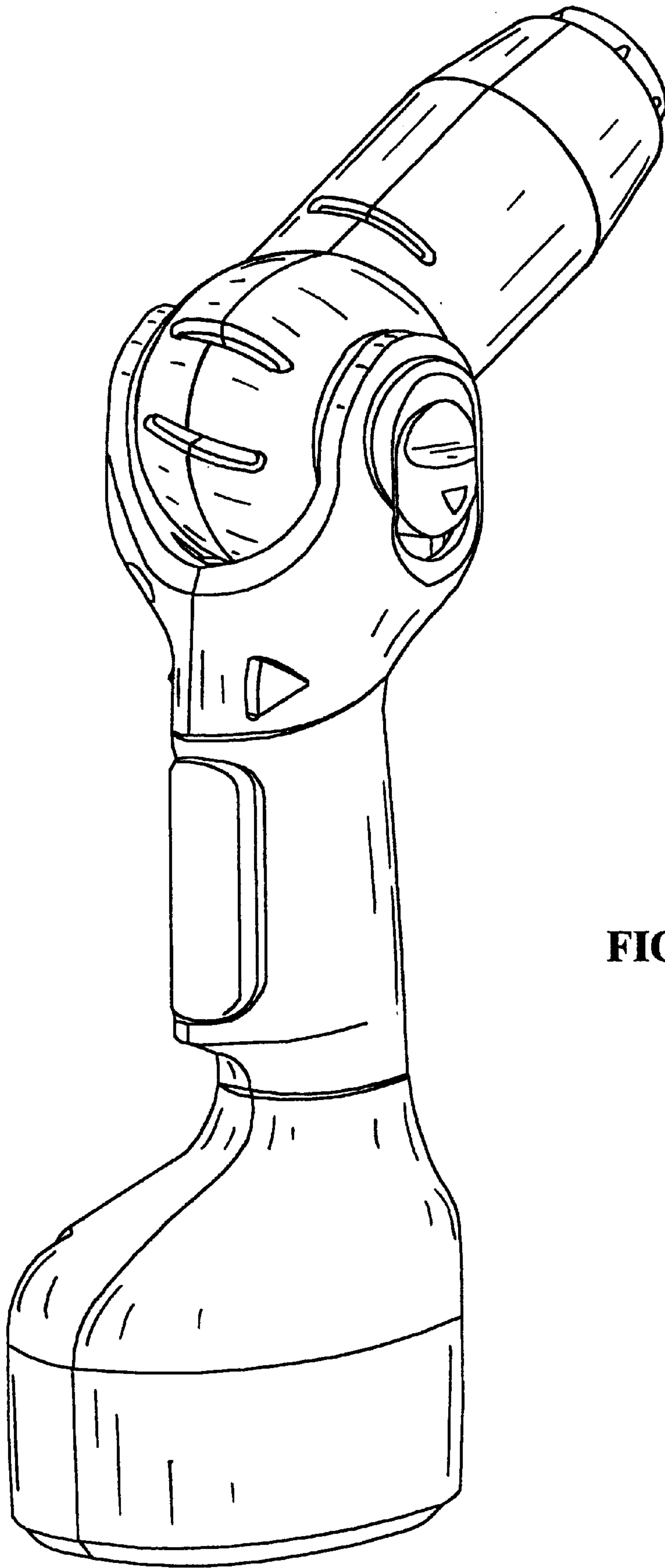


FIG.14

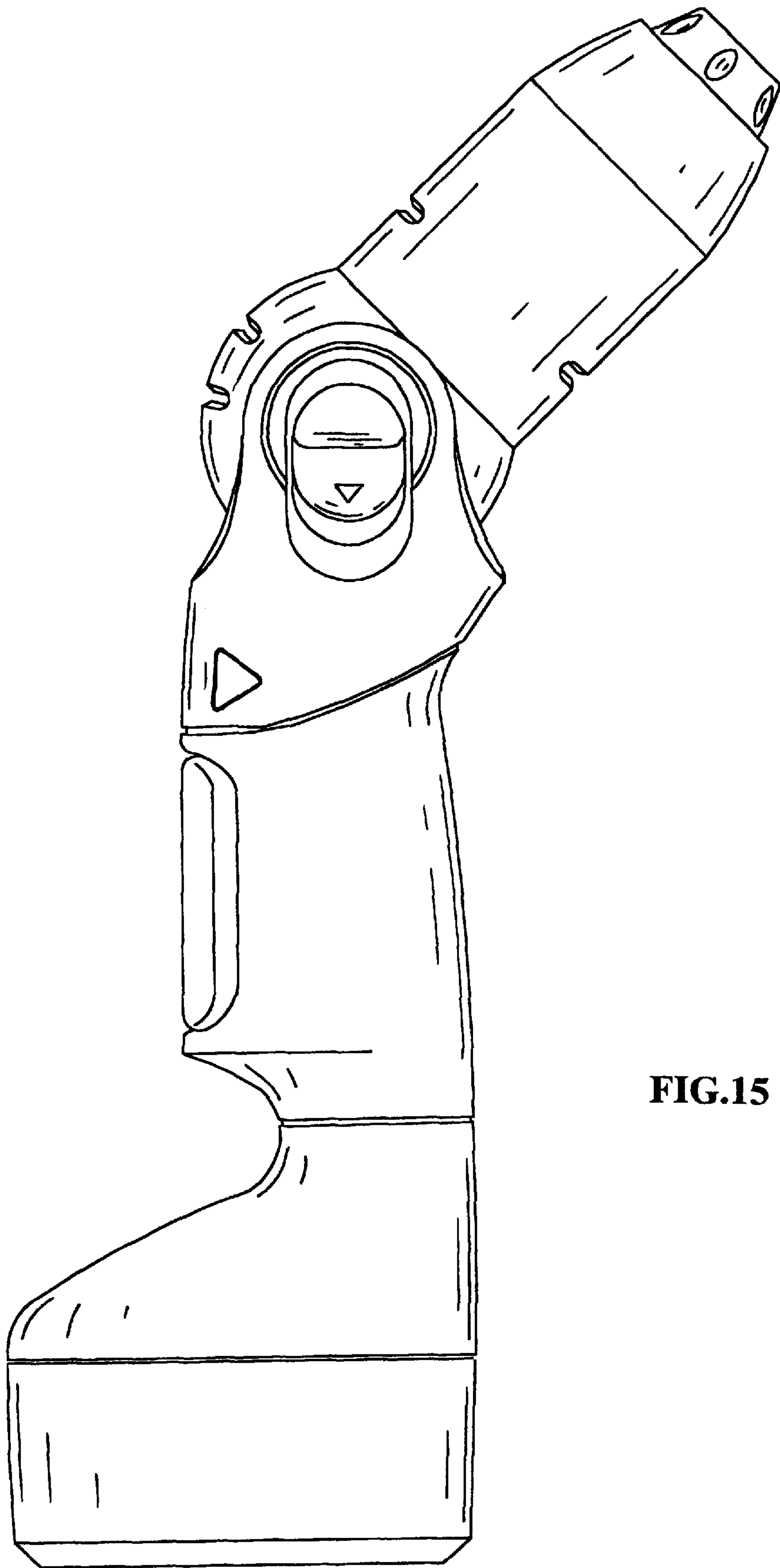


FIG.15

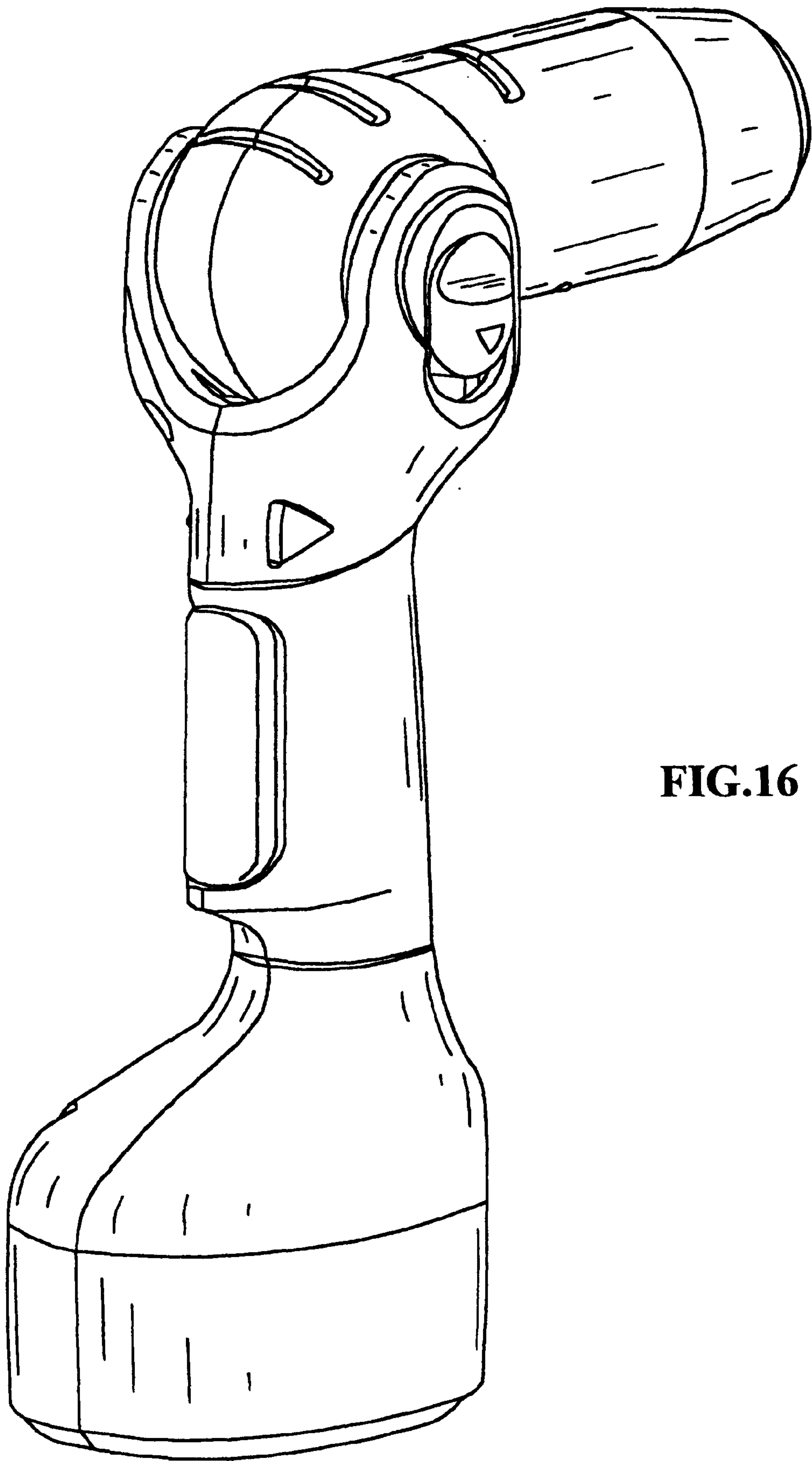


FIG.16

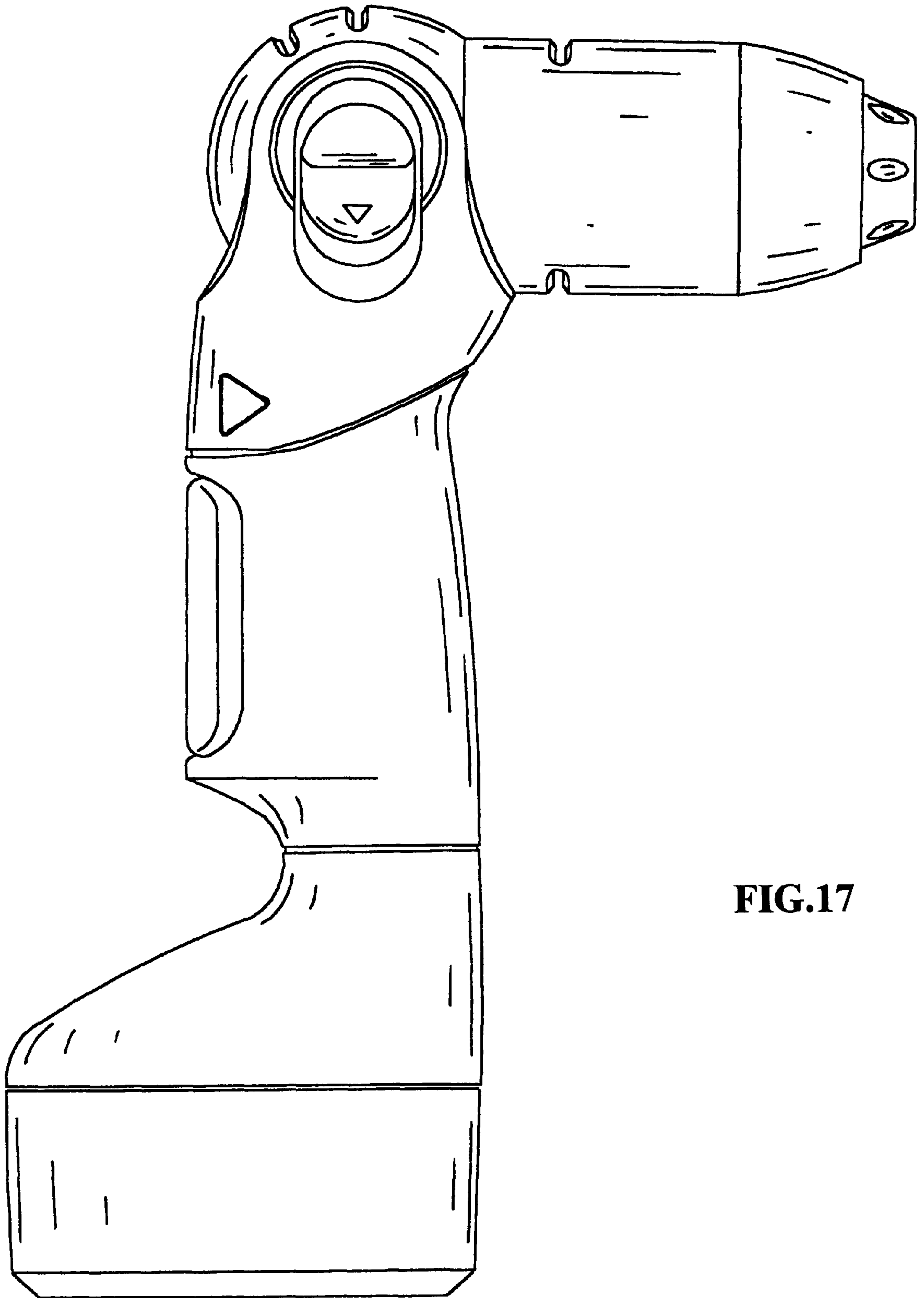


FIG.17