



US00D479454S

(12) **United States Design Patent**
Shih

(10) **Patent No.:** **US D479,454 S**

(45) **Date of Patent:** **** Sep. 9, 2003**

(54) **ELECTRIC CIRCULAR SAW WITH A SAFETY GUARD**

Primary Examiner—Doris V. Coles
Assistant Examiner—Elizabeth A. Albert

(76) **Inventor:** **Neng-Pao Shih**, No. 3, Alley 31, Lane 556, Chung Shan Road, Section 2, Yuan Lin (TW), 510

(57) **CLAIM**

An ornamental design for an electric circular saw with a safety guard, as shown and described.

(**) **Term:** **14 Years**

DESCRIPTION

(21) **Appl. No.:** **29/162,937**

FIG. 1 is a perspective view of the electric circular saw with a safety guard with the blade in a raised condition showing my new design;

(22) **Filed:** **Jun. 21, 2002**

FIG. 2 is a front view of FIG. 1 with the blade in lowered condition;

(51) **LOC (7) Cl.** **08-03**

(52) **U.S. Cl.** **D8/66**

(58) **Field of Search** D8/64, 66, 67, D8/69, 70; 30/375, 376, 377, 388, 389, 390, 391; 83/666, 863; 144/218

FIG. 3 is a rear view of FIG. 2;

FIG. 4 is a left side view of FIG. 2;

FIG. 5 is a right side view of FIG. 2;

FIG. 6 is a top view of FIG. 2;

FIG. 7 is a bottom view of FIG. 2;

(56) **References Cited**

U.S. PATENT DOCUMENTS

D317,110 S *	5/1991	Arehart	D8/66
5,199,343 A *	4/1993	O'Banion	D8/66
D372,484 S *	8/1996	Price et al.	D8/66
5,927,171 A *	7/1999	Sasaki et al.	83/165
D428,426 S *	7/2000	Brazell	D8/66
6,442,841 B1 *	9/2002	Nilsson et al.	30/123.3

FIG. 8 is another view of FIG. 1 showing a cylinder clamped onto the platform;

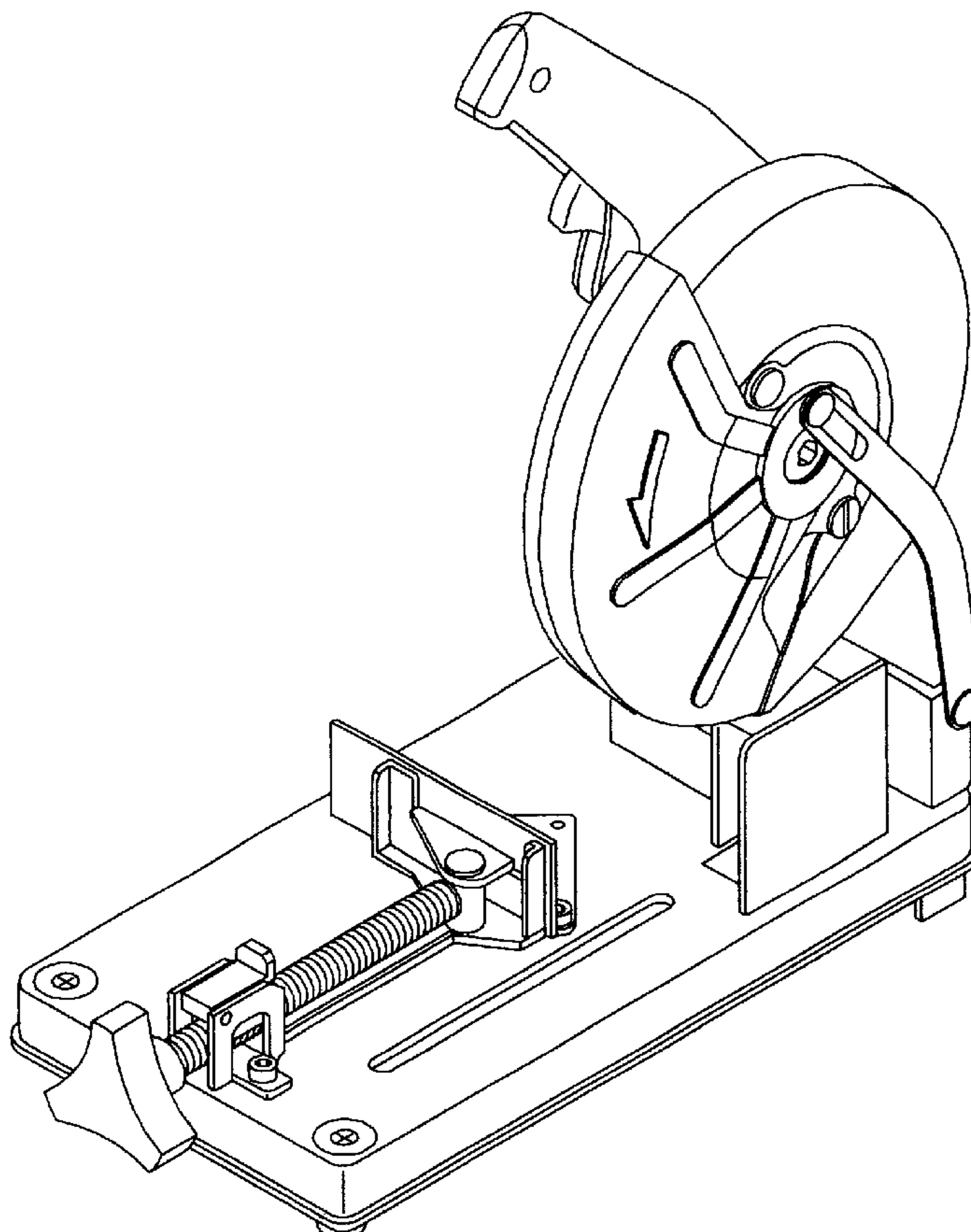
FIG. 9 is a front view of FIG. 1; and,

FIG. 10 is a rear view of FIG. 1.

The broken lines showing environment in the drawings are for illustrative purposes only and form no part of the claimed design.

* cited by examiner

1 Claim, 7 Drawing Sheets



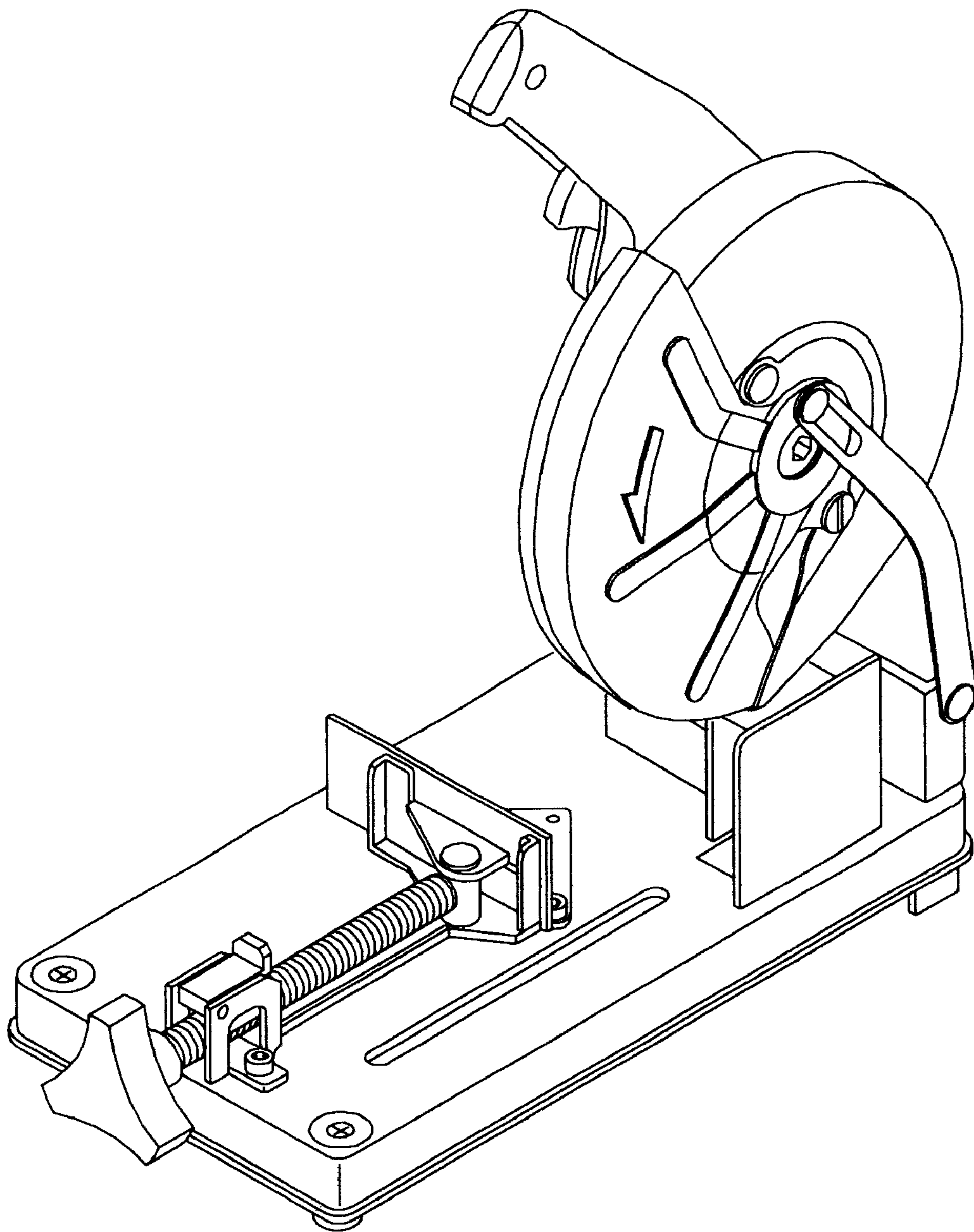


FIG. 1

FIG. 2

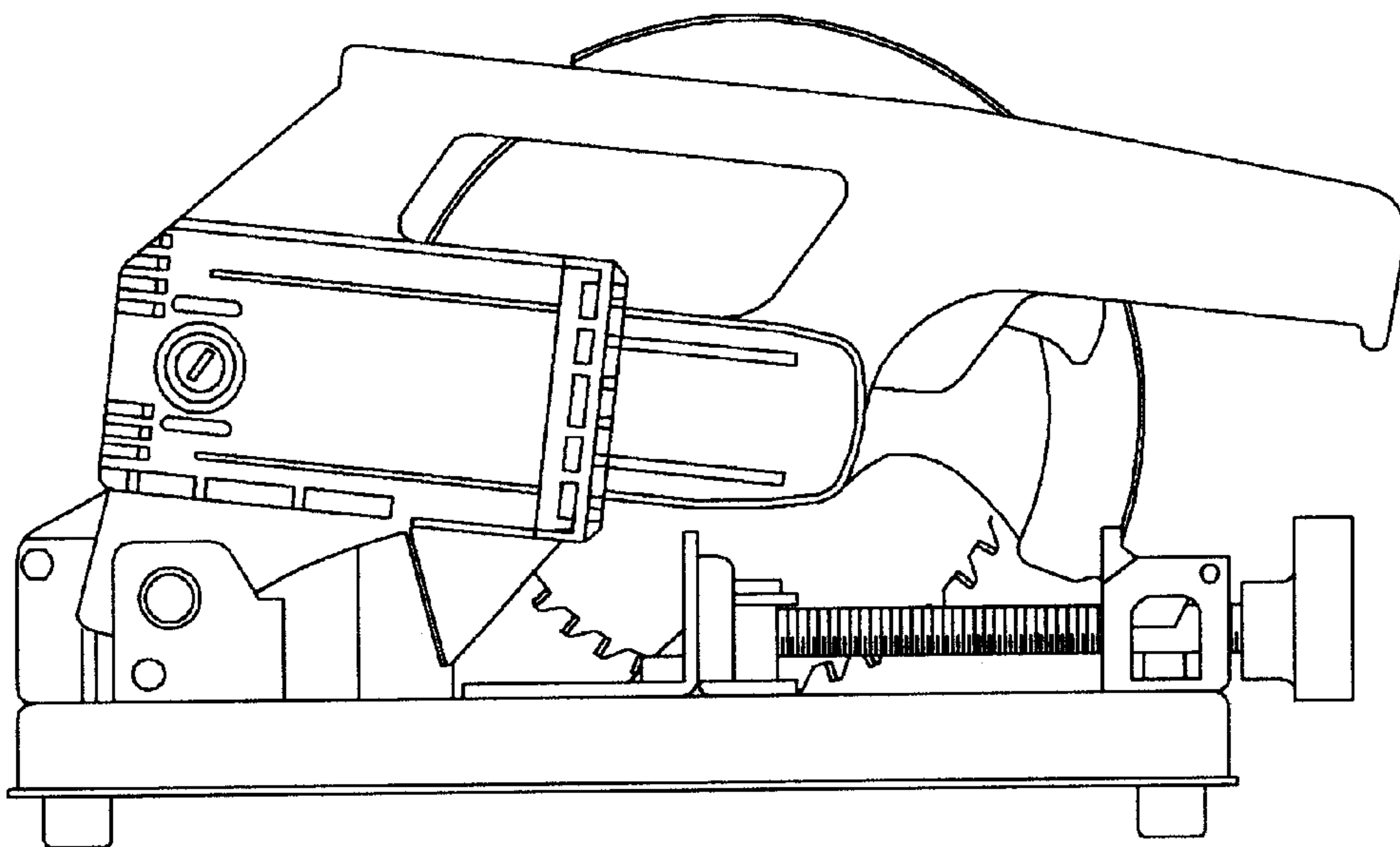
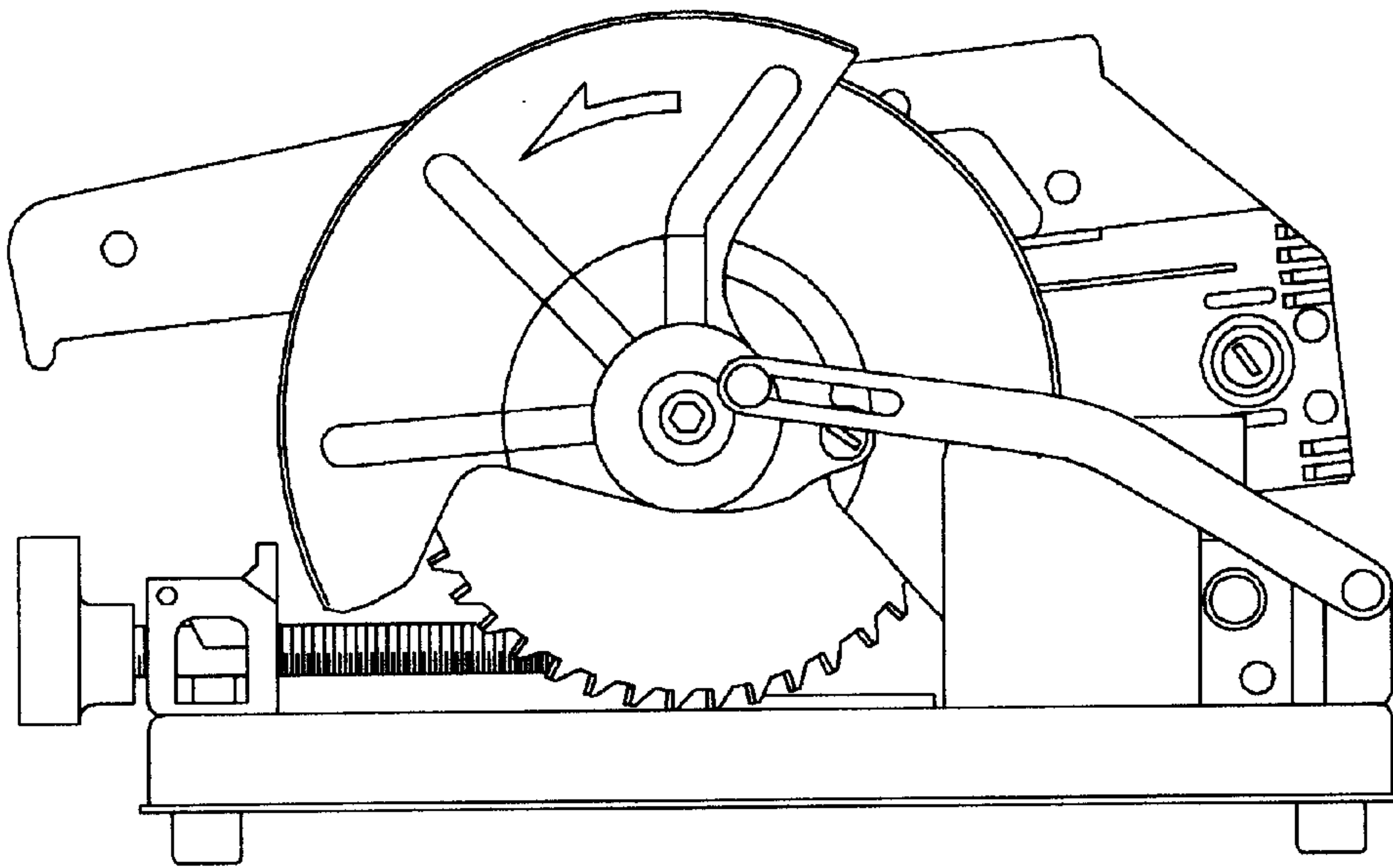


FIG. 3

FIG. 4

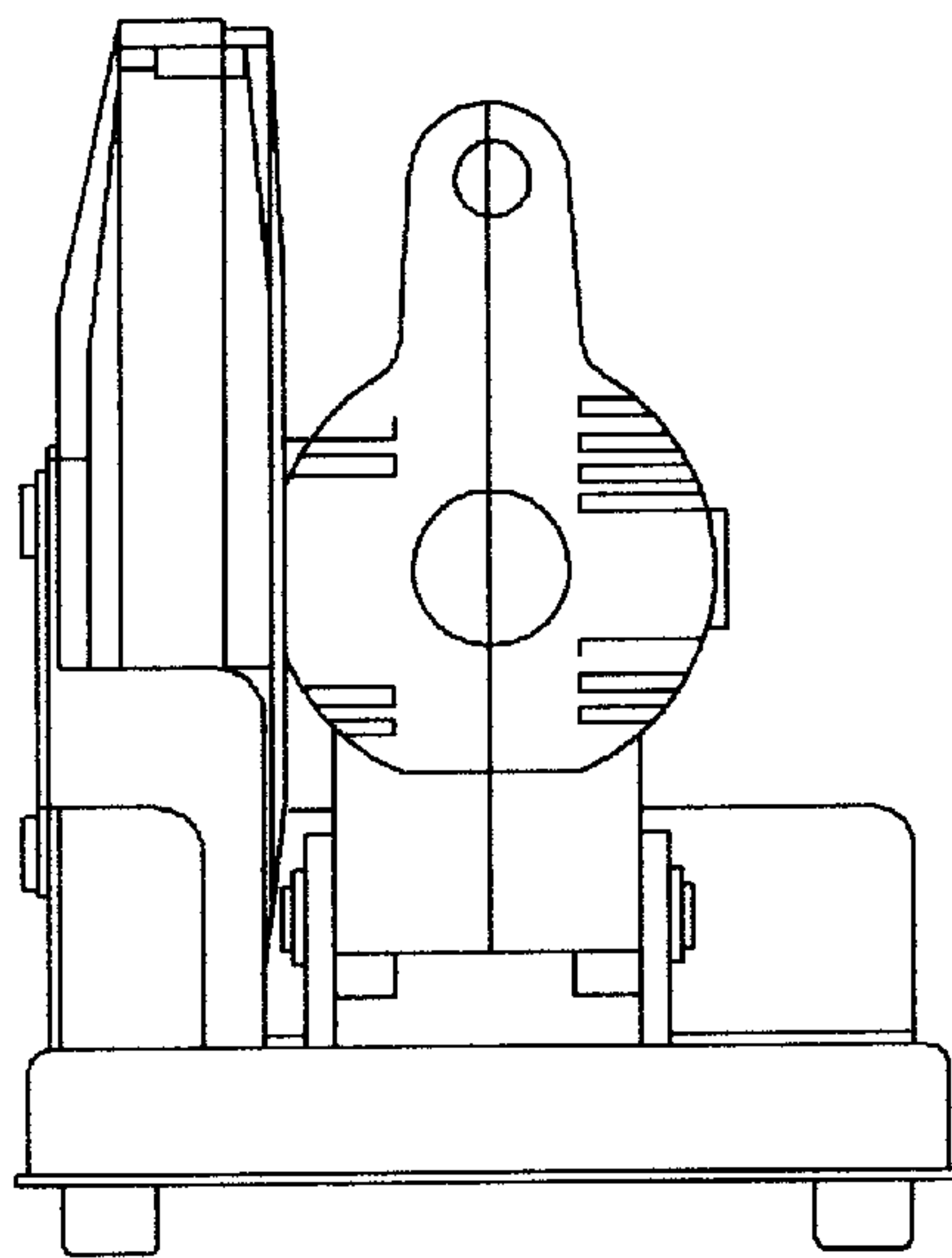
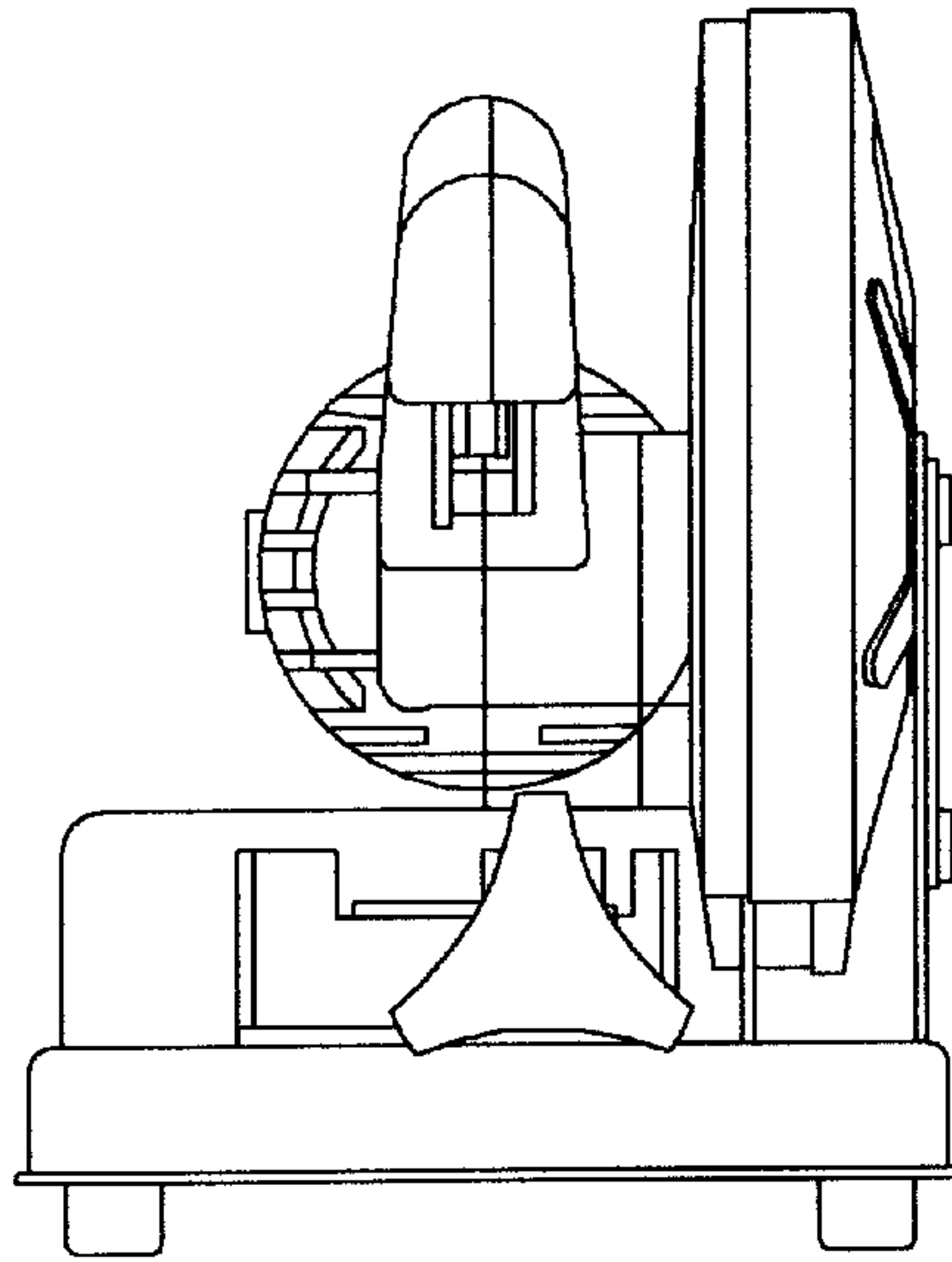


FIG. 5

FIG. 6

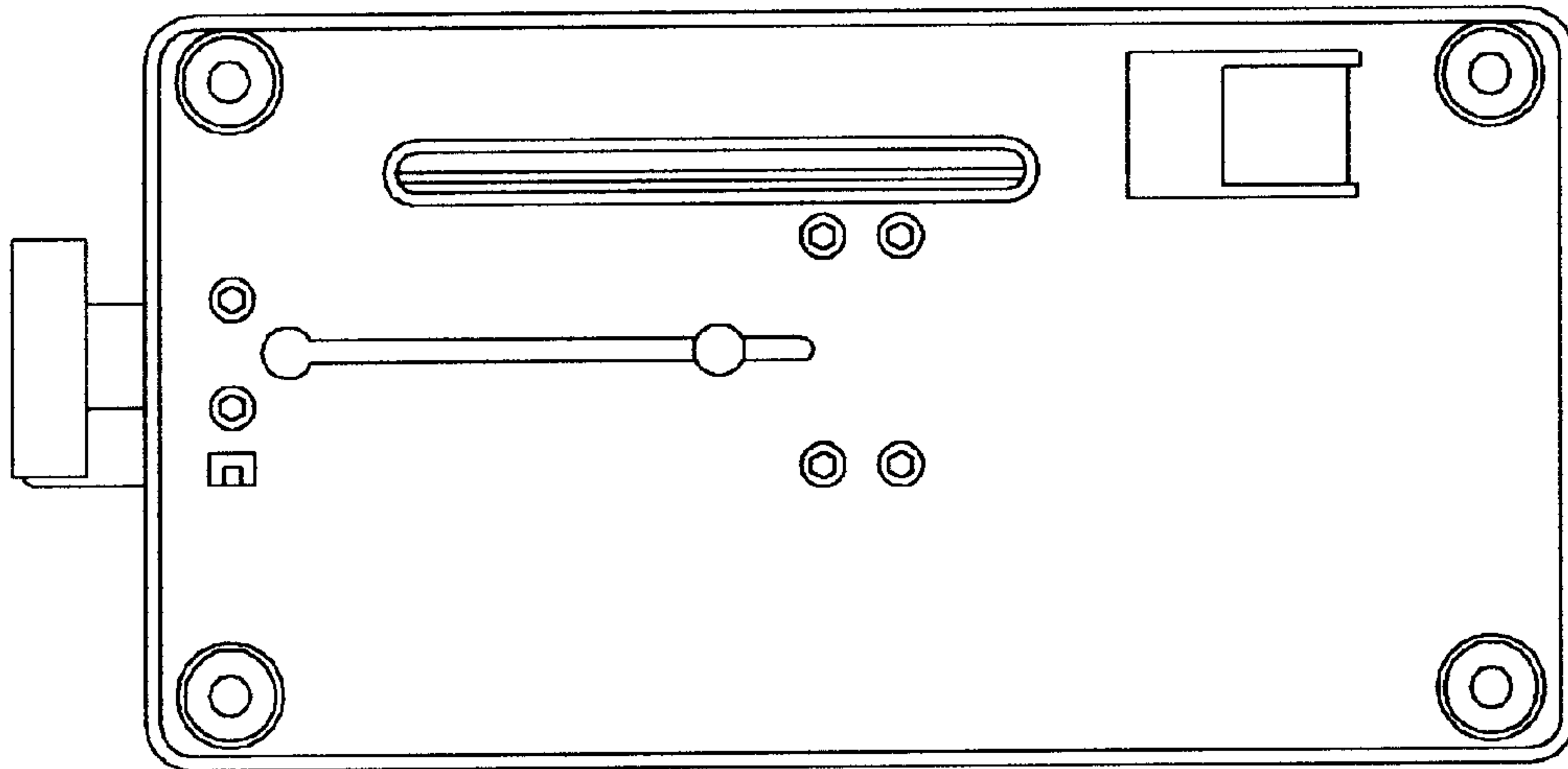
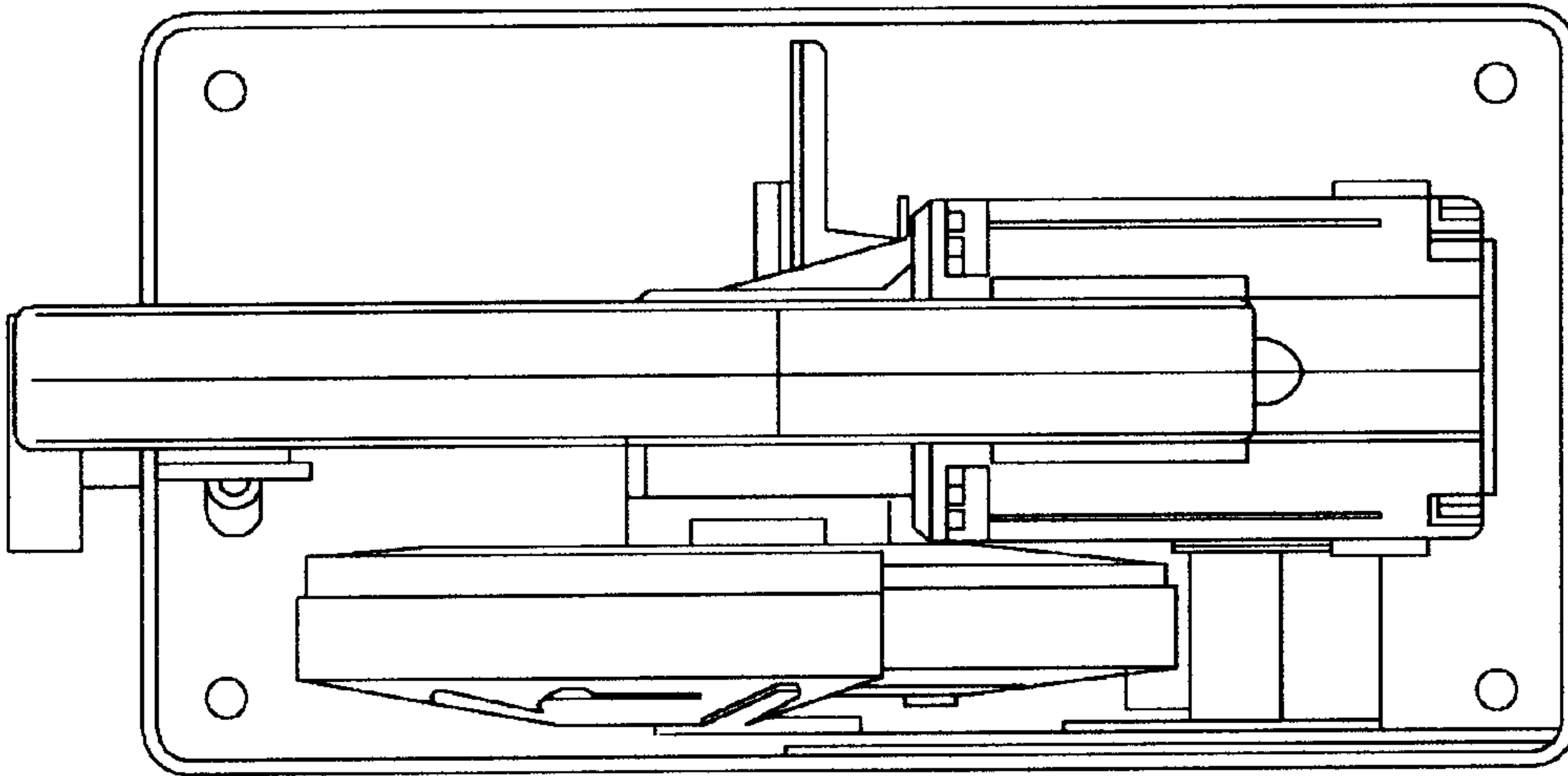


FIG. 7

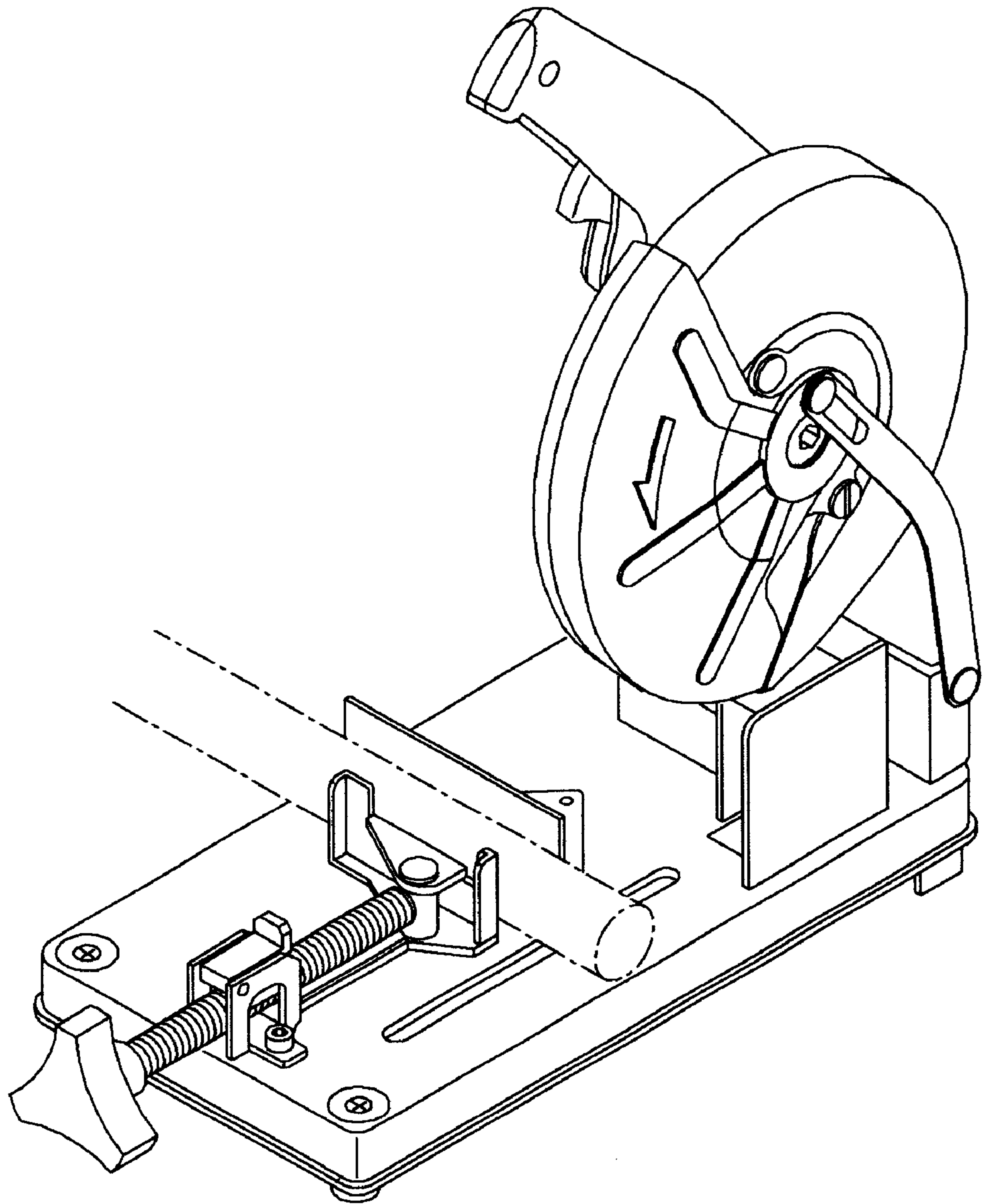


FIG. 8

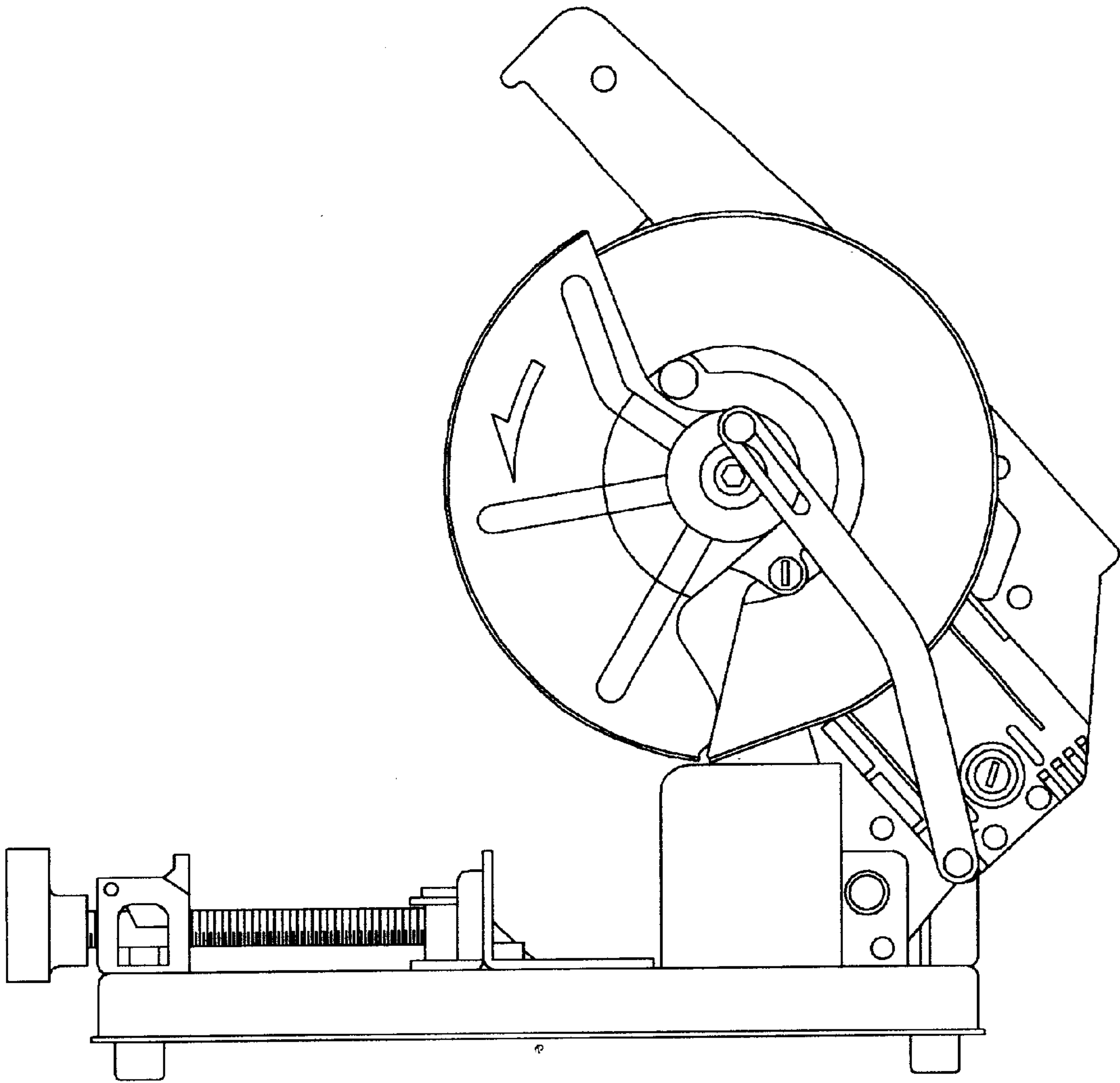


FIG. 9

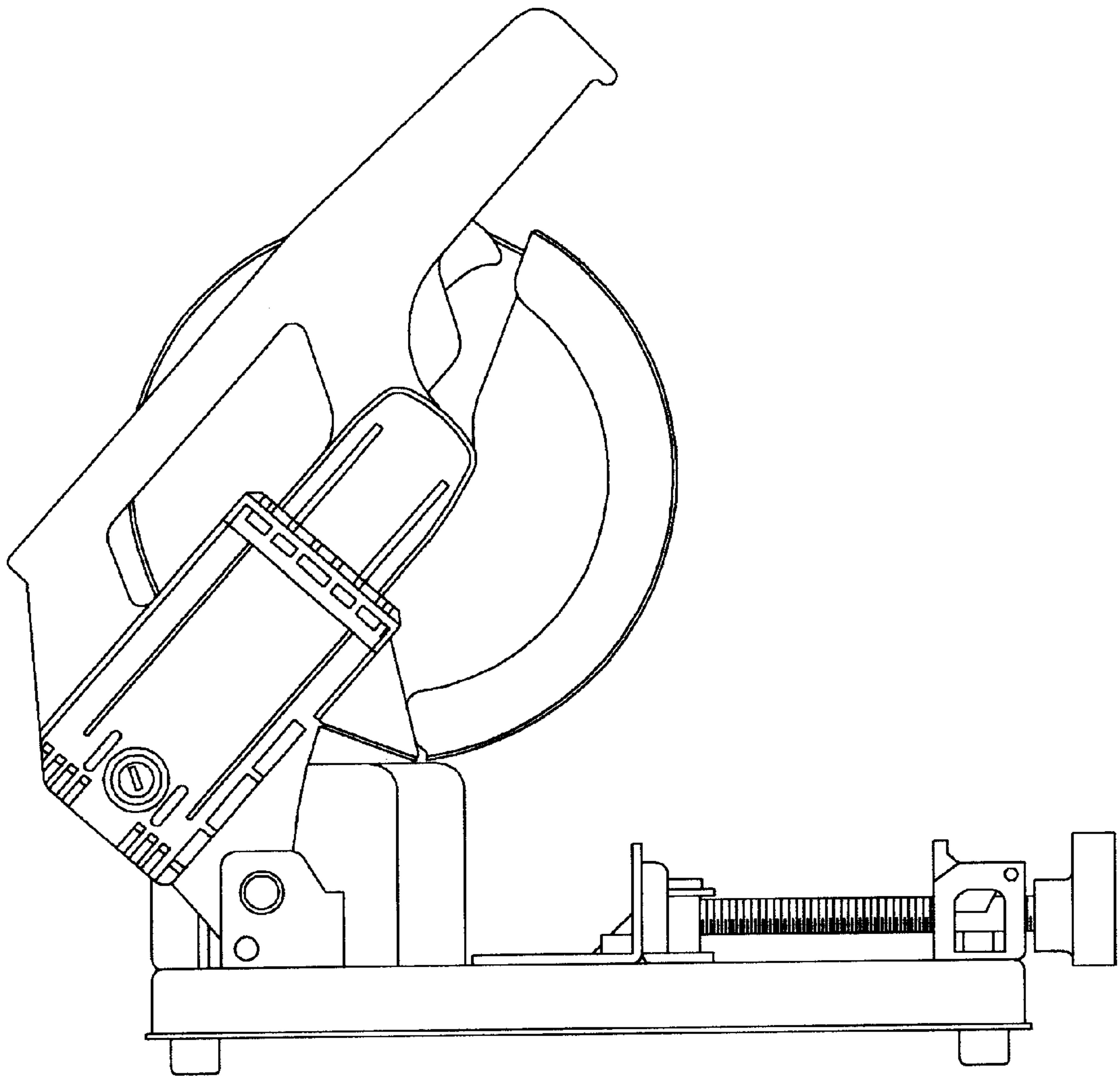


FIG. 10