



US00D479453S

(12) **United States Design Patent**
Lind et al.

(10) **Patent No.:** **US D479,453 S**

(45) **Date of Patent:** **** Sep. 9, 2003**

(54) **RECIPROCATING SAW**

(75) Inventors: **Jason S. Lind**, Simsbury, CT (US);
Christopher Switalski, Suffield, CT
(US); **Robert Pjevach**, Lindenhurst, IL
(US); **Mark Miklosz**, Western Springs,
IL (US)

(73) Assignee: **S-B Power Tool Corporation**, Chicago,
IL (US)

(**) Term: **14 Years**

(21) Appl. No.: **29/170,153**

(22) Filed: **Nov. 2, 2002**

(51) **LOC (7) Cl.** **08-03**

(52) **U.S. Cl.** **D8/64**

(58) **Field of Search** D8/61, 64, 65,
D8/66, 67, 68, 69; 30/166.3, 374, 375,
376, 377, 388, 390, 391, 392, 393, 394,
397; 83/397, 699.21; 409/180, 181, 182

(56) **References Cited**

U.S. PATENT DOCUMENTS

5,007,172	A	*	4/1991	Palm	30/377
5,079,844	A	*	1/1992	Palm	30/392
5,083,376	A	*	1/1992	Lentino	30/392
D339,510	S	*	9/1993	Sakamoto et al.	D8/64
5,598,636	A	*	2/1997	Stolzer	30/394
D401,128	S	*	11/1998	Zurwelle	D8/64
D408,699	S	*	4/1999	Zurwelle	D8/64

D416,180	S	*	11/1999	Sakai et al.	D8/64
6,249,979	B1	*	6/2001	Bednar et al.	30/392
6,272,757	B1	*	8/2001	Roe	30/377
6,286,217	B1	*	9/2001	Dassoulas et al.	30/392
D456,233	S	*	4/2002	Main	D8/64
D468,982	S	*	1/2003	Brazell et al.	D8/64
D471,418	S	*	3/2003	Chunn et al.	D8/64

* cited by examiner

Primary Examiner—Doris V. Coles

Assistant Examiner—Elizabeth Albert

(74) *Attorney, Agent, or Firm*—Victor A. Henzi

(57) **CLAIM**

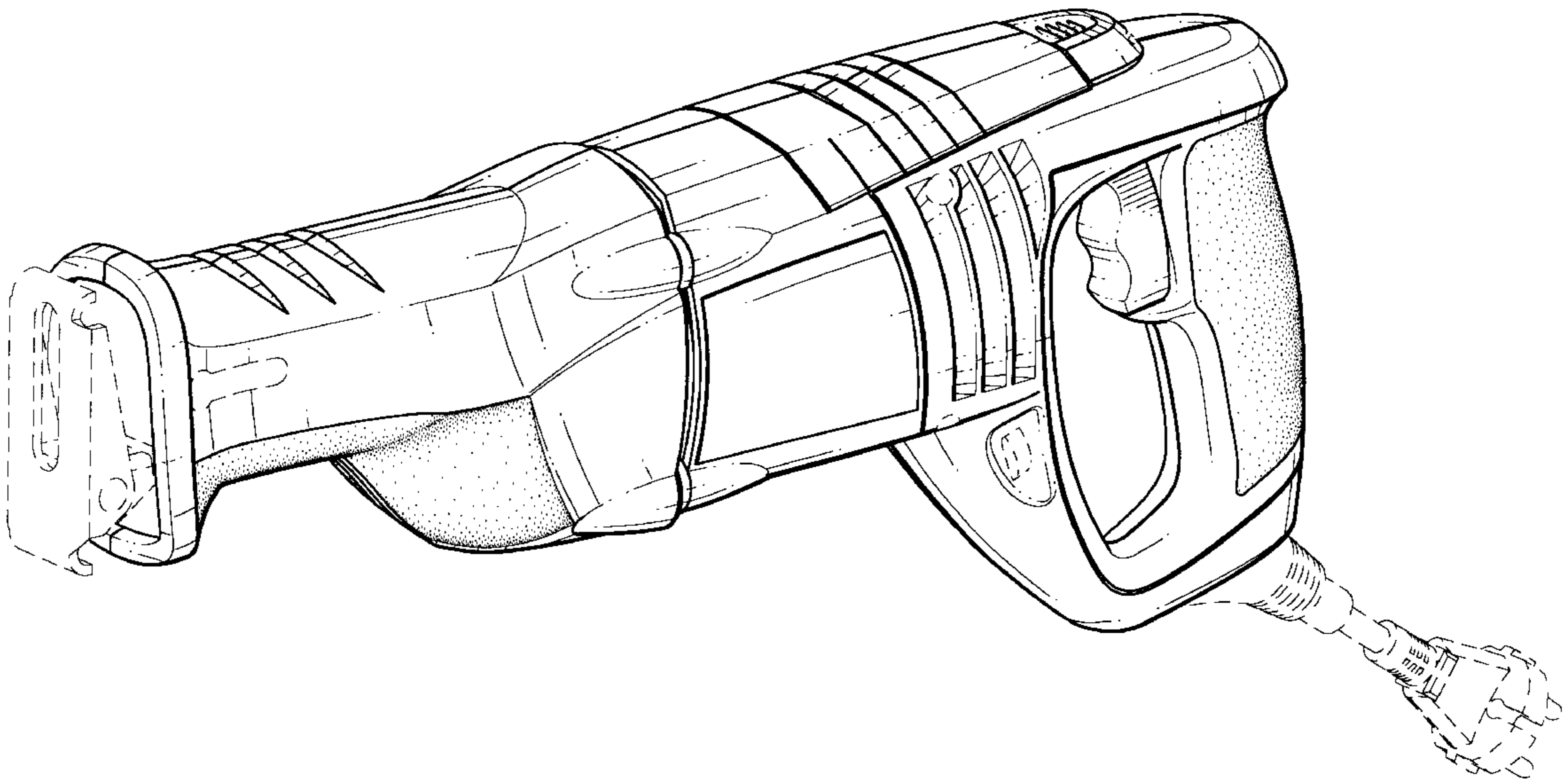
The ornamental design for a reciprocating saw, as shown and described.

DESCRIPTION

FIG. 1 is a left side perspective view of the present new design for a reciprocating saw;
FIG. 2 is a left elevational view thereof;
FIG. 3 is a right elevational view thereof;
FIG. 4 is a top plan view thereof;
FIG. 5 is a bottom plan view thereof;
FIG. 6 is front elevational view thereof; and,
FIG. 7 is a rear elevational view thereof.

The broken lines showing various features of a reciprocating saw are for illustrative purposes only and form no part of the claimed design. Stippling has been applied to certain surfaces to represent differential surface treatment and this is considered to be a claimed feature of the ornamental design.

1 Claim, 5 Drawing Sheets



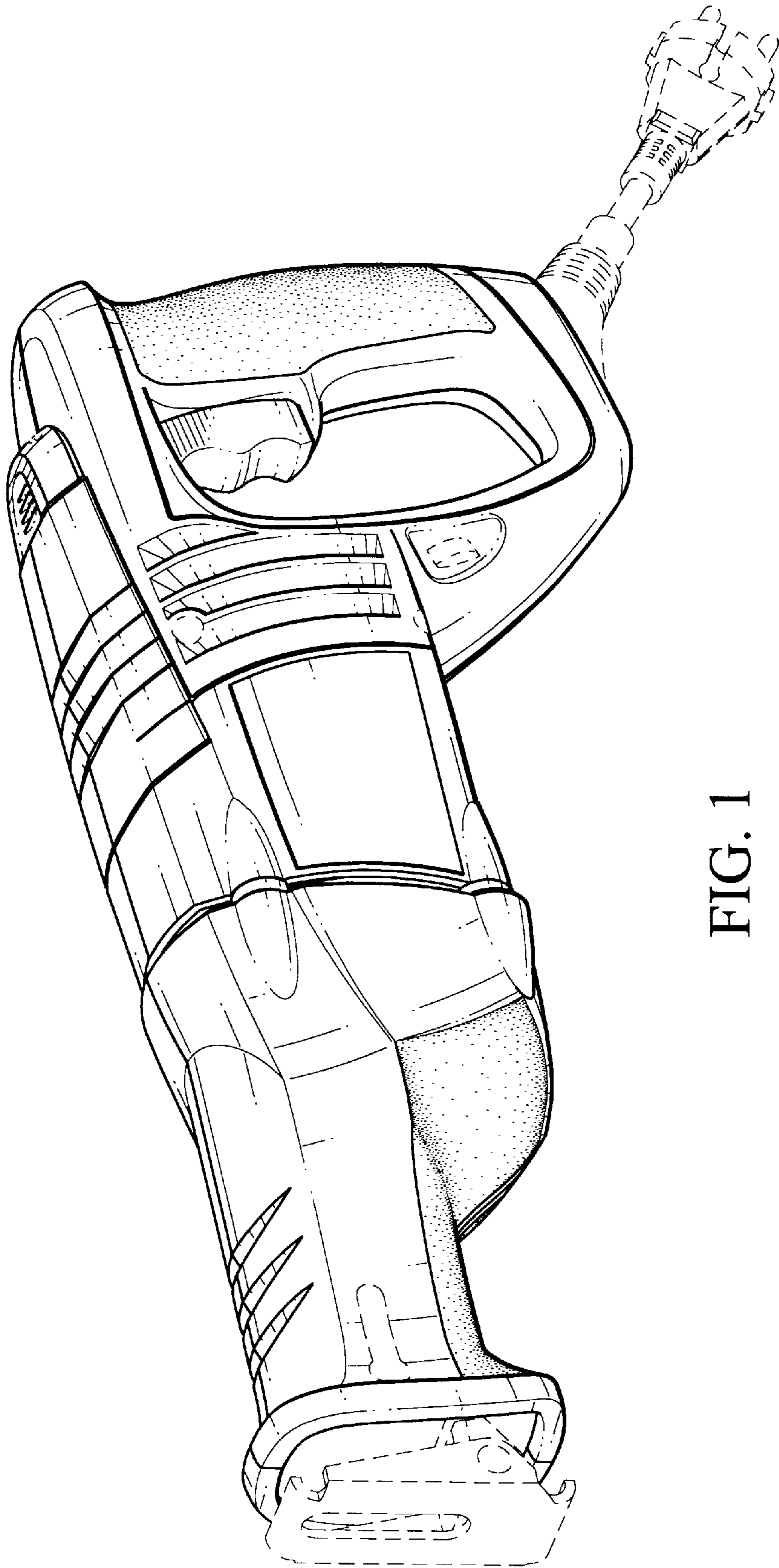


FIG. 1

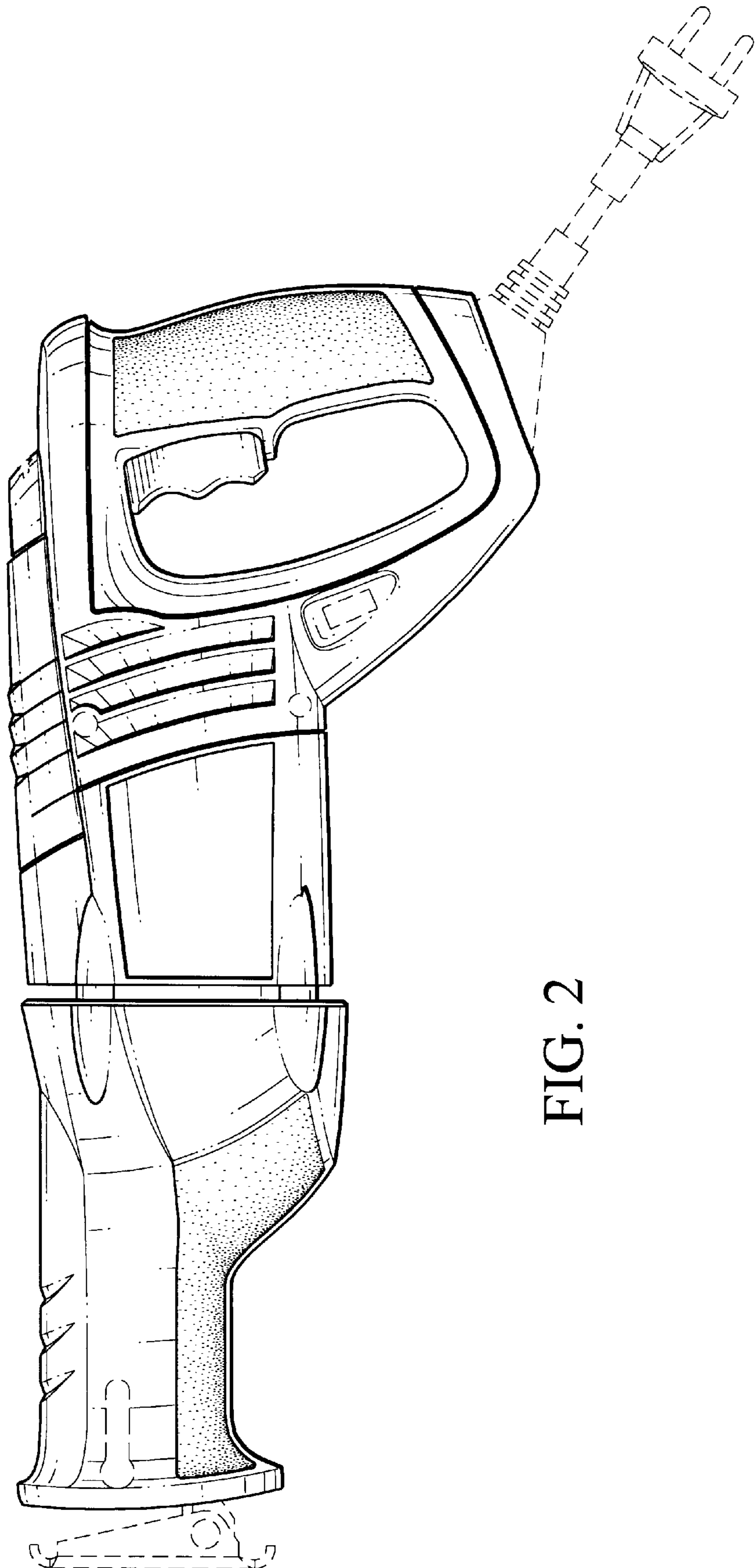


FIG. 2

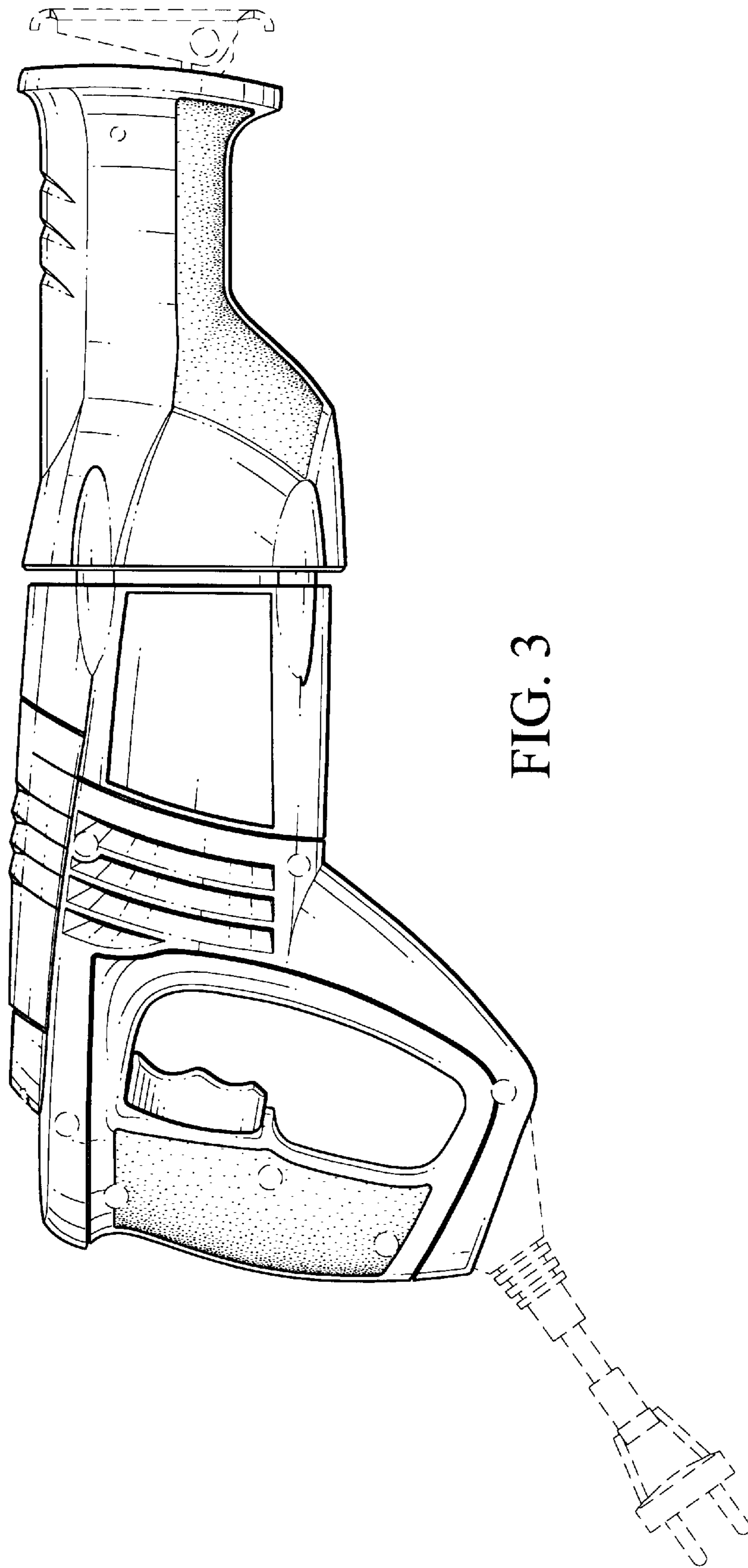


FIG. 3

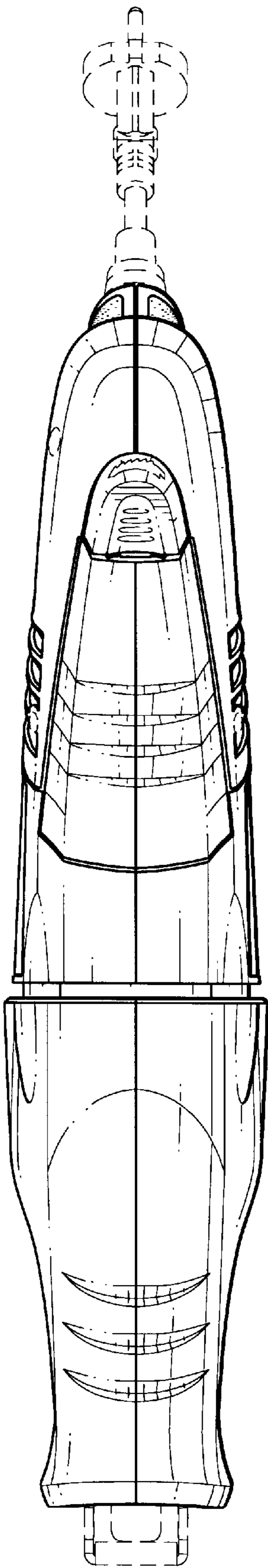


FIG. 4

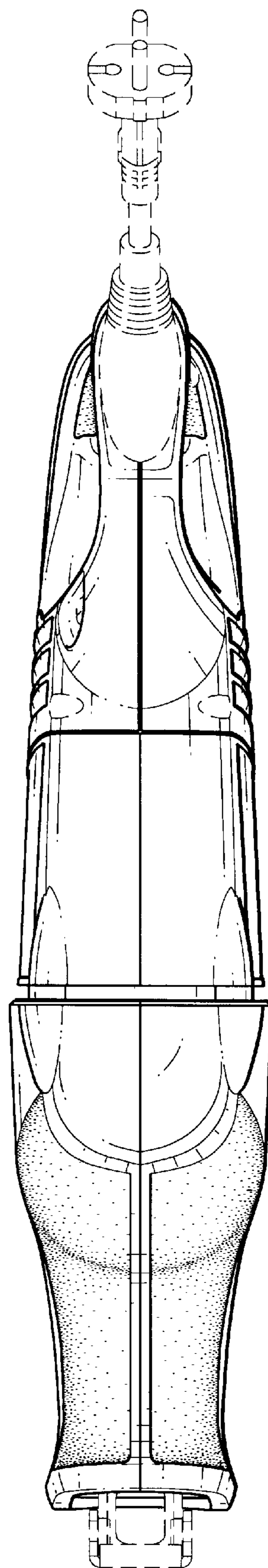


FIG. 5

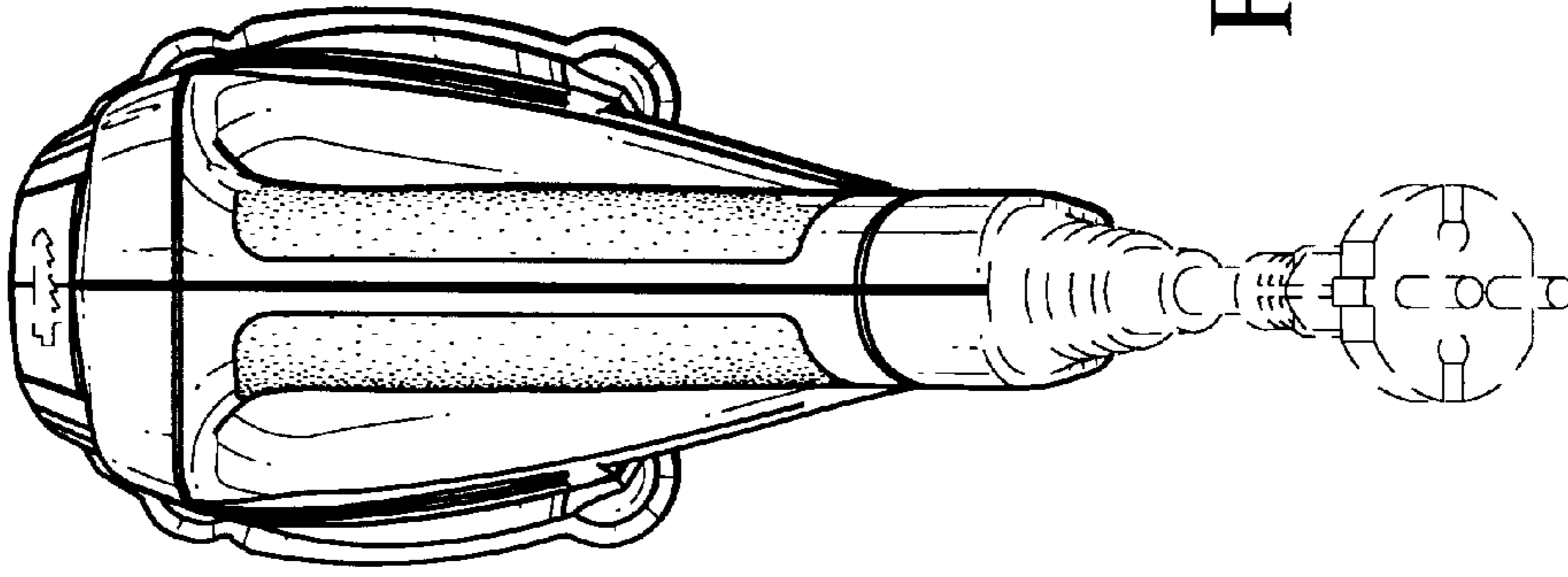


FIG. 7

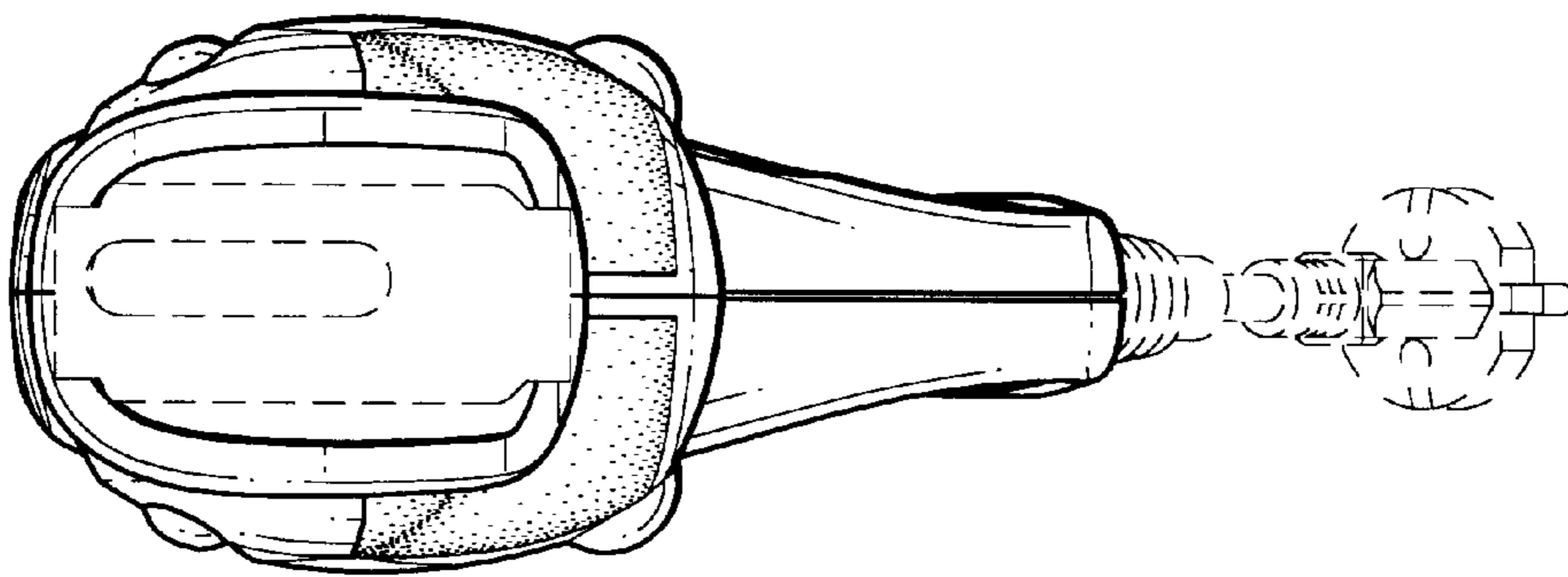


FIG. 6