



US00D479452S

(12) **United States Design Patent**
Cho

(10) **Patent No.:** **US D479,452 S**

(45) **Date of Patent:** **** Sep. 9, 2003**

(54) **HAND GRINDER**

(75) **Inventor:** **Han Gun Cho**, Chungcheongnam-do (KR)

(73) **Assignee:** **LG Industrial Systems Co., Ltd.**, Seoul (KR)

(**) **Term:** **14 Years**

(21) **Appl. No.:** **29/171,547**

(22) **Filed:** **Nov. 25, 2002**

(30) **Foreign Application Priority Data**

Jul. 8, 2002 (KR) 2002-0019885

(51) **LOC (7) Cl.** **08-01**

(52) **U.S. Cl.** **D8/62**

(58) **Field of Search** D4/102; D8/61, D8/62; 173/168, 169, 170, 171, 217; 310/47, 50; 451/344, 351, 356, 357, 358, 359, 451, 453, 456

(56) **References Cited**

U.S. PATENT DOCUMENTS

D255,417 S	*	6/1980	Sakamoto et al.	D8/62
D295,824 S	*	5/1988	Hoshino et al.	D8/62
D297,907 S	*	10/1988	Hoshino et al.	D8/62
D301,830 S	*	6/1989	Ogawa et al.	D8/62
D347,153 S	*	5/1994	Uneyama	D8/62

D378,183 S	*	2/1997	Dognini	D8/62
D396,175 S	*	7/1998	Chung	D8/62
D408,244 S	*	4/1999	Price	D8/62
D423,898 S	*	5/2000	Kelley	D8/61
D438,077 S	*	2/2001	Schmid	D8/61
D450,989 S	*	11/2001	Schoen	D8/62
D453,098 S	*	1/2002	Pretzell	D8/62
6,527,630 B2	*	3/2003	Mannsperger et al.	451/344

* cited by examiner

Primary Examiner—Doris V. Coles

Assistant Examiner—Elizabeth A. Albert

(74) *Attorney, Agent, or Firm*—Birch, Stewart, Kolasch & Birch, LLP

(57) **CLAIM**

The ornamental design for hand grinder, as shown and described.

DESCRIPTION

FIG. 1 is a perspective view of hand grinder showing the new design:

FIG. 2 is a front view thereof;

FIG. 3 is a rear view thereof;

FIG. 4 is a left-side view thereof;

FIG. 5 is a right-side view thereof;

FIG. 6 is a top plan view thereof; and,

FIG. 7 is a bottom plan view thereof.

1 Claim, 4 Drawing Sheets

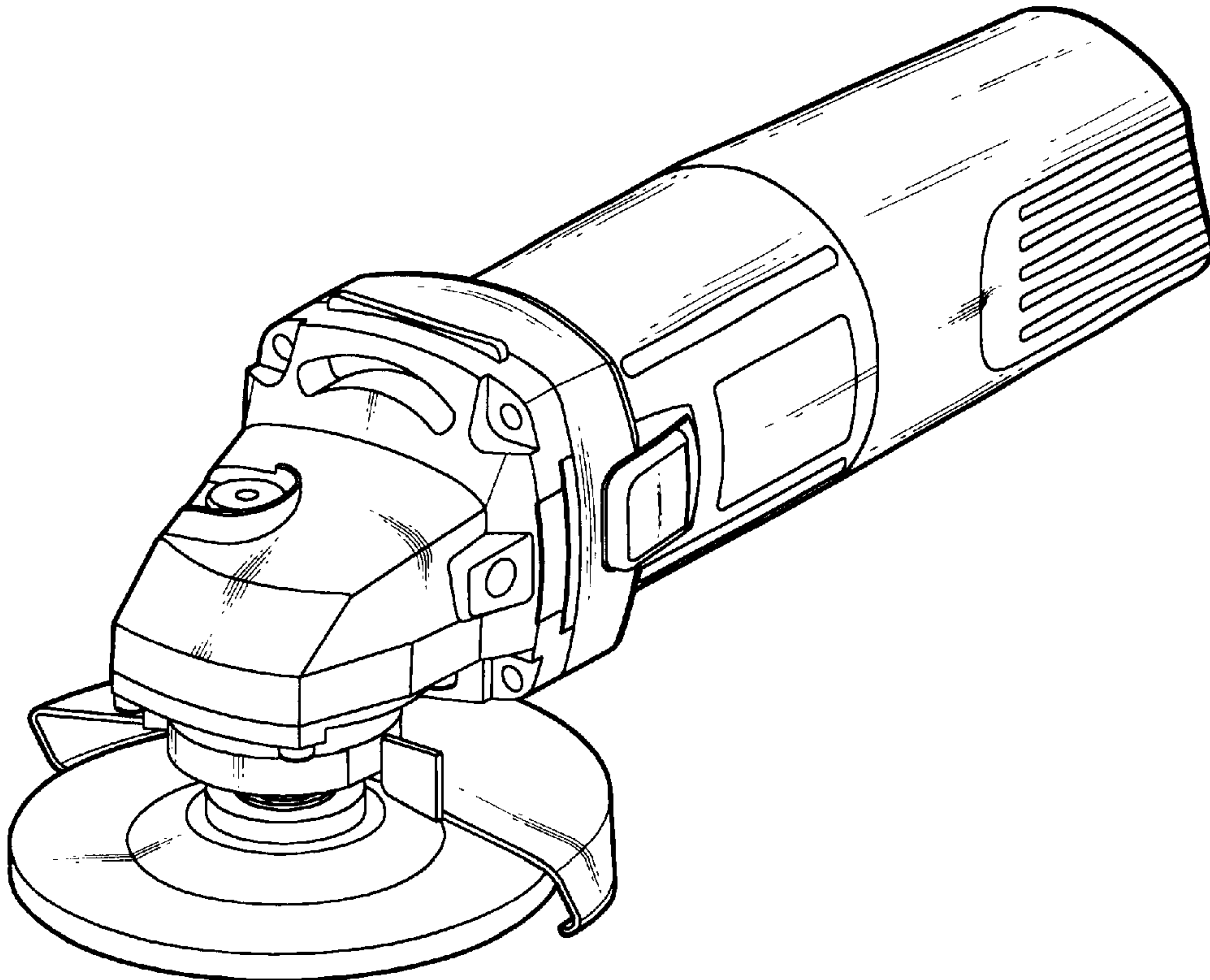


FIG. 1

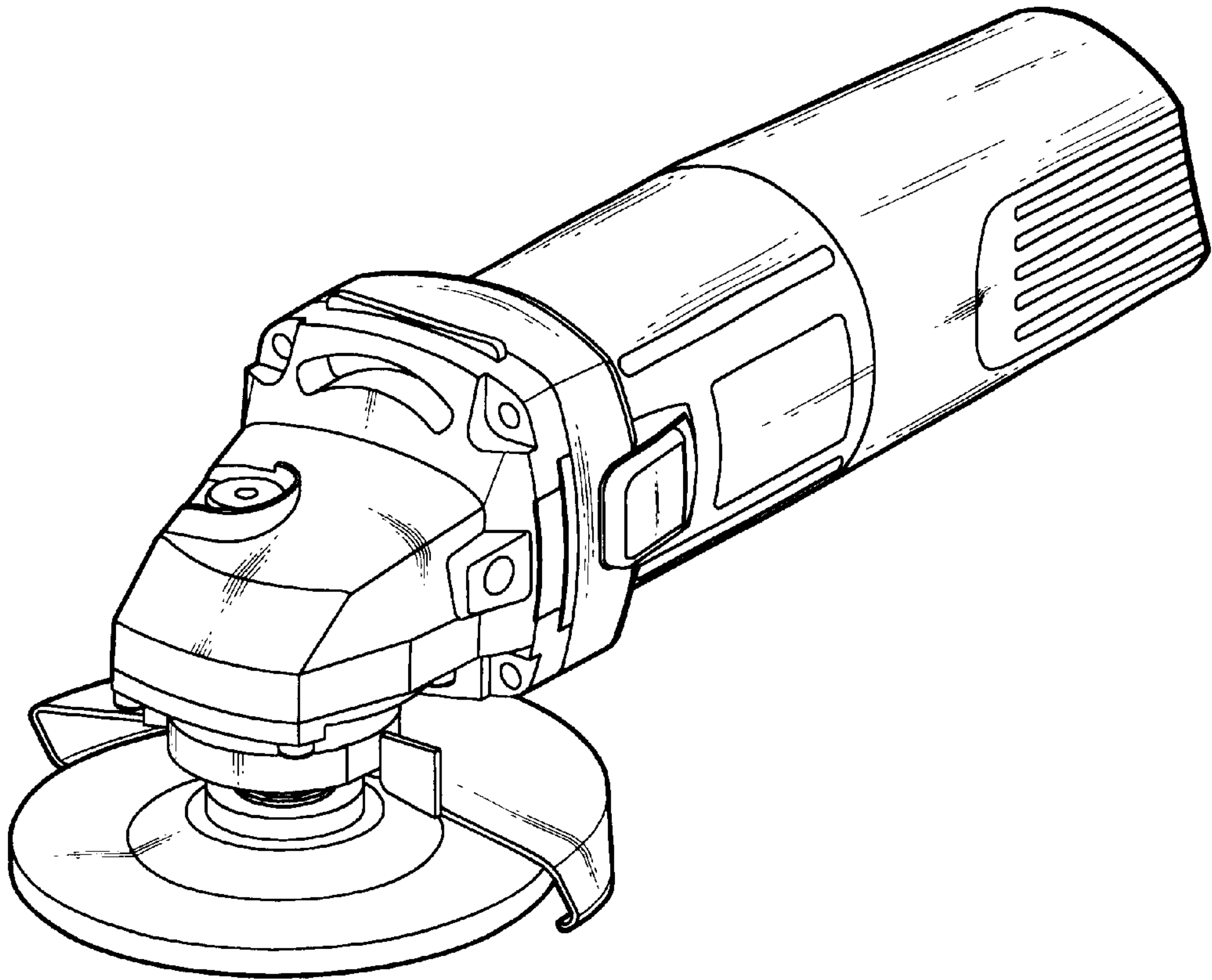


FIG. 2

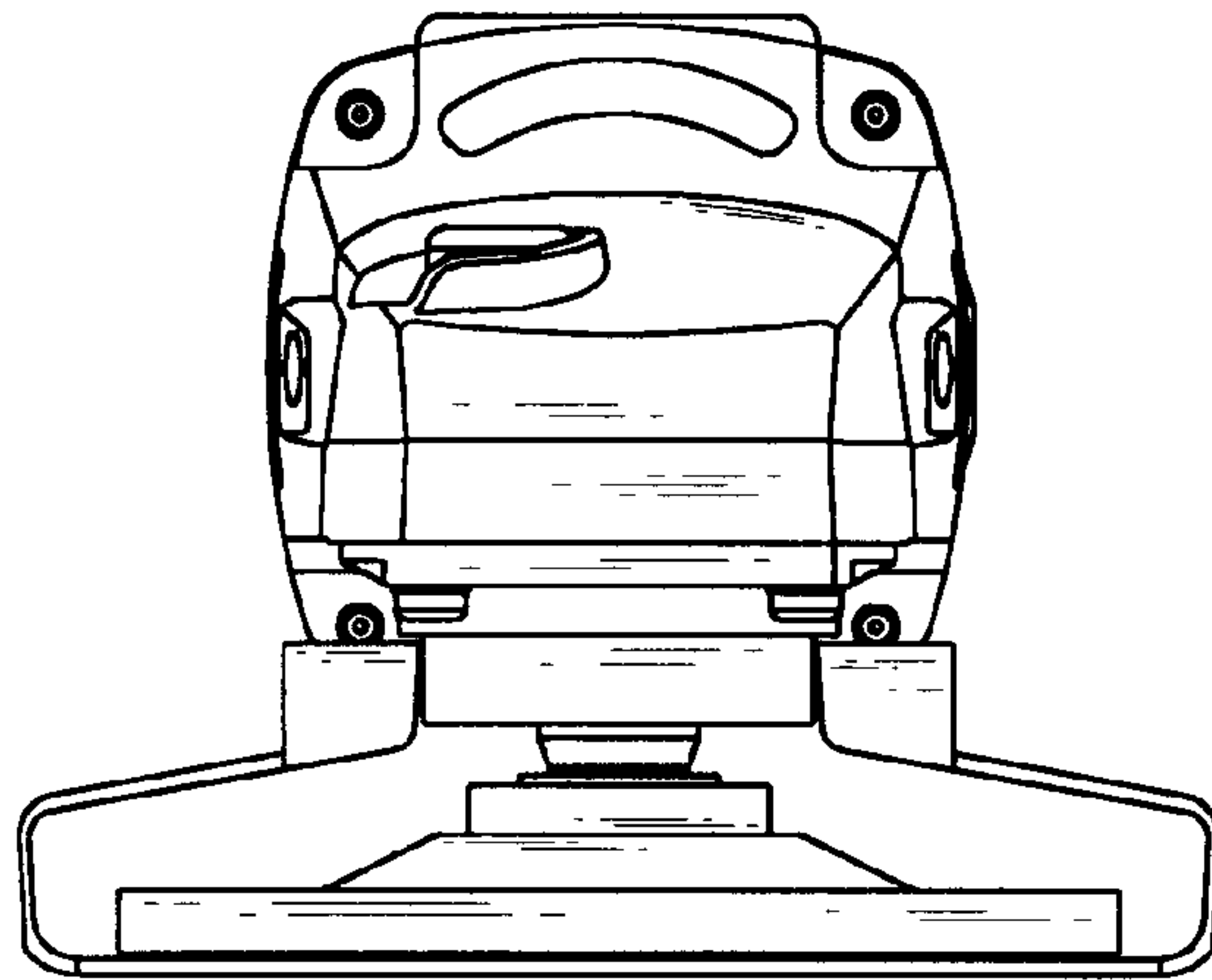


FIG. 3

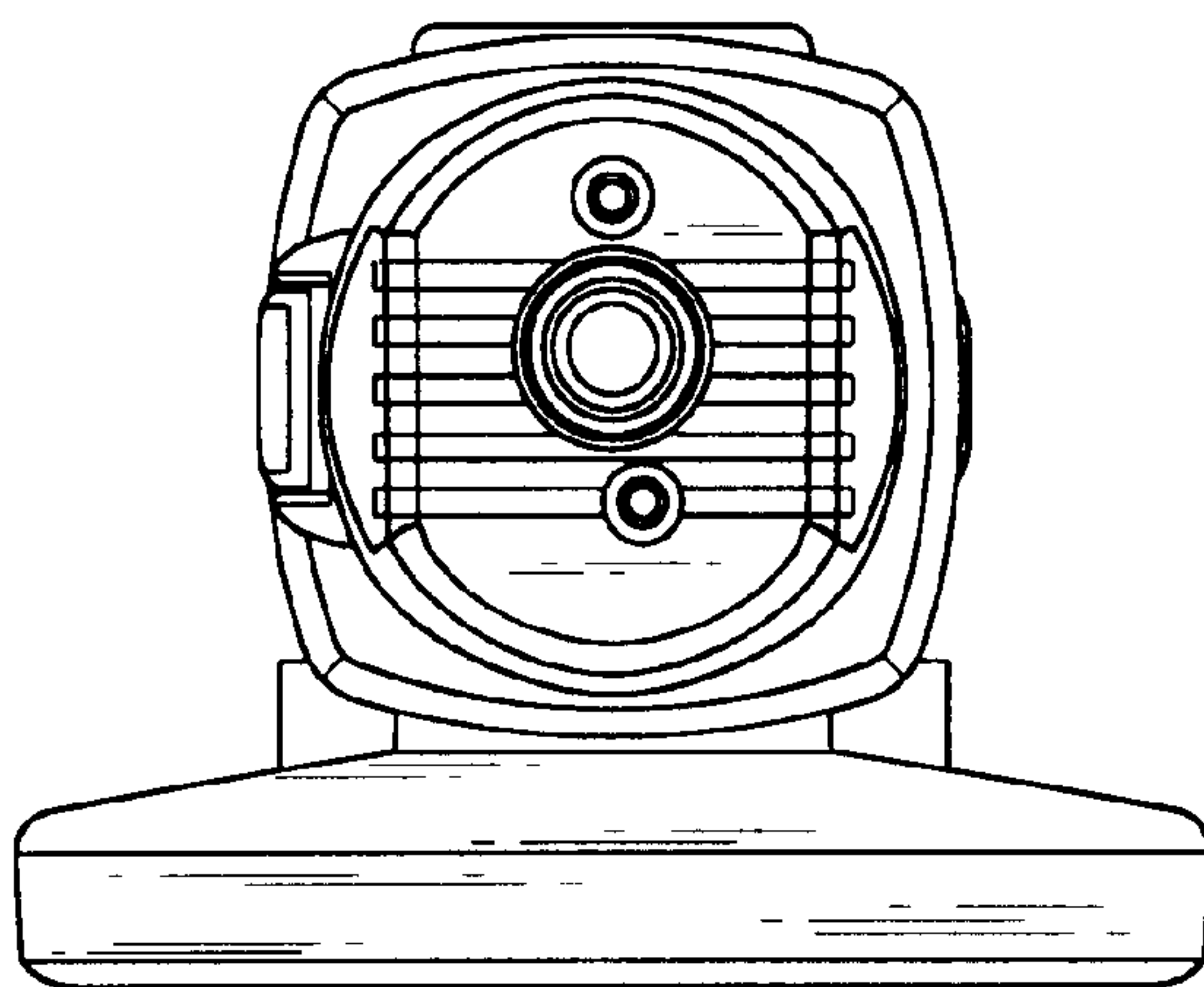


FIG. 4

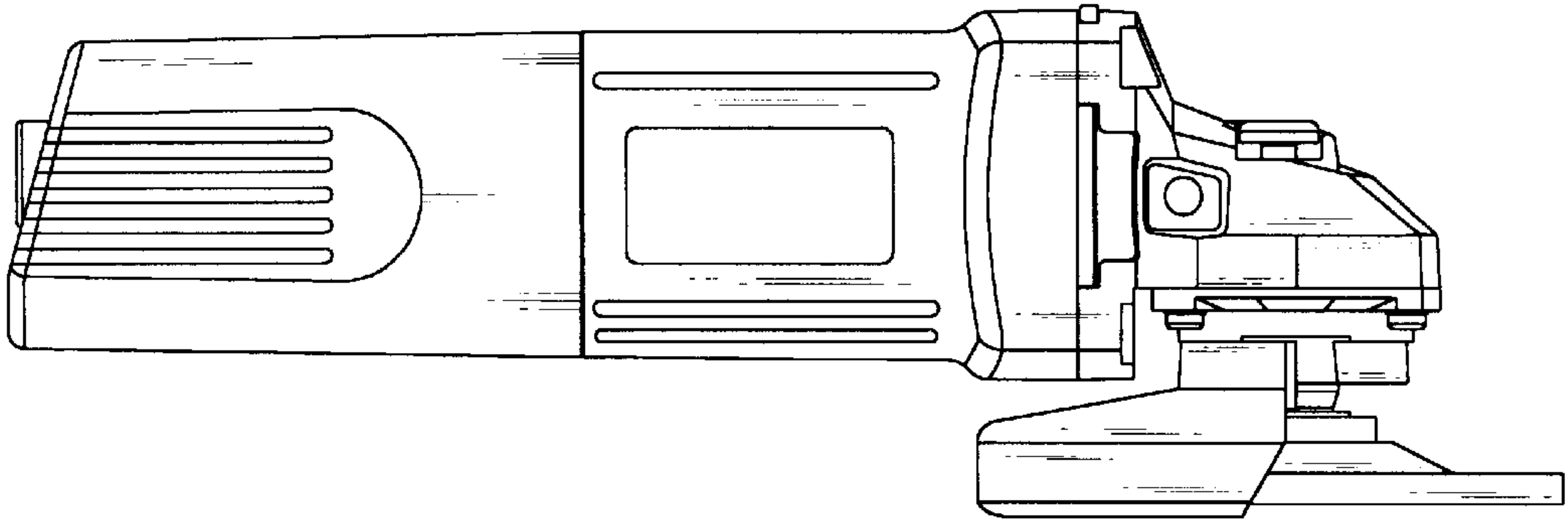


FIG. 5

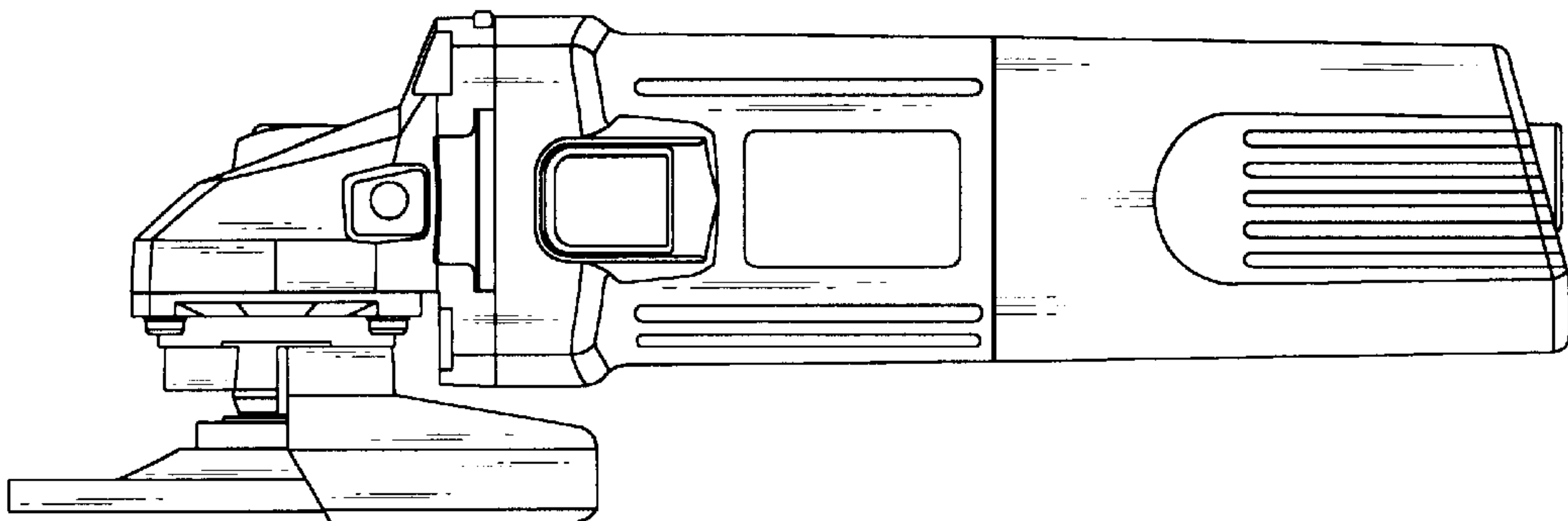


FIG. 6

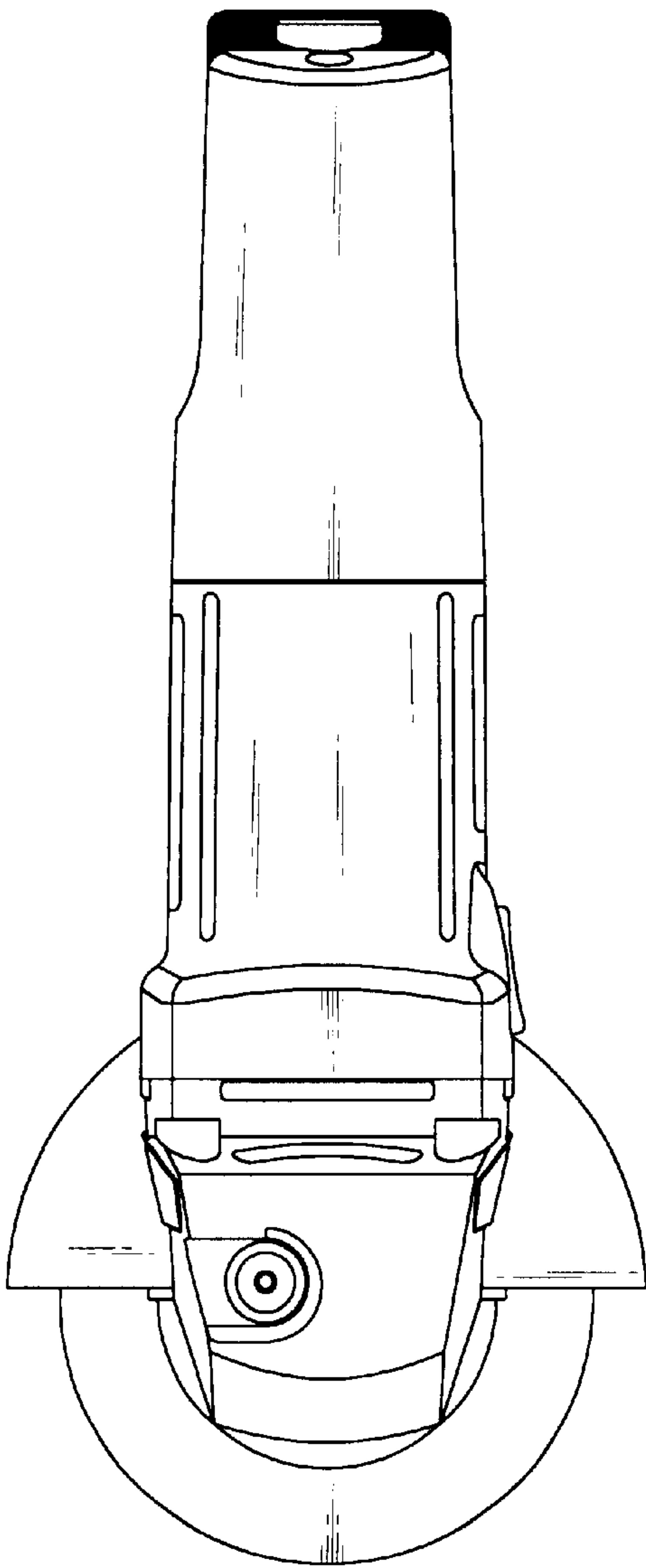


FIG. 7

