



US00D479449S

(12) **United States Design Patent**  
**Kramer et al.**

(10) **Patent No.: US D479,449 S**

(45) **Date of Patent: \*\* Sep. 9, 2003**

(54) **IMPRINTABLE STAPLER**

(76) Inventors: **Jeffrey A. Kramer**, 15959 NW. 15 Ave., Miami, FL (US) 33169; **William W. Rosenfeld**, 15959 NW. 15 Ave., Miami, FL (US) 33169

(\*\*) Term: **14 Years**

(21) Appl. No.: **29/173,759**

(22) Filed: **Jan. 6, 2003**

(51) **LOC (7) Cl. .... 19-02**

(52) **U.S. Cl. .... D8/50; D19/72**

(58) **Field of Search .... D8/49, 50; D19/72; 227/120, 127, 128, 131, 132, 134, 156**

(56) **References Cited**

**U.S. PATENT DOCUMENTS**

D308,324 S	*	6/1990	Oliver	.....	D8/50
D330,666 S	*	11/1992	Chan	.....	D8/50
D352,433 S	*	11/1994	Smith	.....	D8/50
D384,259 S	*	9/1997	Smith	.....	D8/50

5,690,268 A	*	11/1997	Evans et al.	.....	227/156
D422,862 S	*	4/2000	Wilson et al.	.....	D8/50
6,152,347 A	*	11/2000	Wilson et al.	.....	227/134

\* cited by examiner

*Primary Examiner*—Adir Aronovich  
(74) *Attorney, Agent, or Firm*—Malloy & Malloy, P.A.

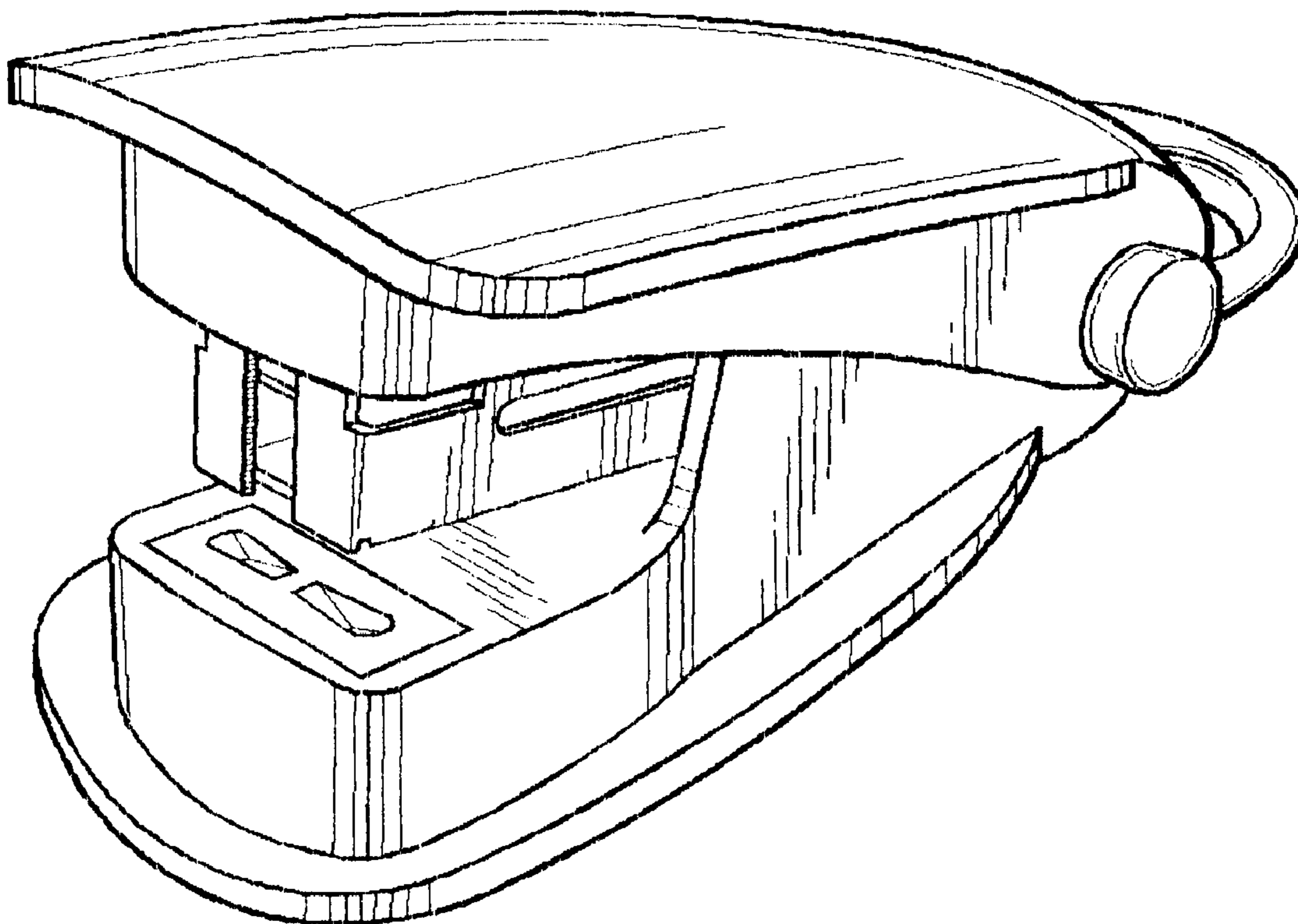
(57) **CLAIM**

The ornamental design for an imprintable stapler, as shown and described.

**DESCRIPTION**

FIG. 1 is a front perspective view illustrating my design for an imprintable stapler;  
FIG. 2 is a front view thereof;  
FIG. 3 is a left side view thereof;  
FIG. 4 is a top view thereof;  
FIG. 5 is a right side view thereof;  
FIG. 6 is a bottom view thereof; and,  
FIG. 7 is a rear view thereof.

**1 Claim, 3 Drawing Sheets**



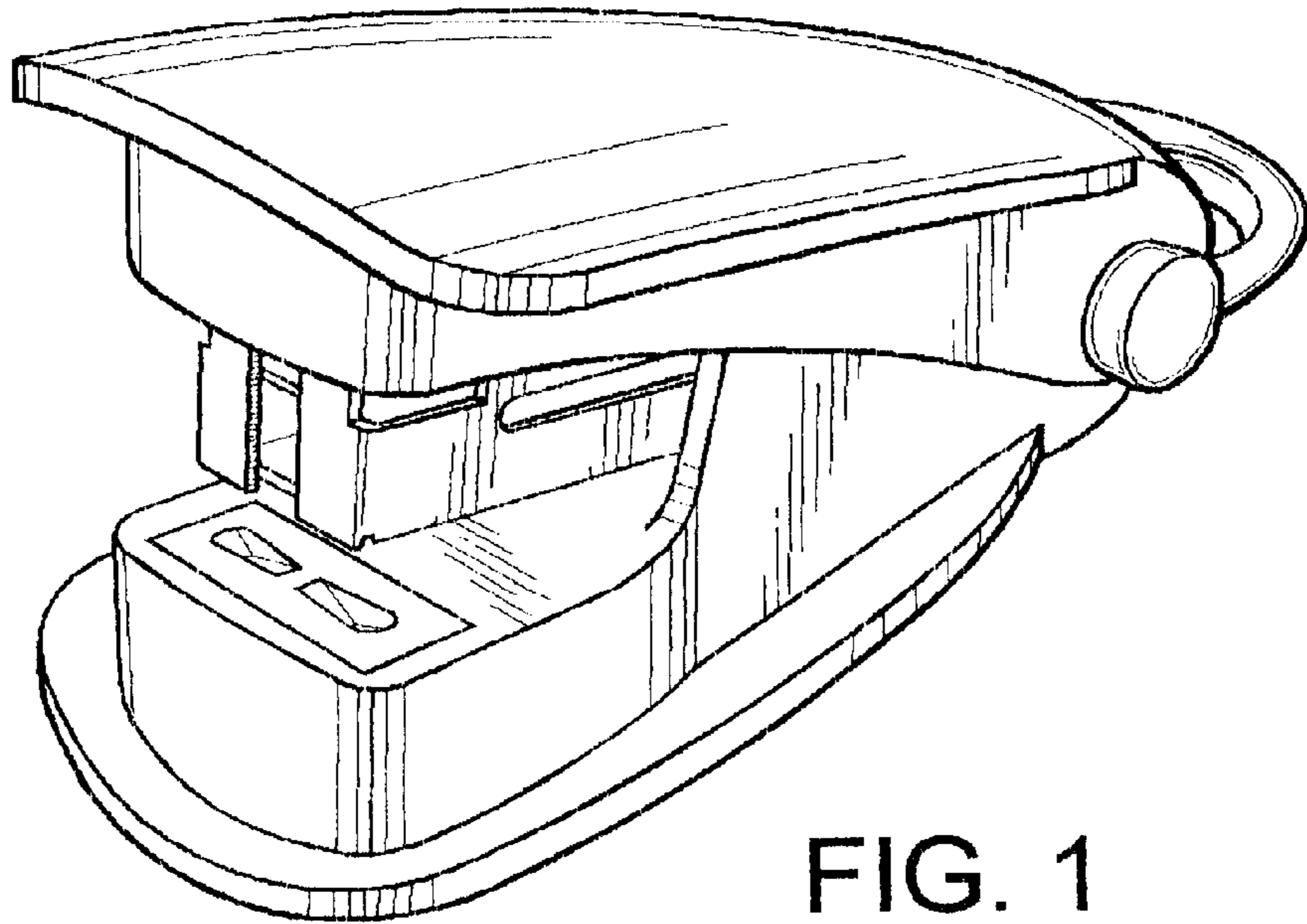


FIG. 1

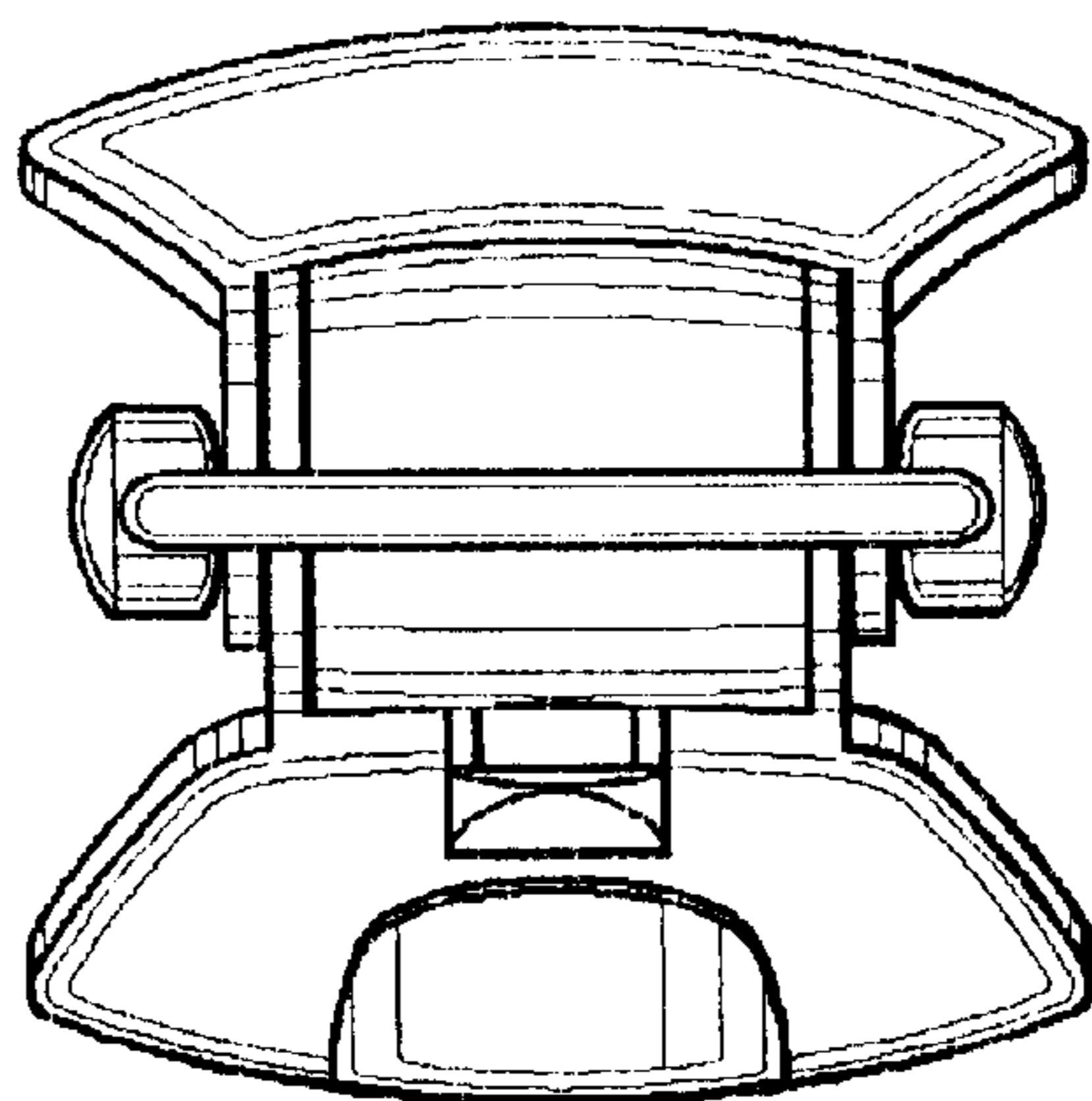


FIG. 7

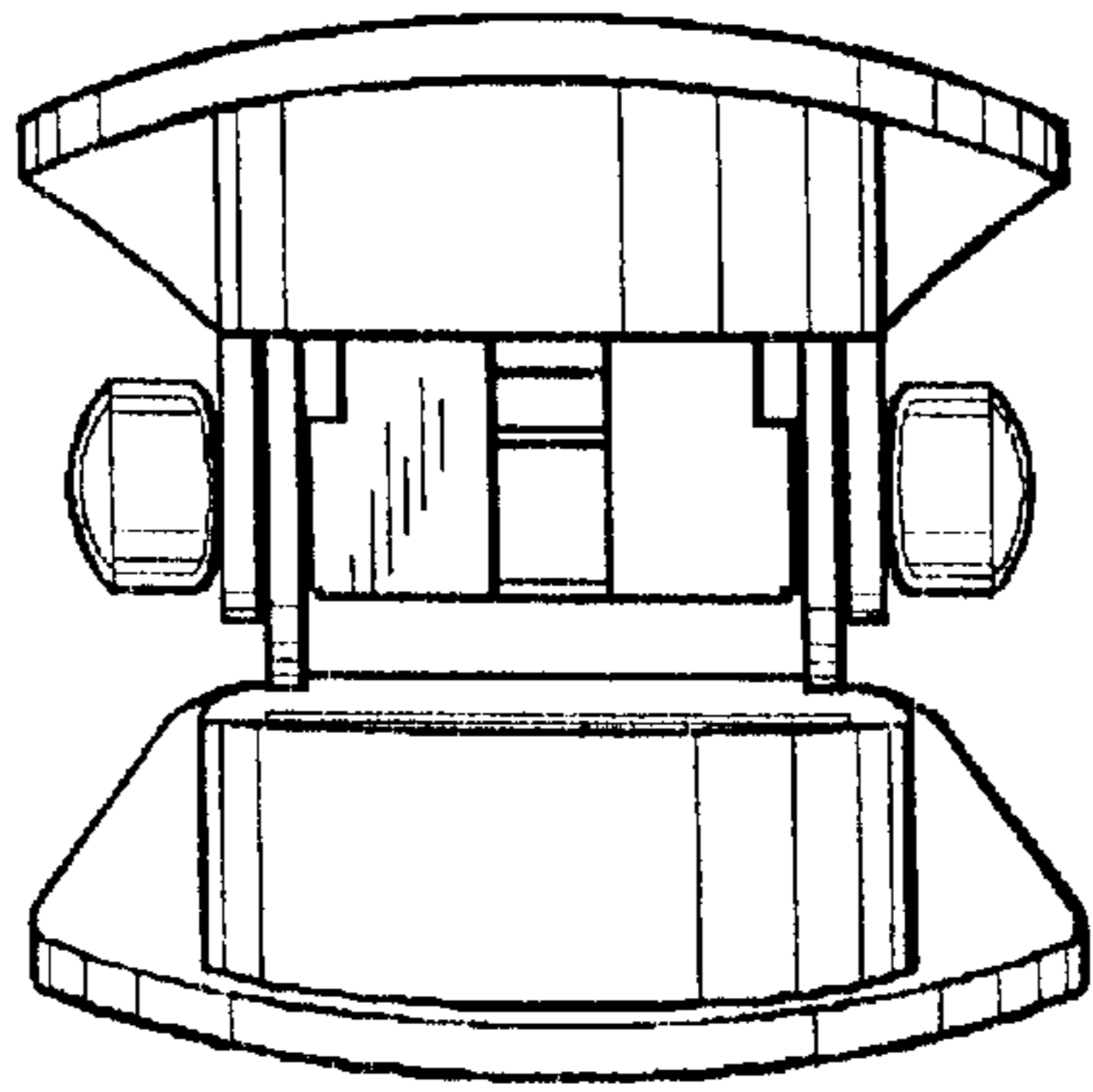


FIG. 2

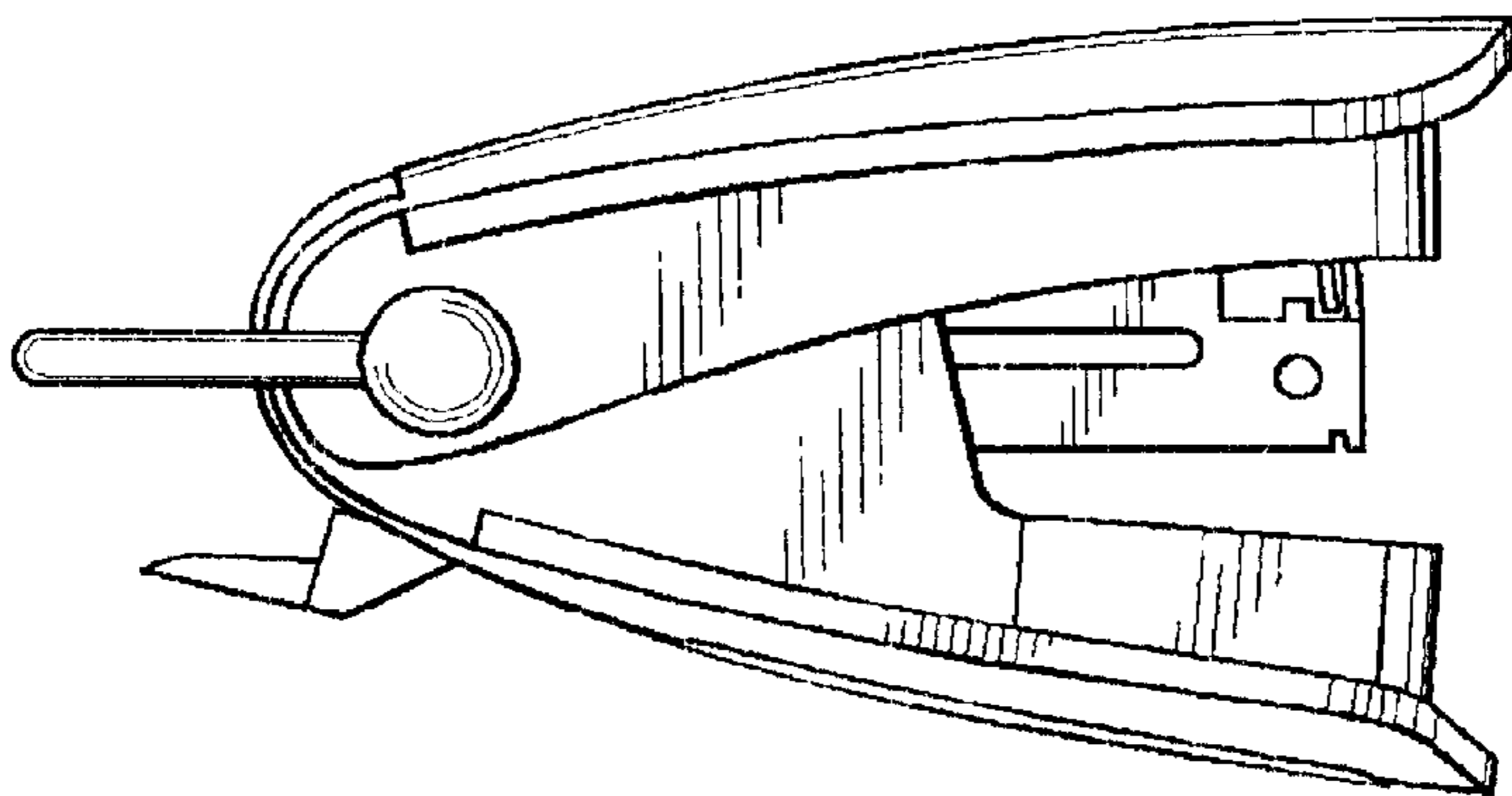


FIG. 3

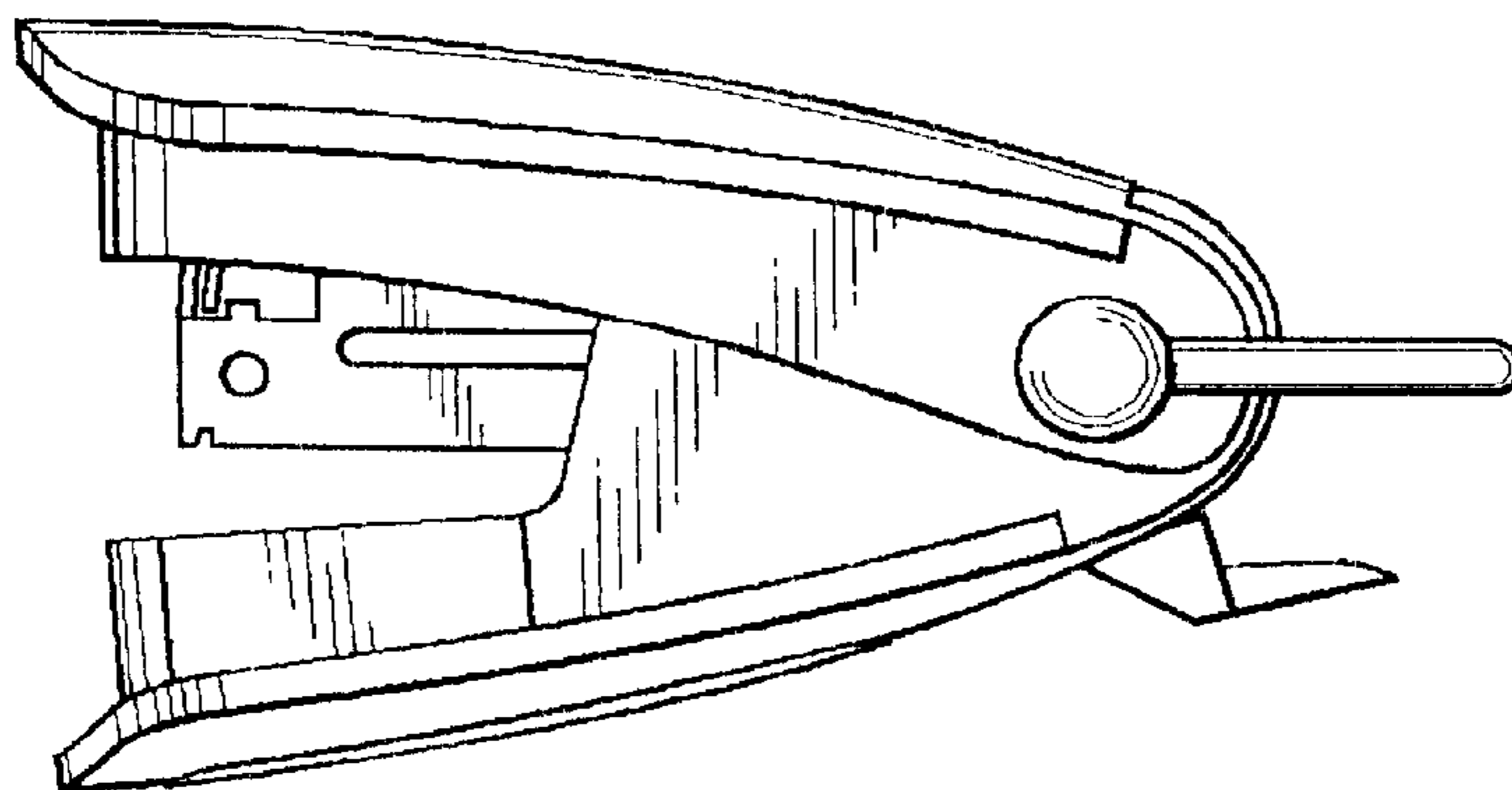


FIG. 5

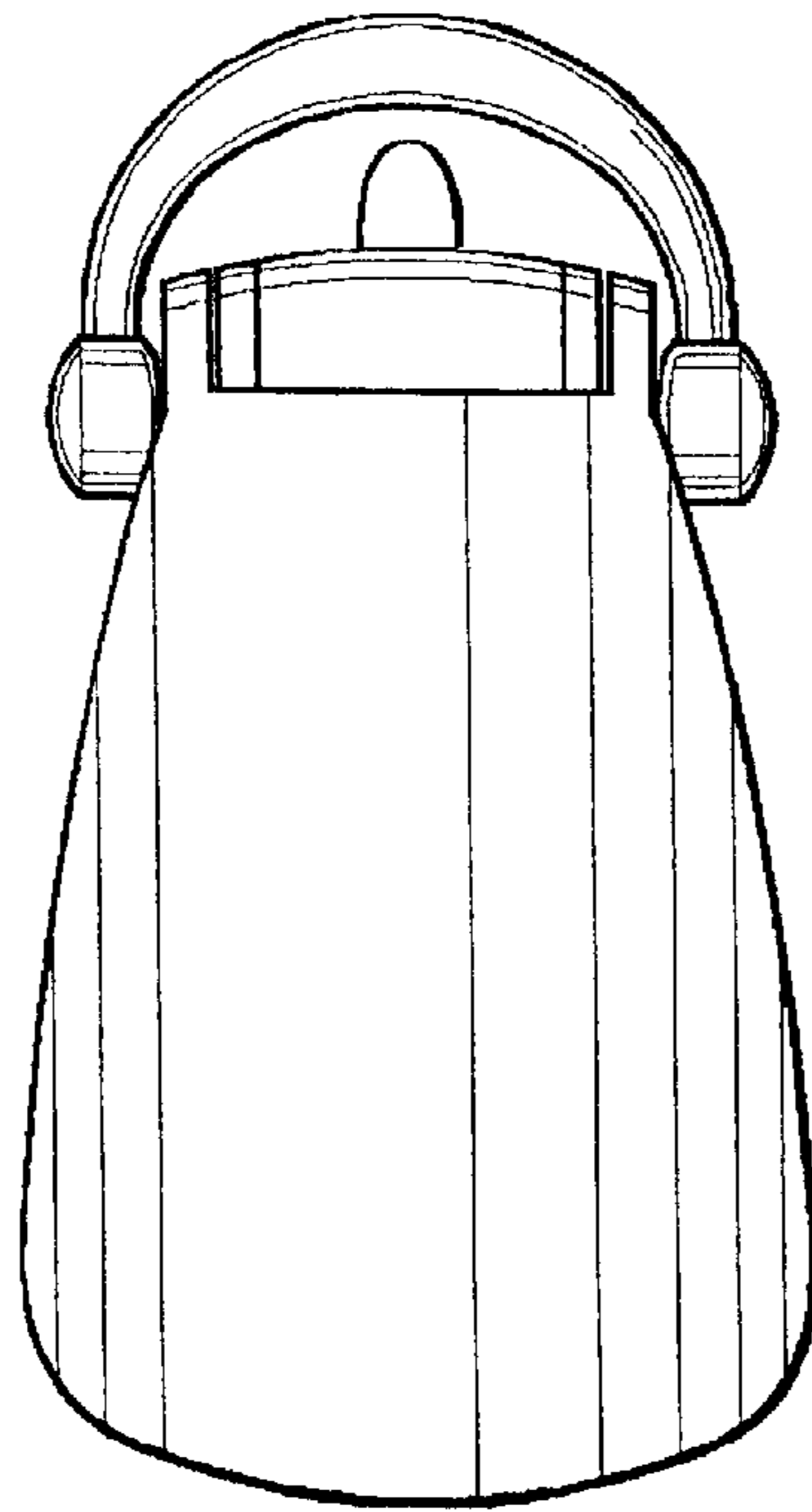


FIG. 4

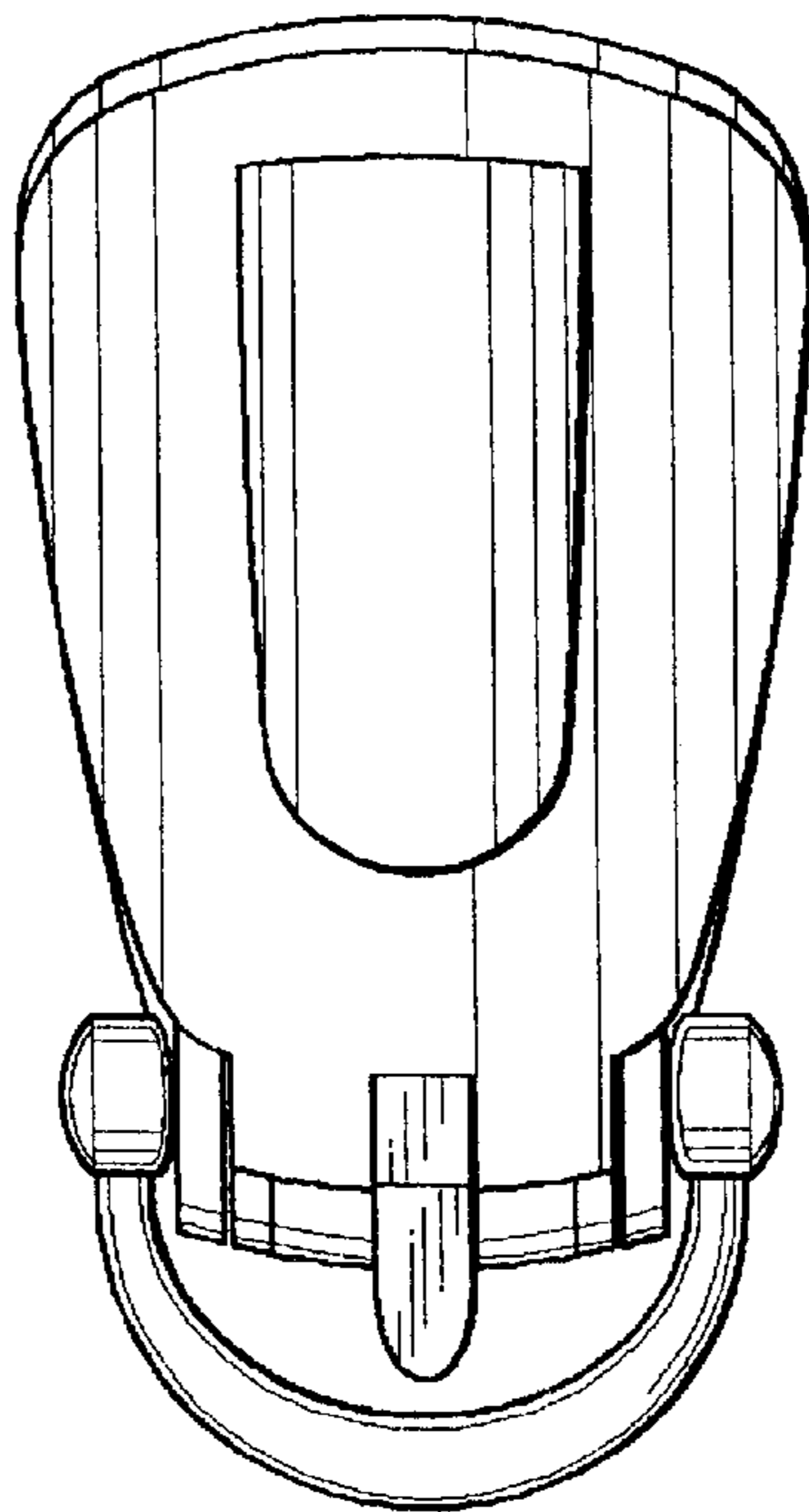


FIG. 6



US00D479449C1

(12) **EX PARTE REEXAMINATION CERTIFICATE** (5241st)  
**United States Patent**  
**Kramer et al.**

(10) **Number:** **US D479,449 C1**  
(45) **Certificate Issued:** **Nov. 29, 2005**

(54) **IMPRINTABLE STAPLER**

(75) **Inventors:** **Jeffrey A. Kramer**, 15959 NW. 15 Ave., Miami, FL (US) 33169; **William W. Rosenfeld**, 15959 NW. Ave., Miami, FL (US) 33169

(73) **Assignees:** **Jeffrey A. Kramer**, Miami, FL (US); **William W. Rosenfeld**, Miami, FL (US)

**Reexamination Request:**  
No. 90/006,804, Oct. 9, 2003

**Reexamination Certificate for:**  
Patent No.: **Des. 479,449**  
Issued: **Sep. 9, 2003**  
Appl. No.: **29/173,759**  
Filed: **Jan. 6, 2003**

(52) **U.S. Cl.** ..... **D8/50**; D19/72  
(58) **Field of Search** ..... D8/49, 50; D19/72;  
227/120, 127, 128, 131, 132, 134, 156

(56) **References Cited**

**U.S. PATENT DOCUMENTS**

D422,862 S \* 4/2000 Wilson et al. .... D8/50

**FOREIGN PATENT DOCUMENTS**

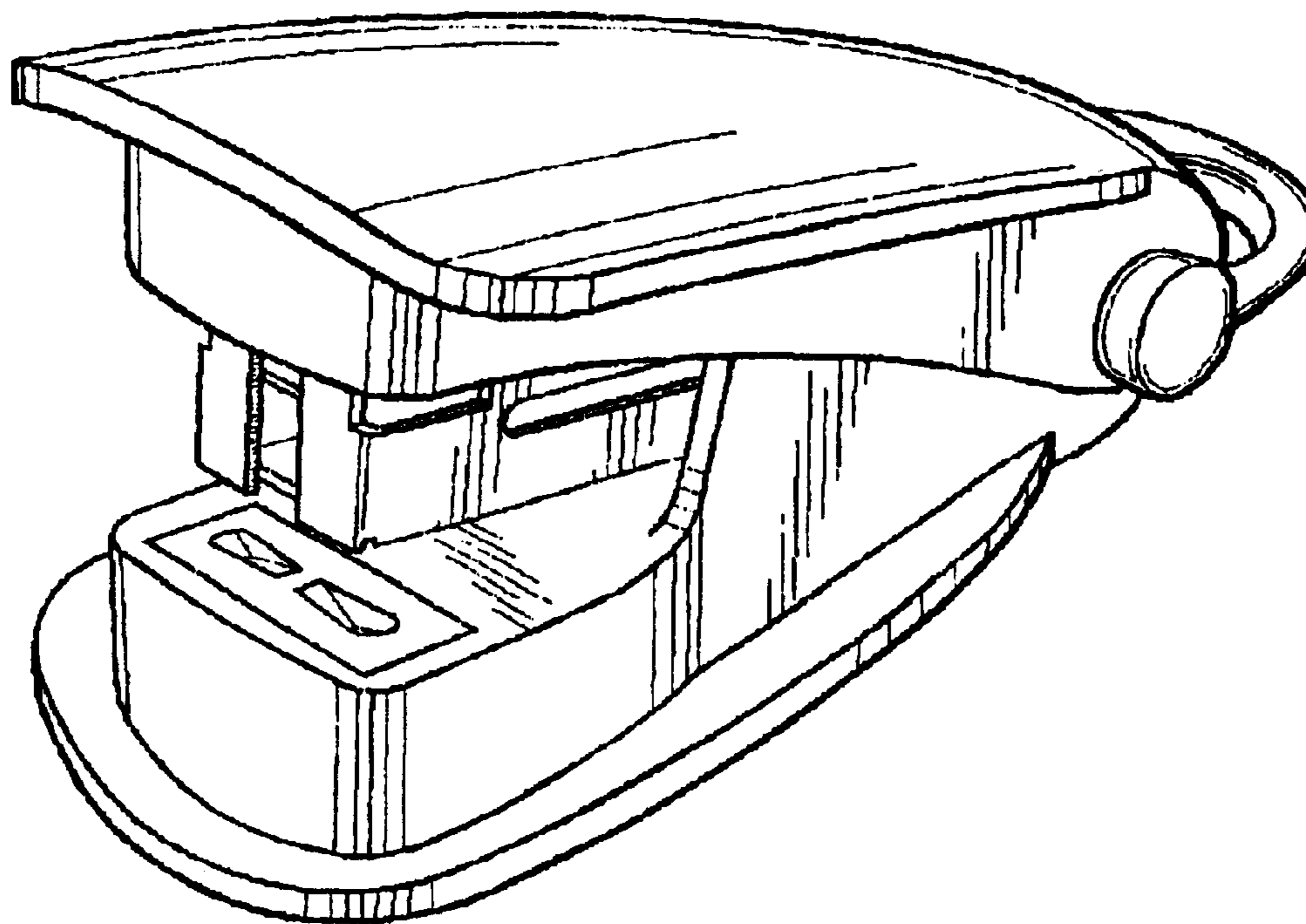
HK 0111417.8M001 10/2000

**OTHER PUBLICATIONS**

Government of Hong Kong Special Administrative Region  
Gazette, Oct. 19, 2001, p. PN/14226.

\* cited by examiner

(51) **LOC (6) Cl.** ..... **19-02** *Primary Examiner*—Philip S. Hyder



**1**  
**EX PARTE**  
**REEXAMINATION CERTIFICATE**  
**ISSUED UNDER 35 U.S.C. 307**  
**THE PATENT IS HEREBY**  
**AMENDED AS INDICATED**  
**BELOW.**

**2**  
AS A RESULT OF REEXAMINATION, IT HAS BEEN  
DETERMINED THAT:

5 The single design claim is cancelled.

\* \* \* \* \*