



US00D479448S

(12) **United States Design Patent**
Yang

(10) **Patent No.:** **US D479,448 S**

(45) **Date of Patent:** **** Sep. 9, 2003**

(54) **HAMMER TACKER GRIP**

(75) Inventor: **Brad Yang**, Taichung Hsien (TW)

(73) Assignee: **Testo Industry Corp.** (TW)

(**) Term: **14 Years**

(21) Appl. No.: **29/166,270**

(22) Filed: **Aug. 26, 2002**

(51) **LOC (7) Cl.** **19-02**

(52) **U.S. Cl.** **D8/49; D8/107**

(58) **Field of Search** **D8/49, 50, 51,**
D8/75, 61, 107; 227/133, 109, 120, 147,
132

(56) **References Cited**

U.S. PATENT DOCUMENTS

D148,032 S	*	12/1947	Lindstrom	D8/49
2,463,579 A	*	3/1949	Vail	227/147
2,501,703 A	*	3/1950	Wember	227/133
D166,944 S	*	6/1952	Beckman	D8/49
D168,517 S	*	12/1952	Marano	D8/49
2,664,565 A	*	1/1954	Percoco	227/120
D324,476 S	*	3/1992	King, III	D8/107
D417,375 S	*	12/1999	Fealey et al.	D8/49

6,179,194 B1 * 1/2001 Morton 227/133

* cited by examiner

Primary Examiner—Philip S. Hyder

(74) *Attorney, Agent, or Firm*—Donald C. Casey

(57) **CLAIM**

The ornamental design for a hammer tacker grip, as shown and described herein.

DESCRIPTION

FIG. 1 is a top perspective view of the hammer tacker grip of this invention.

FIG. 2 is a right side view of the hammer tacker grip of this invention;

FIG. 3 is a left side view of the hammer tacker grip of this invention;

FIG. 4 is a end view of the hammer tacker grip of this invention;

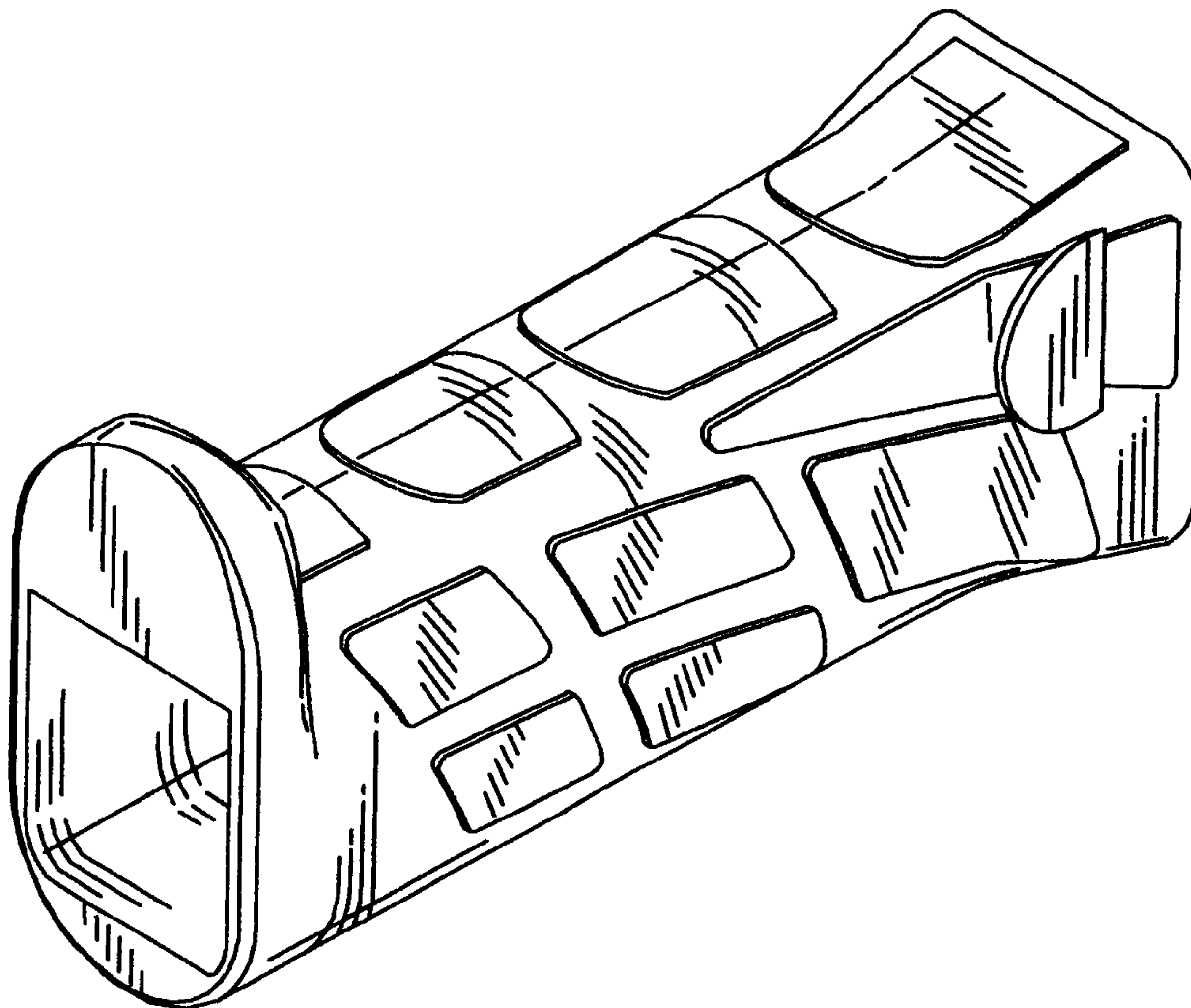
FIG. 5 is a end view of the hammer tacker grip of this invention;

FIG. 6 is a top view of the hammer tacker grip of this invention;

FIG. 7 is a bottom view of the hammer tacker grip of this invention; and,

FIG. 8 is a bottom perspective view of the hammer tacker grip of this invention.

1 Claim, 4 Drawing Sheets



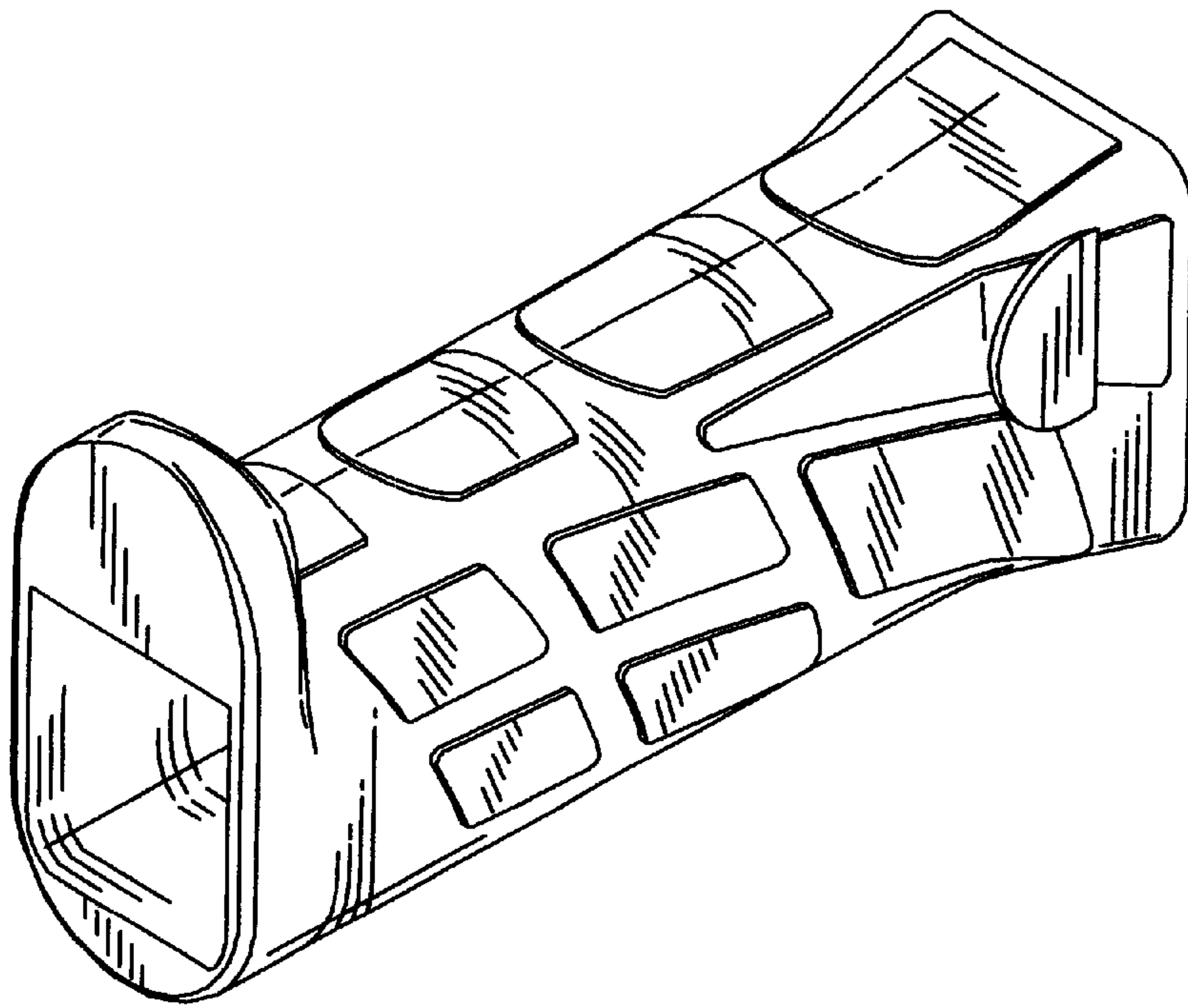


FIG. 1

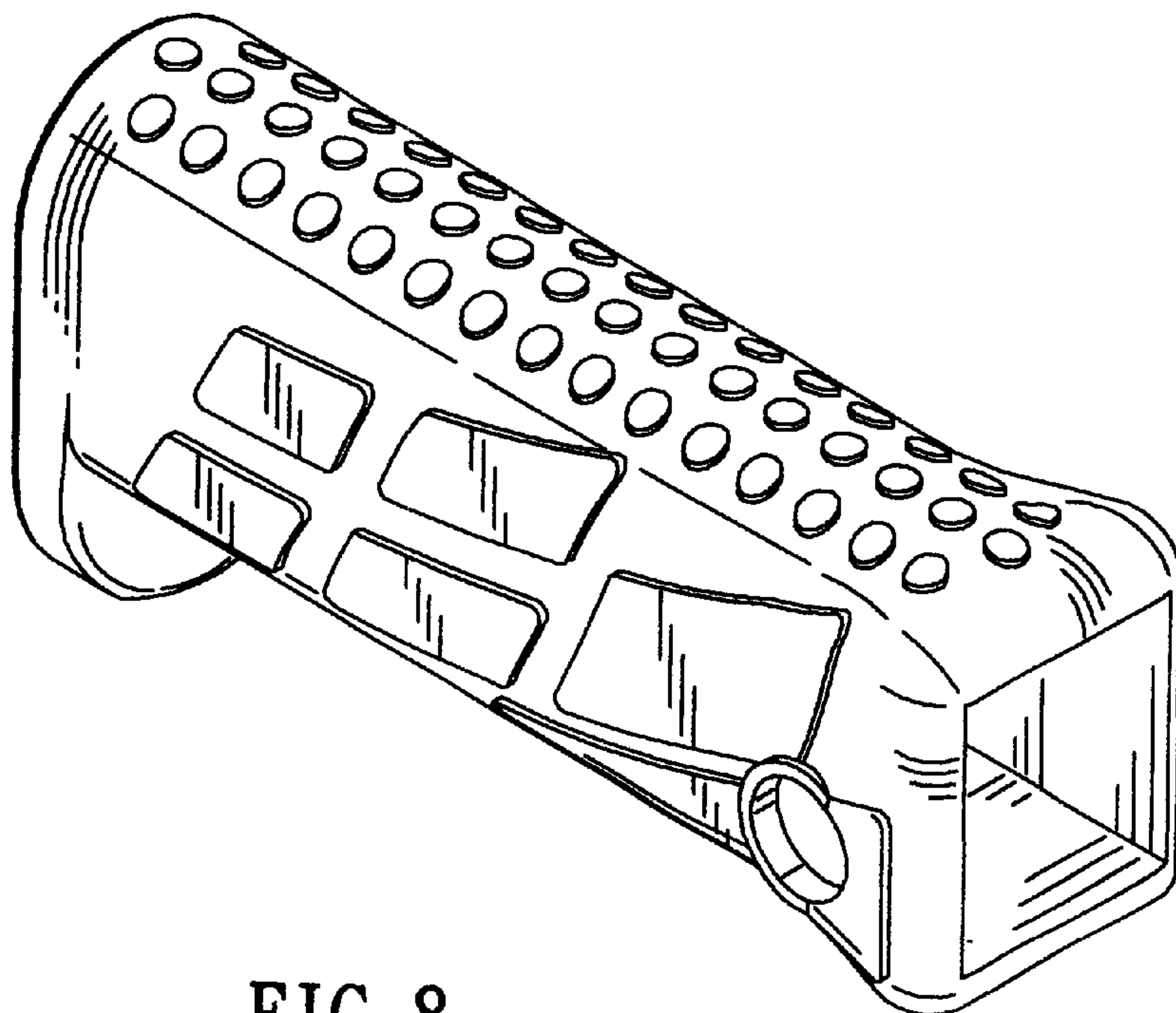


FIG. 8

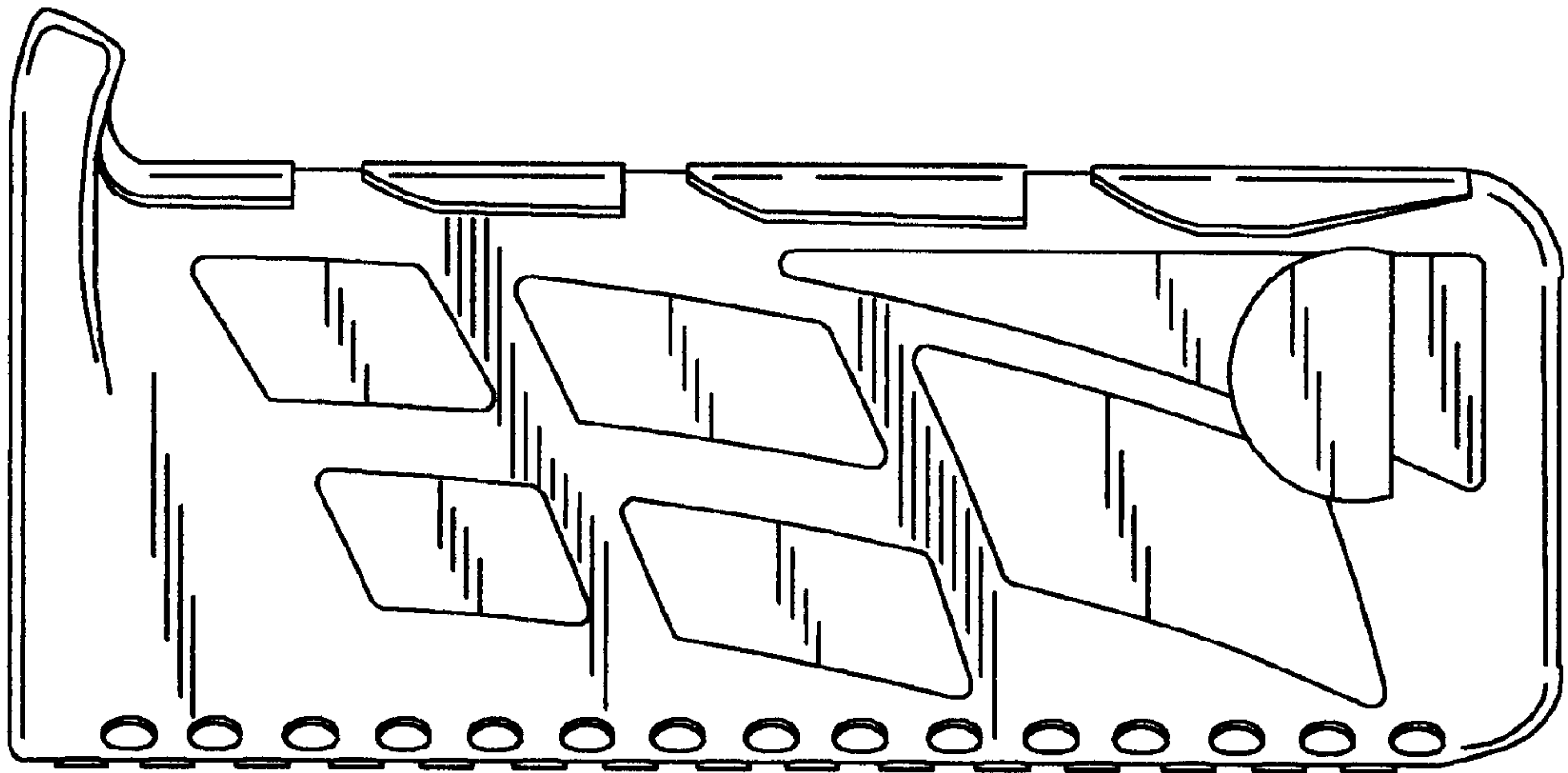


FIG. 2

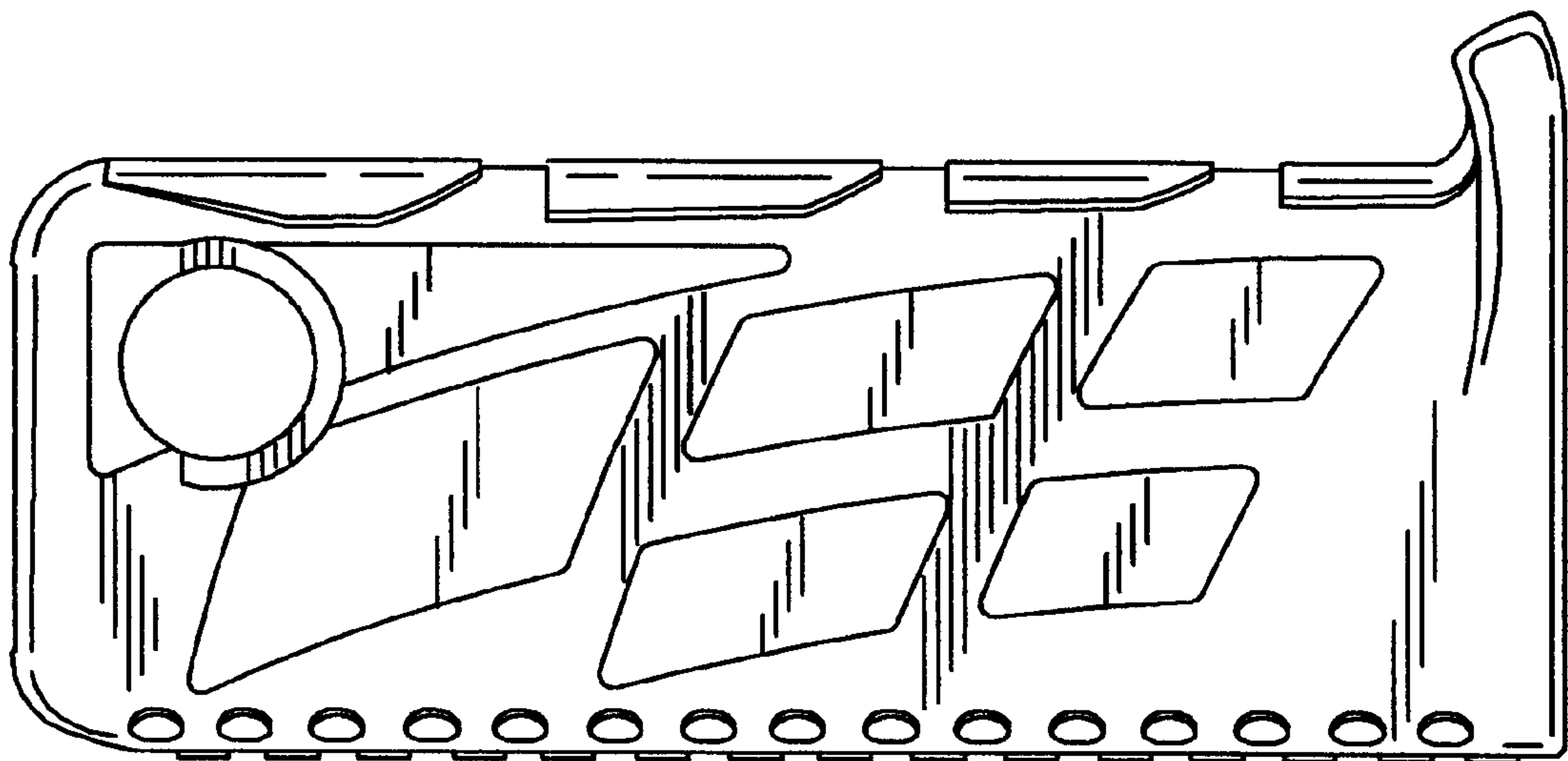


FIG. 3

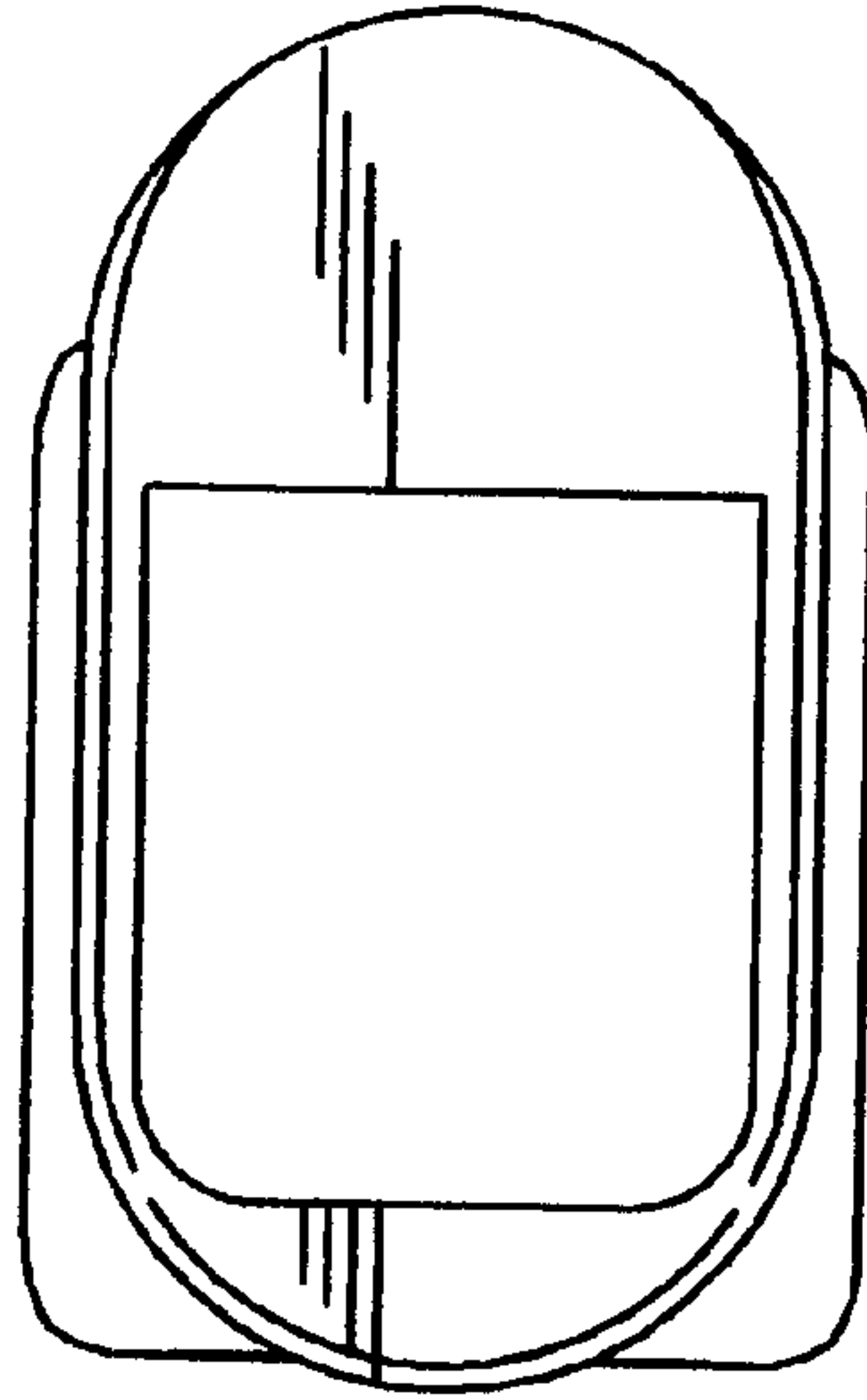


FIG. 4

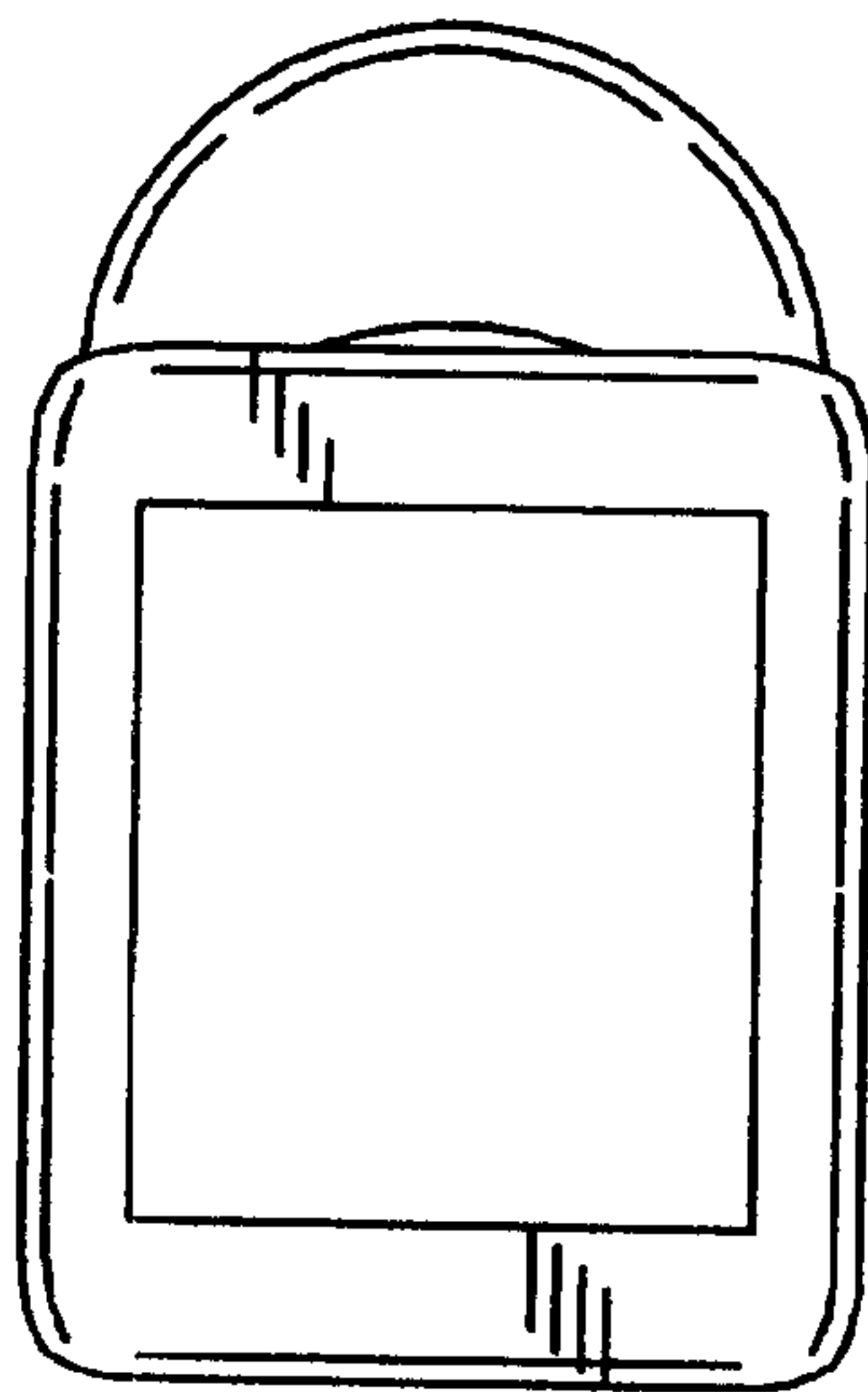


FIG. 5

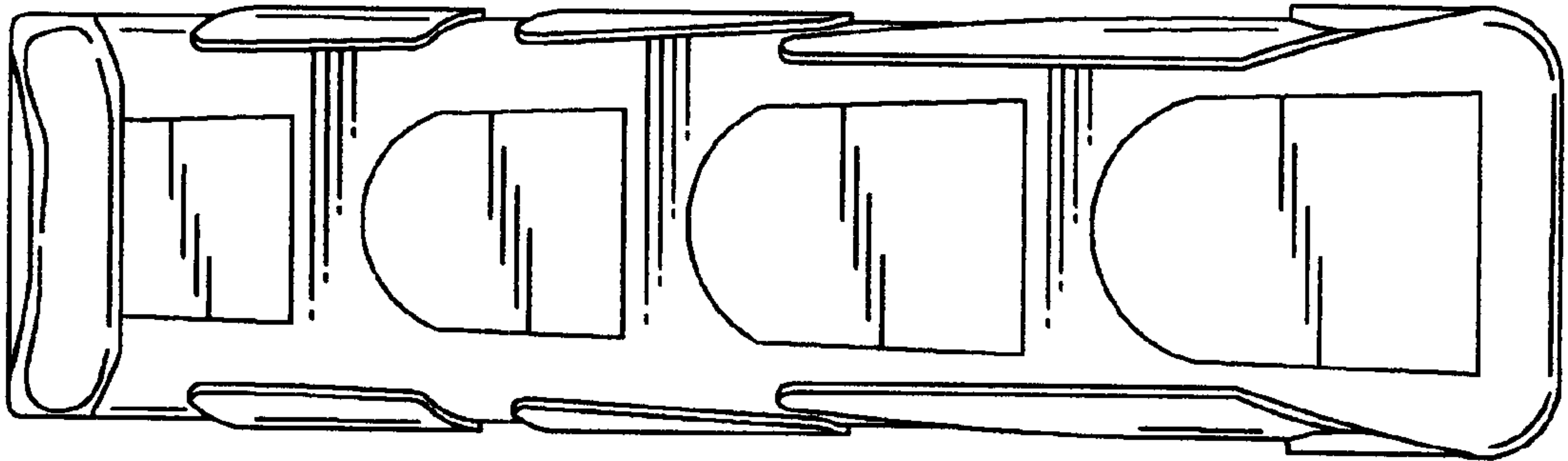


FIG. 6

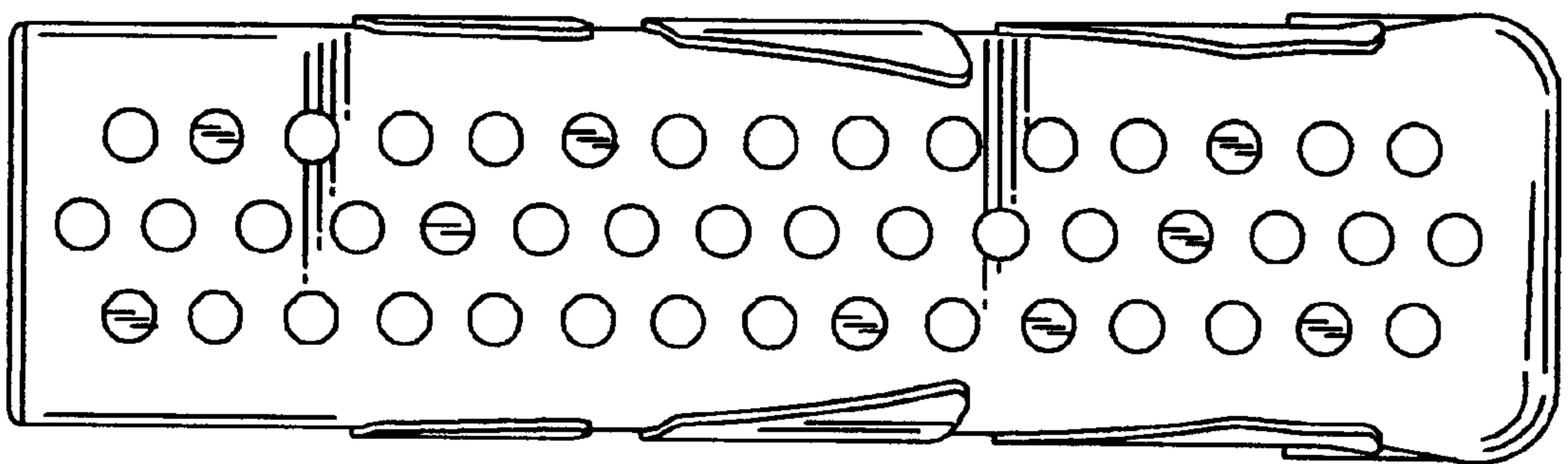


FIG. 7