



US00D479444S

(12) **United States Design Patent**
Conigliaro

(10) **Patent No.:** **US D479,444 S**

(45) **Date of Patent:** **** Sep. 9, 2003**

(54) **BARBEQUE SKEWER**

(76) Inventor: **Paul G. Conigliaro**, 236 W. 68th St.,
Long Beach, CA (US) 90805

(**) Term: **14 Years**

(21) Appl. No.: **29/165,973**

(22) Filed: **Aug. 21, 2002**

(51) **LOC (7) Cl.** **07-02**

(52) **U.S. Cl.** **D7/683**

(58) **Field of Search** D7/682-697; 30/322,
30/323, 123, 142; 99/419, 441, 421 A,
339; 294/5, 26, 50, 55.5, 61

(56) **References Cited**

U.S. PATENT DOCUMENTS

3,078,787 A * 2/1963 Arseneault 99/419

4,126,086 A * 11/1978 Valade 99/419

D330,492 S * 10/1992 Brown D7/683

D425,379 S * 5/2000 Clausen D7/683

* cited by examiner

Primary Examiner—Terry A. Wallace

(57) **CLAIM**

The ornamental design for a barbeque skewer, as shown and described.

DESCRIPTION

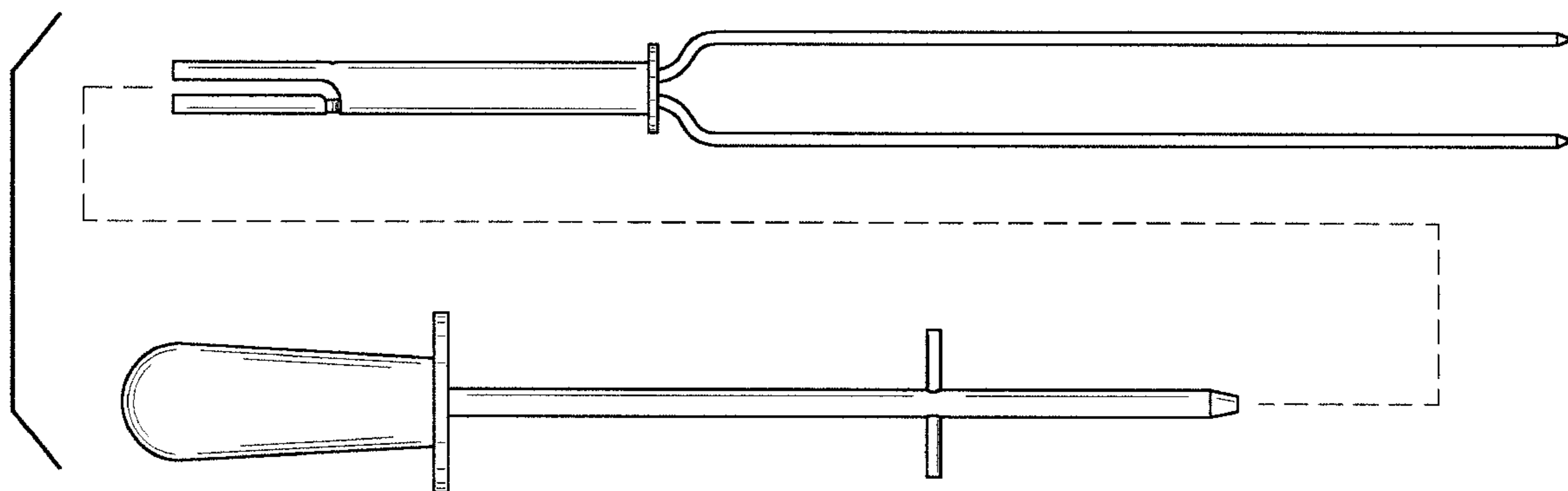
FIG. 1 is a side view of a barbeque skewer showing my new design.

FIG. 2 is an enlarged back end view of the barbeque skewer.

FIG. 3 is an enlarged front end view of the barbeque skewer; and,

FIG. 4 is another side view of the barbeque skewer.

1 Claim, 4 Drawing Sheets



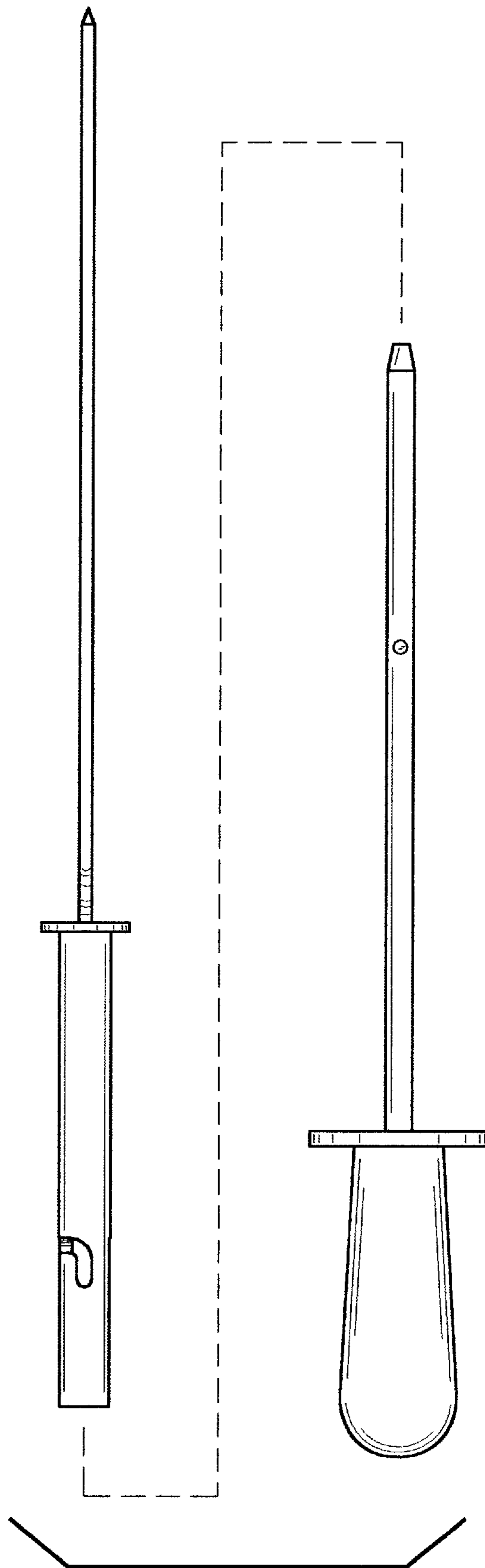


FIG. 1

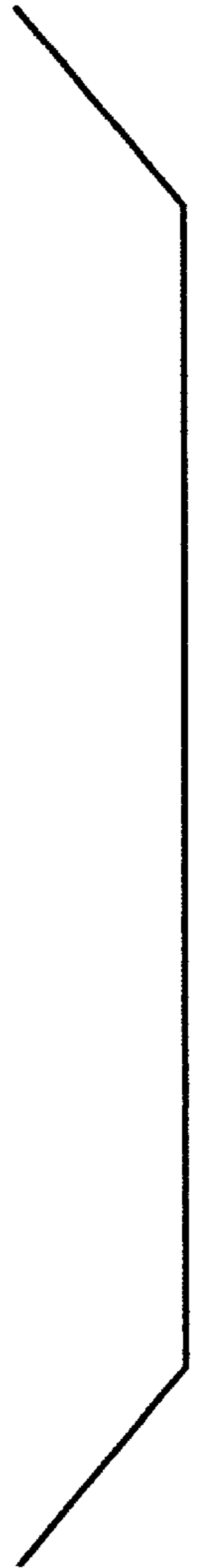
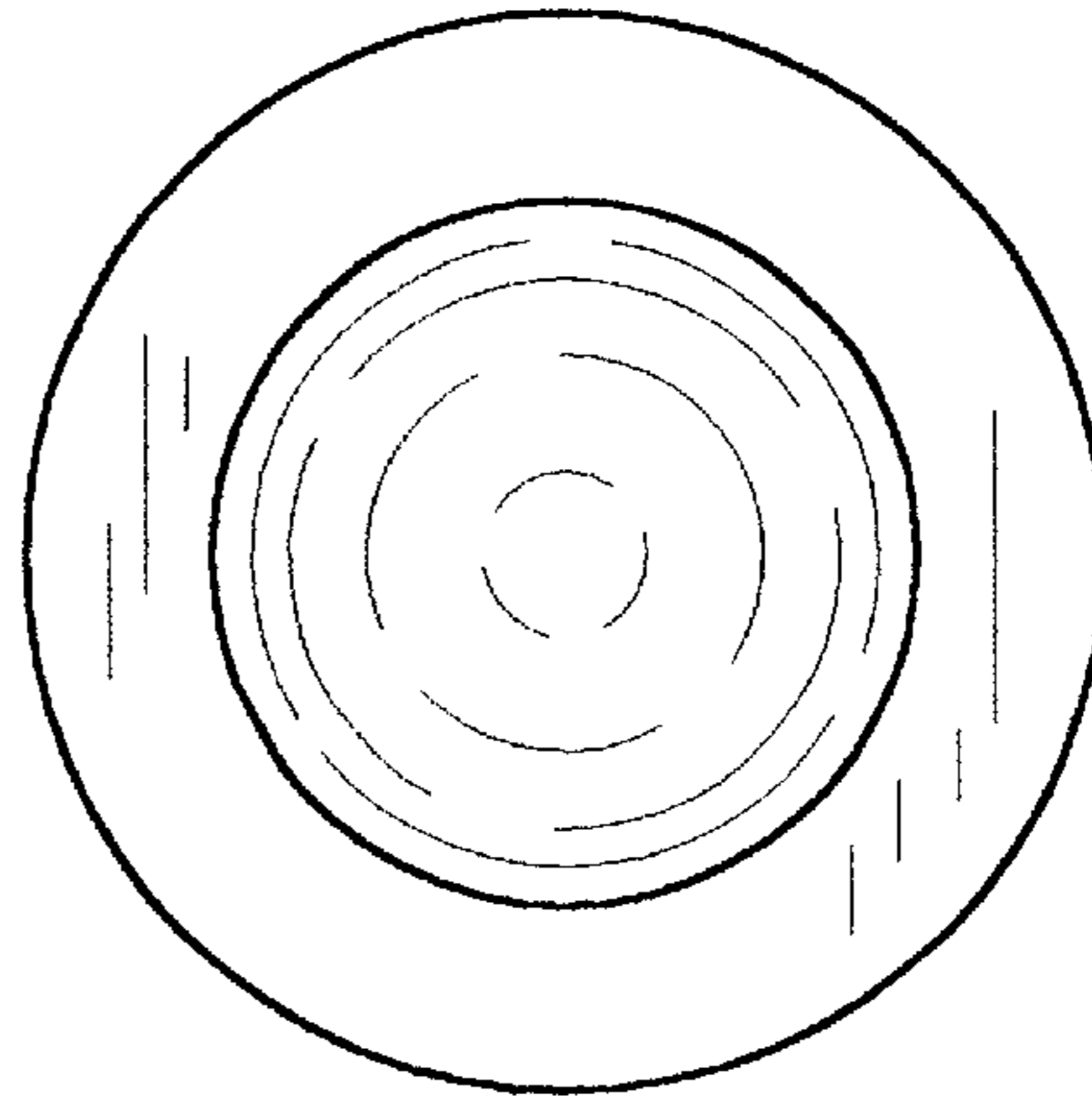
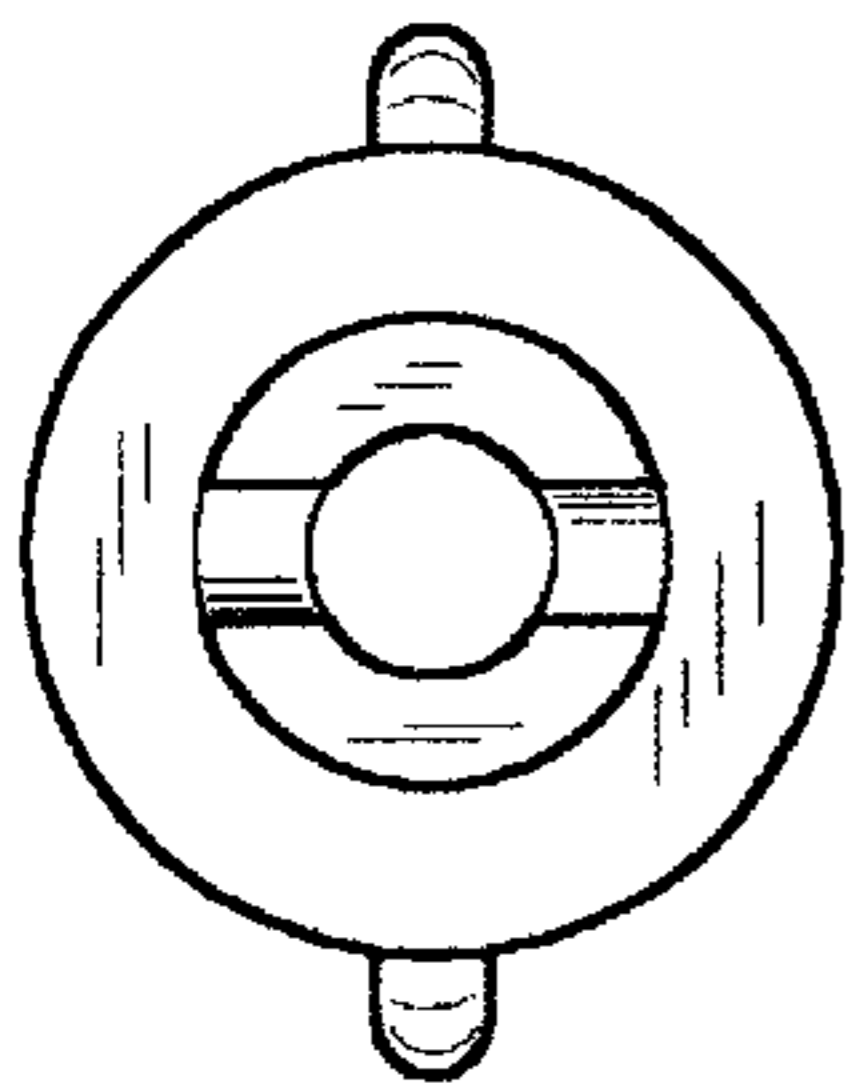


FIG. 2

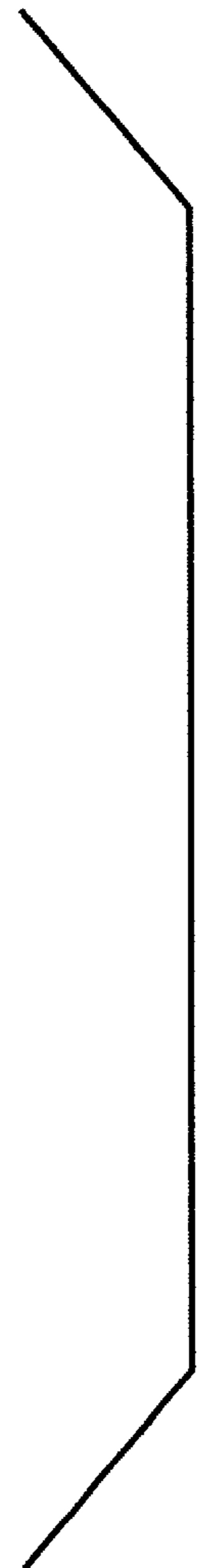
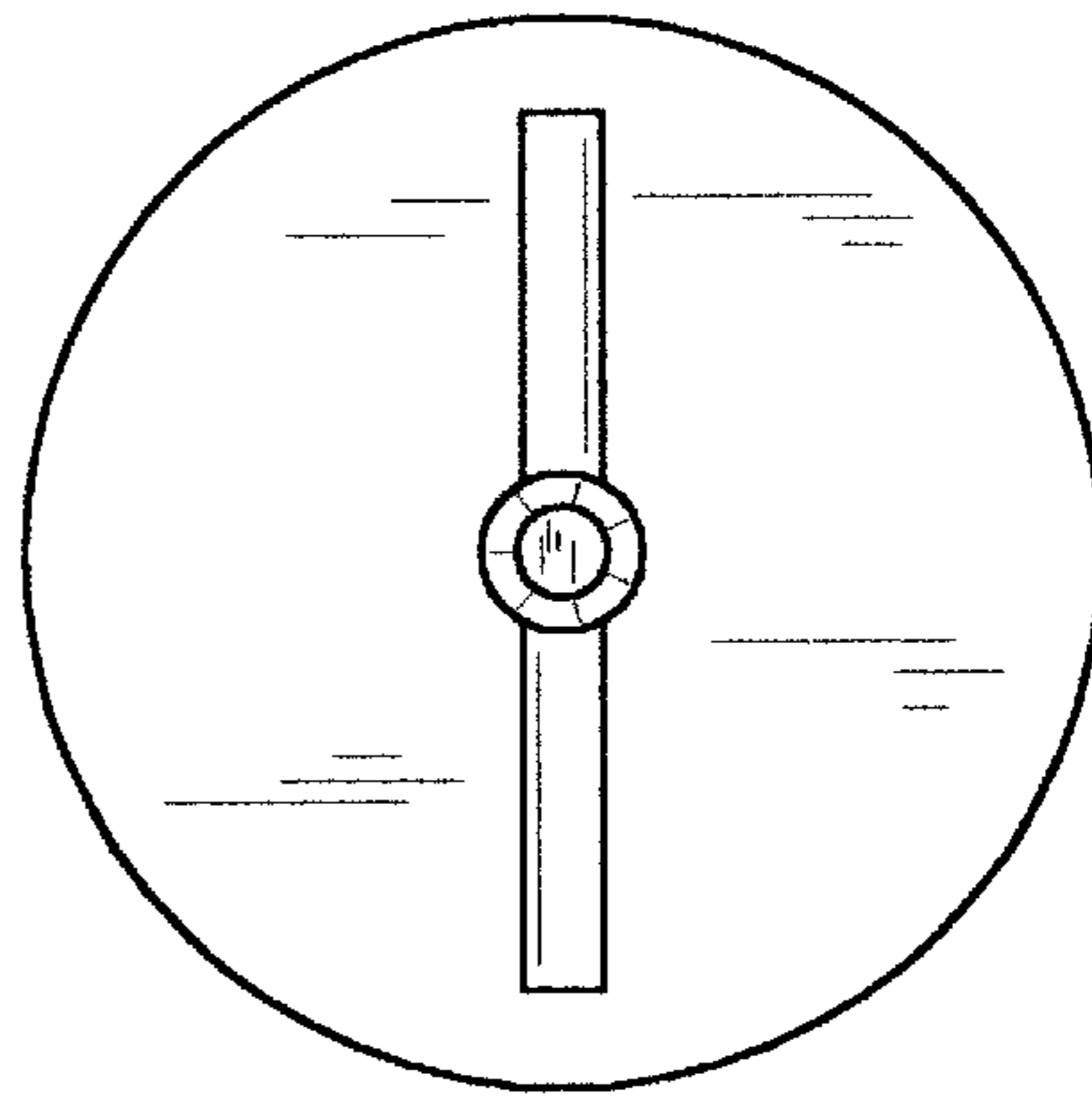
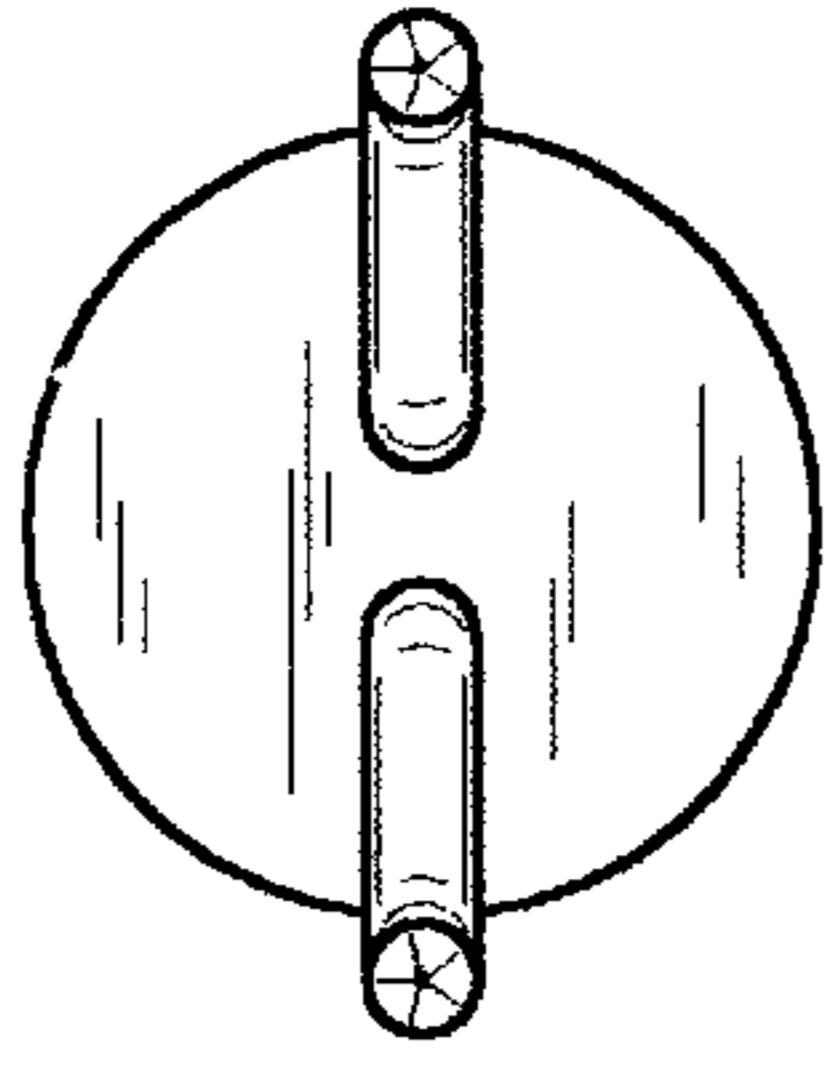


FIG. 3

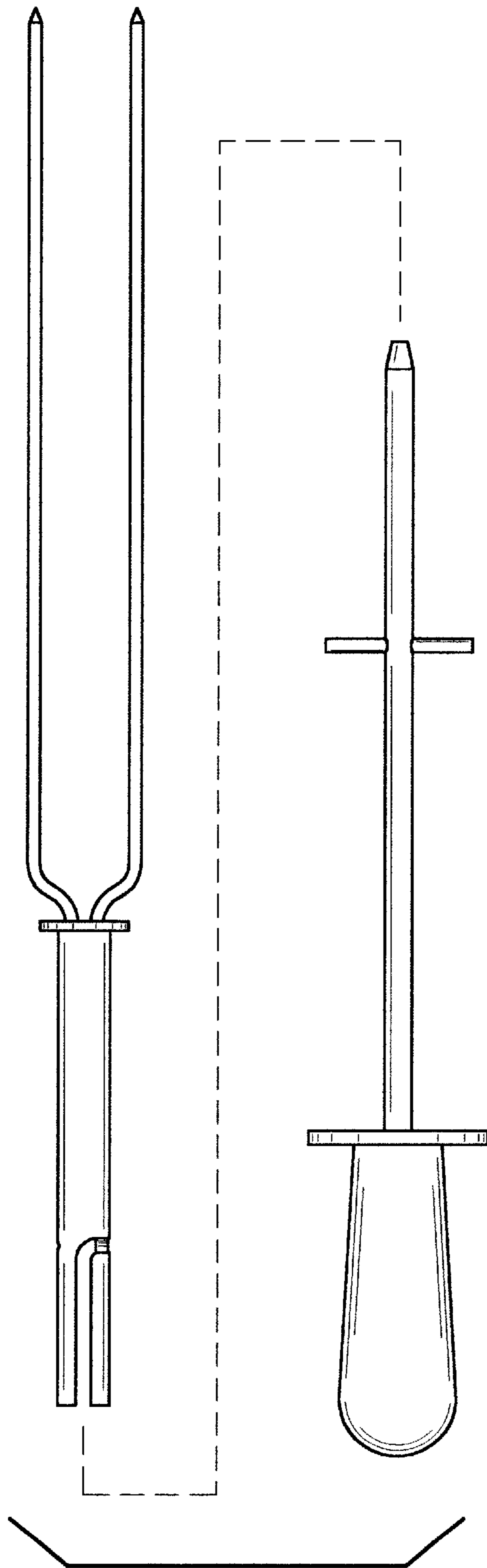


FIG. 4