



US00D479440S

(12) **United States Design Patent**
Kennedy

(10) **Patent No.:** **US D479,440 S**

(45) **Date of Patent:** **** Sep. 9, 2003**

(54) **DUAL SIDED COOLER WITH UMBRELLA**

(76) Inventor: **Christina Kennedy**, 266 Annadale Rd.,
Staten Island, NY (US) 10312

(**) Term: **14 Years**

(21) Appl. No.: **29/168,980**

(22) Filed: **Oct. 11, 2002**

(51) **LOC (7) Cl.** **07-01**

(52) **U.S. Cl.** **D7/605**

(58) **Field of Search** D7/605-608, 629;
62/457.1-457.7, 371, 372, 326, 331, 258;
280/30, 43.14, 43.1, 43.24, 47.18, 47.26,
47.34, 645, 651, 652; 297/188.04, 188.1,
217.1; D3/5, 10

(56) **References Cited**

U.S. PATENT DOCUMENTS

| | | | |
|---------------|---------|------------------|-----------|
| 3,591,194 A | 7/1971 | Vega | 280/47.26 |
| 4,846,493 A * | 7/1989 | Mason | 280/43.1 |
| 5,269,157 A | 12/1993 | Ciminelli et al. | 62/457.7 |
| 5,373,708 A * | 12/1994 | Dumoulin, Jr. | 62/457.7 |
| D367,404 S * | 2/1996 | Scheffer et al. | D7/605 |
| D369,695 S * | 5/1996 | Imotani | D7/605 |

| | | | |
|--------------|---------|---------------------|----------|
| D414,987 S | 10/1999 | Moffett, III et al. | D7/605 |
| D415,658 S * | 10/1999 | Frehse | D7/605 |
| 6,216,488 B1 | 4/2001 | Rucker | 62/457.7 |

* cited by examiner

Primary Examiner—Terry A. Wallace

(74) *Attorney, Agent, or Firm*—Goldstein & Lavas, P.C.

(57) **CLAIM**

The ornamental design for a dual sided cooler with umbrella,
as shown and described.

DESCRIPTION

FIG. 1 is a perspective view of a dual sided cooler with umbrella.

FIG. 2 is a front elevational view thereof.

FIG. 3 is a rear elevational view thereof.

FIG. 4 is a right side elevational view thereof.

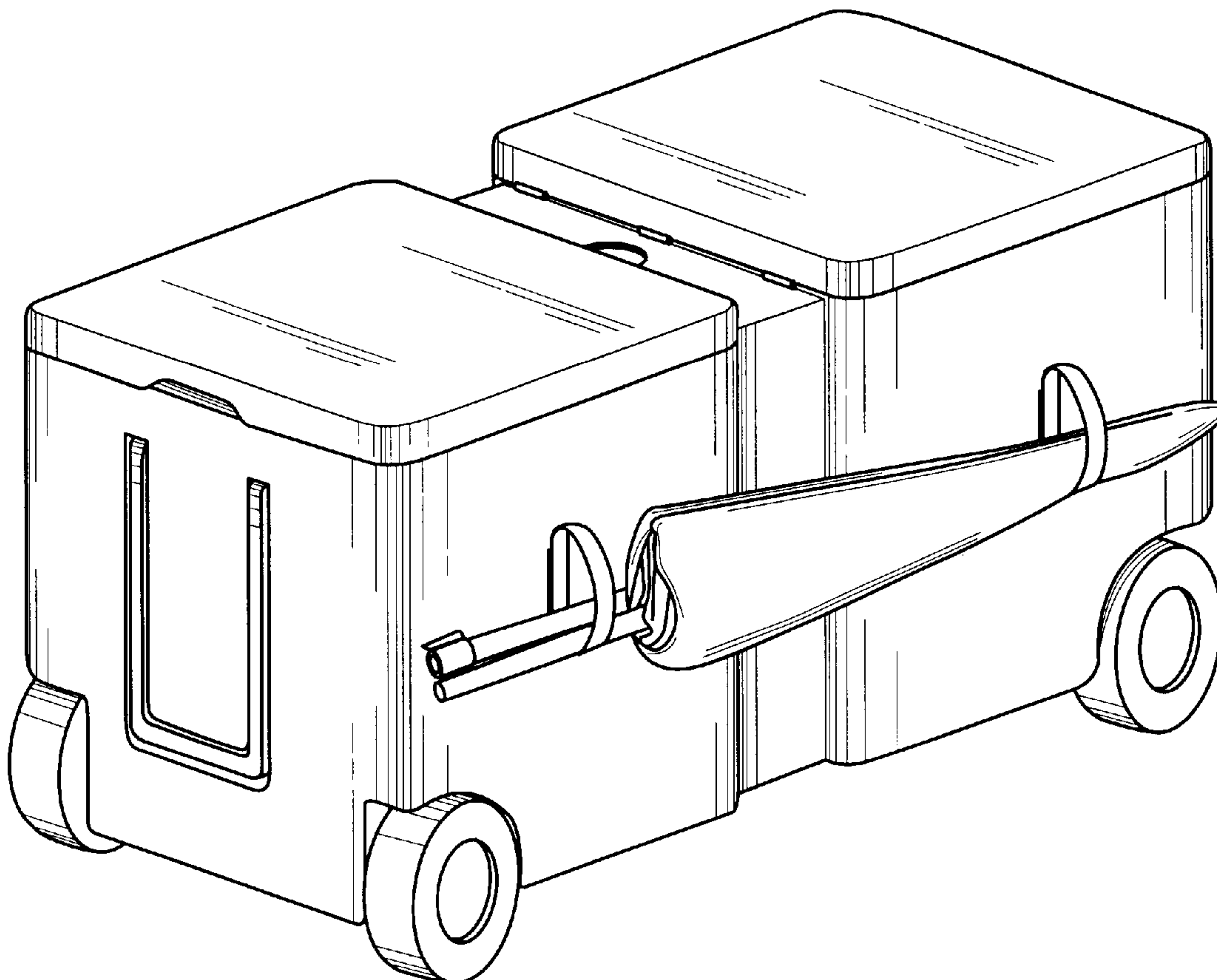
FIG. 5 is a left side elevational view thereof.

FIG. 6 is a top plan view of the dual sided cooler with umbrella; and,

FIG. 7 is a bottom plan view thereof.

FIGS. 2-7 are shown without the umbrella for clarity of illustration.

1 Claim, 4 Drawing Sheets



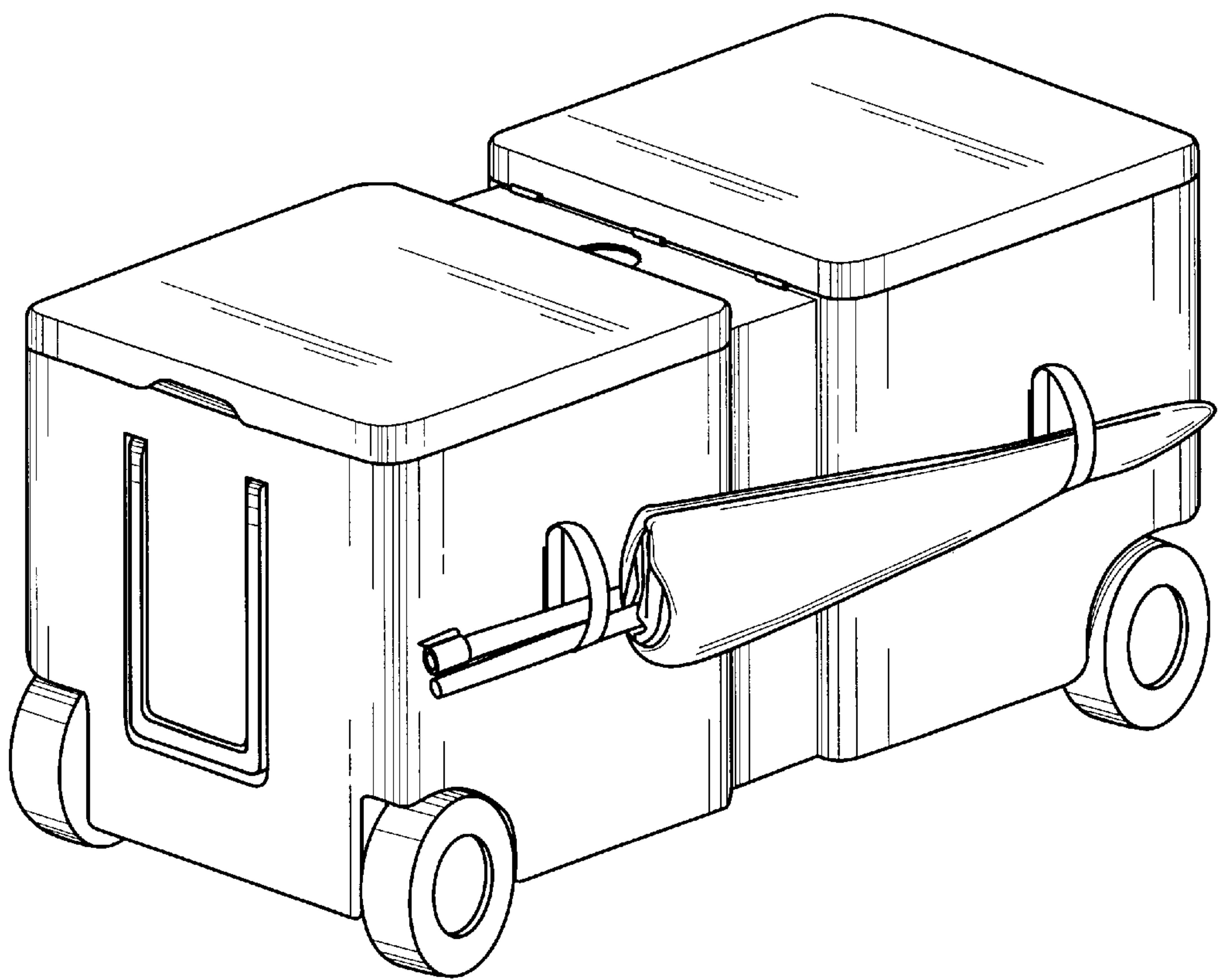


FIG. 1

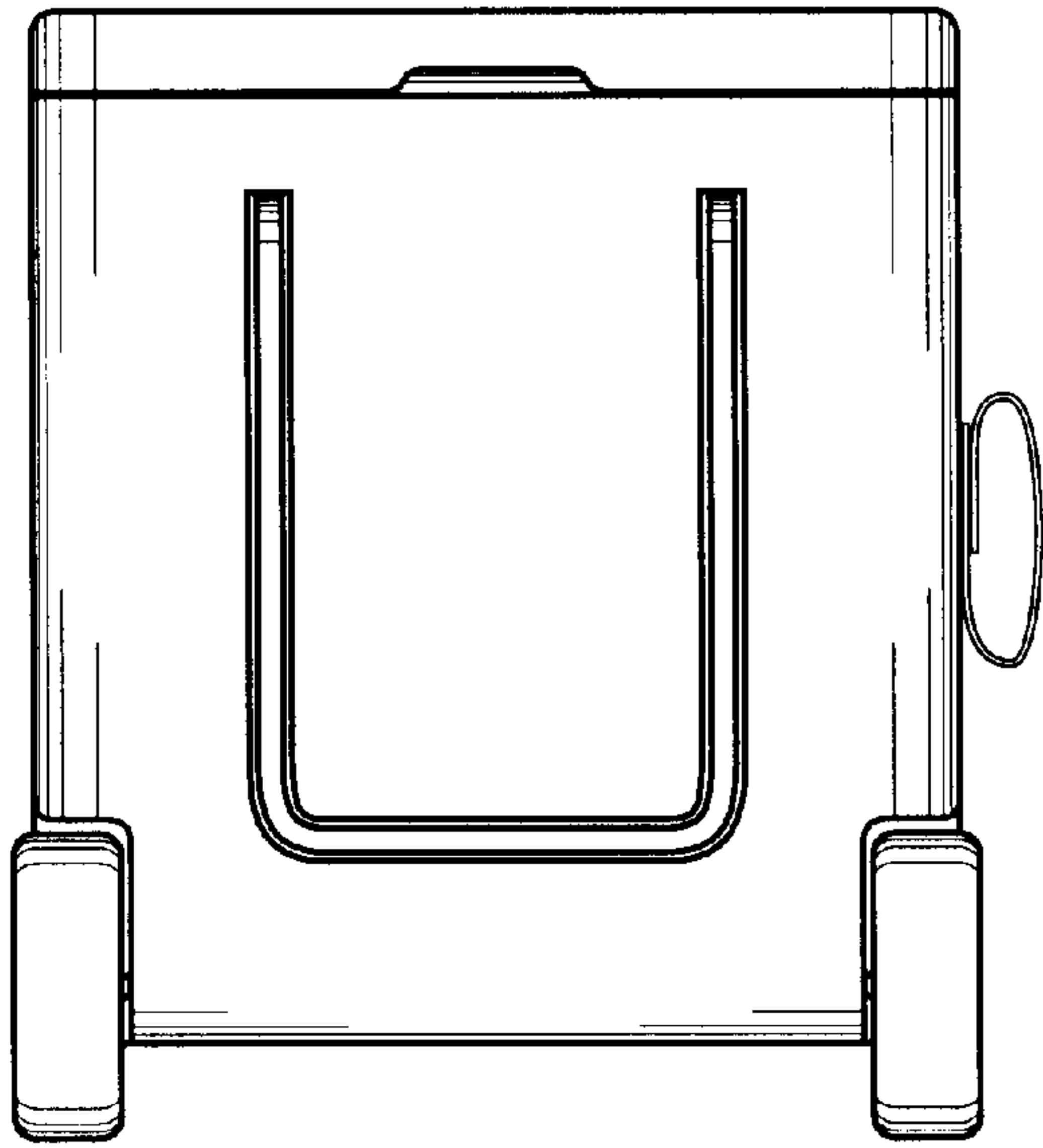


FIG. 2

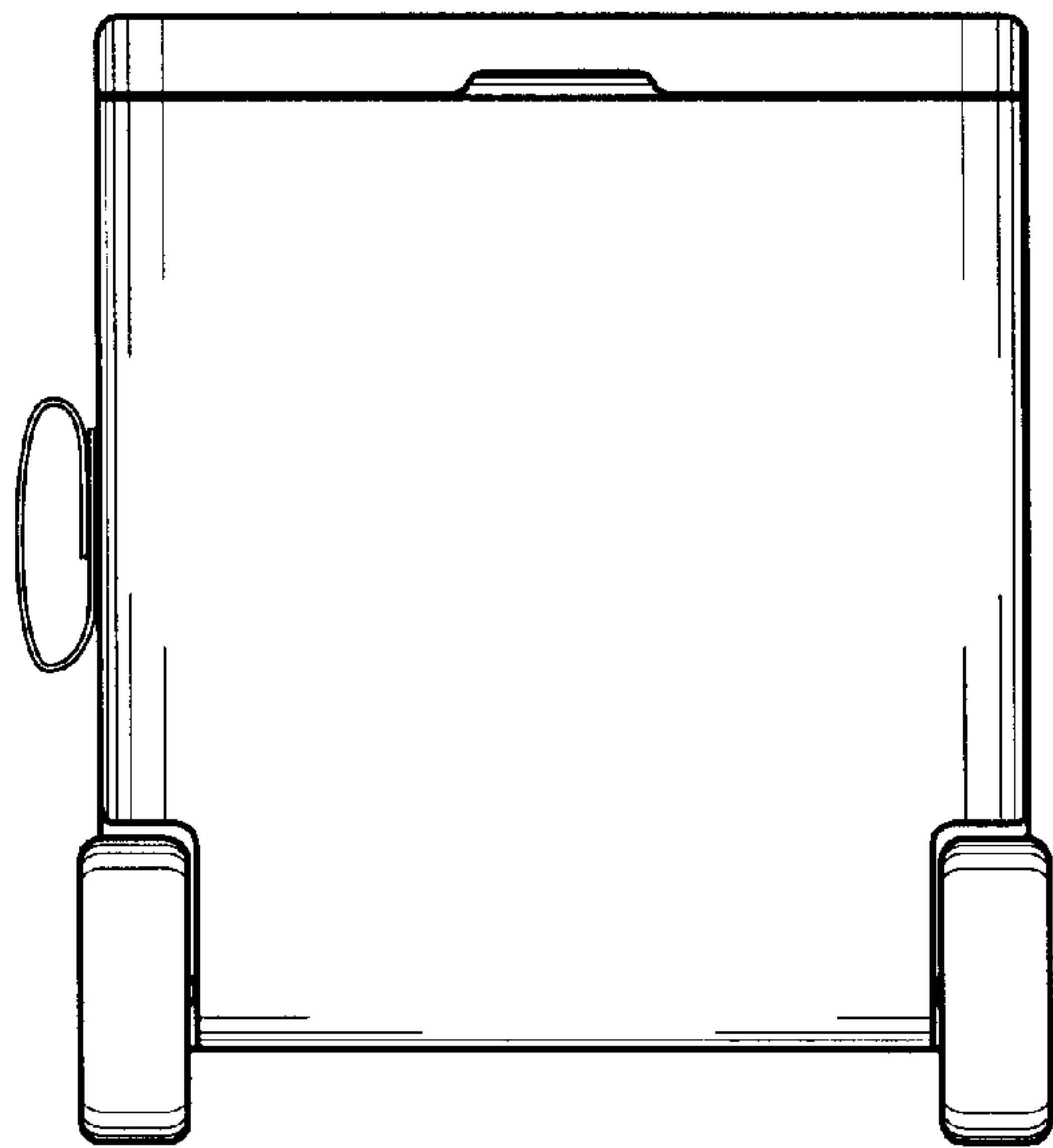


FIG. 3

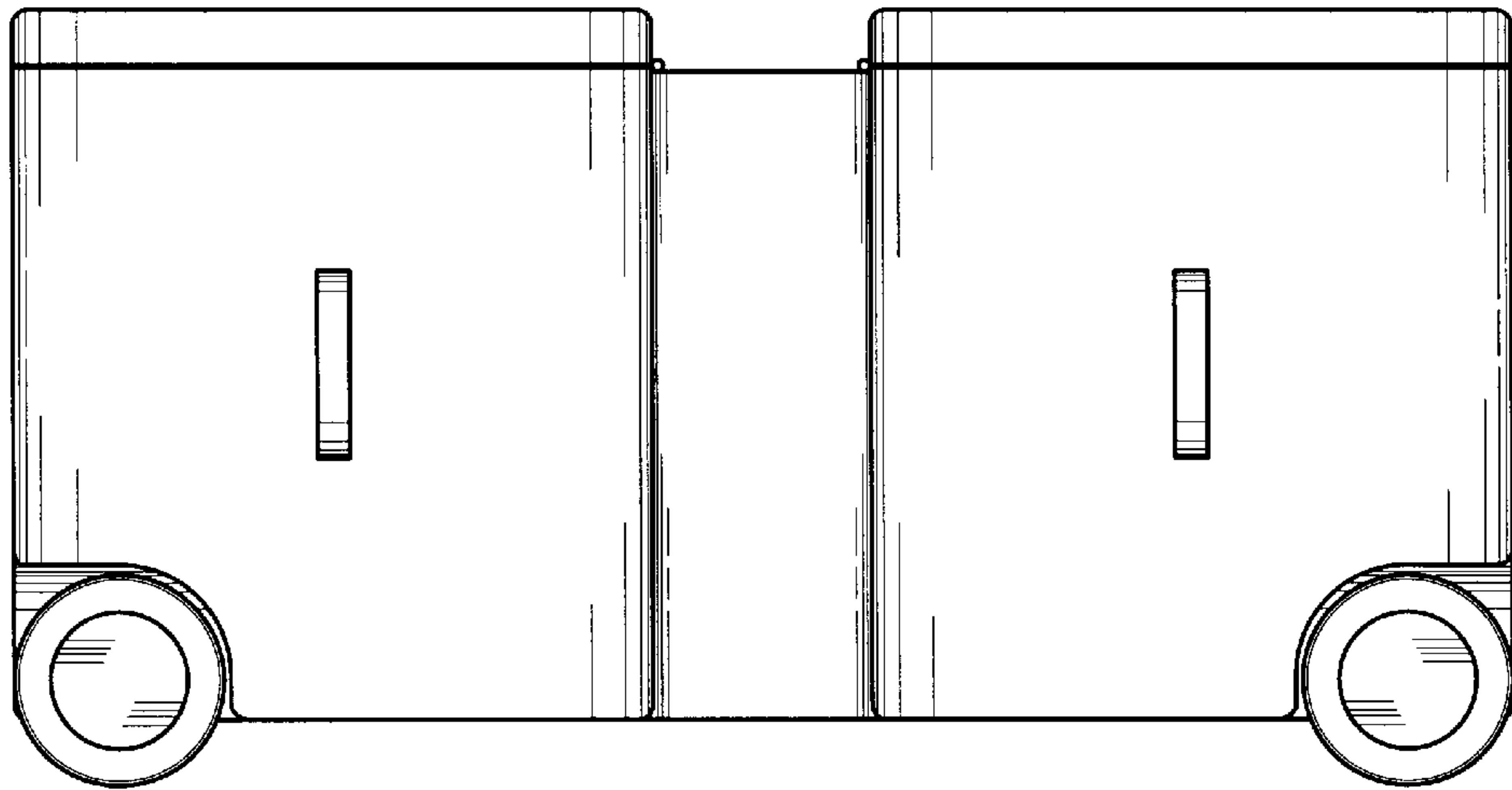


FIG. 4

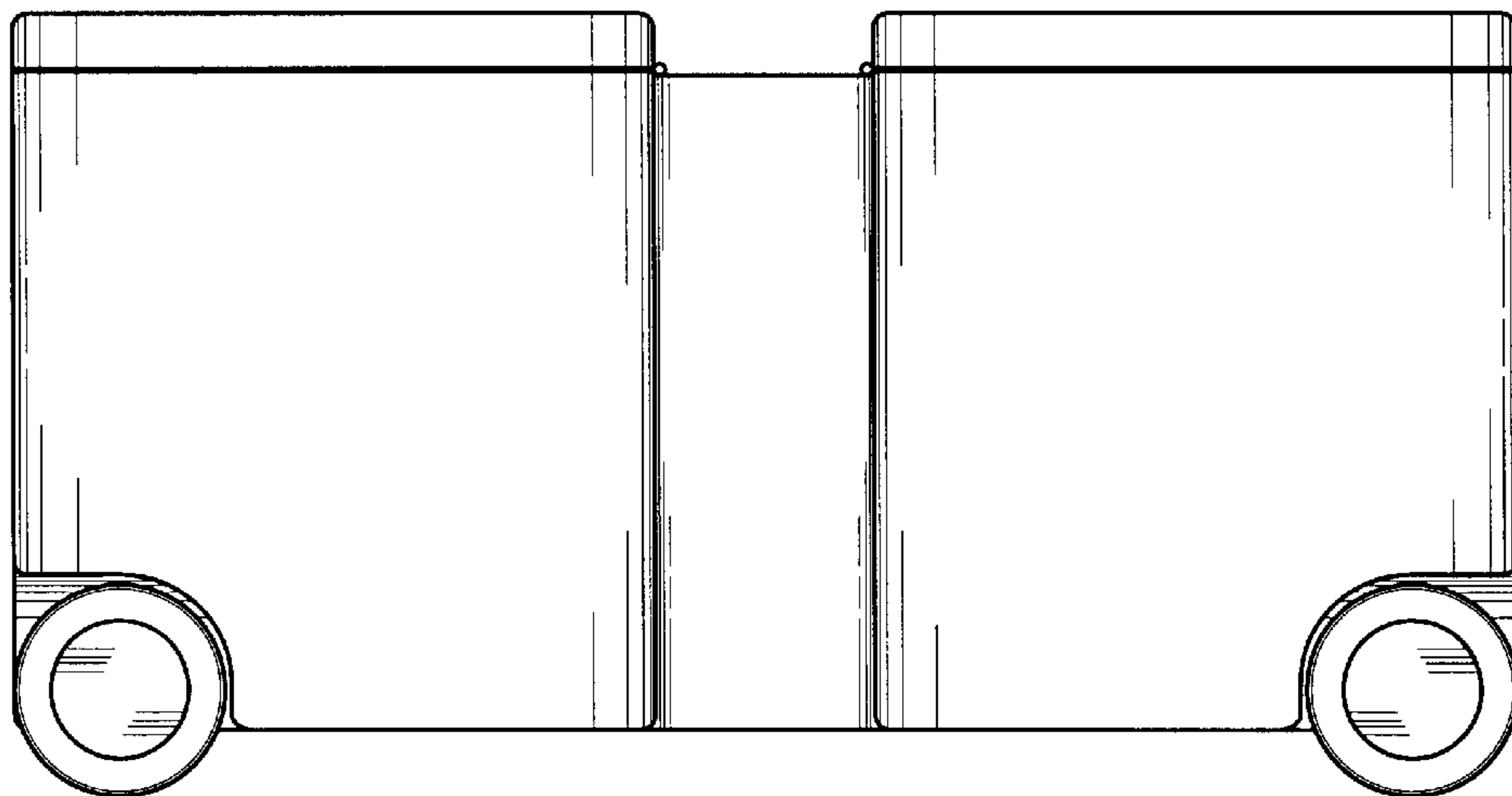


FIG. 5

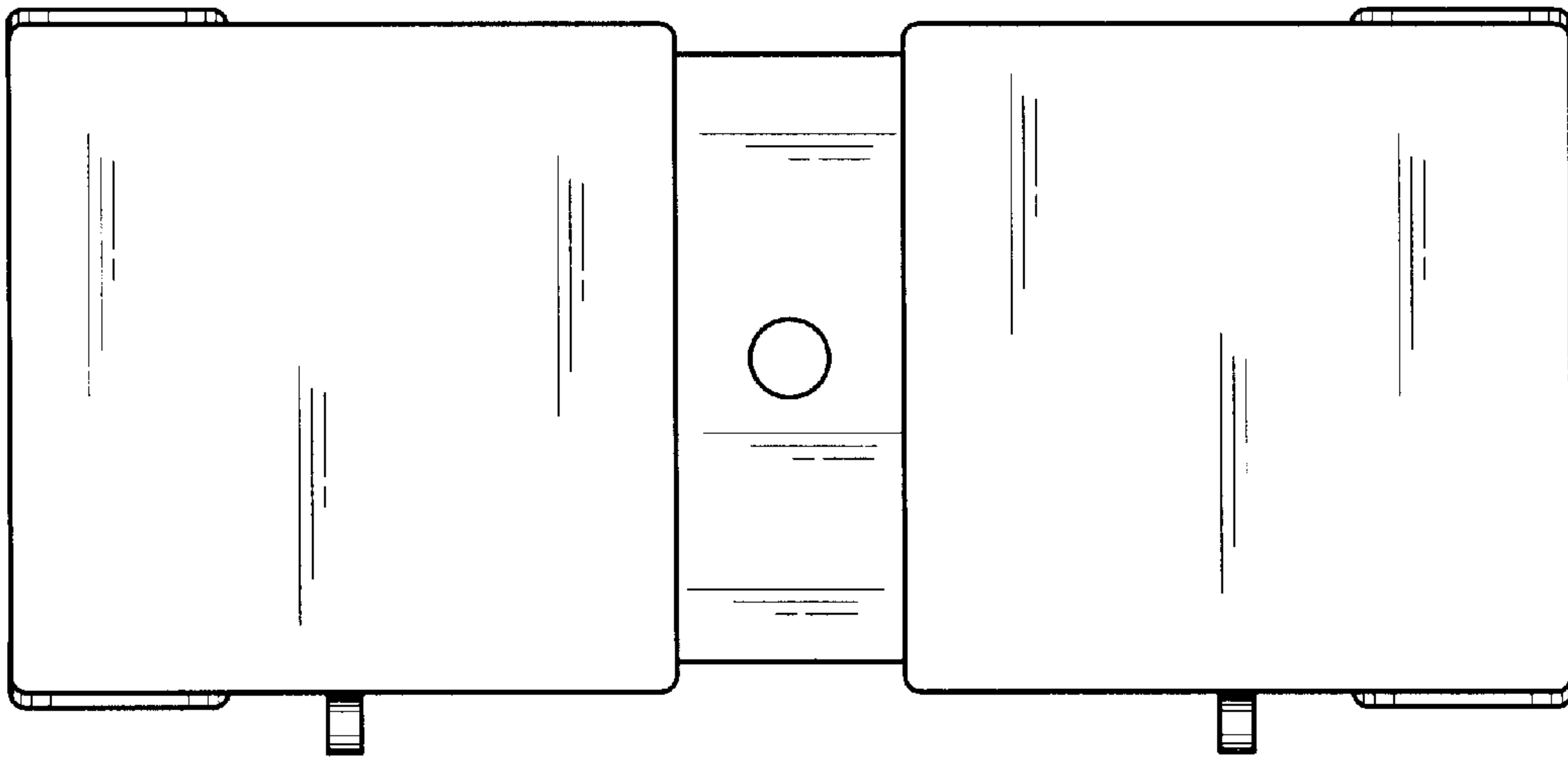


FIG. 6

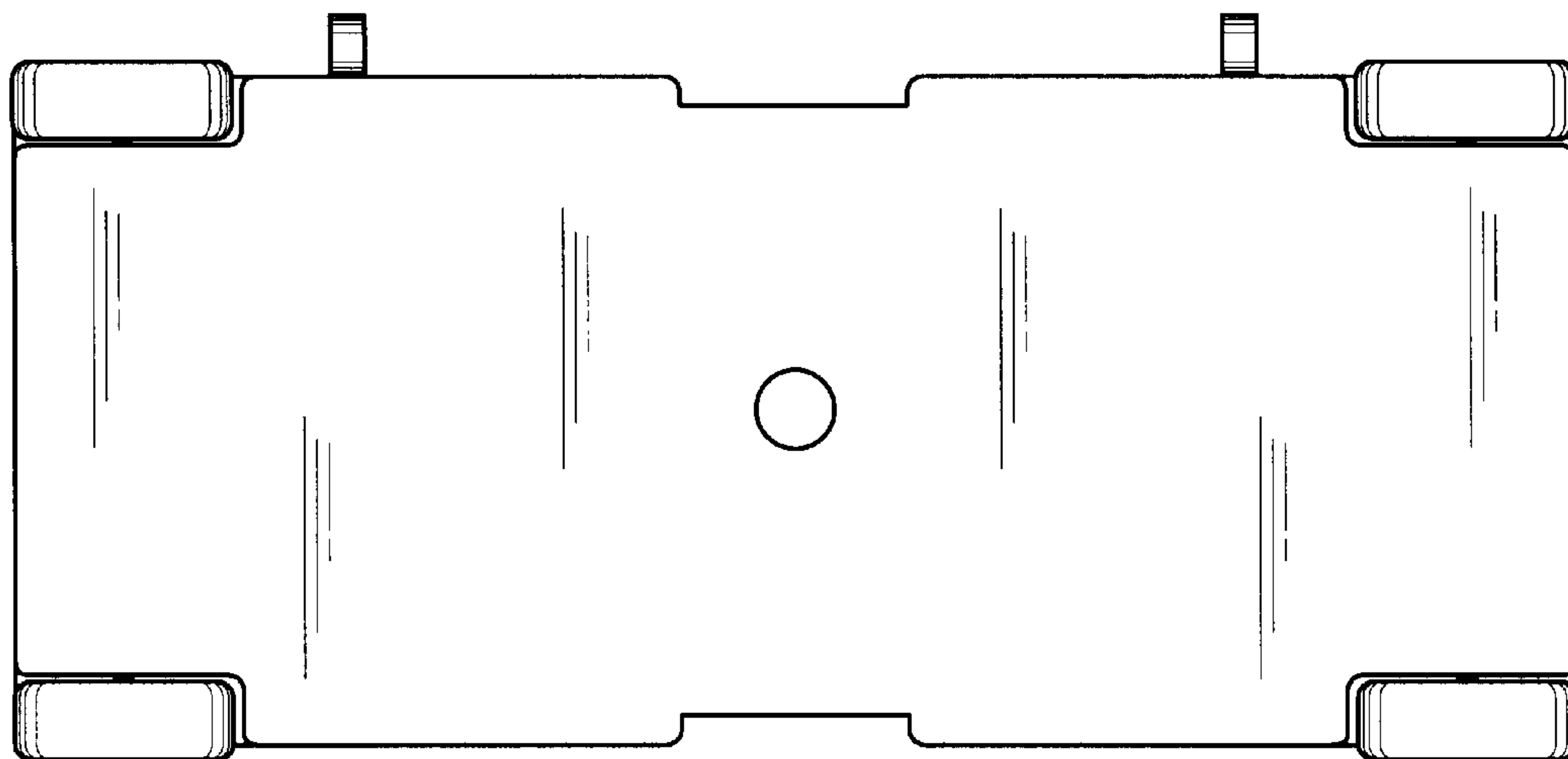


FIG. 7