



US00D479438S

(12) **United States Design Patent**  
**De Neubourg**

(10) **Patent No.:** **US D479,438 S**

(45) **Date of Patent:** **\*\* Sep. 9, 2003**

(54) **BOWL**

(75) **Inventor:** **Wouter De Neubourg**, Berchem (BE)

(73) **Assignee:** **DeSter.ACS Holding B.V.**, Weesp (NL)

(\*\*) **Term:** **14 Years**

(21) **Appl. No.:** **29/146,848**

(22) **Filed:** **Aug. 20, 2001**

(30) **Foreign Application Priority Data**

Feb. 20, 2001 (DE) ..... 4 01 01 666

(51) **LOC (7) Cl.** ..... **07-01**

(52) **U.S. Cl.** ..... **D7/545; D7/540**

(58) **Field of Search** ..... D7/550.1, 552.1,  
D7/553.1, 553.3, 553.7, 553.8, 554.1, 554.3,  
554.4, 396.1, 363; D9/414, 432, 434, 456,  
457, 479; 220/574, 574.3, 575, 495.01,  
626, 557; 99/422

(56) **References Cited**

**U.S. PATENT DOCUMENTS**

2,006,827	A	*	7/1935	Feiler	.....	220/810
D160,480	S	*	10/1950	Crook	.....	D7/551.2
2,704,974	A	*	3/1955	Setman	.....	99/422
D195,683	S	*	7/1963	Quistgaard	.....	D7/554.1
3,581,970	A	*	6/1971	Colato	.....	220/626
D224,751	S	*	9/1972	Propst	.....	D7/554.3
D226,285	S	*	2/1973	Bateman	.....	D7/554.3
D229,143	S	*	11/1973	Holmes et al.	.....	D6/510

D239,316	S	*	3/1976	Smith	.....	D9/432
D271,557	S	*	11/1983	Schwarzli	.....	D7/363
D289,246	S	*	4/1987	Ritman	.....	D7/584
D365,501	S	*	12/1995	Daugherty et al.	.....	D7/602
D417,361	S	*	12/1999	Mittmann et al.	.....	D7/396.1
6,010,005	A	*	1/2000	Reames et al.	.....	206/557

\* cited by examiner

*Primary Examiner*—Charles A. Rademaker

(74) *Attorney, Agent, or Firm*—Shlesinger, Arkwright & Garvey LLP

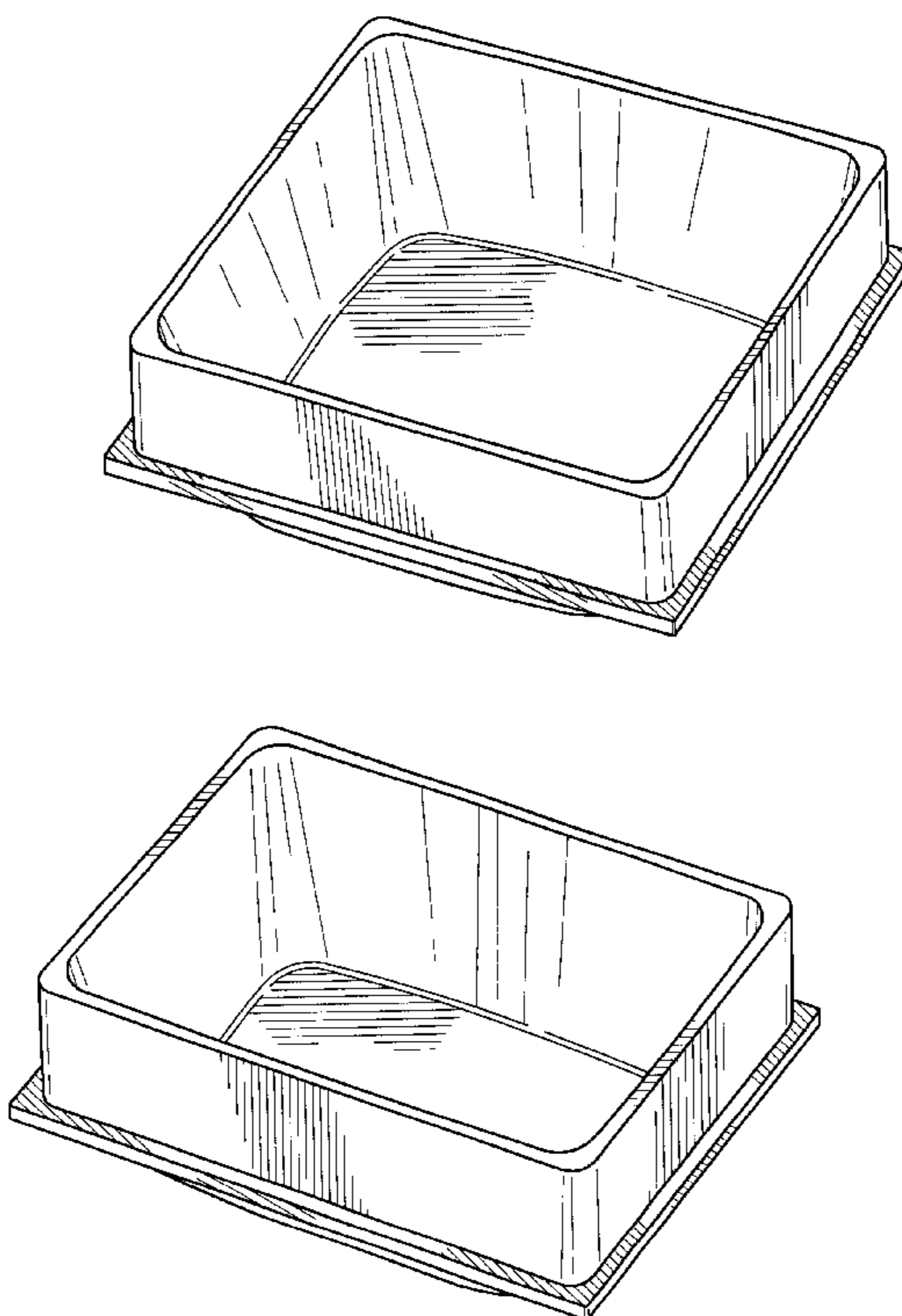
(57) **CLAIM**

The ornamental design for the bowl, as shown and described.

**DESCRIPTION**

FIG. 1 is a top perspective view of a bowl showing a first preferred embodiment of my design;  
 FIG. 2 is a front side view of the bowl of FIG. 1, the left, right, and rear side views each being a mirror image thereof;  
 FIG. 3 is a top view of the bowl of FIG. 1;  
 FIG. 4 is a bottom view of the bowl of FIG. 1;  
 FIG. 5 is a top perspective view of the bowl showing a further preferred embodiment of my design;  
 FIG. 6 is a front side view of the bowl of FIG. 5, the rear side view being a mirror image thereof;  
 FIG. 7 is a right side view of the bowl of FIG. 5, the left side view being a mirror image thereof;  
 FIG. 8 is a top view of the bowl of FIG. 5; and,  
 FIG. 9 is a bottom view of the bowl of FIG. 5.

**1 Claim, 5 Drawing Sheets**



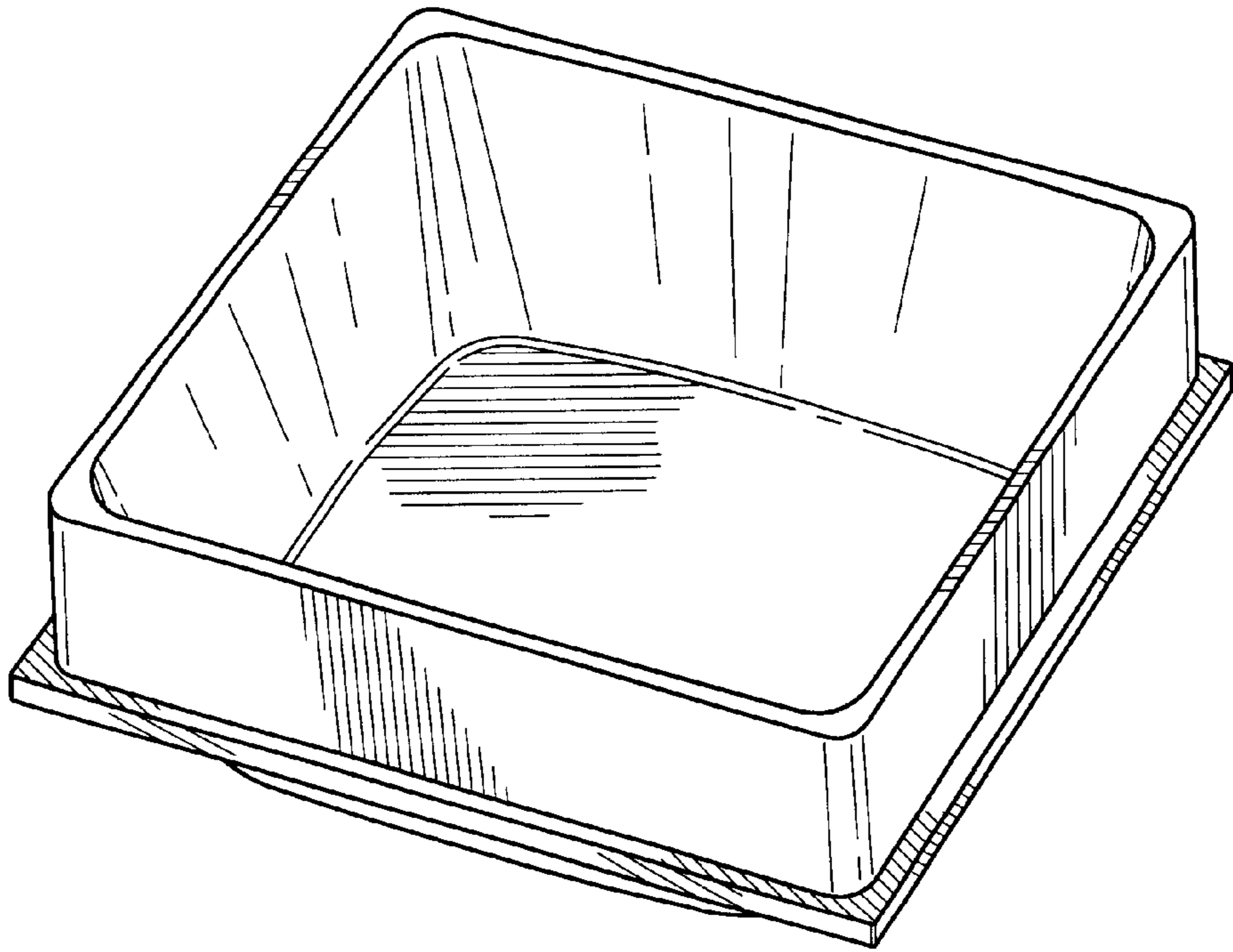


FIG. 1

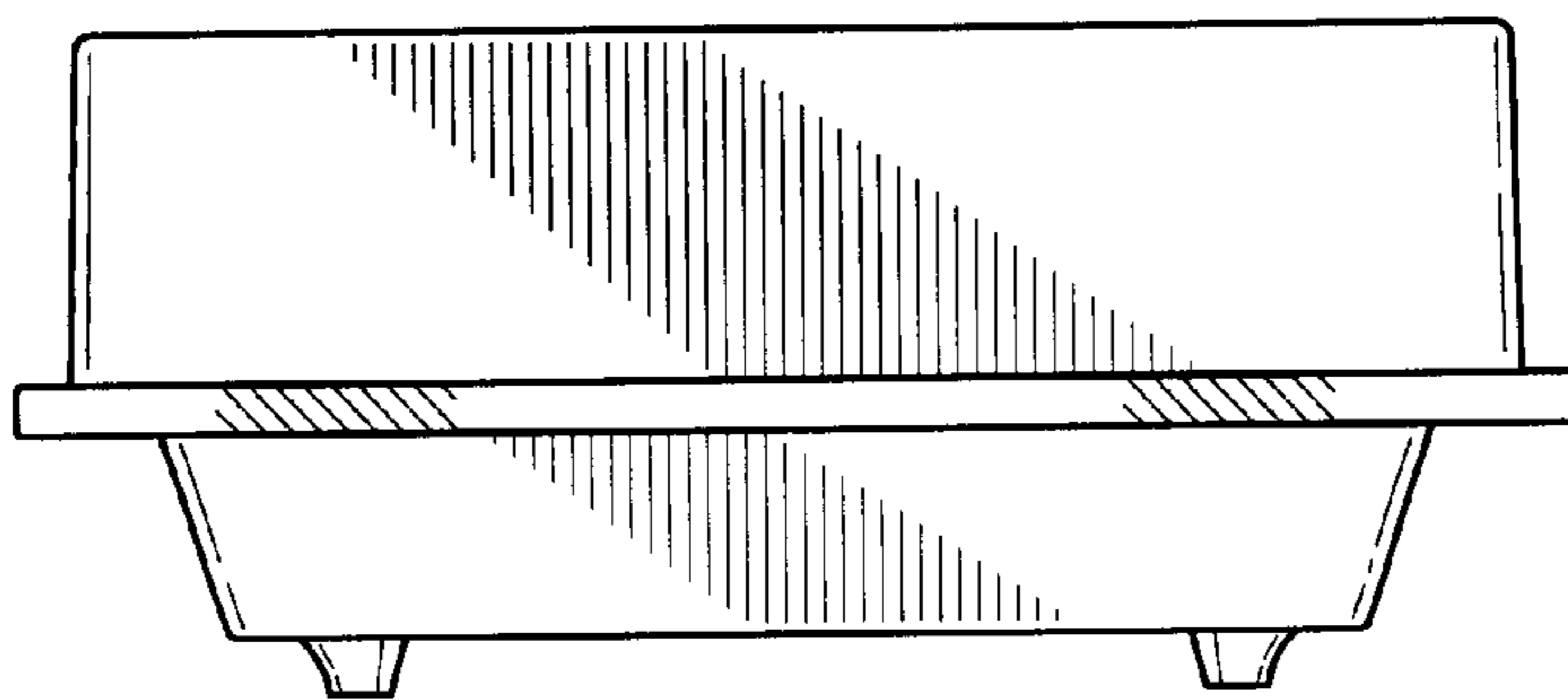


FIG. 2

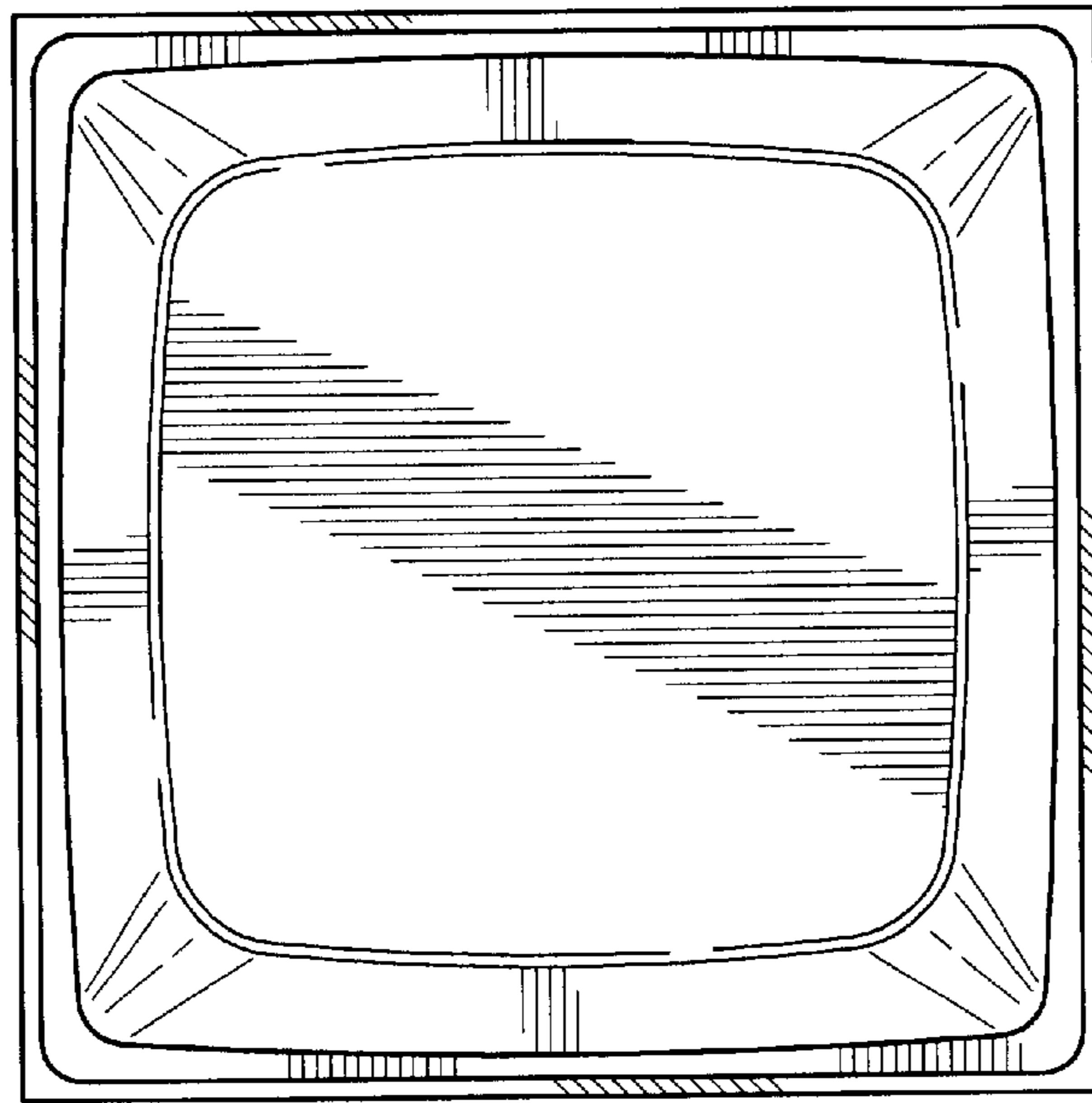


FIG. 3

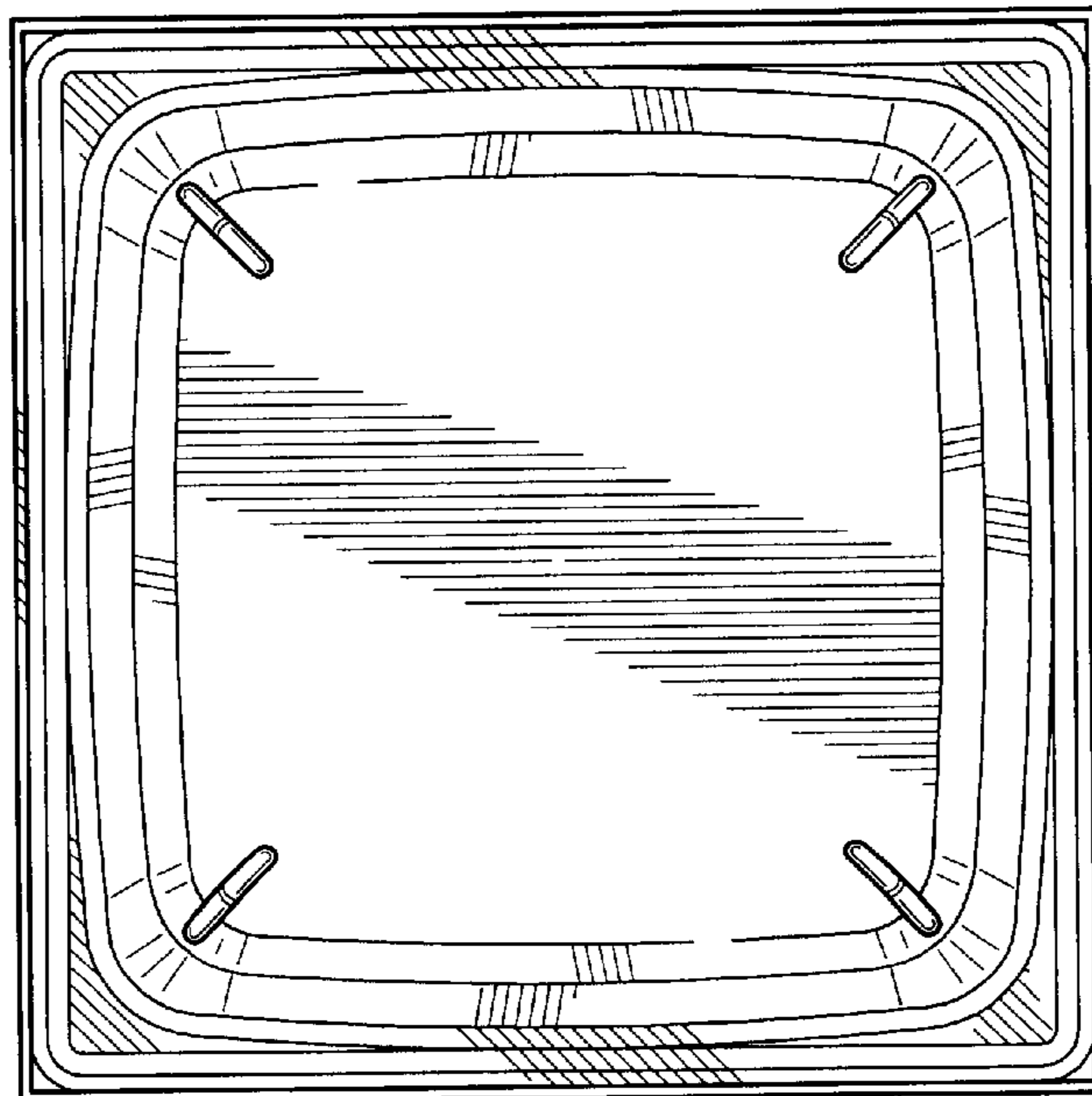


FIG. 4

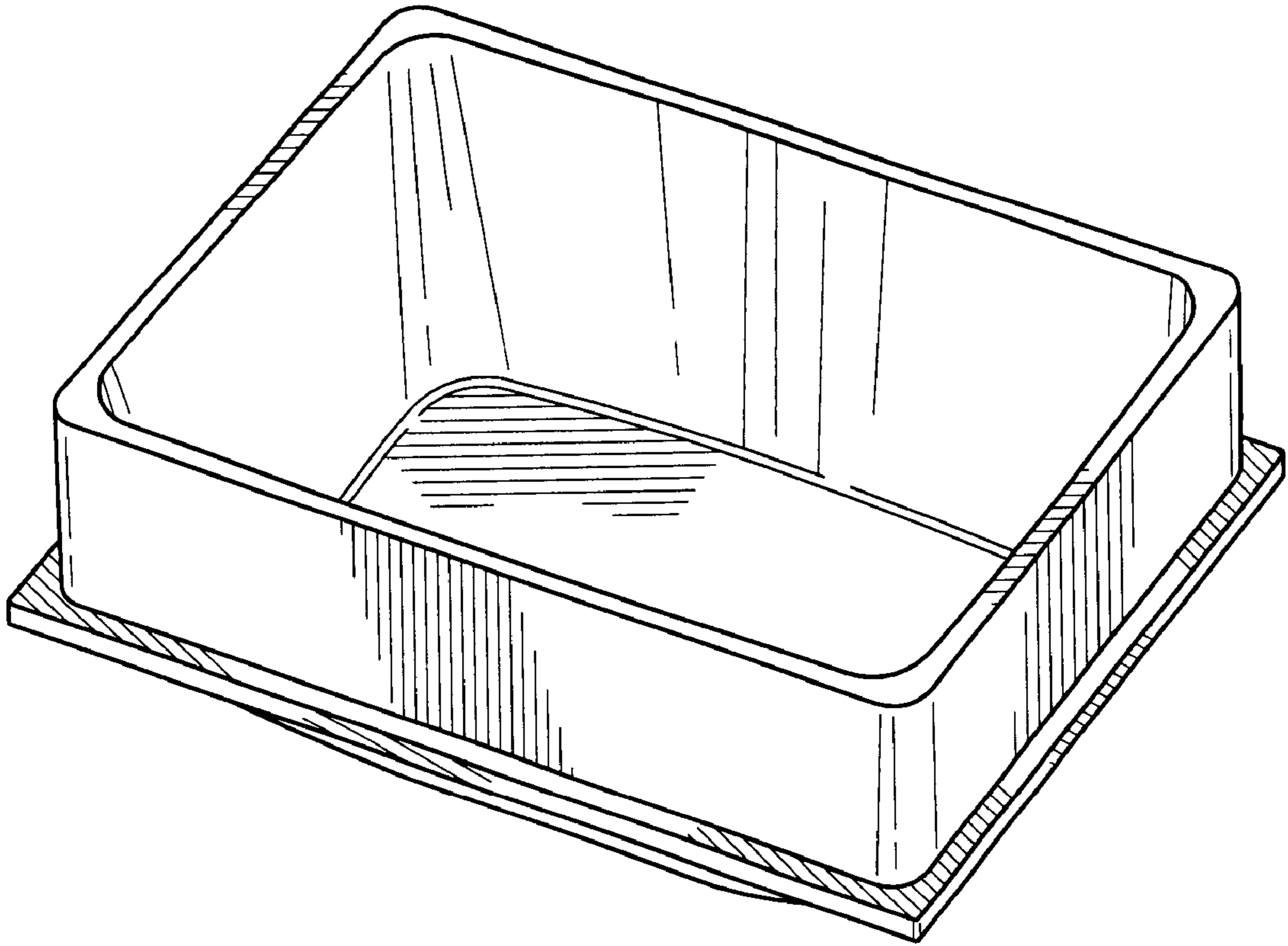


FIG. 5

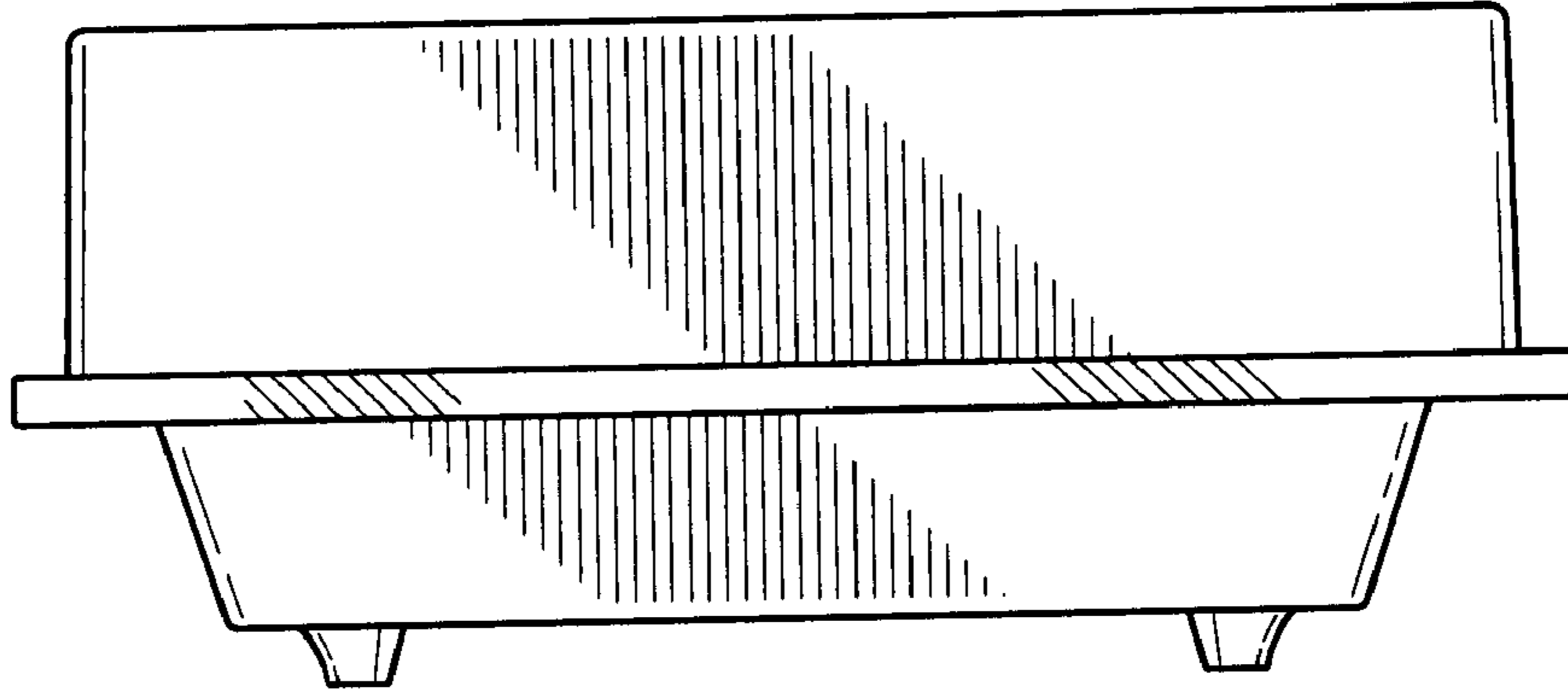


FIG. 6

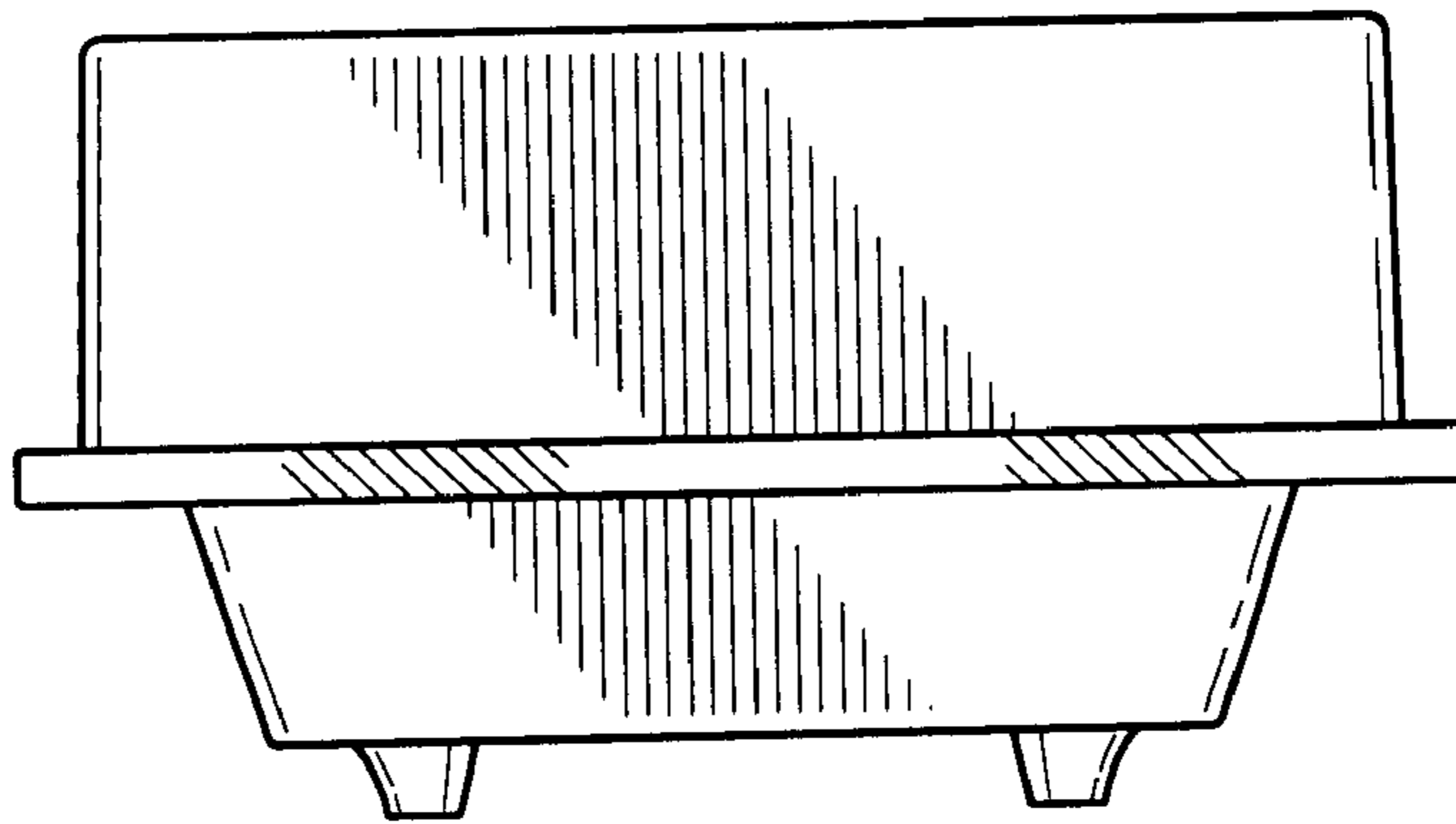


FIG. 7

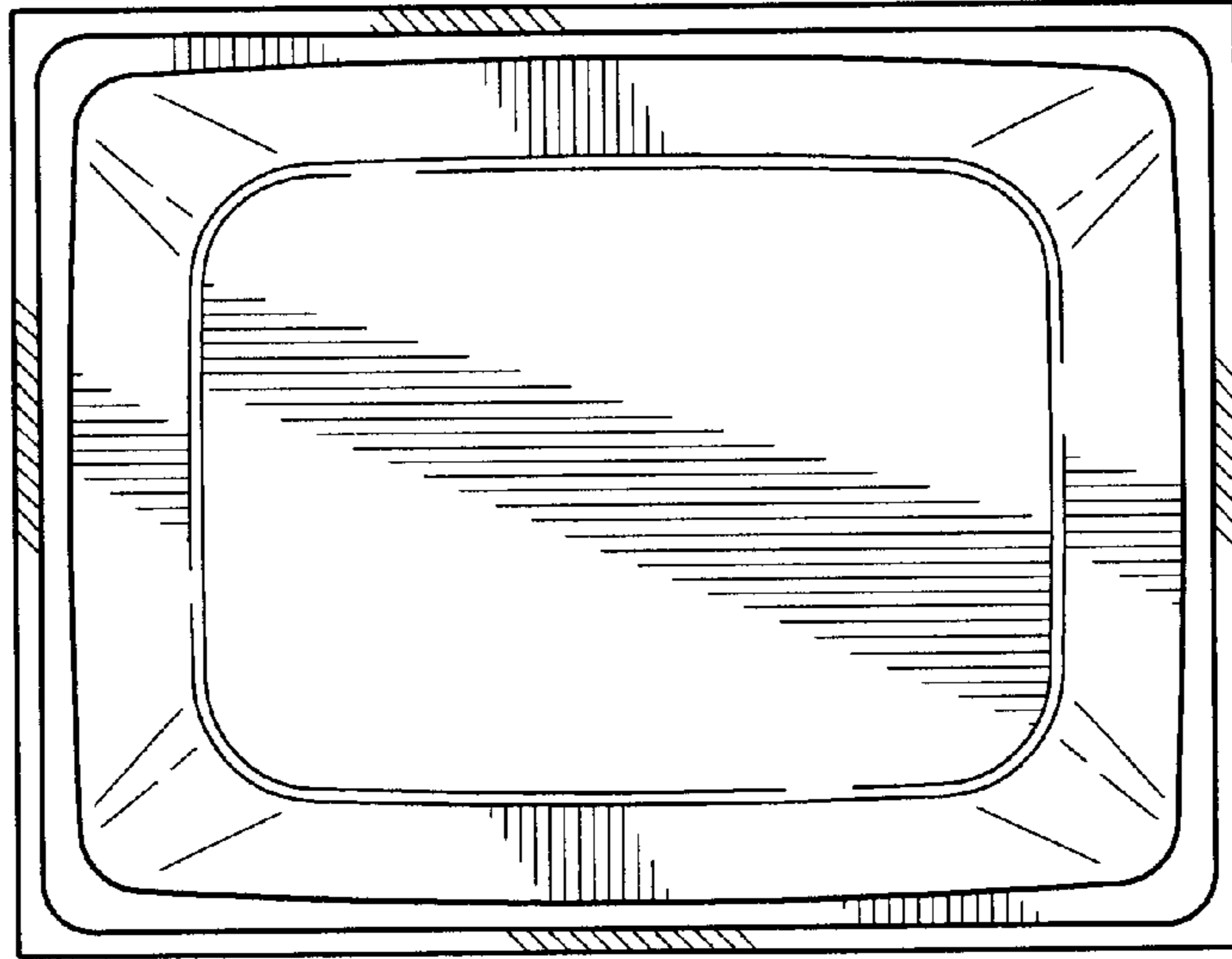


FIG. 8

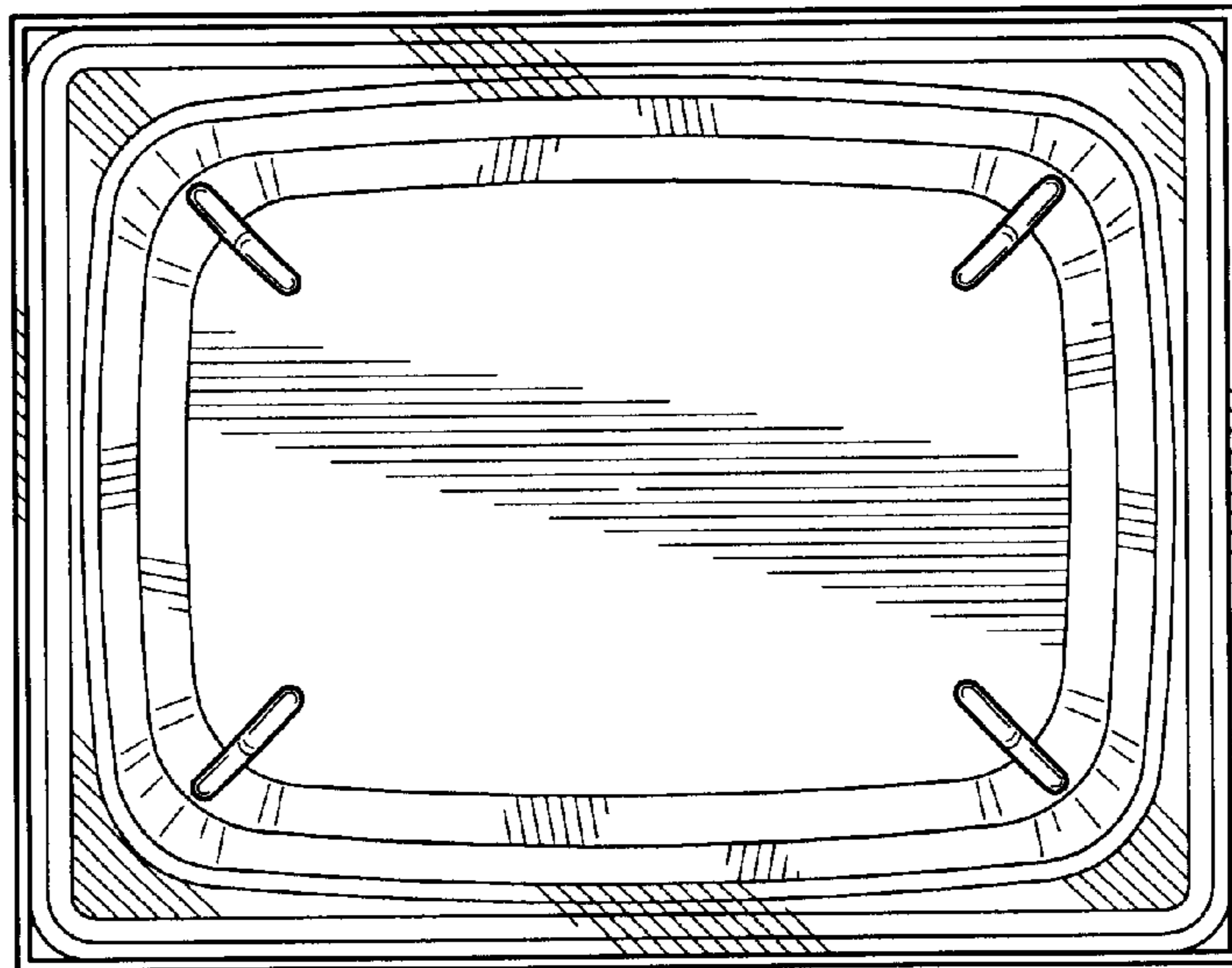


FIG. 9