



US00D479432S

(12) **United States Design Patent**
Barker

(10) **Patent No.:** **US D479,432 S**

(45) **Date of Patent:** **** Sep. 9, 2003**

(54) **WOK**

(75) **Inventor:** **Mario John Chaves Barker,**
Annandale (AU)

(73) **Assignee:** **Breville Pty Ltd, Botany (AU)**

(**) **Term:** **14 Years**

(21) **Appl. No.:** **29/169,253**

(22) **Filed:** **Oct. 16, 2002**

(30) **Foreign Application Priority Data**

Apr. 17, 2002 (AU) 1141/2002

(51) **LOC (7) Cl.** **07-02**

(52) **U.S. Cl.** **D7/360**

(58) **Field of Search** D7/323, 354-361;
99/324, 325, 331, 339, 340, 357; 219/620,
621, 622, 386, 429, 432

(56) **References Cited**

U.S. PATENT DOCUMENTS

D269,319 S * 6/1983 Fox D7/360
D276,493 S * 11/1984 Cesaroni D7/355
D276,689 S * 12/1984 Spoeth, Jr. D7/355
4,555,616 A * 11/1985 O'Brien 219/432

D436,287 S * 1/2001 Choi D7/360
D438,422 S * 3/2001 Choi D7/360
D453,091 S * 1/2002 Gouthiere D7/360
6,347,576 B1 * 2/2002 Chung 99/331

OTHER PUBLICATIONS

Chefs Catalog from Google Catalogs (BETA) search; Winter 2003; p. 86; Martin Yan Professional Wok middle of page.*

* cited by examiner

Primary Examiner—Caron D. Veynar

(74) *Attorney, Agent, or Firm*—Dority & Manning, P.A.

(57) **CLAIM**

The ornamental design for a wok, as shown and described.

DESCRIPTION

FIG. 1 is a first top perspective view of a wok according to the present design;

FIG. 2 is a second top perspective view thereof;

FIG. 3 is a first elevational view thereof;

FIG. 4 is a second elevational view thereof;

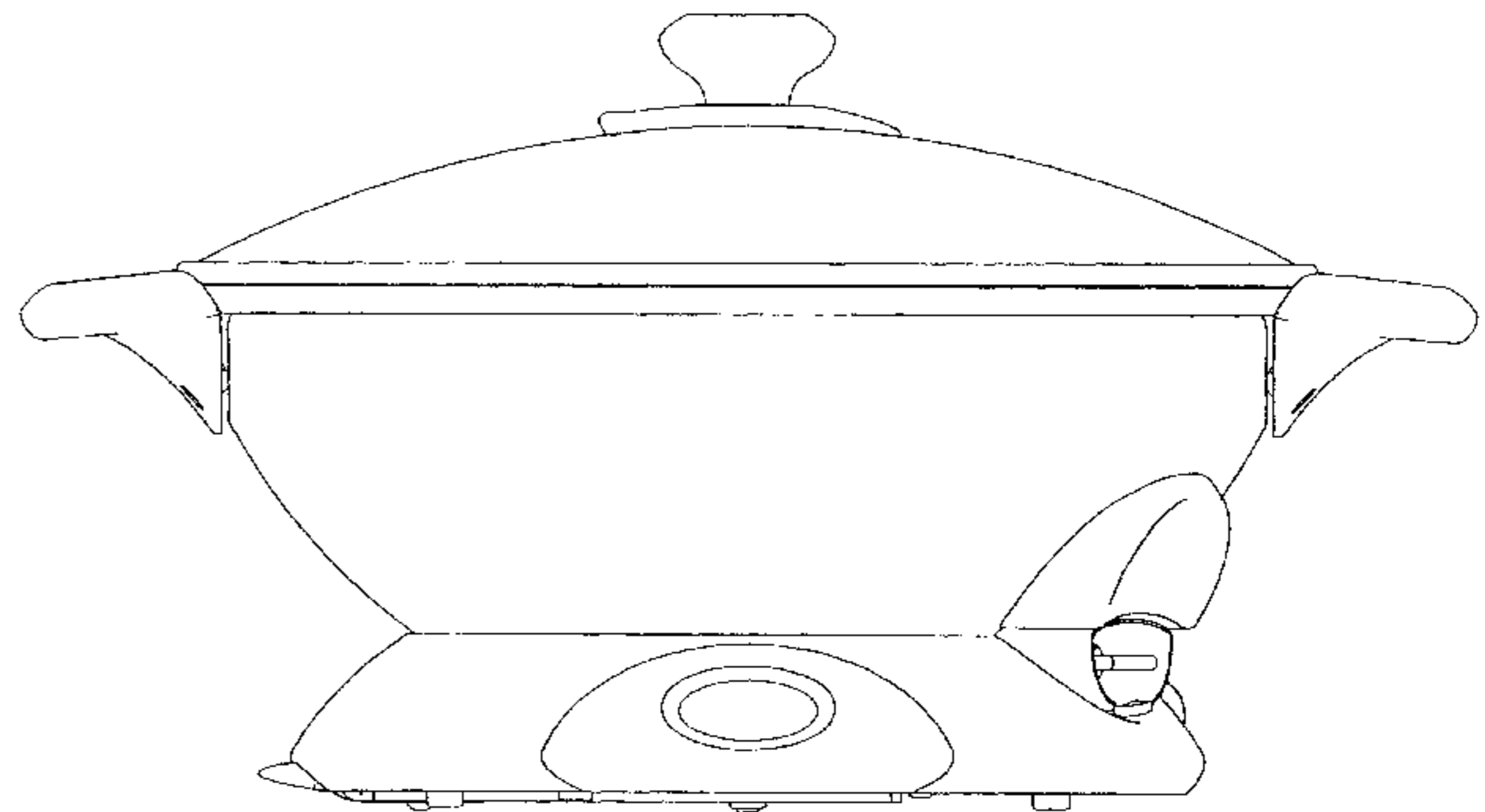
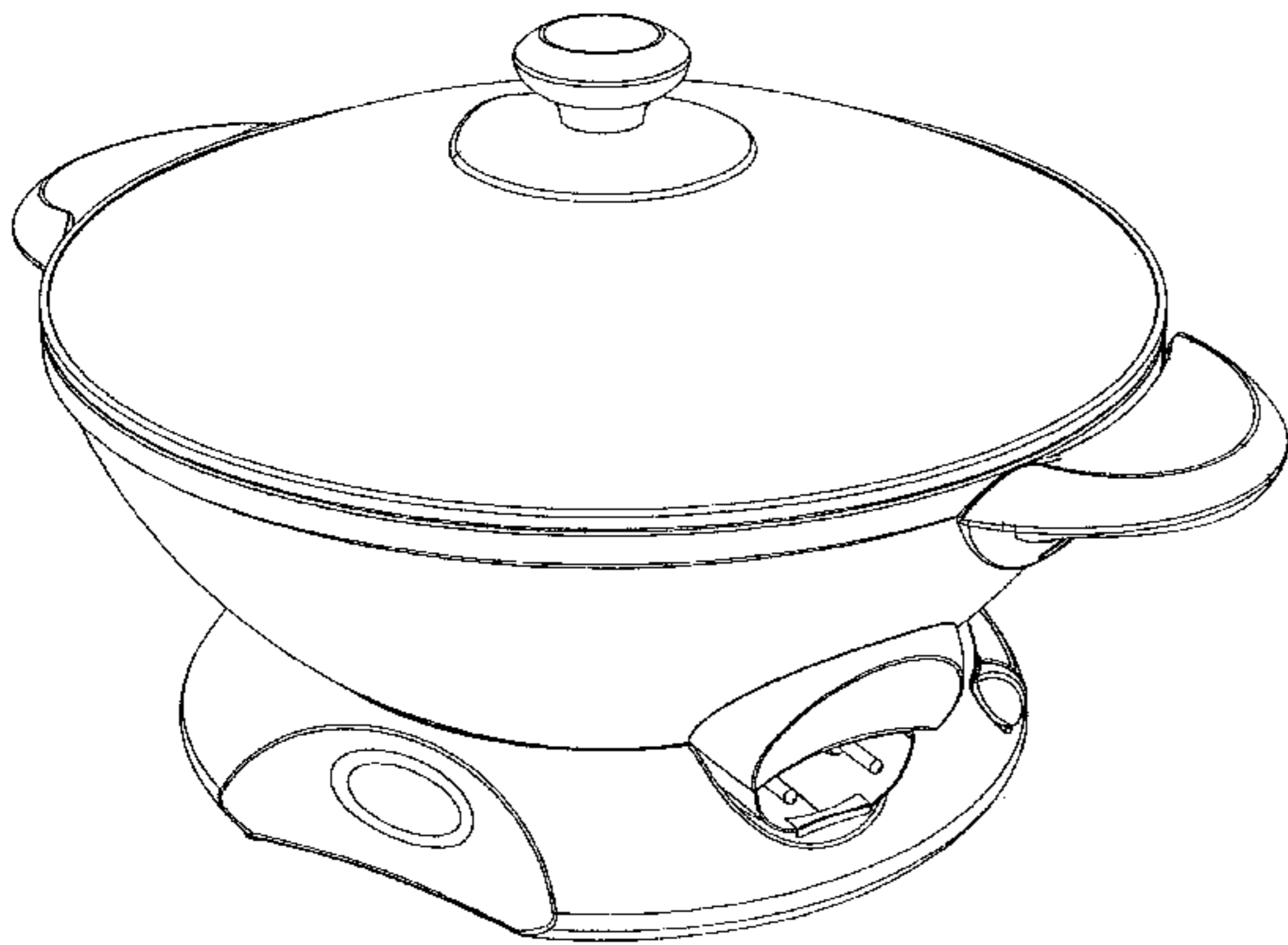
FIG. 5 is a bottom plan view thereof;

FIG. 6 is a top plan view thereof;

FIG. 7 is a first end view thereof; and,

FIG. 8 is a second end view thereof.

1 Claim, 8 Drawing Sheets



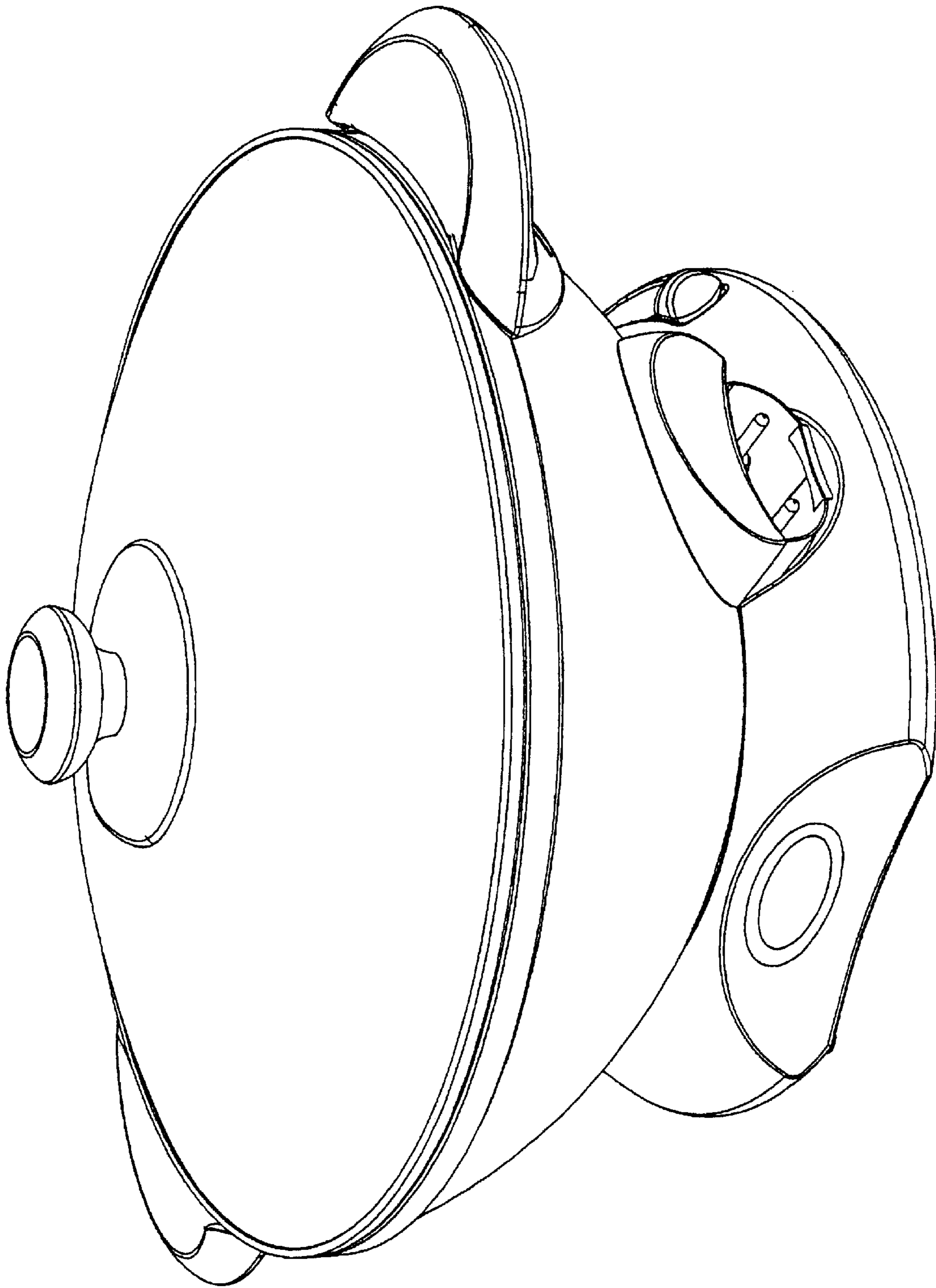


FIGURE 1

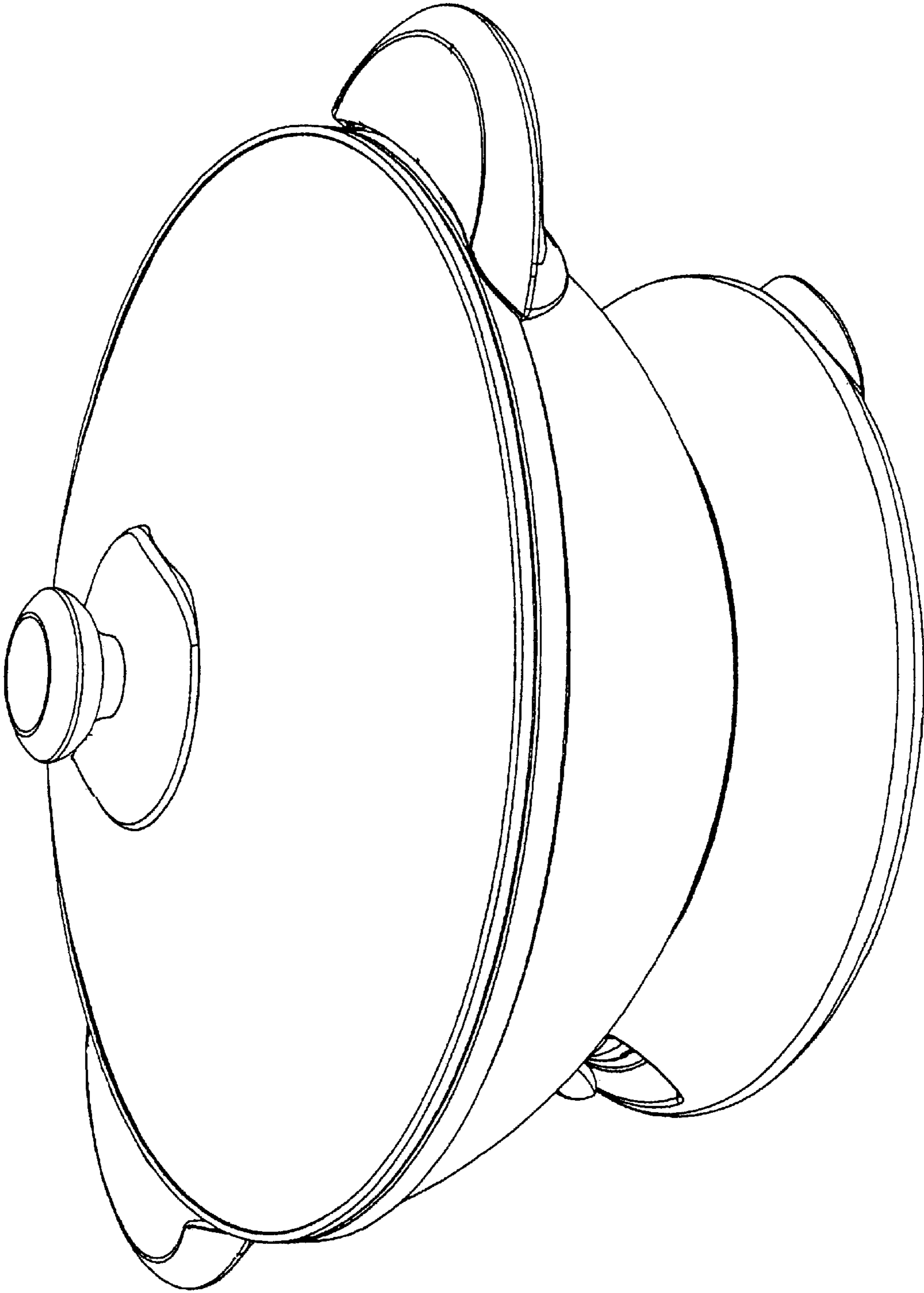


FIGURE 2

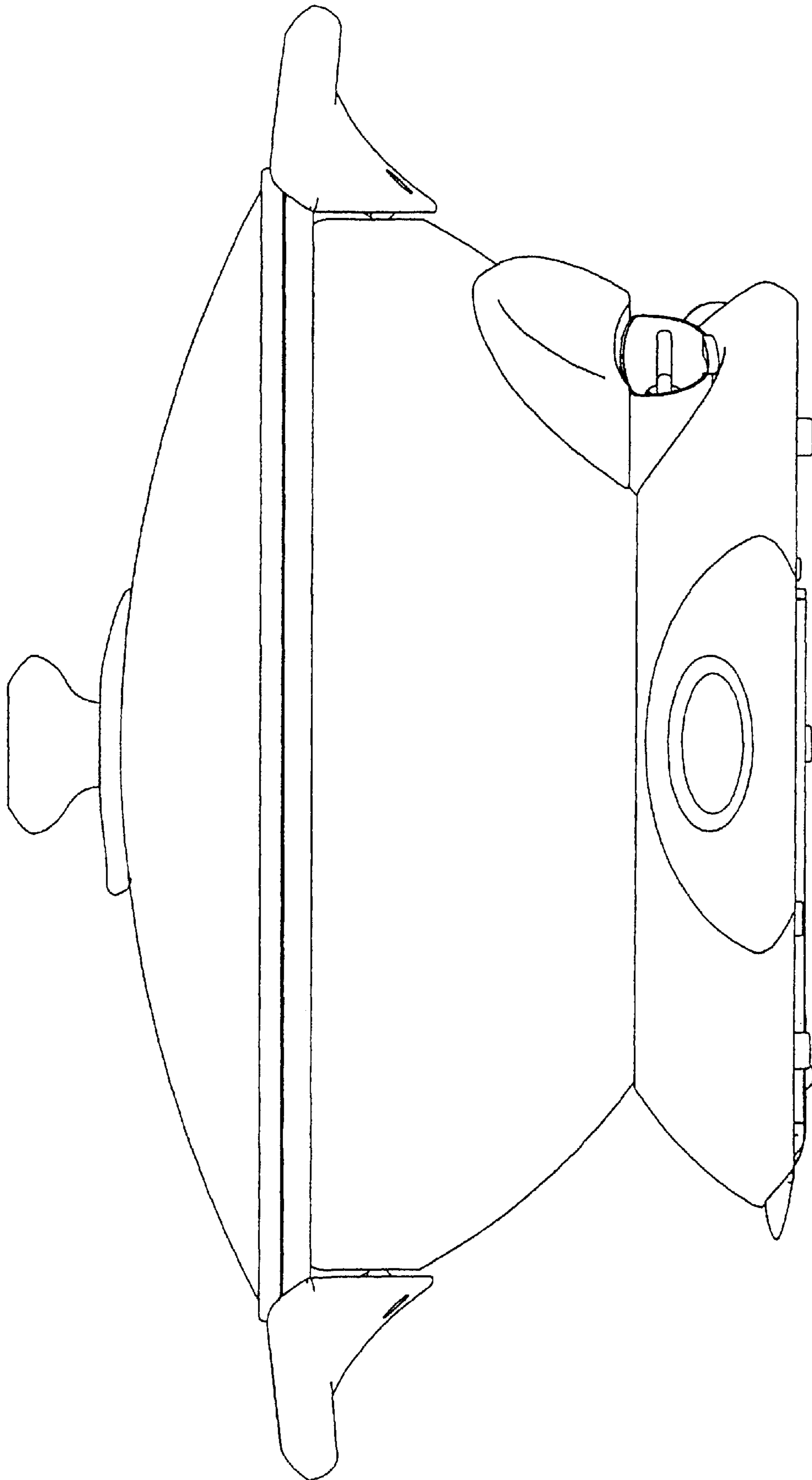


FIGURE 3

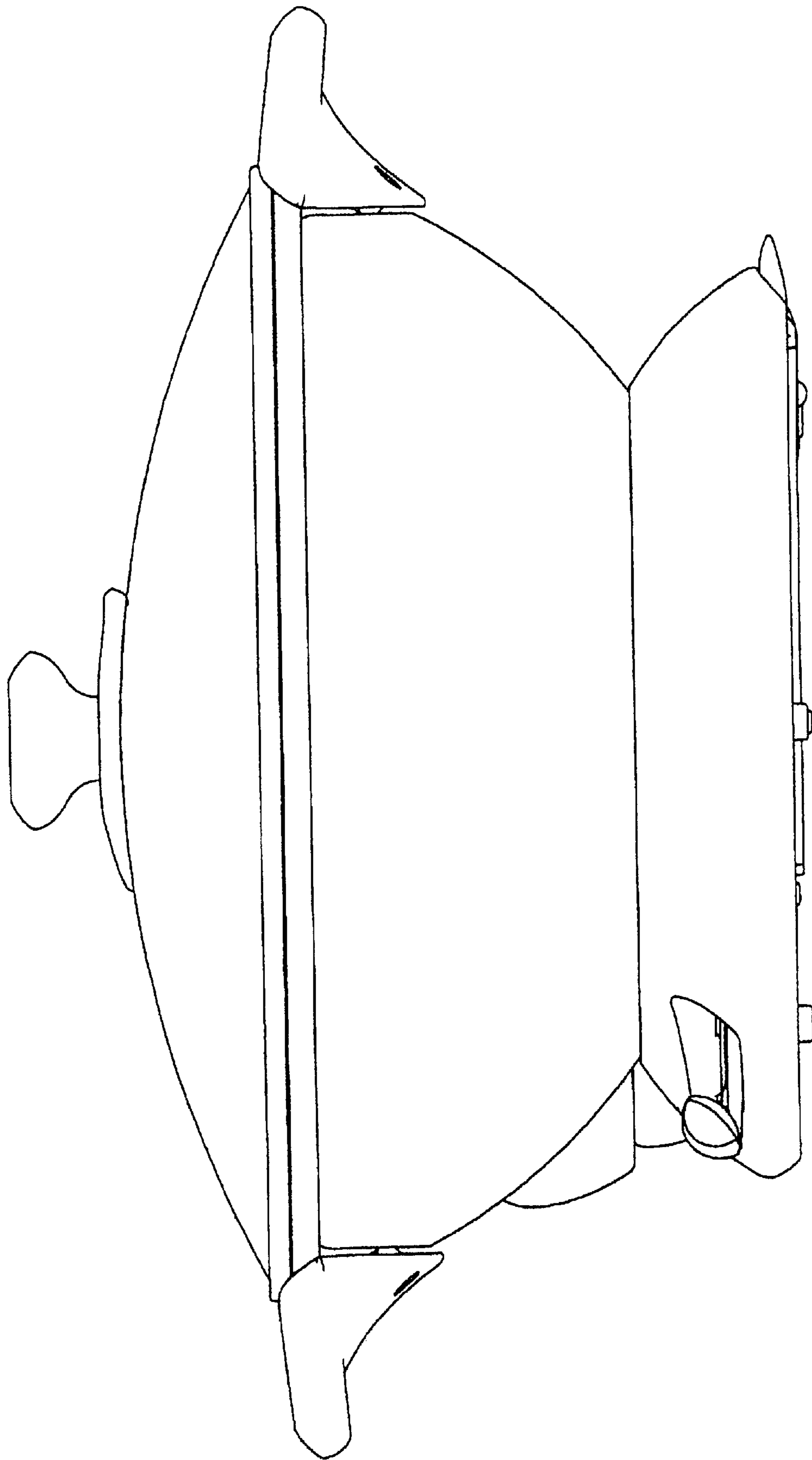


FIGURE 4

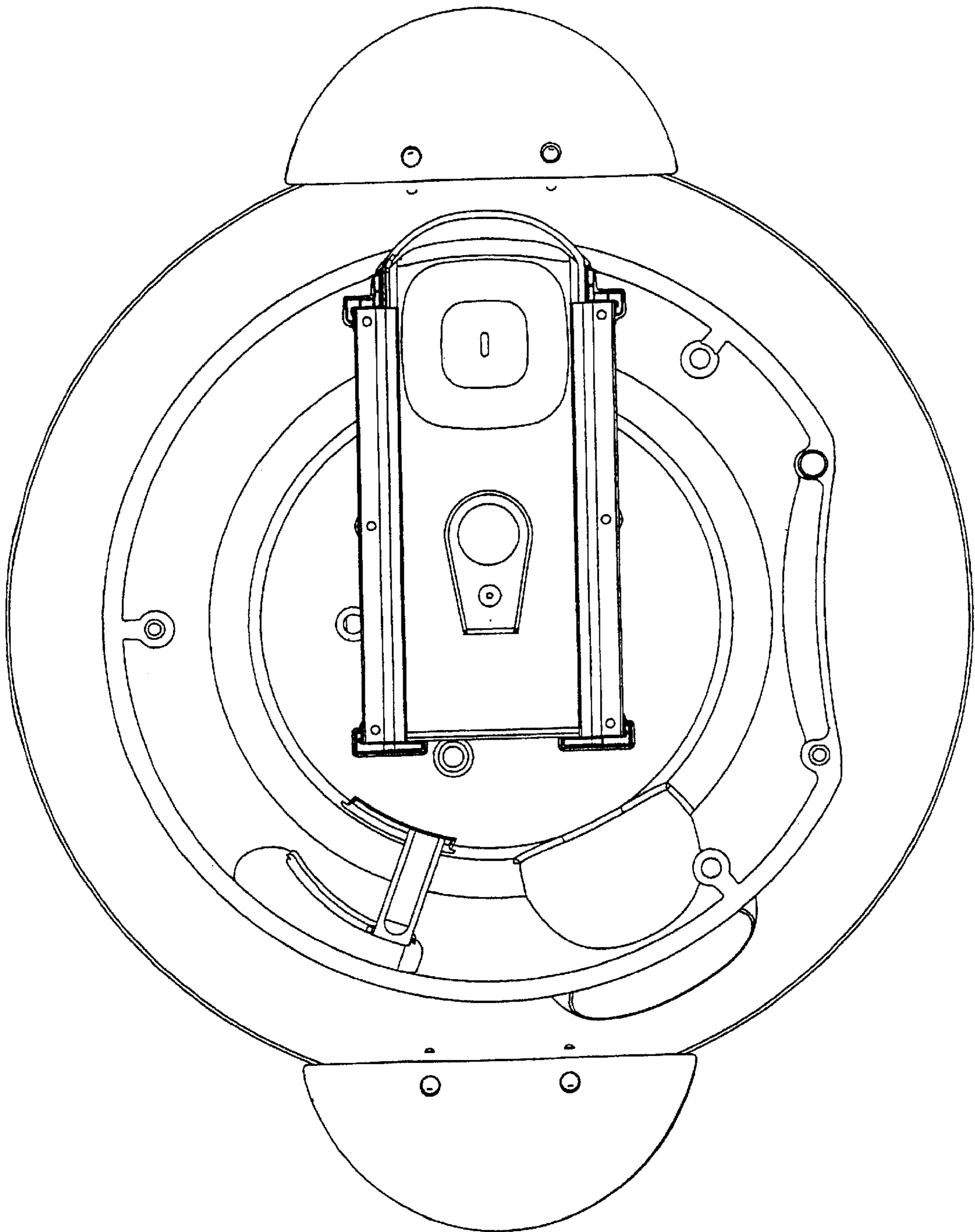


FIGURE 5

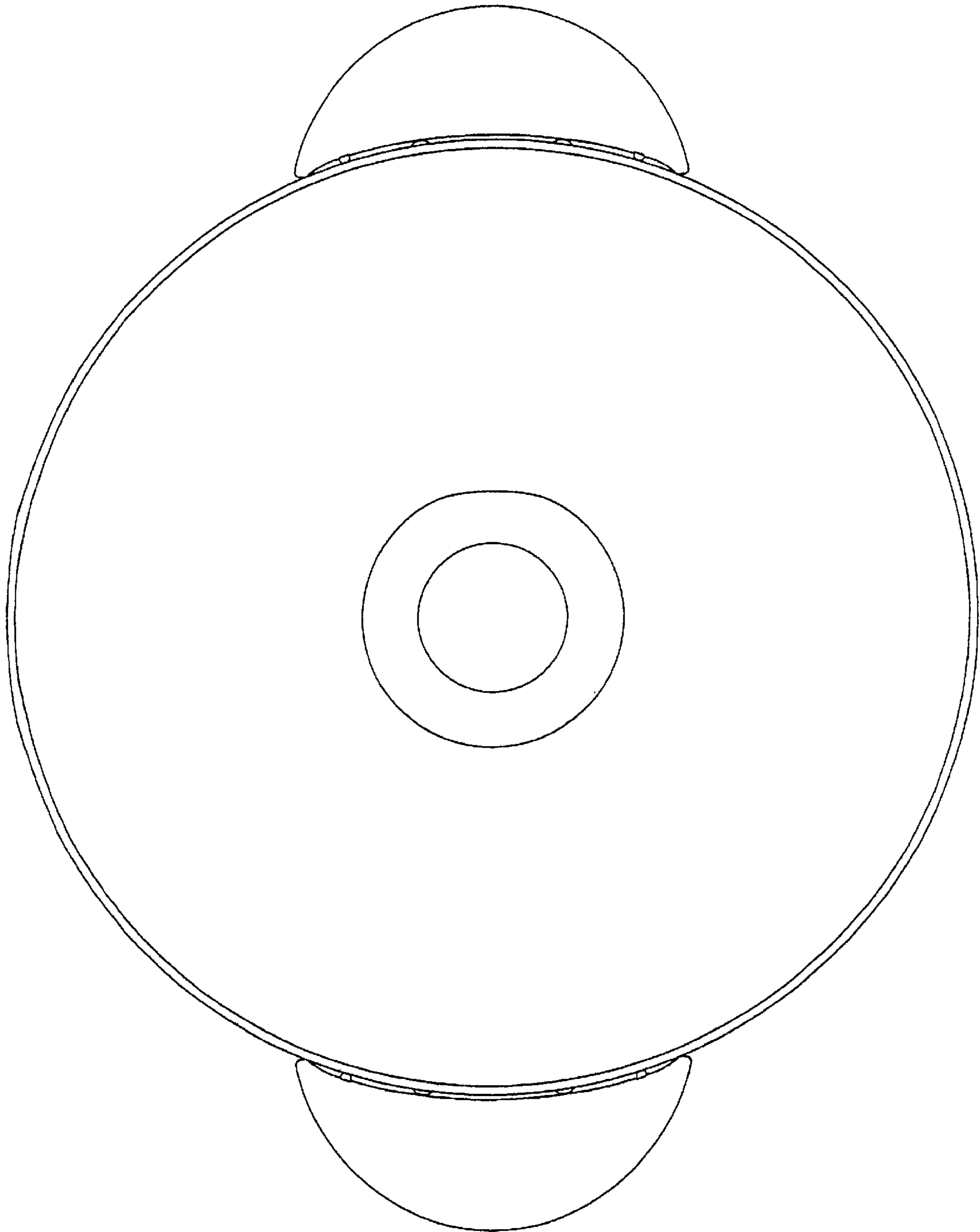


FIGURE 6

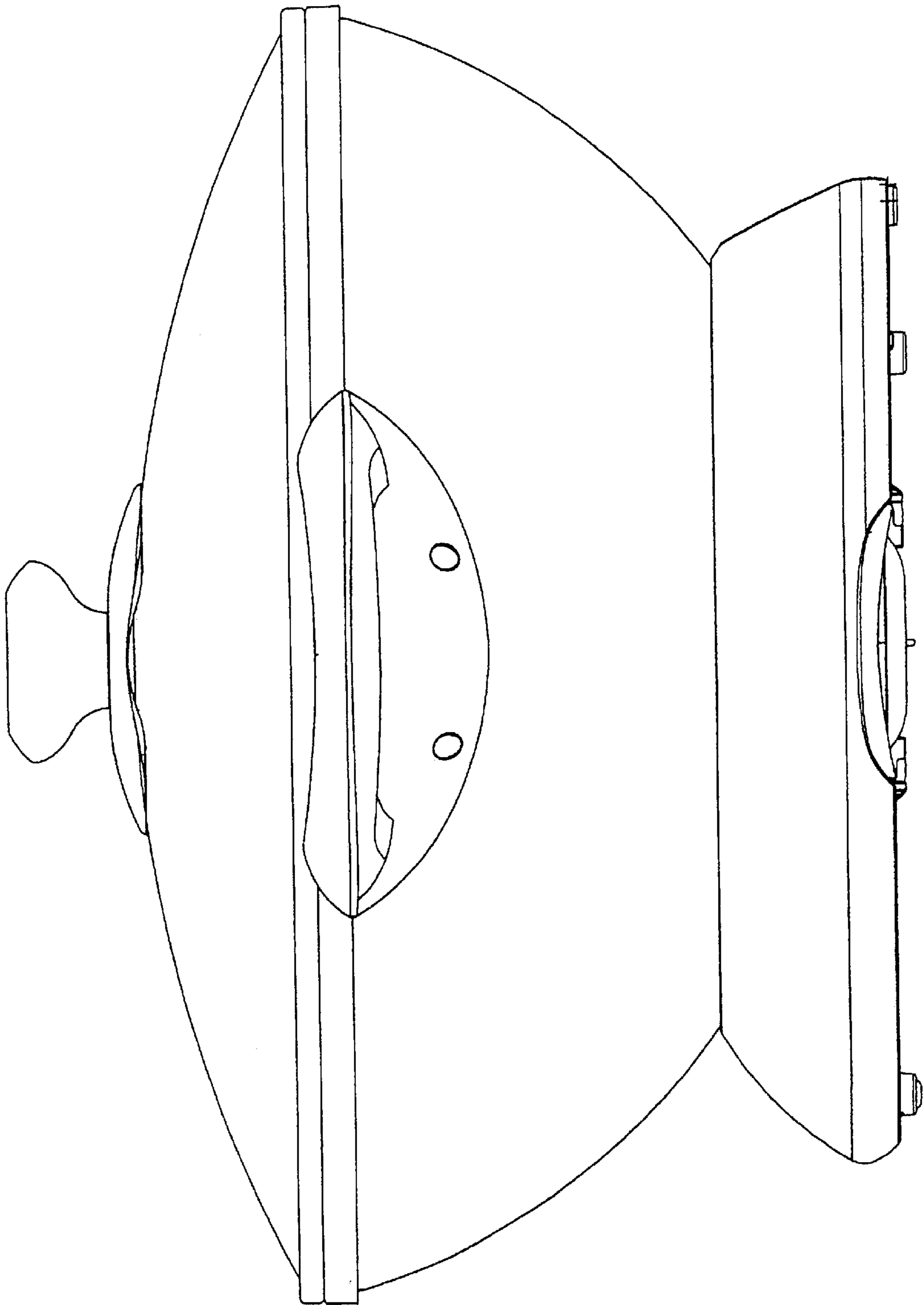


FIGURE 7

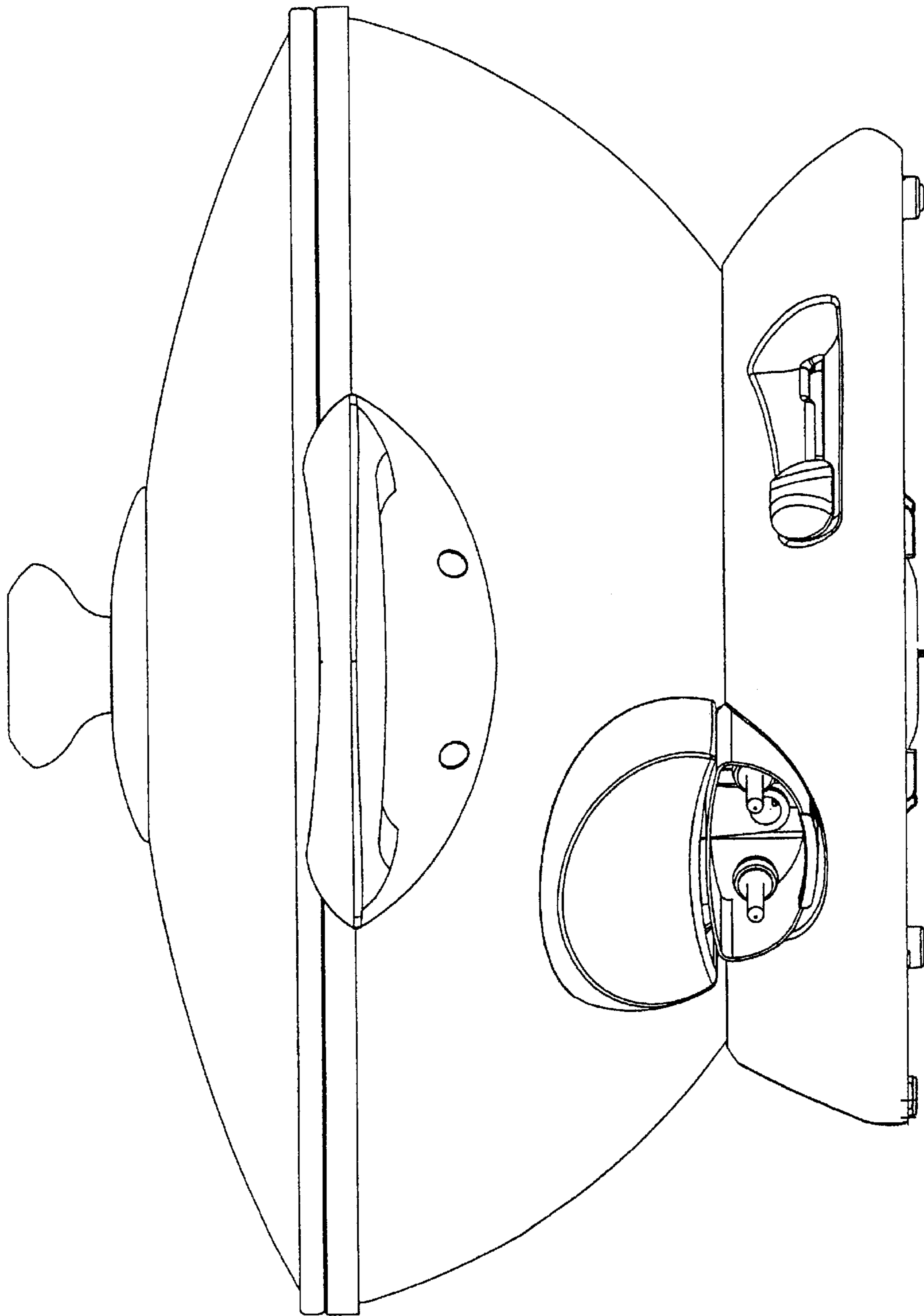


FIGURE 8