



US00D479430S

(12) **United States Design Patent**  
**Chung**

(10) **Patent No.:** **US D479,430 S**

(45) **Date of Patent:** **\*\* Sep. 9, 2003**

(54) **BARBECUE GRILL**

(75) **Inventor:** **Kiosky Chung, Taipei (TW)**

(73) **Assignee:** **Concept Innovation, Inc., Tortola (VG)**

(\*\*) **Term:** **14 Years**

(21) **Appl. No.:** **29/169,473**

(22) **Filed:** **Oct. 22, 2002**

(51) **LOC (7) Cl.** ..... **07-02**

(52) **U.S. Cl.** ..... **D7/334**

(58) **Field of Search** ..... D7/332-337, 402-404;  
126/25 R, 25 A, 25 AA, 9 R, 9 A, 9 B,  
38, 40, 41 R, 26, 29-30; 99/419, 421 R,  
421 H, 421 HV

(56) **References Cited**

**U.S. PATENT DOCUMENTS**

5,033,449	A	*	7/1991	Hanagan	.....	126/39	BA
D406,488	S	*	3/1999	Bates et al.	.....	D7/334	
D426,101	S	*	6/2000	Pai	.....	D7/334	
D450,525	S	*	11/2001	Giebel et al.	.....	D7/334	
D459,938	S	*	7/2002	Pai	.....	D7/334	

D460,313	S	*	7/2002	Crookshanks et al.	.....	D7/334	
6,422,230	B1	*	7/2002	Stewart et al.	.....	126/25	R
D462,564	S	*	9/2002	Brake et al.	.....	D7/334	
D464,524	S	*	10/2002	Pai	.....	D7/334	
D466,367	S	*	12/2002	Johnson et al.	.....	D7/402	
D472,422	S	*	4/2003	Pai	.....	D7/334	

\* cited by examiner

*Primary Examiner*—Ruth McInroy

(74) *Attorney, Agent, or Firm*—Bacon & Thomas, PLLC

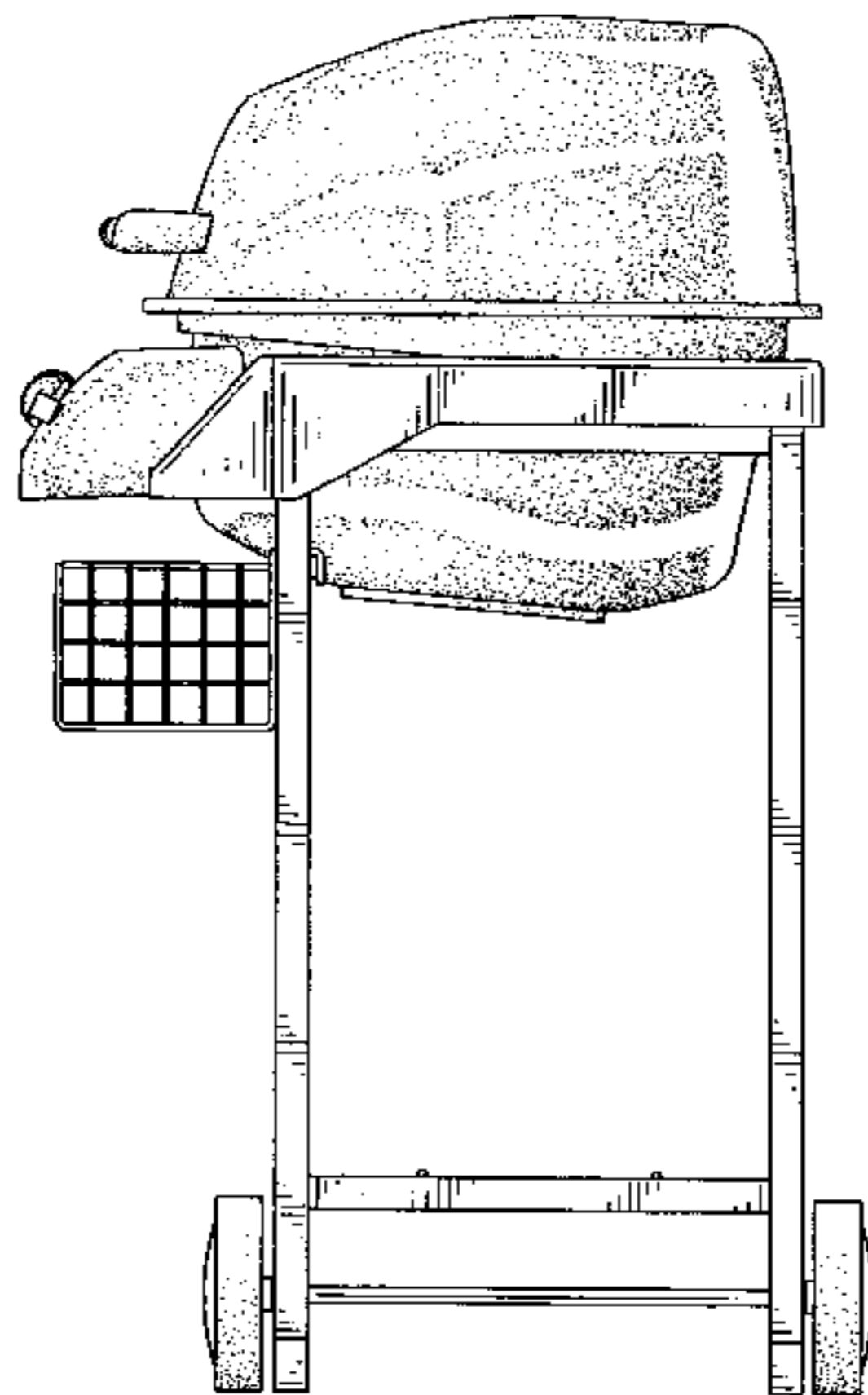
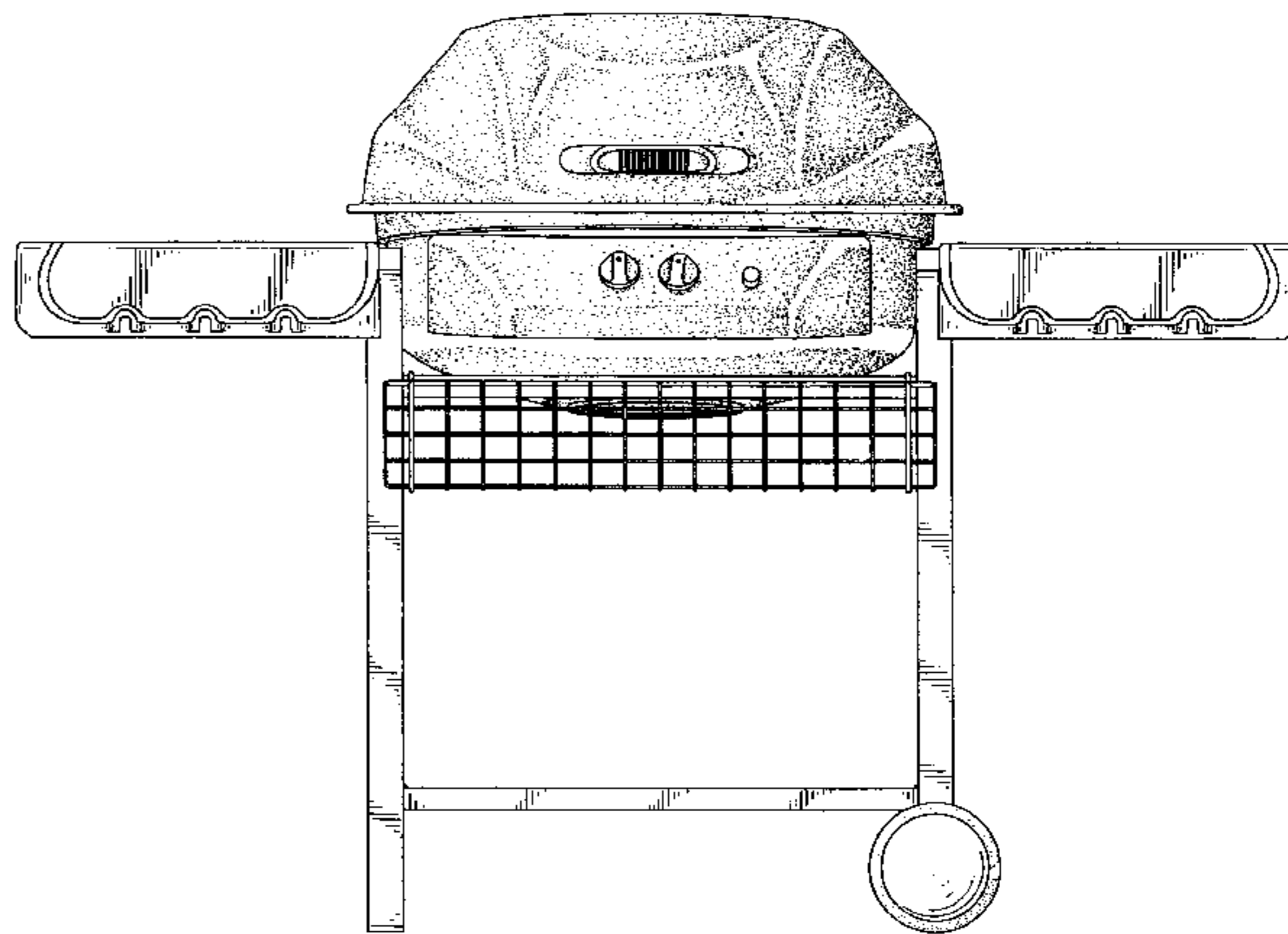
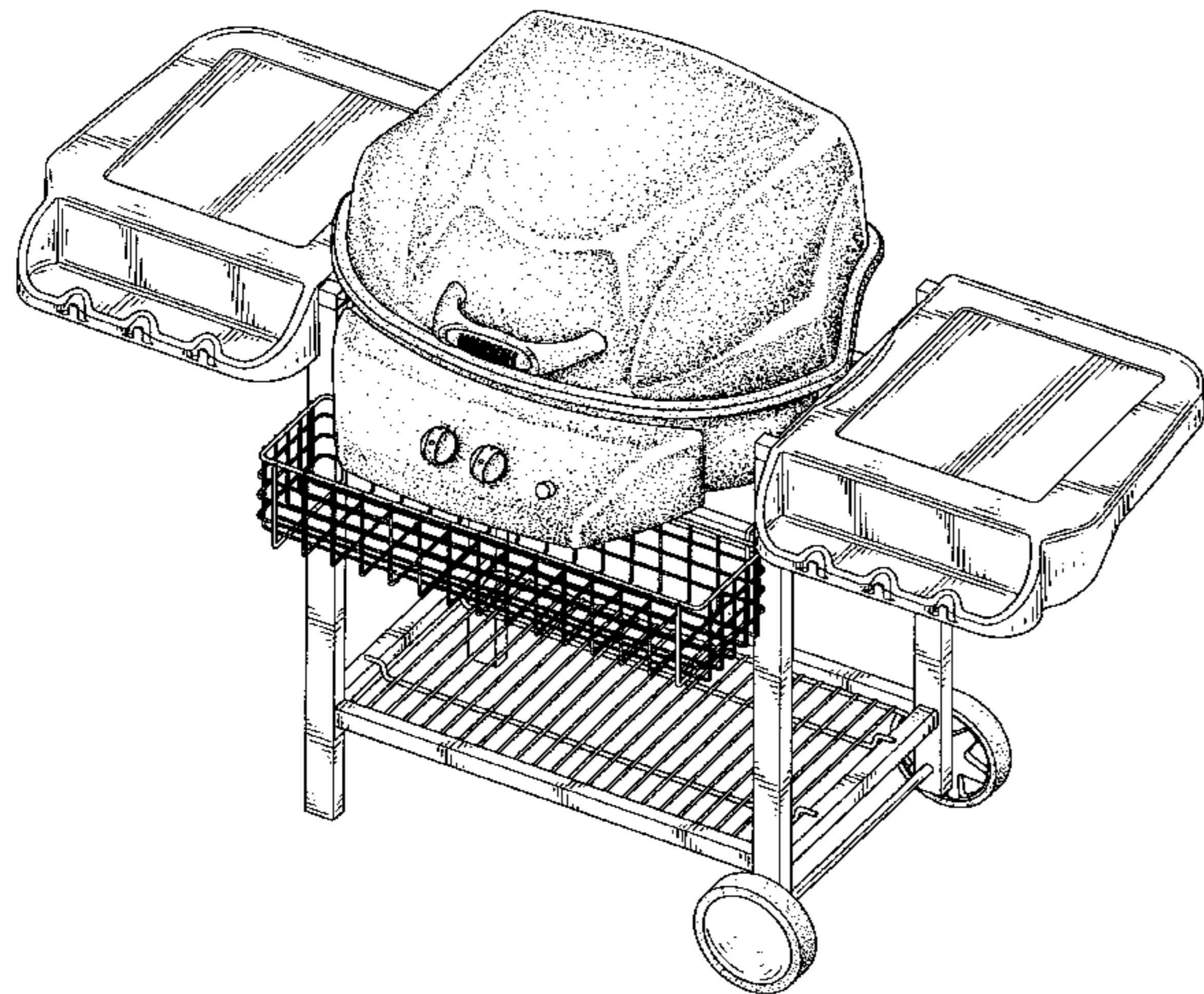
(57) **CLAIM**

The ornamental design for a barbecue grill, as shown.

**DESCRIPTION**

FIG. 1 is a perspective view of the barbecue grill showing my new design;  
 FIG. 2 is a front elevational view thereof;  
 FIG. 3 is a rear elevational view thereof;  
 FIG. 4 is a left side view thereof;  
 FIG. 5 is a right side view thereof;  
 FIG. 6 is a top plan view thereof; and,  
 FIG. 7 is a bottom plan view thereof.

**1 Claim, 6 Drawing Sheets**



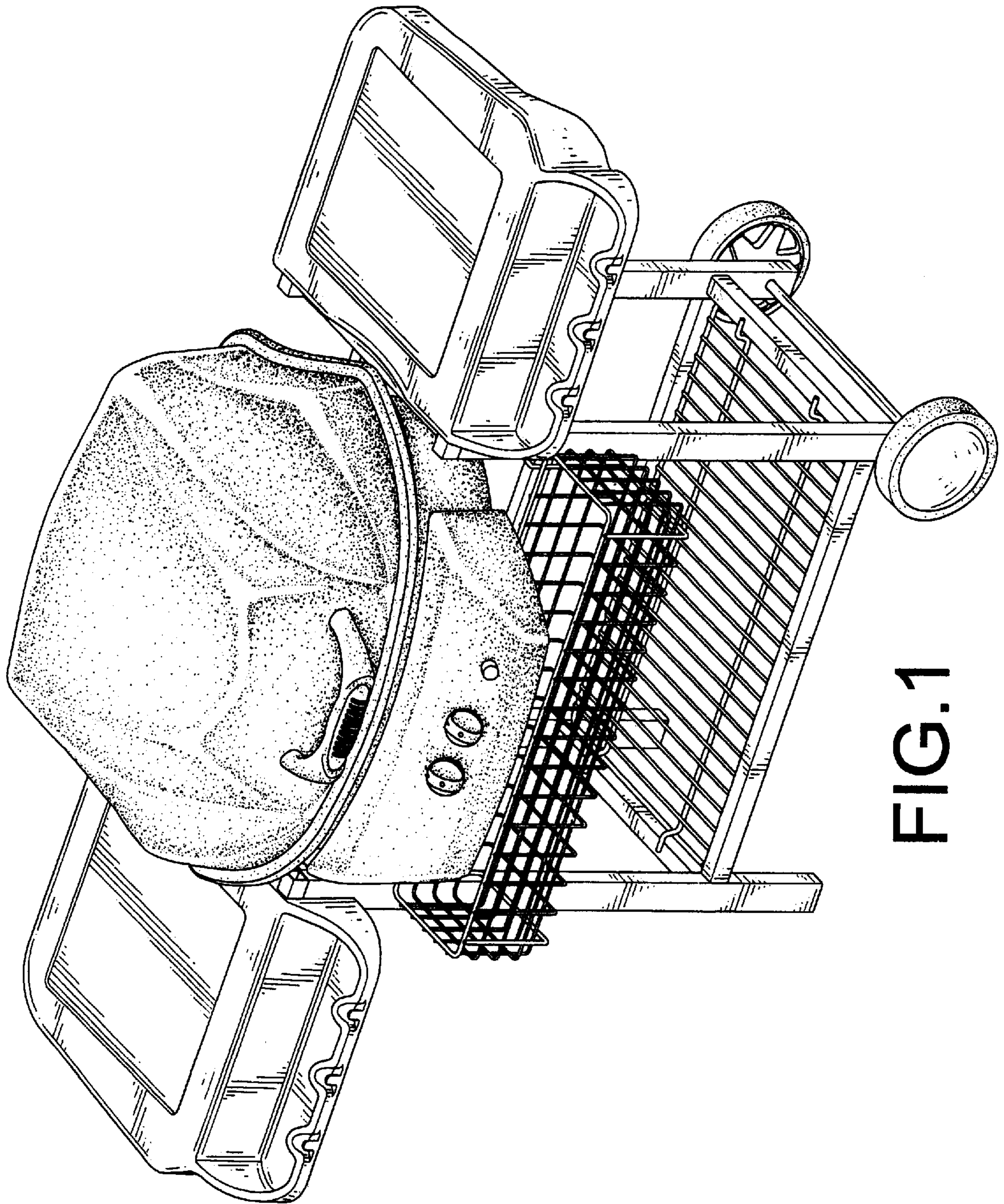


FIG.1

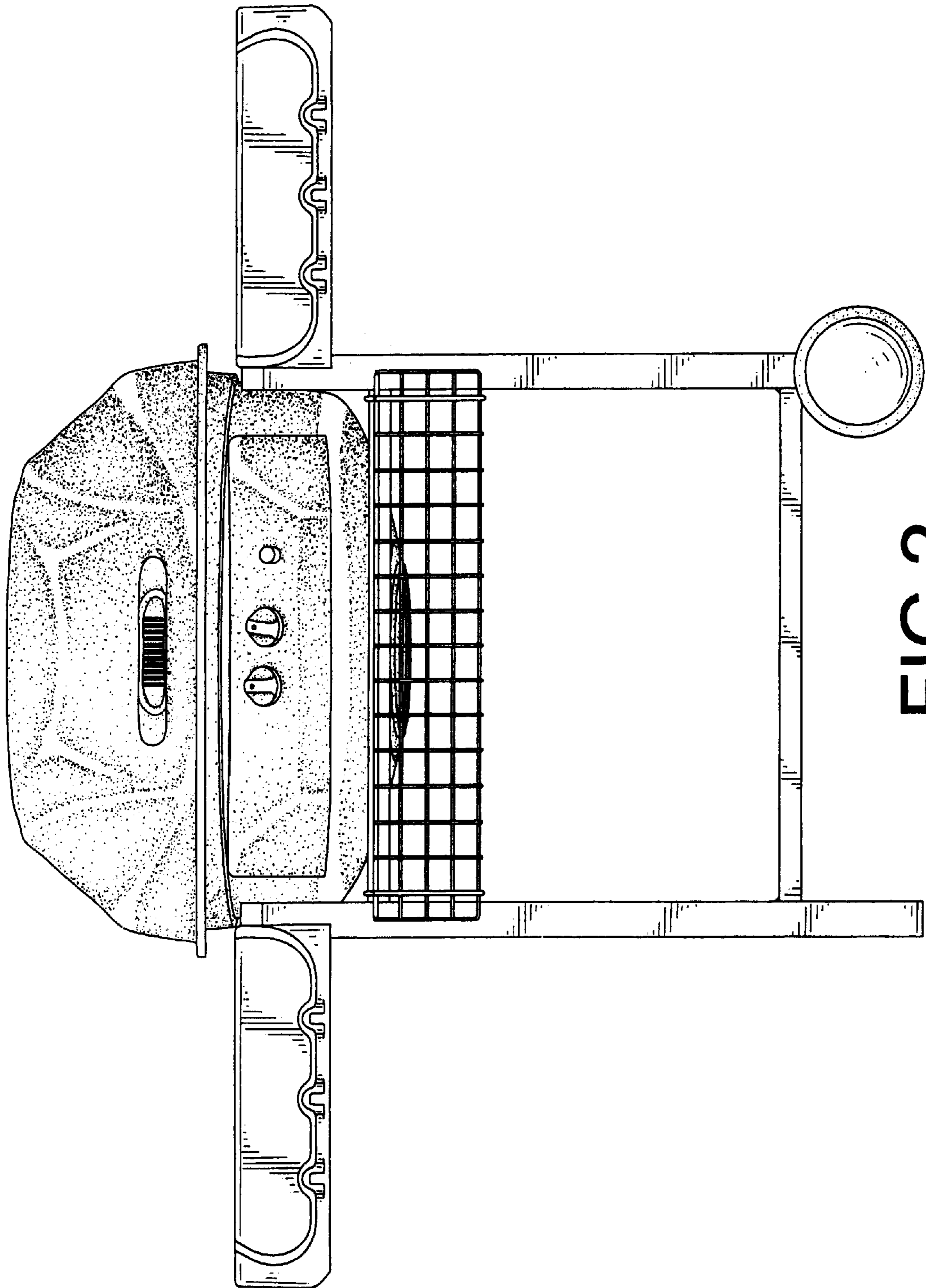


FIG.2

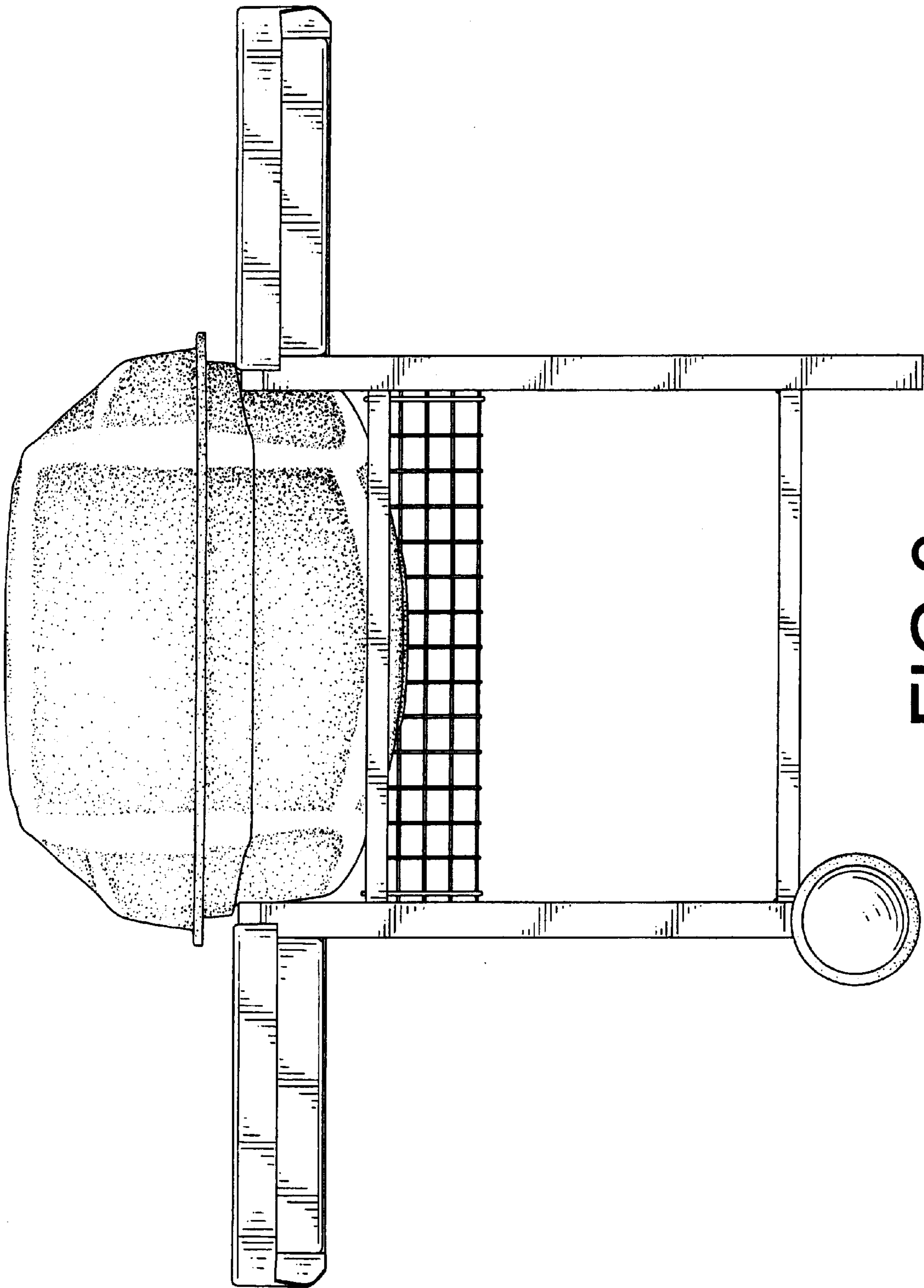


FIG.3

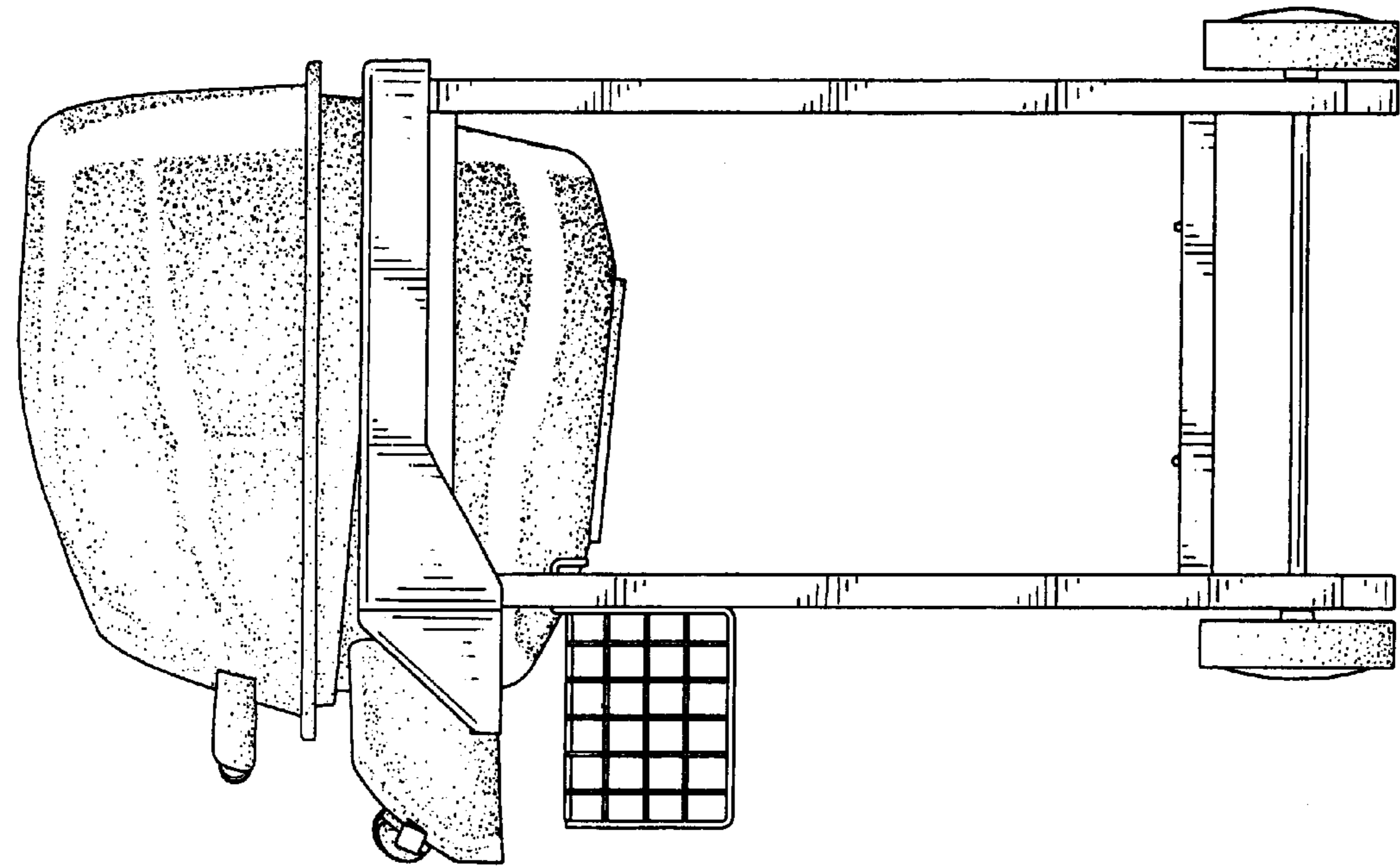


FIG.4

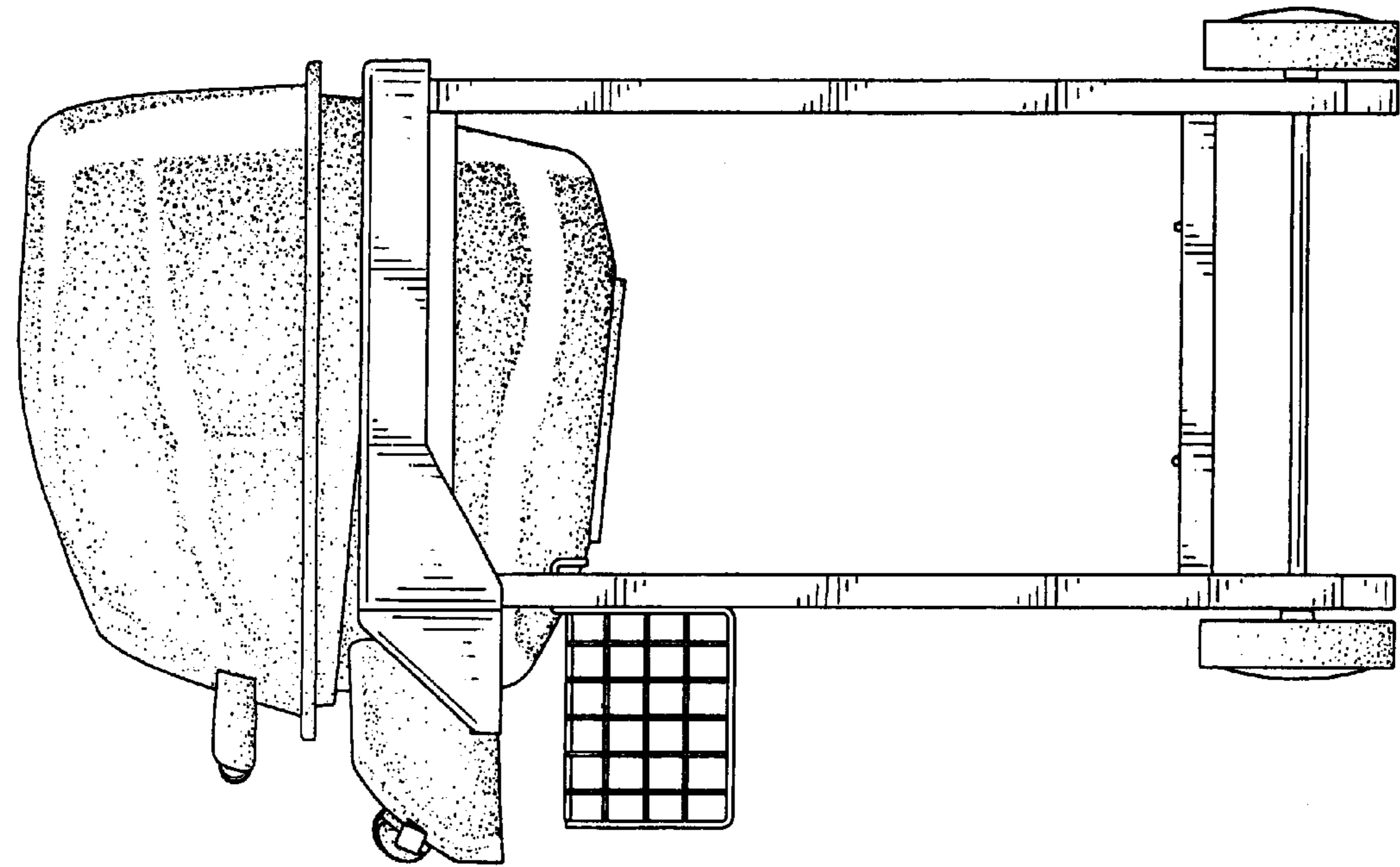


FIG.5

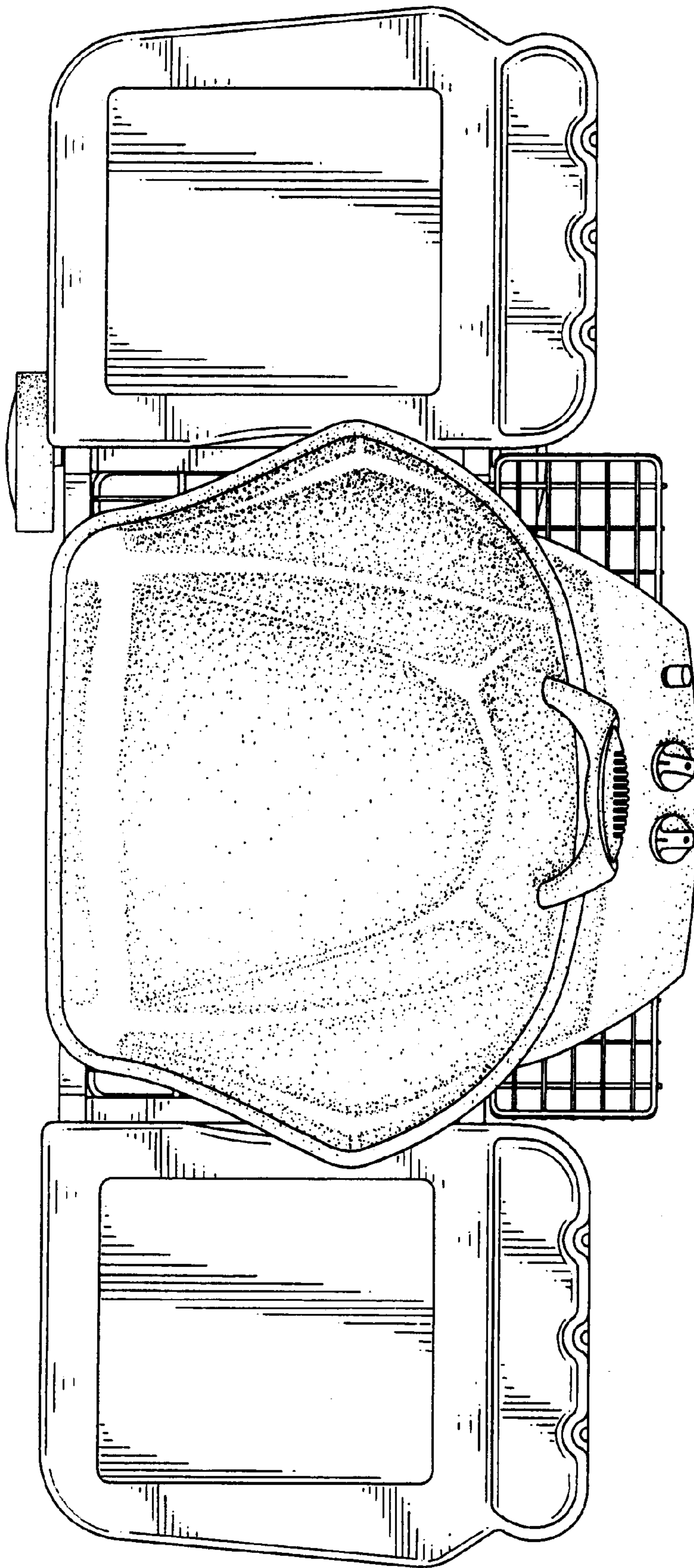


FIG.6

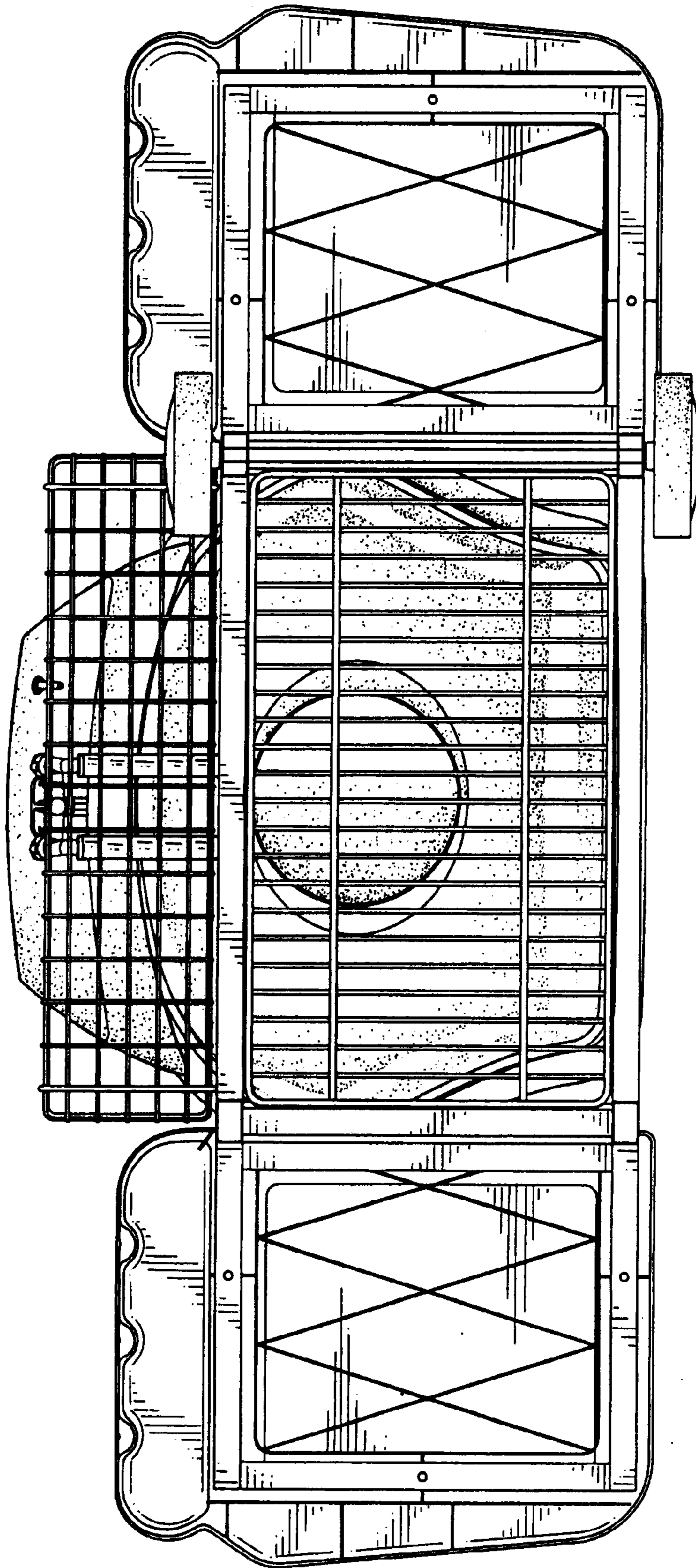


FIG.7