



US00D479423S

(12) **United States Design Patent**
Mahoney

(10) **Patent No.:** **US D479,423 S**

(45) **Date of Patent:** **** Sep. 9, 2003**

(54) **ATHLETIC EQUIPMENT HANGER**

(76) **Inventor:** **Michael J. Mahoney**, 8905 Versailles Dr., Bakersfield, CA (US) 93311

(**) **Term:** **14 Years**

(21) **Appl. No.:** **29/175,388**

(22) **Filed:** **Feb. 3, 2003**

(51) **LOC (7) Cl.** **08-08**

(52) **U.S. Cl.** **D6/552**

(58) **Field of Search** D6/552, 553, 513, D6/514; 211/13.1, 86.01, 113, 205, 206, 182

(56) **References Cited**

U.S. PATENT DOCUMENTS

4,193,495 A	3/1980	Keeley
D272,494 S	2/1984	Mahowald
4,629,065 A	12/1986	Braaten
4,957,259 A	9/1990	Wolf
D363,613 S	10/1995	Ehrmann

D378,167 S	2/1997	Jones
6,029,874 A	2/2000	Meggitt
6,216,887 B1	4/2001	Soo
D459,931 S	7/2002	Mahoney
D460,652 S	7/2002	Mahoney

Primary Examiner—Brian N. Vinson
(74) *Attorney, Agent, or Firm*—James M. Duncan

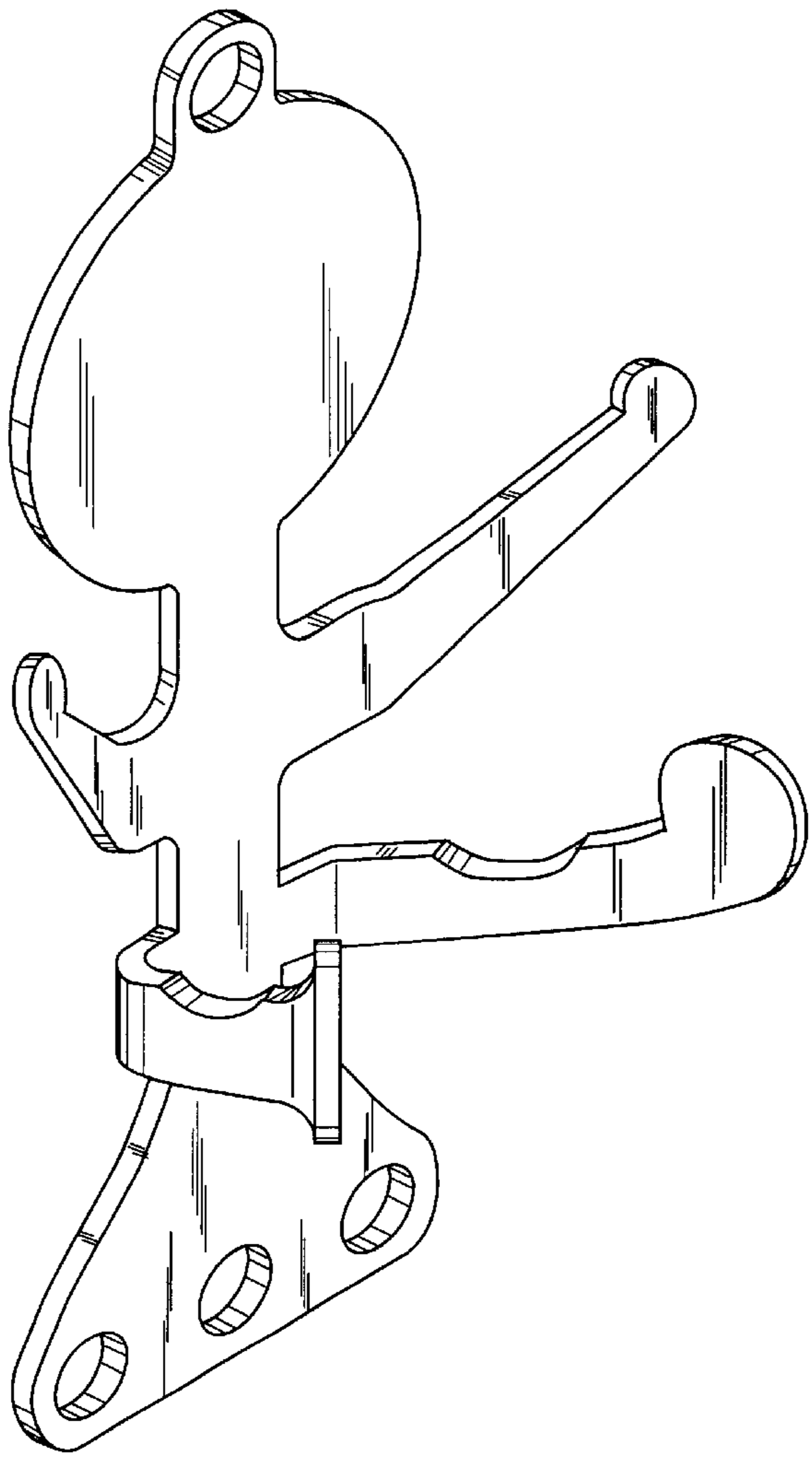
(57) **CLAIM**

The ornamental design for an athletic equipment hanger, as shown and described.

DESCRIPTION

FIG. 1 is a front perspective view of an athletic equipment hanger showing my new design; FIG. 2 is a top view thereof; FIG. 3 is a front view thereof; FIG. 4 is a rear view thereof; FIG. 5 is a bottom view thereof; and, FIG. 6 is a side thereof, the other side being a mirror image thereof.

1 Claim, 4 Drawing Sheets



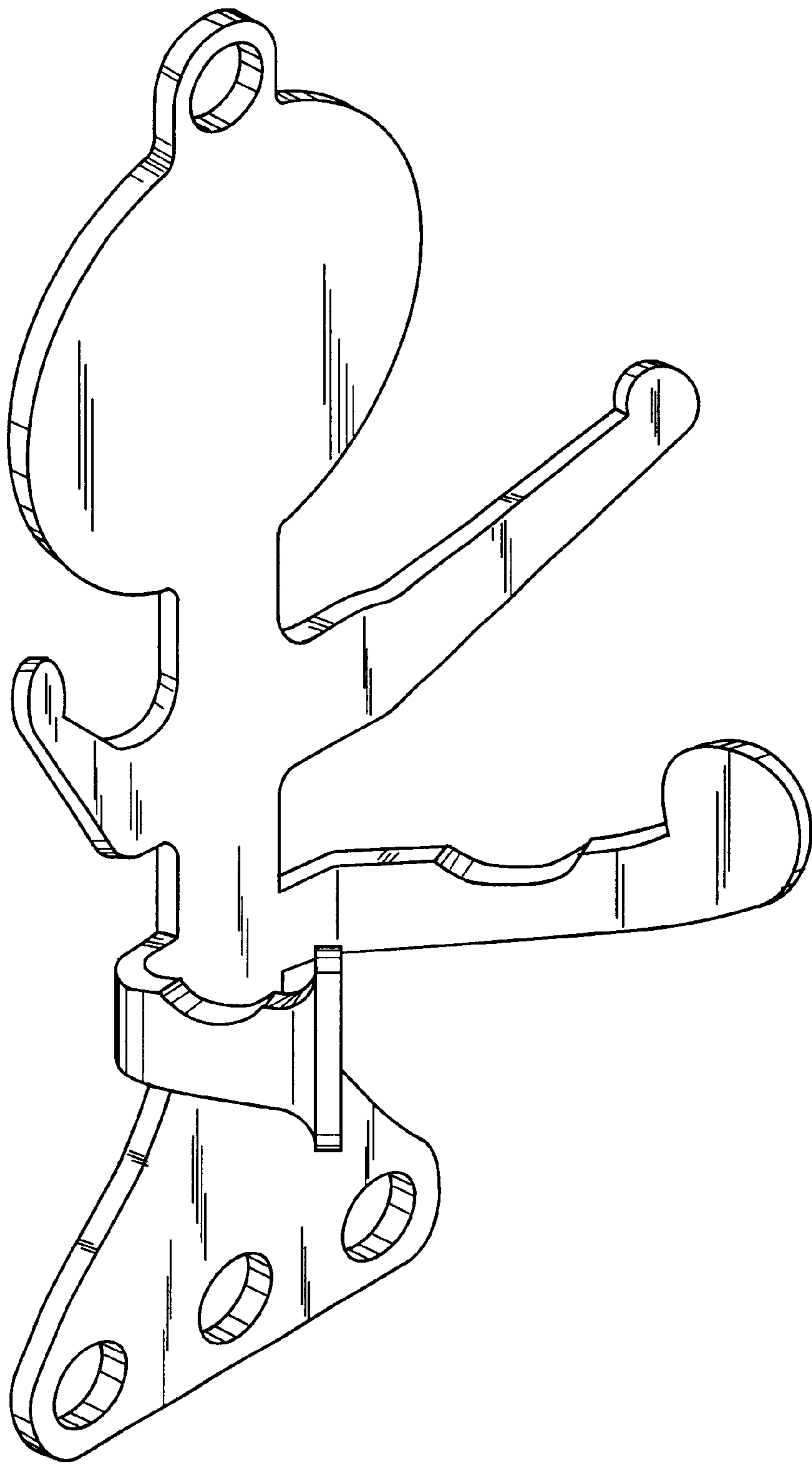


Fig. 1

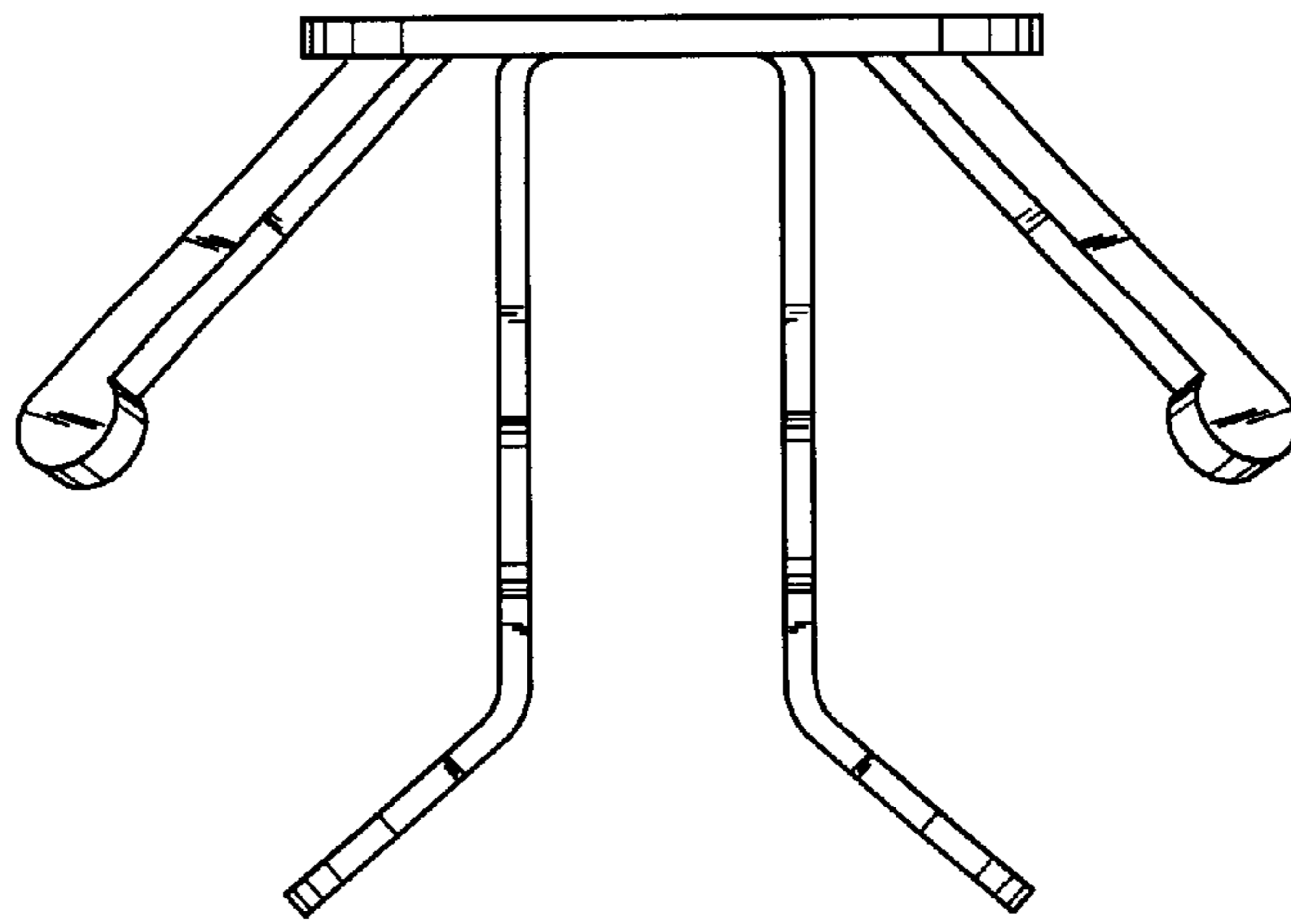


Fig. 2

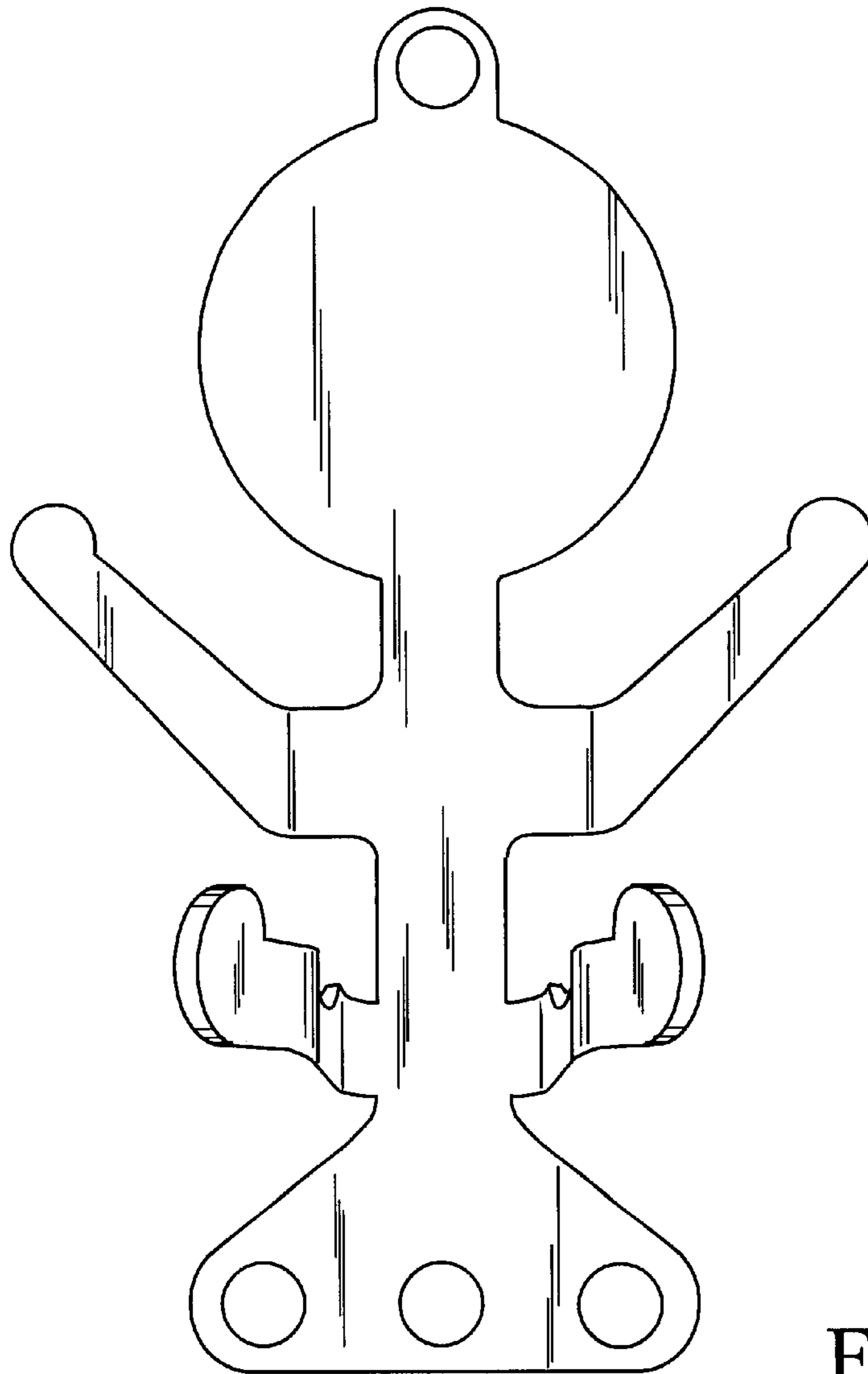


Fig. 3

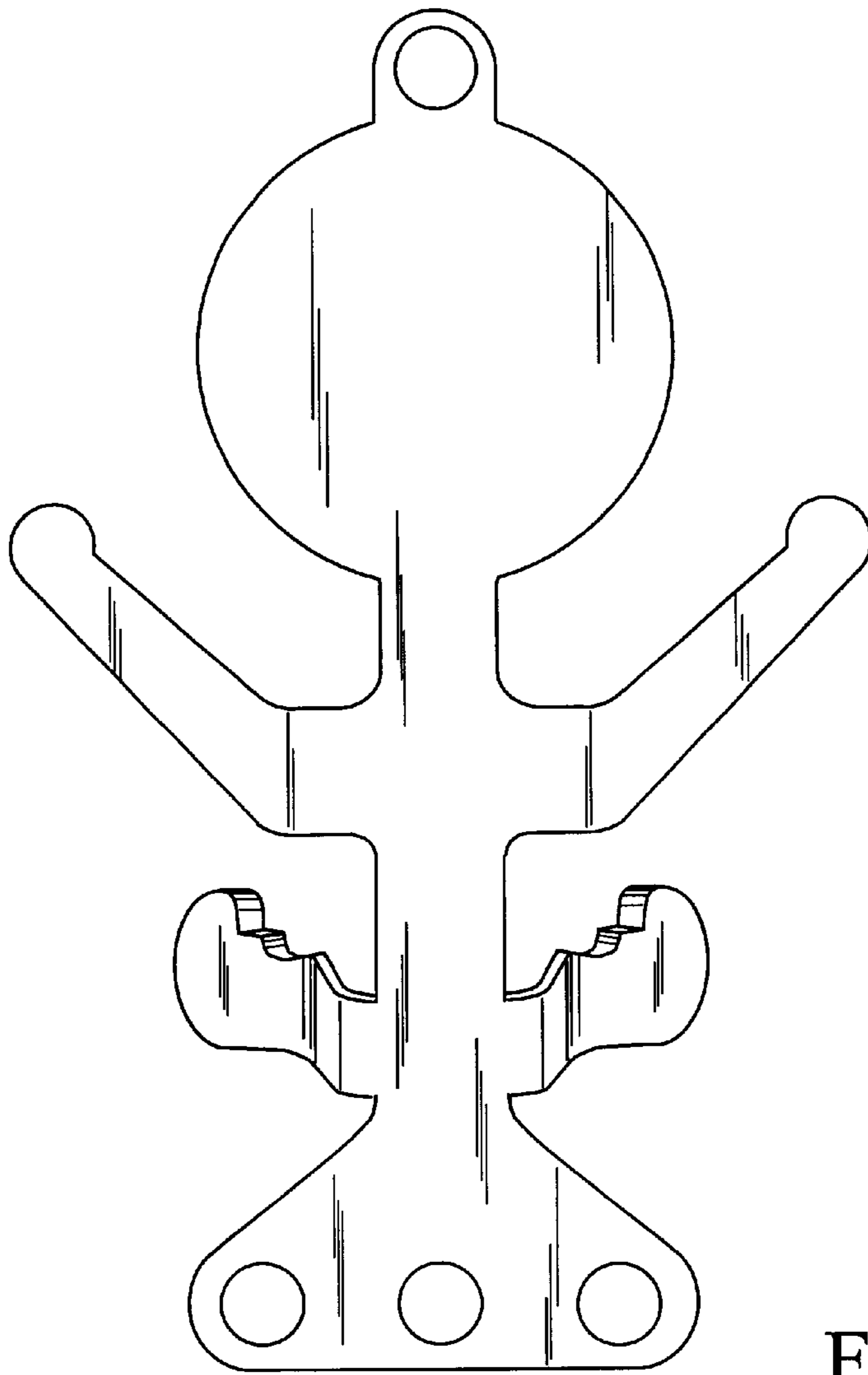


Fig. 4

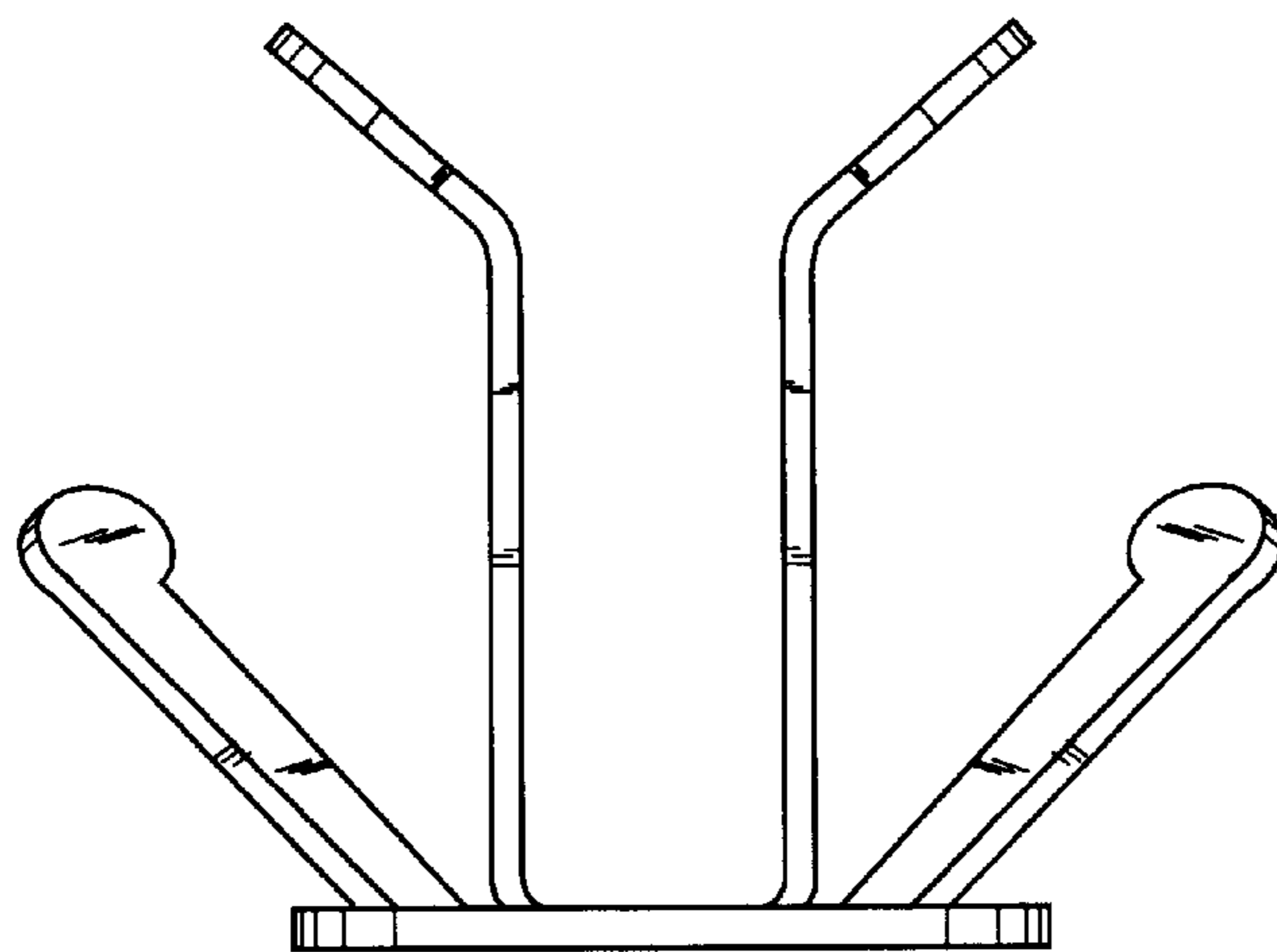


Fig. 5

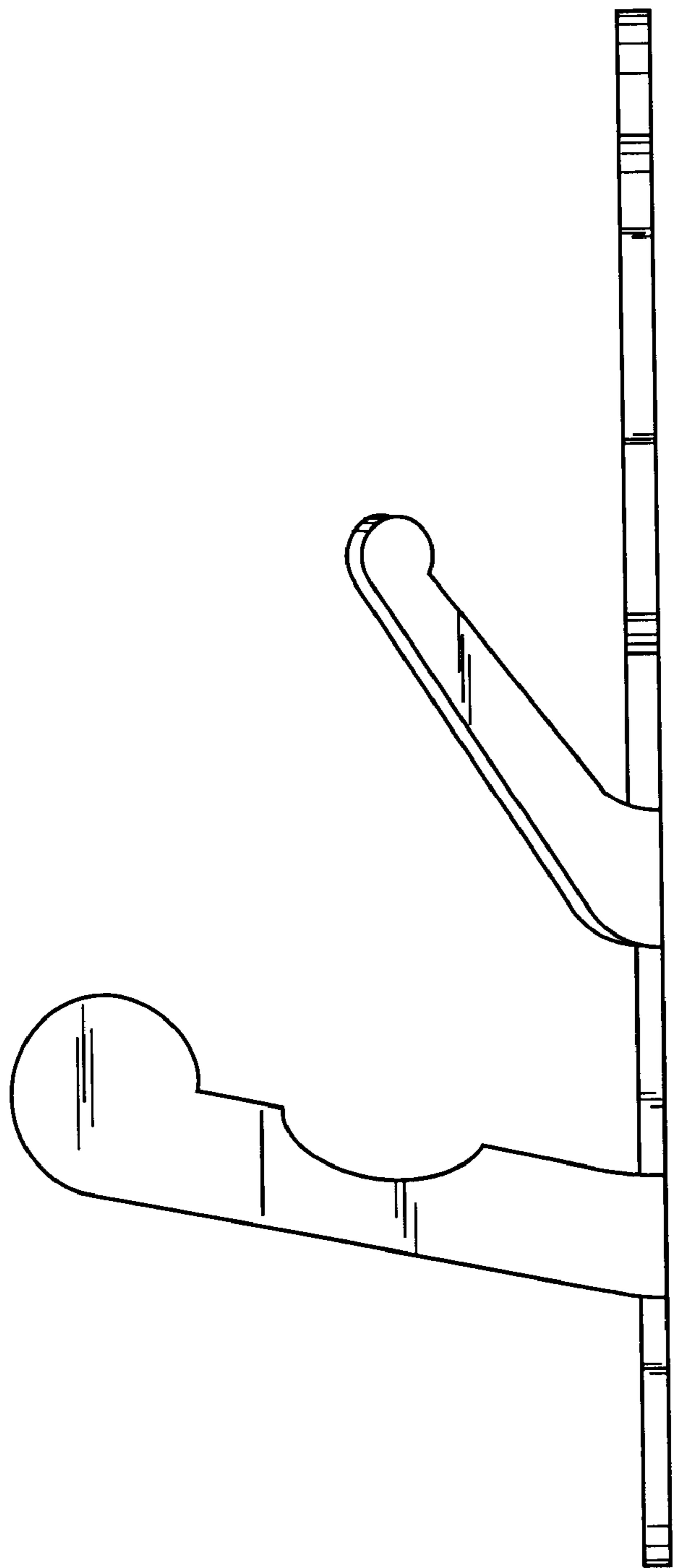


Fig. 6