



US00D479421S

(12) **United States Design Patent**
Snell

(10) **Patent No.:** **US D479,421 S**

(45) **Date of Patent:** **** Sep. 9, 2003**

(54) **CORNER BASKET**

(75) Inventor: **Russell Benton Snell**, Bentleyville, OH (US)

(73) Assignee: **InterDesign, Inc.**, Solon, OH (US)

(**) Term: **14 Years**

(21) Appl. No.: **29/169,653**

(22) Filed: **Oct. 24, 2002**

(51) **LOC (7) Cl.** **23-02**

(52) **U.S. Cl.** **D6/525**

(58) **Field of Search** D6/524, 525, 566, D6/567, 536, 540, 562; 206/77.1, 207, 557; 211/10, 13.1, 71.01, 86.01, 87.01, 88.01, 90.1, 126.1, 133.5, 134, 181.1

(56) **References Cited**

U.S. PATENT DOCUMENTS

4,708,310 A	*	11/1987	Smith	211/90.01 X
D323,439 S	*	1/1992	Emery	D6/562
D362,780 S		10/1995	Hampshire		
D379,891 S	*	6/1997	Hampshire	D6/525
D399,381 S	*	10/1998	Hoernig	D6/566
D407,251 S		3/1999	Hampshire		
D408,185 S	*	4/1999	Hofman	D6/562
5,971,192 A		10/1999	Immerman et al.		
D419,020 S	*	1/2000	Emery et al.	D6/562
D449,478 S		10/2001	Snell		
D449,479 S		10/2001	Snell		

D449,480 S	10/2001	Snell
D449,481 S	10/2001	Snell
D449,752 S	10/2001	Snell
D464,516 S	10/2002	Snell

* cited by examiner

Primary Examiner—Brian N. Vinson
(74) *Attorney, Agent, or Firm*—D. Peter Hochberg; Katherine R. Vieyra; Sean Mellino

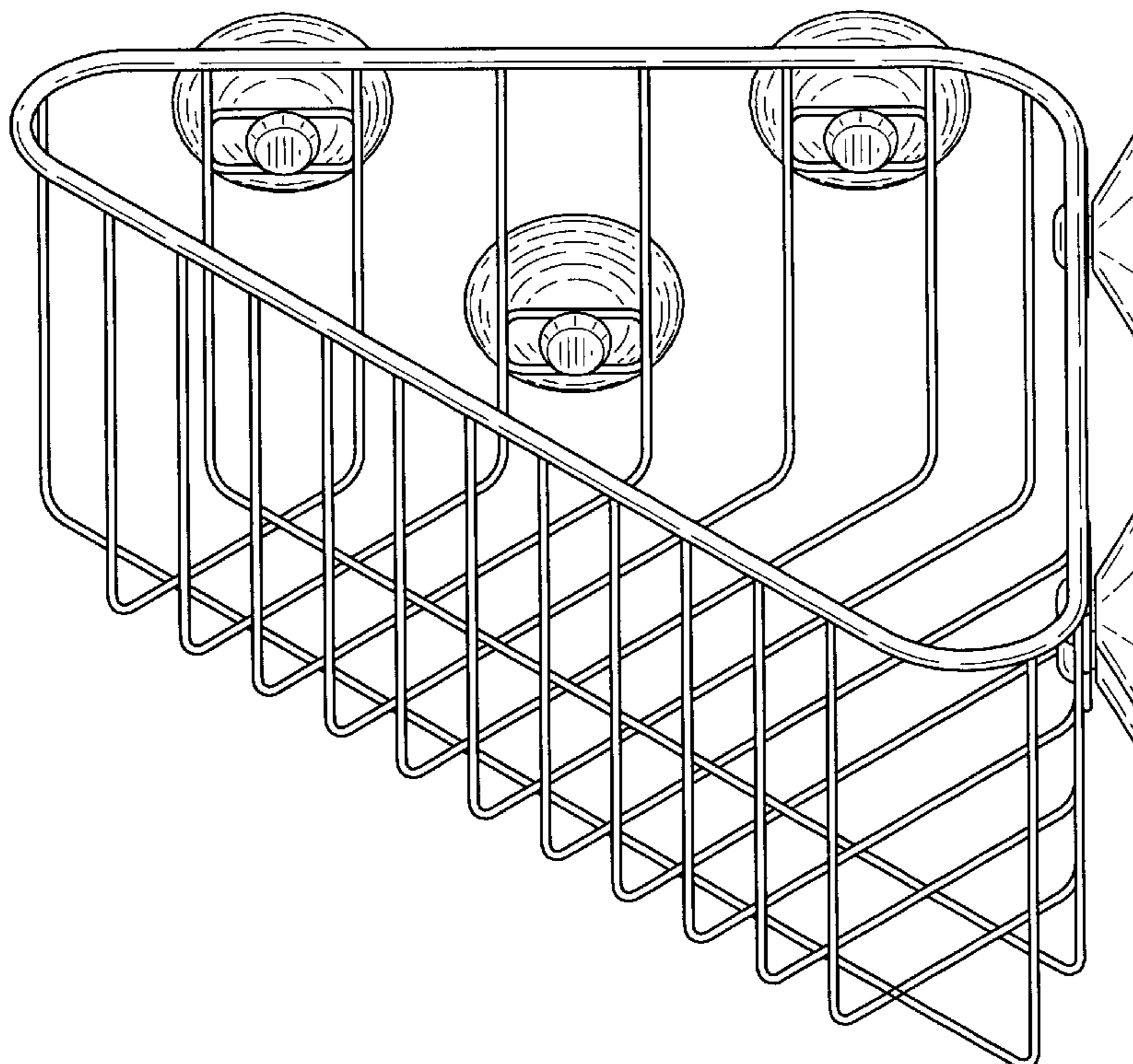
(57) **CLAIM**

The ornamental design for a corner basket, as shown and described.

DESCRIPTION

FIG. 1 is a perspective view of the corner basket according to the invention;
FIG. 2 is a front view of the corner basket as shown in FIG. 1;
FIG. 3 is a top view of the corner basket as shown in FIG. 1;
FIG. 4 is a side view of the corner basket as shown in FIG. 1;
FIG. 5 is a bottom view of the corner basket as shown in FIG. 1;
FIG. 6 is a side view of the corner basket as shown in FIG. 1, as shown from the opposite of that shown in FIG. 4; and, FIG. 7 is a rear view of the corner basket as shown in FIG. 1.

1 Claim, 3 Drawing Sheets



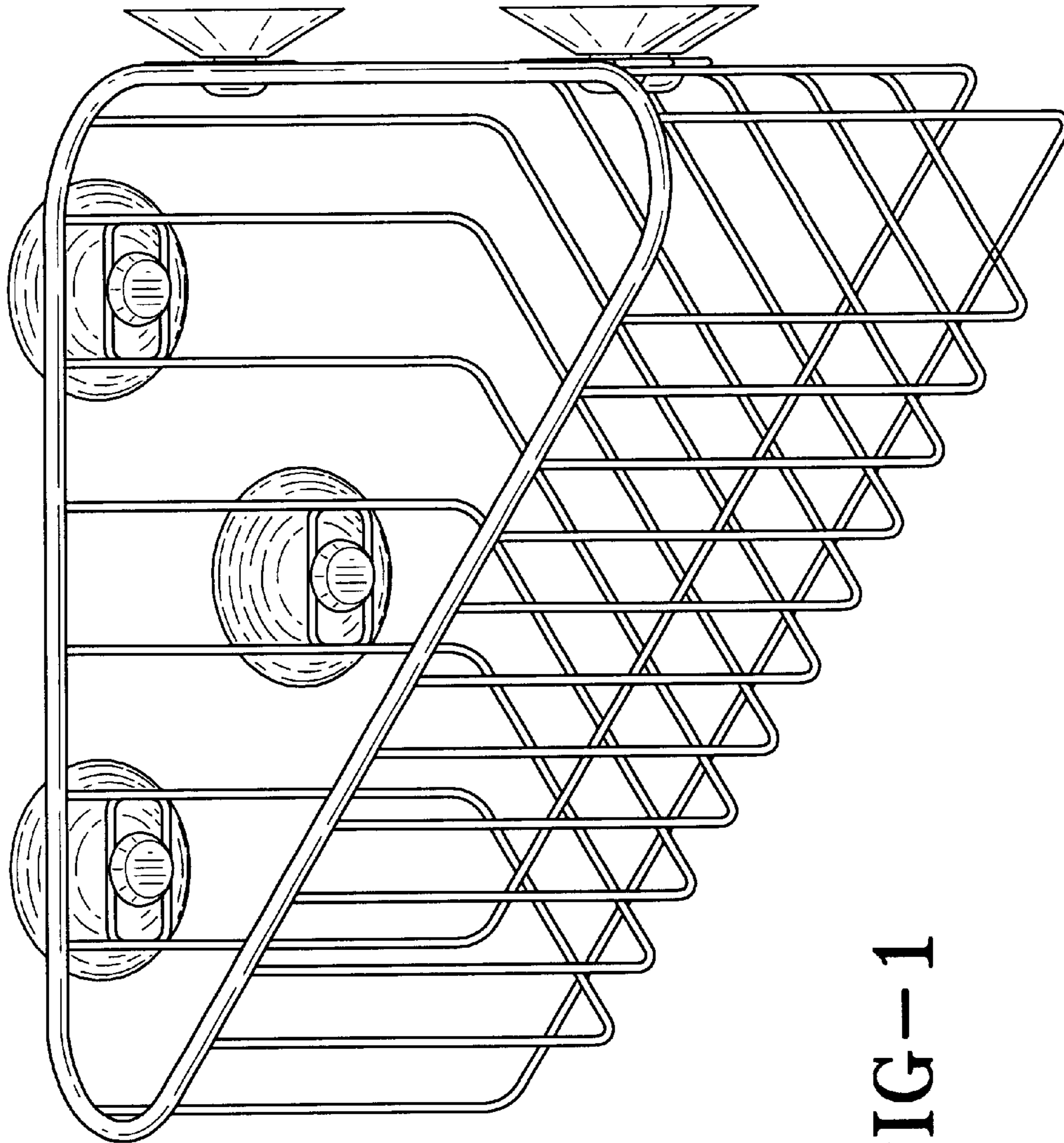


FIG-1

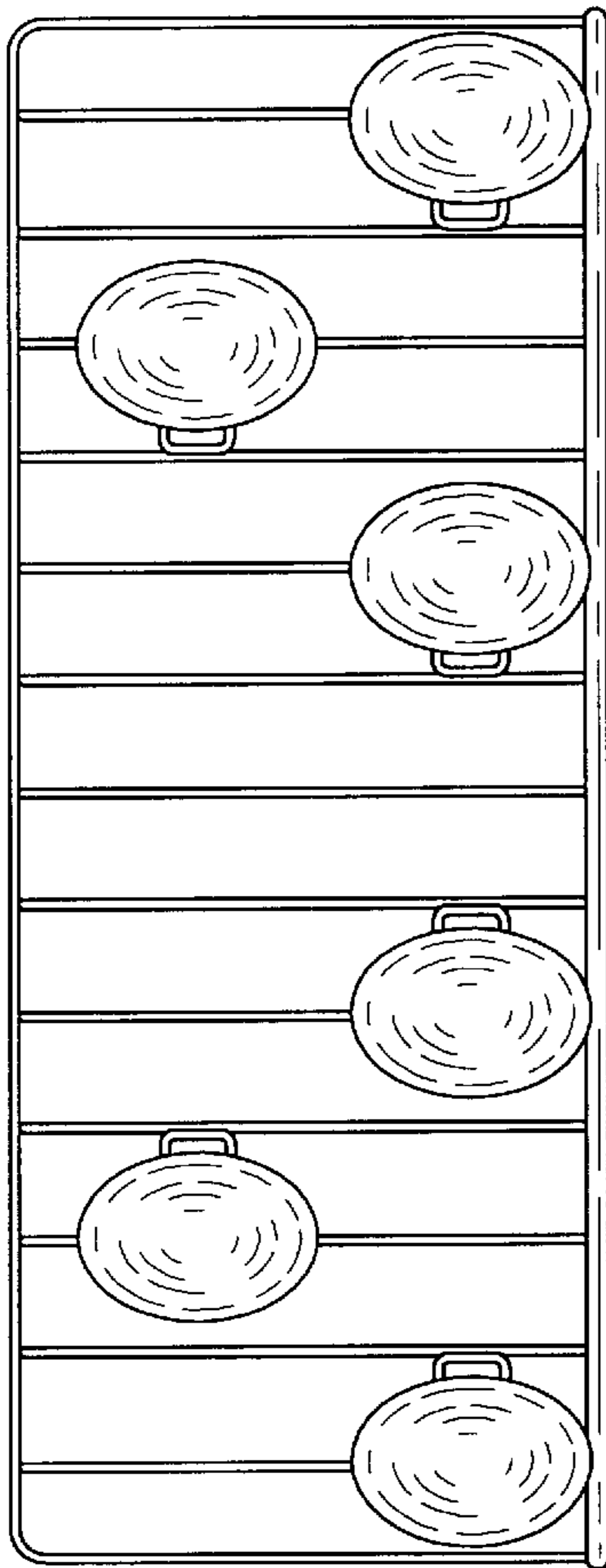


FIG-2

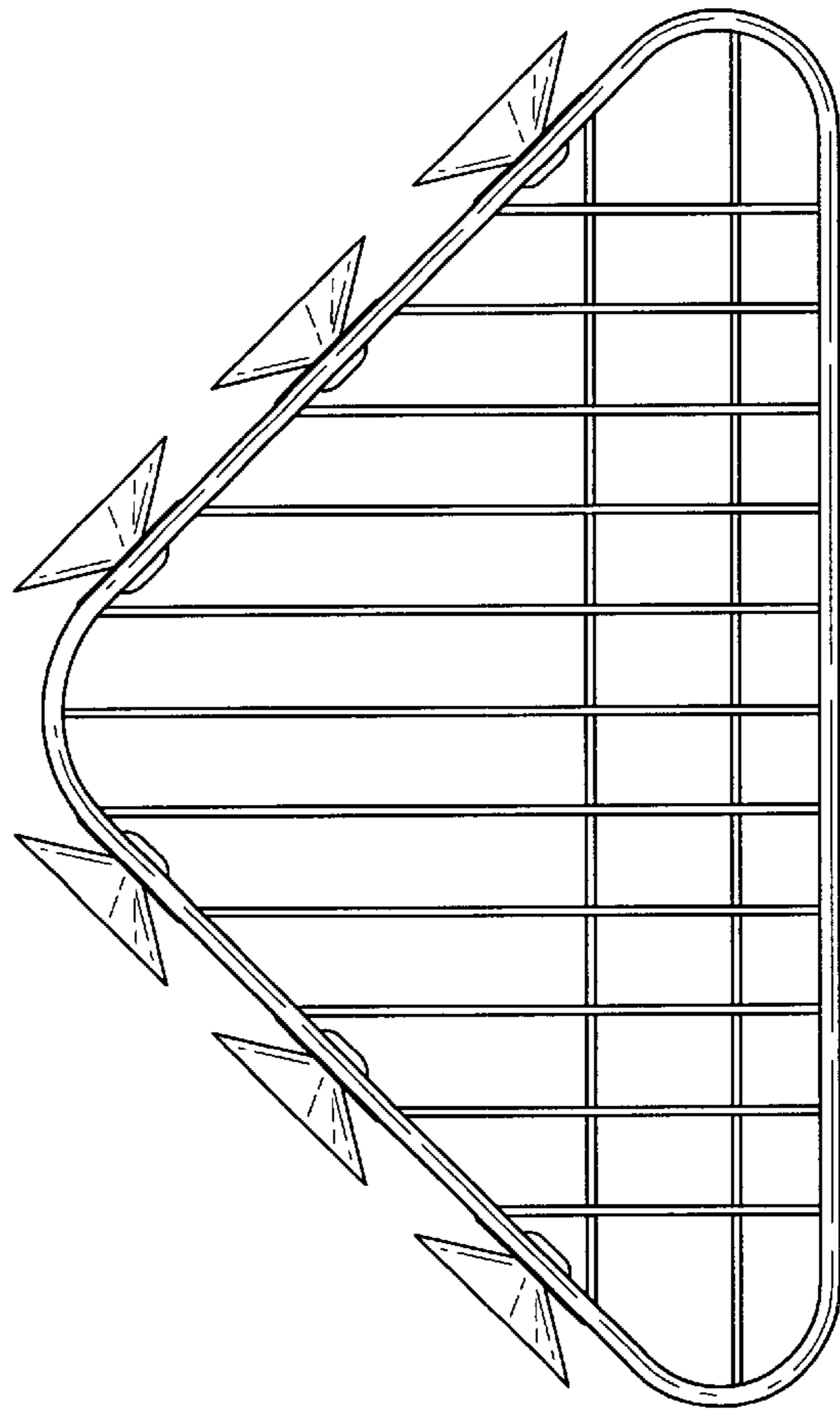


FIG-3

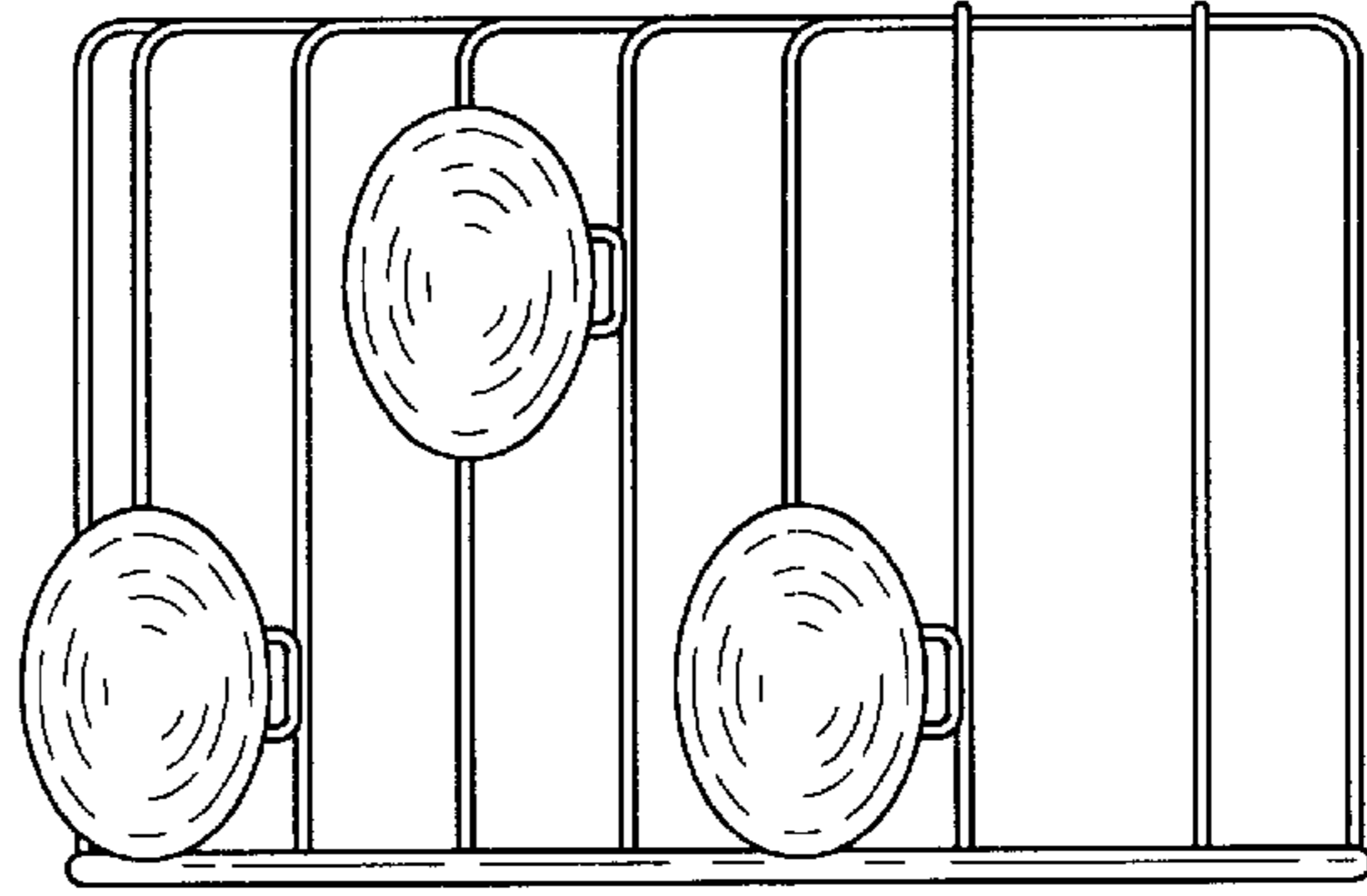


FIG-4

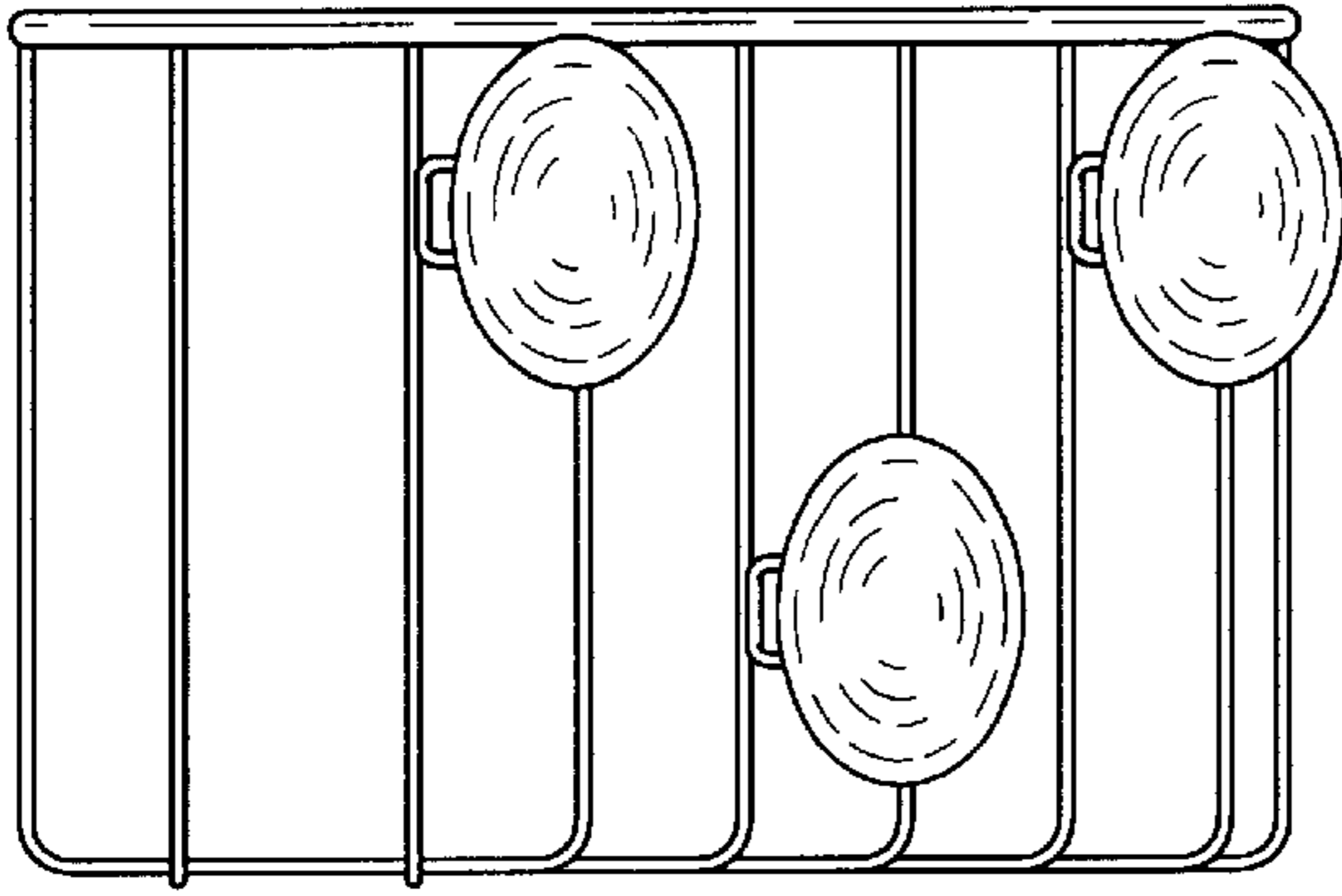


FIG-6

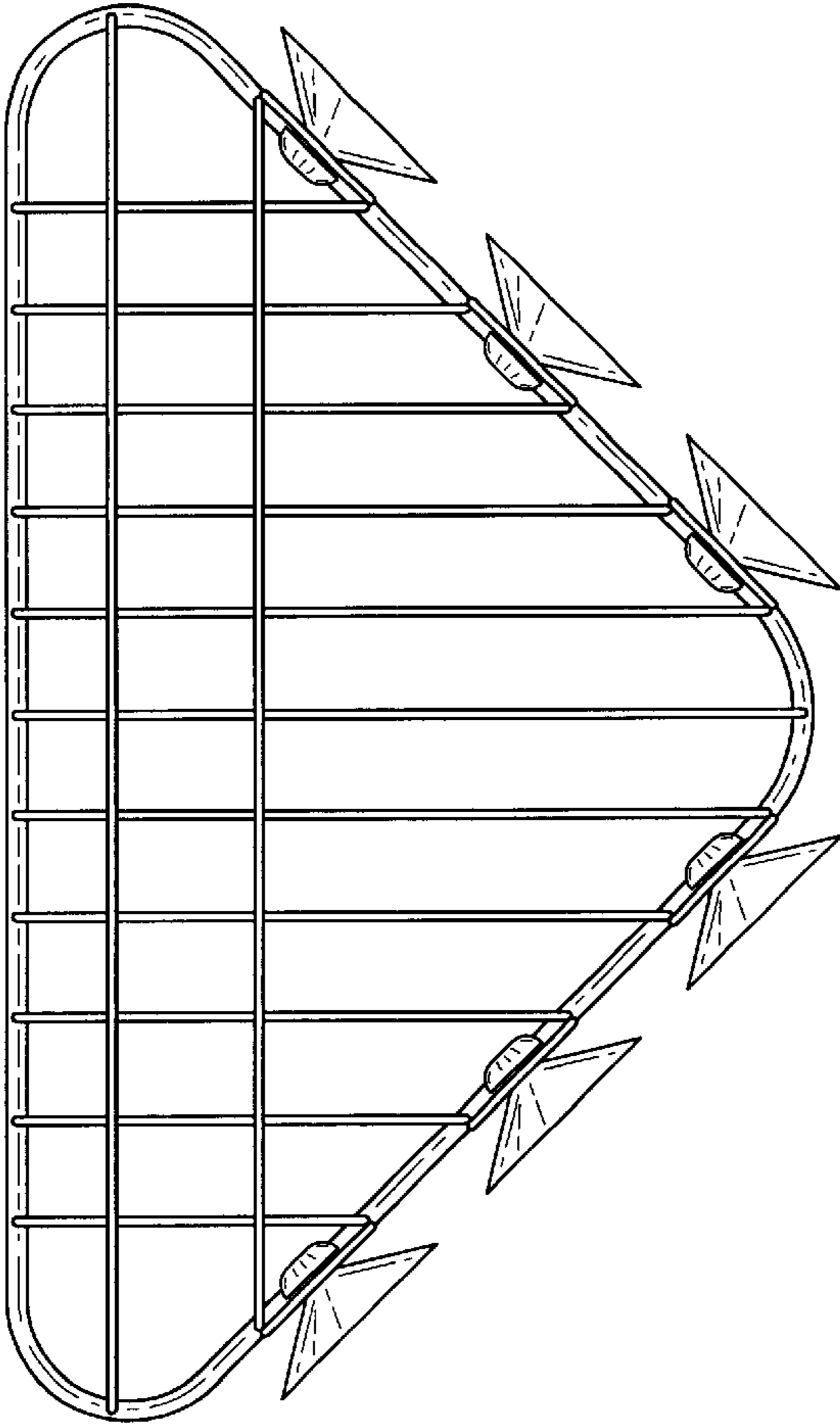


FIG-5

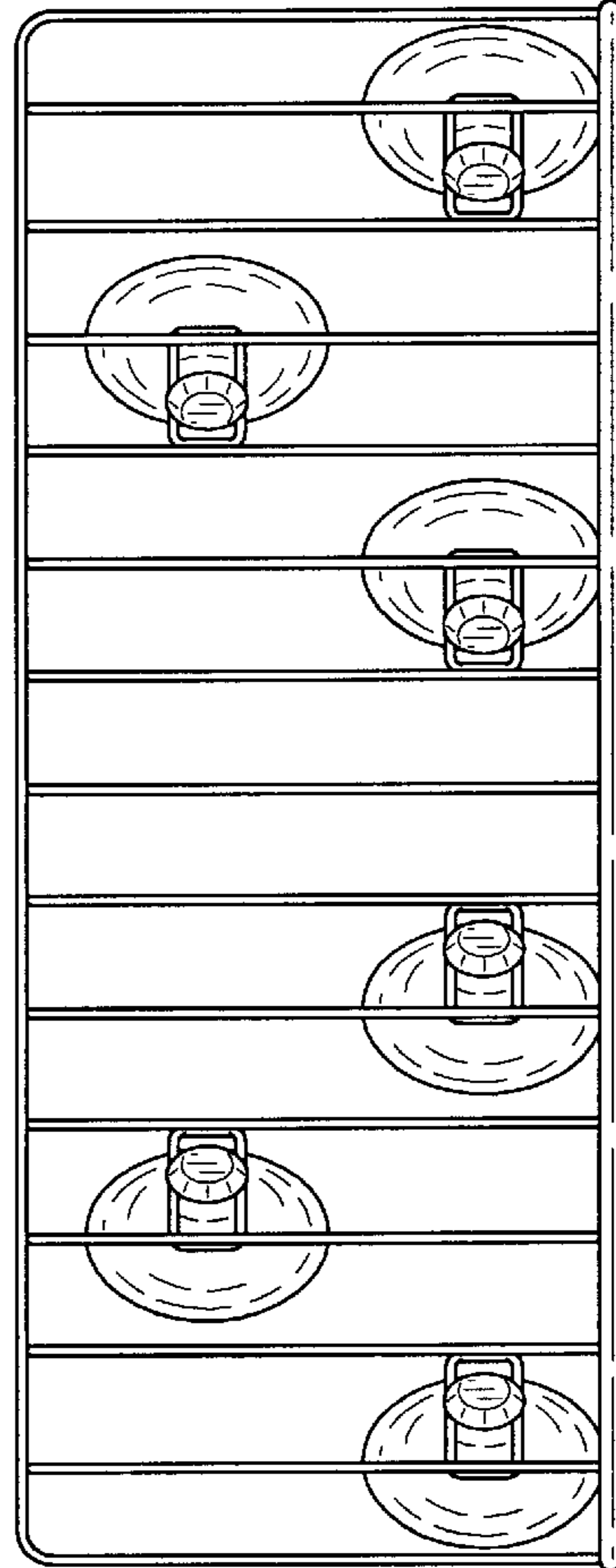


FIG-7