



US00D479418S

(12) **United States Design Patent**
Lenger

(10) **Patent No.:** **US D479,418 S**

(45) **Date of Patent:** **** Sep. 9, 2003**

(54) **CLOVERLEAF COFFEE TABLE**
(75) Inventor: **Sidney A. Lenger**, Kernersville, NC
(US)

D268,715 S 4/1983 Curry D6/486
D331,673 S 12/1992 Faber D6/441
D461,656 S 8/2002 Stanton D6/488
D469,991 S 2/2003 Stanton D6/486

(73) Assignee: **Schottenstein Stores Corporation**,
Columbus, OH (US)

Primary Examiner—Janice E. Seeger
(74) *Attorney, Agent, or Firm*—Wood, Herron & Evans,
L.L.P.

(**) Term: **14 Years**

(21) Appl. No.: **29/174,278**

(57) **CLAIM**

(22) Filed: **Jan. 15, 2003**

The ornamental design for a cloverleaf coffee table, as shown and described.

Related U.S. Application Data

DESCRIPTION

(62) Division of application No. 29/161,873, filed on Jun. 5, 2002.

(51) **LOC (7) Cl.** **06-06**

FIG. 1 is a perspective view of a cloverleaf coffee table, showing my new design; and,

(52) **U.S. Cl.** **D6/511; D6/480**

FIG. 2 is a front elevational view, the left, right and rear being identical thereof.

(58) **Field of Search** D6/480–489, 495,
D6/511, 477, 479, 460, 461, 441, 436,
437; 108/153.1, 155, 156, 157, 161; 248/188,
188.1, 188.8

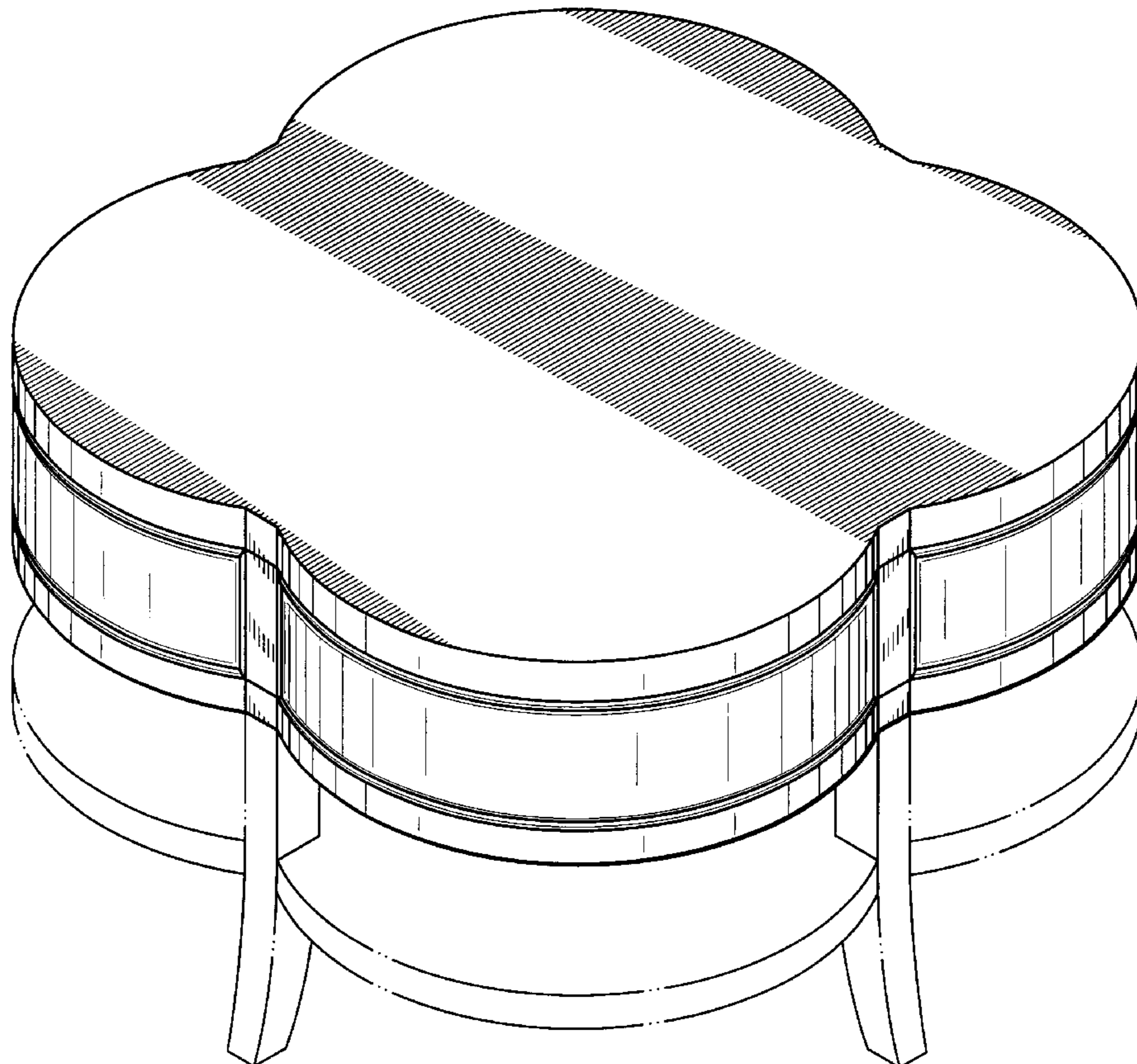
The broken lines shown in the figures are for illustrative purposes only and form no part of the claimed cloverleaf coffee table design.

(56) **References Cited**

U.S. PATENT DOCUMENTS

D254,822 S 4/1980 Crespi D6/460

1 Claim, 2 Drawing Sheets



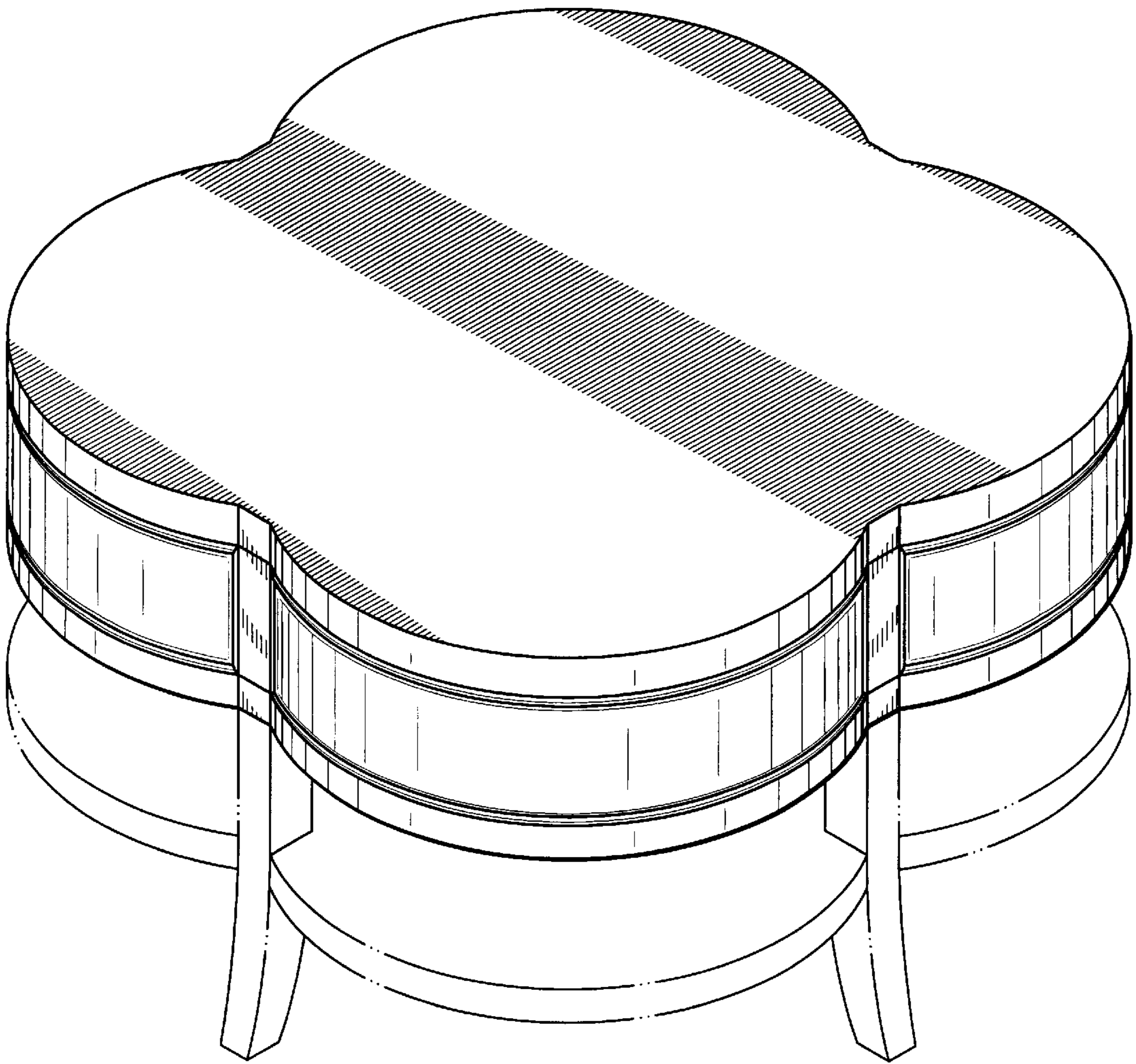


FIG. 1

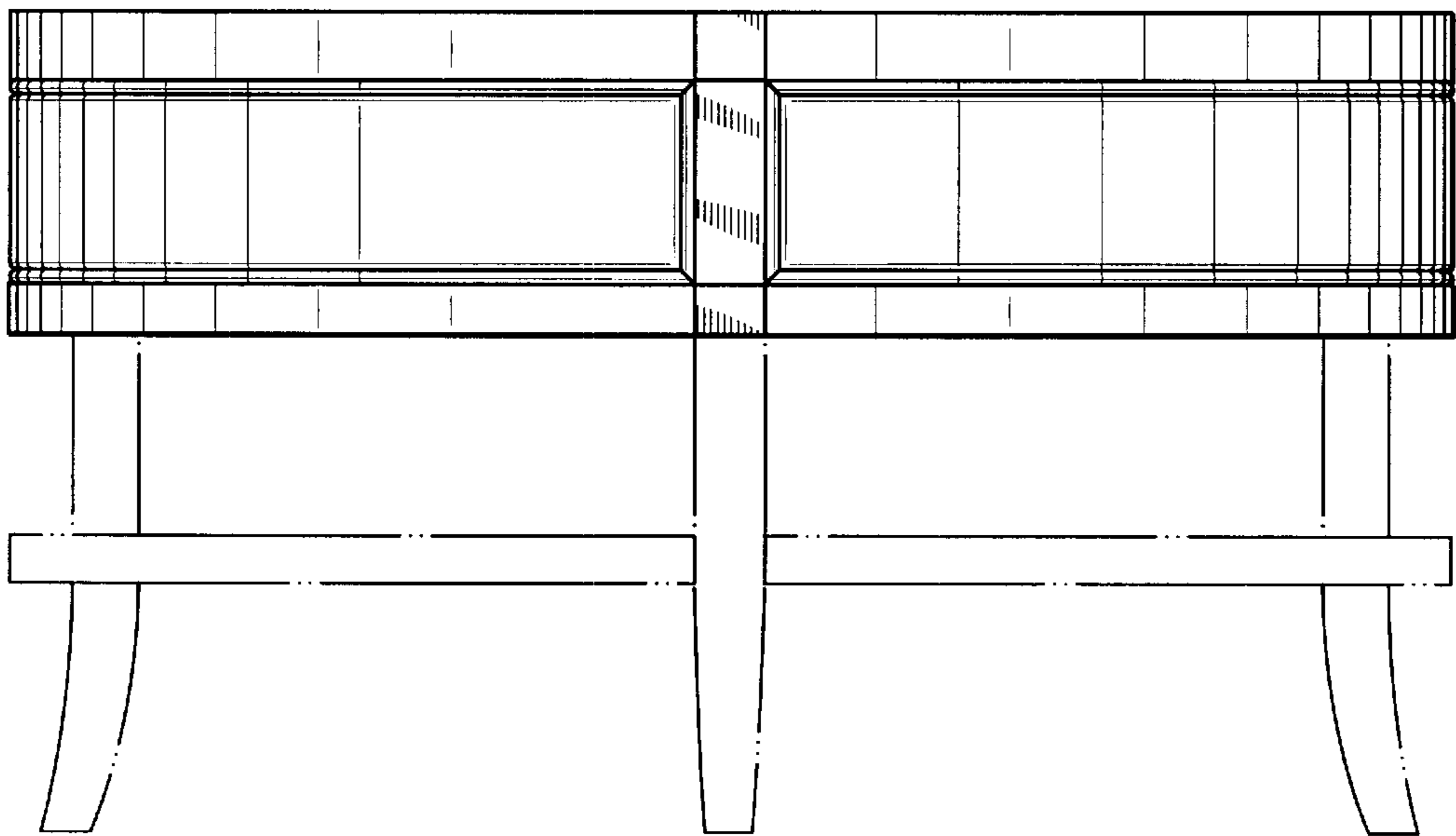


FIG. 2