



US00D479416S

(12) **United States Design Patent**
Raftery

(10) **Patent No.:** **US D479,416 S**

(45) **Date of Patent:** **** Sep. 9, 2003**

(54) **PORTION OF A CHAIR**

(75) Inventor: **William B. Raftery**, Canton, OH (US)

(73) Assignee: **Paoli, Inc.**, Orleans, IN (US)

(**) Term: **14 Years**

(21) Appl. No.: **29/142,349**

(22) Filed: **May 24, 2001**

(51) **LOC (7) Cl.** **06-06**

(52) **U.S. Cl.** **D6/502; D6/366**

(58) **Field of Search** D6/334, 364, 365,
D6/366, 367, 379, 500, 501, 502; 297/411.2,
411.27, 411.36

(56) **References Cited**

U.S. PATENT DOCUMENTS

D273,916 S	*	5/1984	Murry	D6/366
D346,279 S		4/1994	Stumpf et al.		
D386,023 S		11/1997	Stumpf et al.		
D391,424 S		3/1998	Raftery		
D406,475 S	*	3/1999	Shovlowsky	D6/366
D407,911 S	*	4/1999	Bräuning	D6/366
5,988,746 A		11/1999	Raftery		
D418,316 S	*	1/2000	Vogtherr	D6/366
D420,523 S		2/2000	Stumpf et al.		
D422,806 S	*	4/2000	Neil	D6/379 X
D423,259 S	*	4/2000	Grove	D6/500
D431,400 S	*	10/2000	Grove	D6/500
D440,419 S	*	4/2001	Röder	D6/366
D445,581 S	*	7/2001	Su	D6/366
D446,955 S	*	8/2001	Zemp	D6/366
D449,174 S	*	10/2001	Neil	D6/366

D451,293 S	*	12/2001	Su	D6/366
D453,079 S	*	1/2002	Ma	D6/366
D456,626 S	*	5/2002	Su	D6/366
6,386,634 B1		5/2002	Stumpf et al.		

OTHER PUBLICATIONS

JDS International, Special Neo Con 2000 Brochure, Chair as Marked, Jun. 13, 2000.*
U.S. patent application Ser. No. 10/170,534; Filed Jun. 13, 2002, entitled "Chair Back and Chair Formed Therewith" of William B. Raftery and John H. Heyder.

* cited by examiner

Primary Examiner—Gary D. Watson

(74) *Attorney, Agent, or Firm*—Saidman DesignLaw Group

(57) **CLAIM**

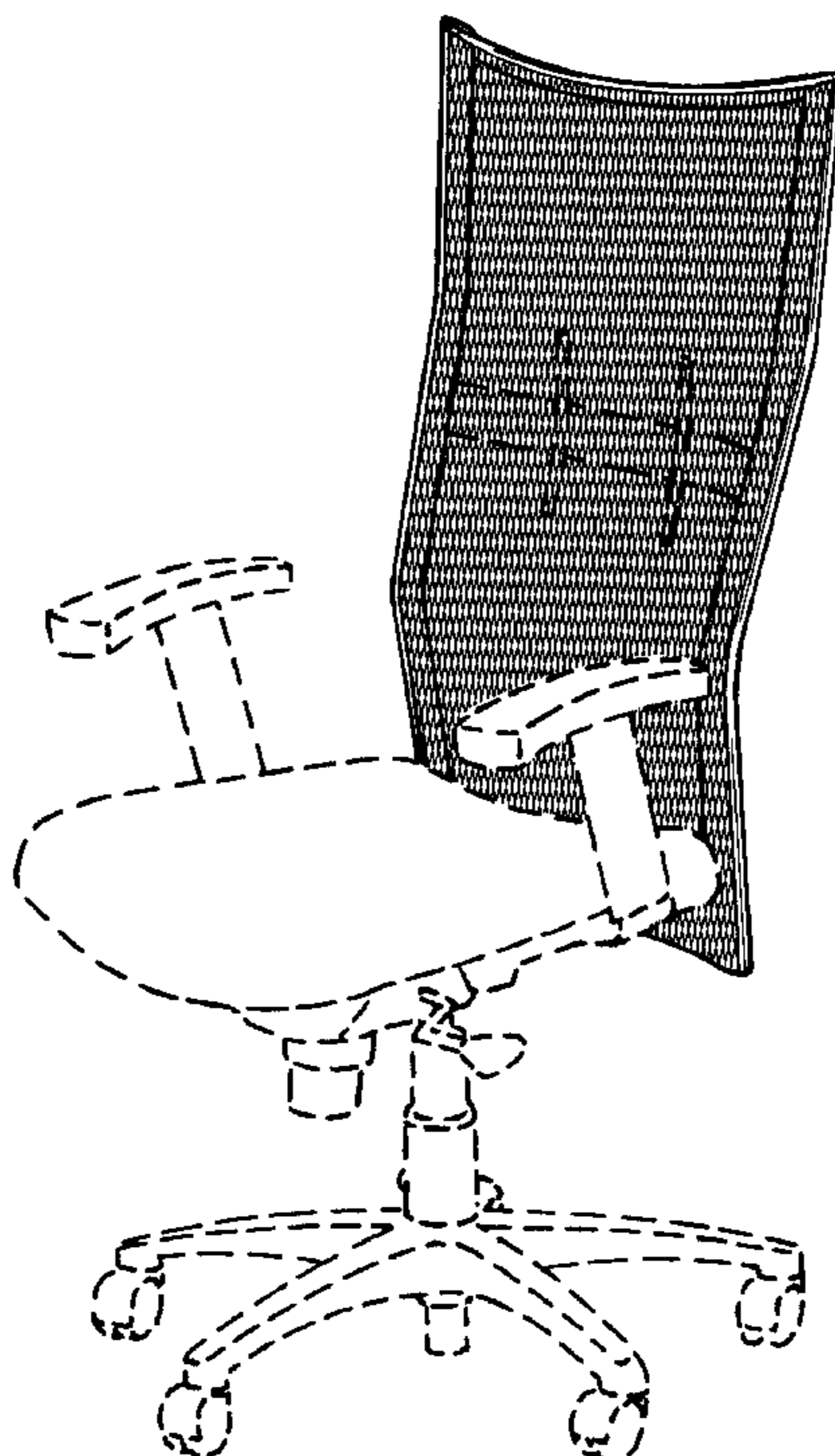
The ornamental design for a portion of a chair, as shown and described.

DESCRIPTION

FIG. 1 is a perspective view of a first embodiment of a portion of a chair showing my new design;
FIG. 2 is a front view thereof;
FIG. 3 is a rear view thereof;
FIG. 4 is a right side view thereof;
FIG. 5 is a left side view thereof;
FIG. 6 is a top view thereof; and,
FIG. 7 is a perspective view of a second embodiment of my design.

The broken lines in the drawings form no part of the claimed design.

1 Claim, 7 Drawing Sheets



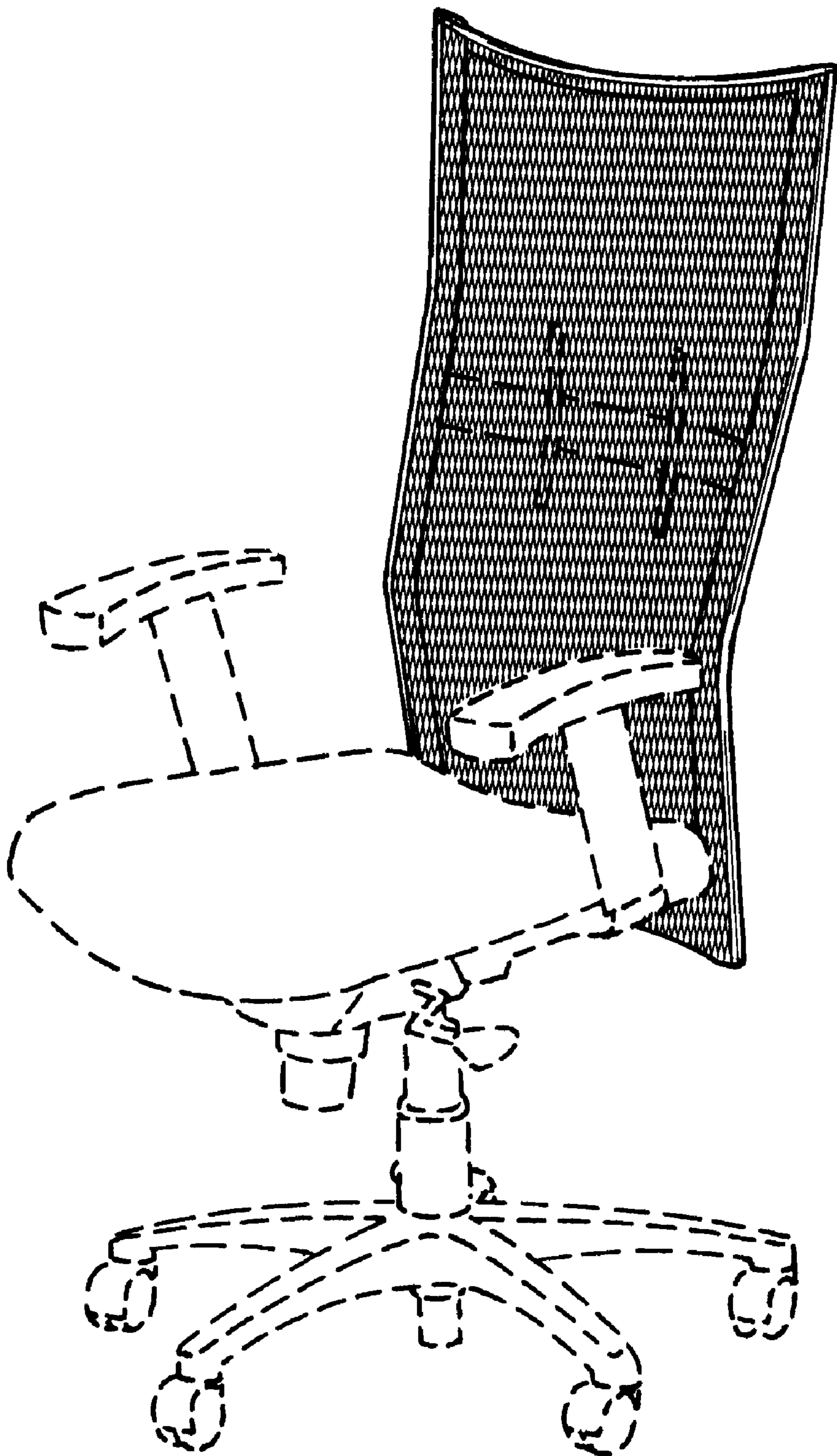


FIG. 1

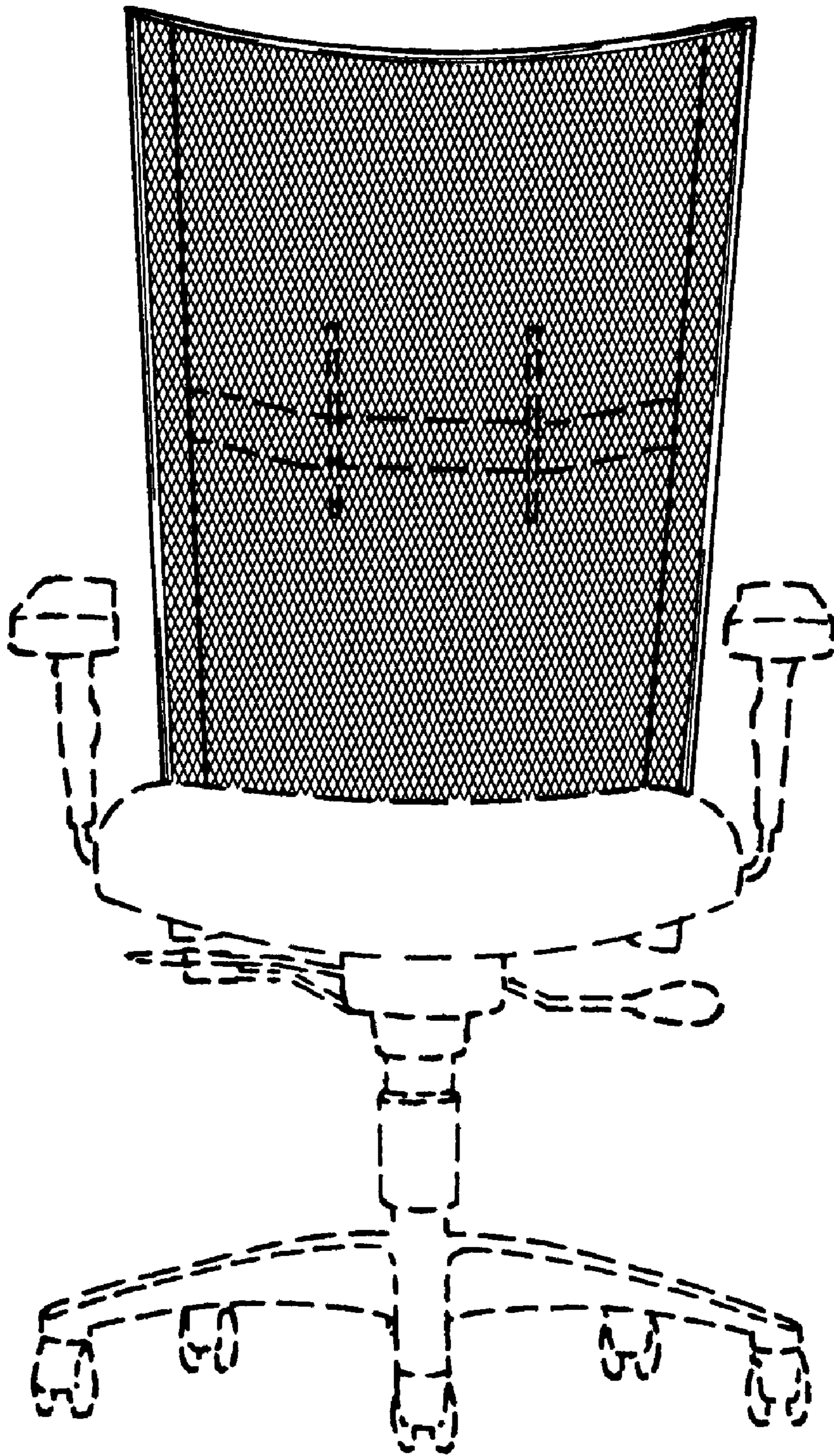


FIG. 2

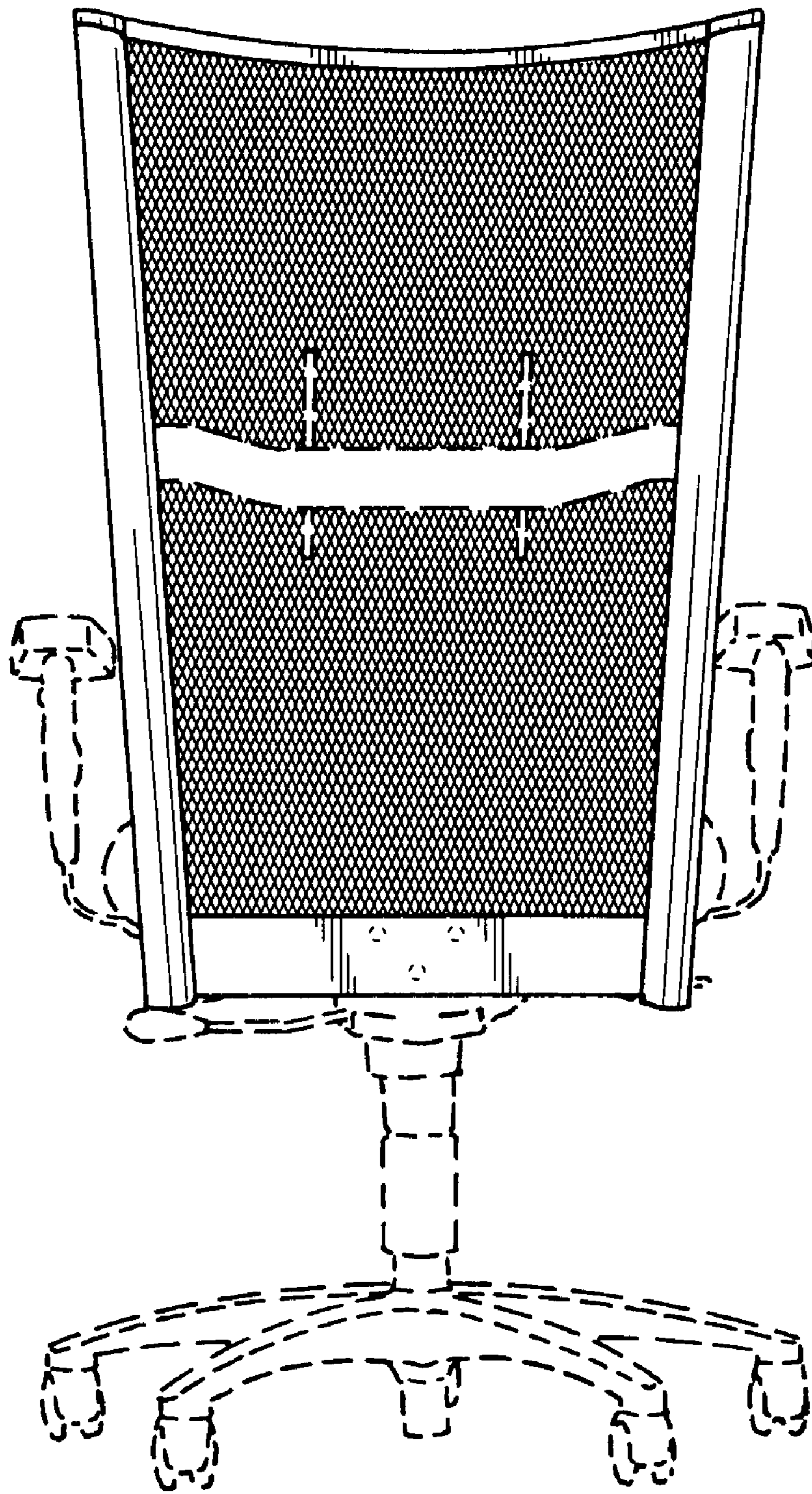


FIG. 3

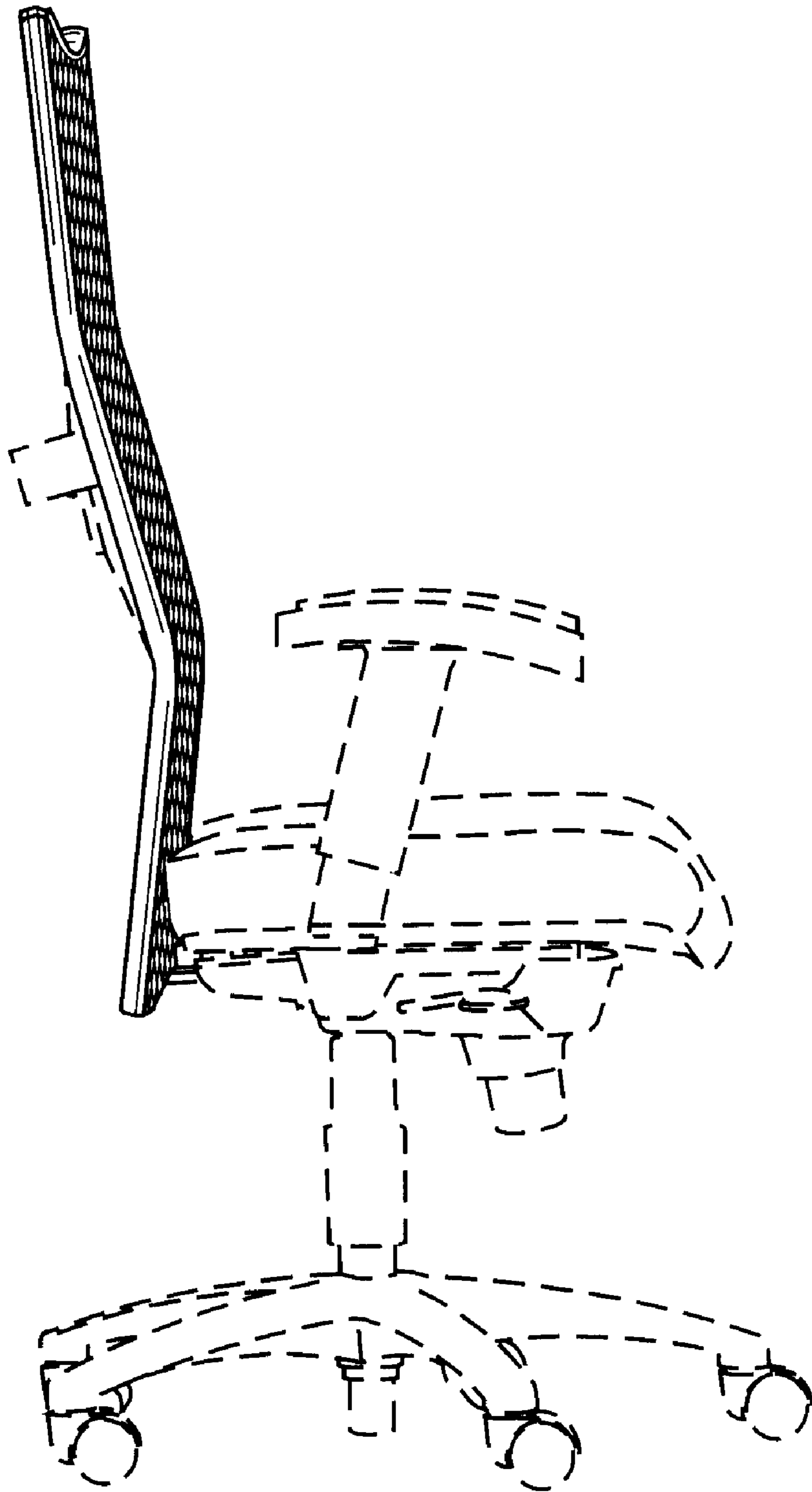


FIG.4

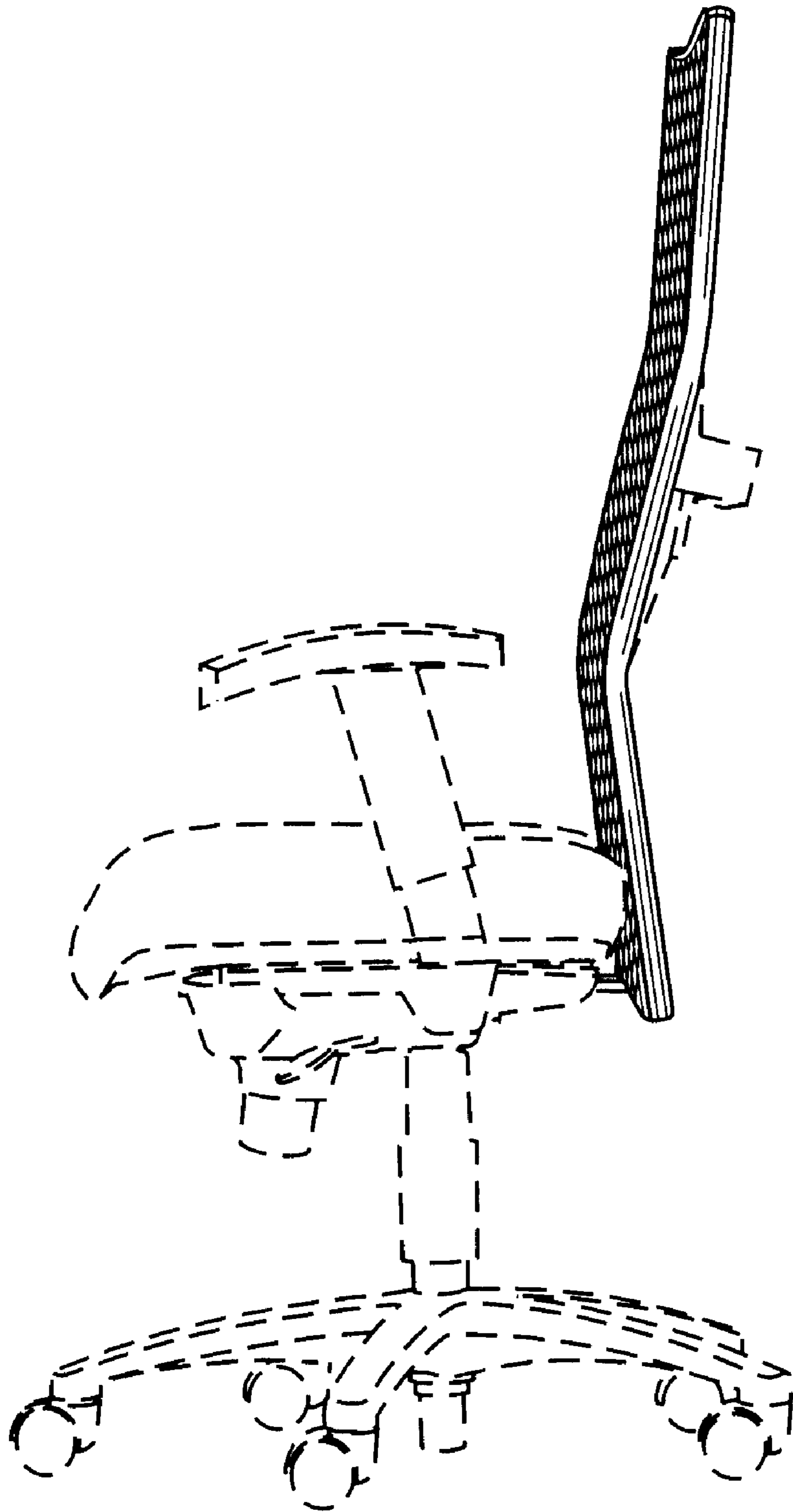


FIG.5

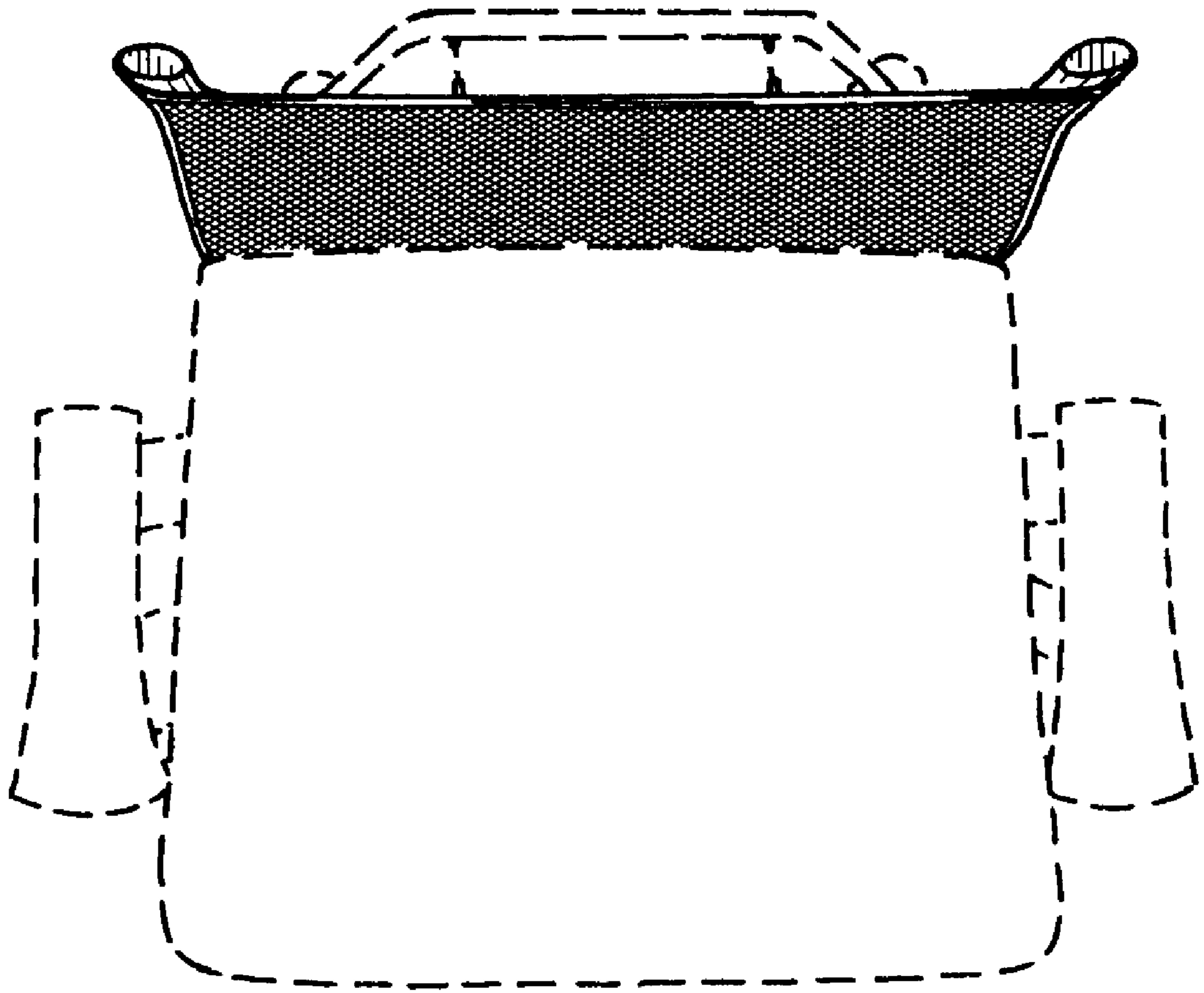


FIG.6

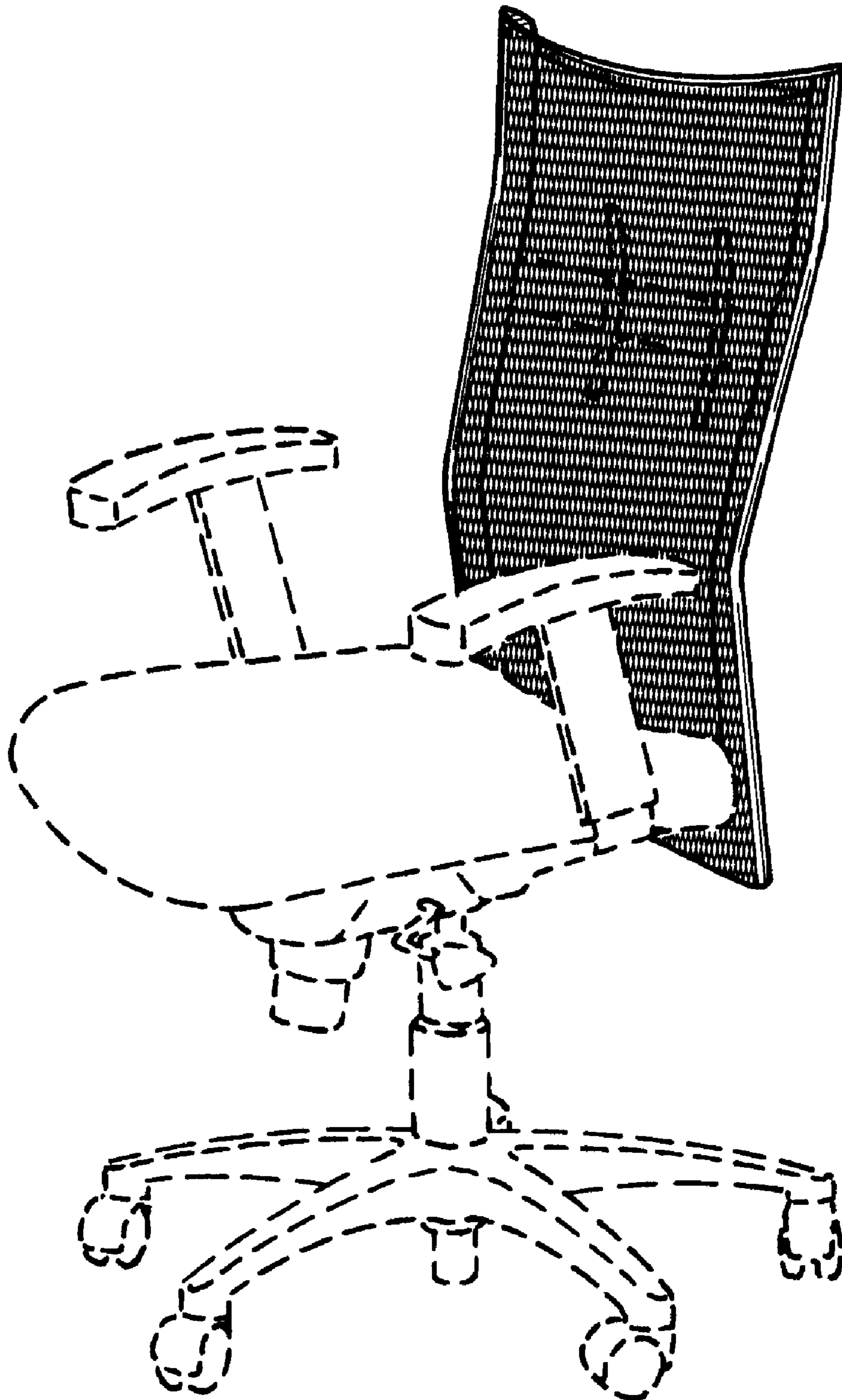


FIG. 7