



US00D479406S

(12) **United States Design Patent**
Pajerski et al.

(10) **Patent No.:** **US D479,406 S**

(45) **Date of Patent:** **** Sep. 9, 2003**

(54) **TABLE AND SUPPORT ELEMENTS OF A FOLDING TABLE WITH SEATS**

(75) Inventors: **Francis L. Pajerski**, Elkhorn, WI (US);
Leonard J. Yindra, Manitowoc, WI (US)

(73) Assignee: **Palmer Snyder Furniture Co.**,
Elkhorn, WI (US)

(**) Term: **14 Years**

(21) Appl. No.: **29/149,672**

(22) Filed: **Oct. 15, 2001**

(51) **LOC (7) Cl.** **06-01**

(52) **U.S. Cl.** **D6/337**

(58) **Field of Search** D6/333, 334, 335,
D6/336, 337, 500, 501, 502; 297/157.1,
158.2, 158.3, 158.4, 159.1

(56) **References Cited**

U.S. PATENT DOCUMENTS

1,015,230 A	1/1912	Jacob
1,339,232 A	5/1920	St. John et al.
1,370,952 A	3/1921	Danielson
1,514,418 A	11/1924	Battenfeld
1,622,327 A	3/1927	Livingood
1,823,484 A	9/1931	Blumenthal
1,860,291 A	5/1932	Majcher
1,898,307 A	2/1933	Miller
1,903,954 A	4/1933	Blumenthal
1,910,704 A	5/1933	MacDonald

(List continued on next page.)

OTHER PUBLICATIONS

SICO Incorporated brochure Date: 1993.

Mesa Industries brochure Date: 1994.

SICO Incorporated brochure Date: 1998.

Virco Mfg. Corporation brochure Date: 1997.

BIOFIT Engineered Products brochure Date: Copyright notice indicates year 2000.

BIOFIT Engineered Products brochure Date: Copyright notice indicates year 2000.

Primary Examiner—Doris V. Coles

Assistant Examiner—Mimosa De

(74) *Attorney, Agent, or Firm*—Jansson, Shupe & Munger, Ltd.

(57) **CLAIM**

The ornamental design for table and support elements of a folding table with seats, as shown and described.

DESCRIPTION

FIG. 1 is a perspective view of table and support elements of a folding table with seats.

FIG. 2 is a top plan view of table and support elements of the folding table with seats.

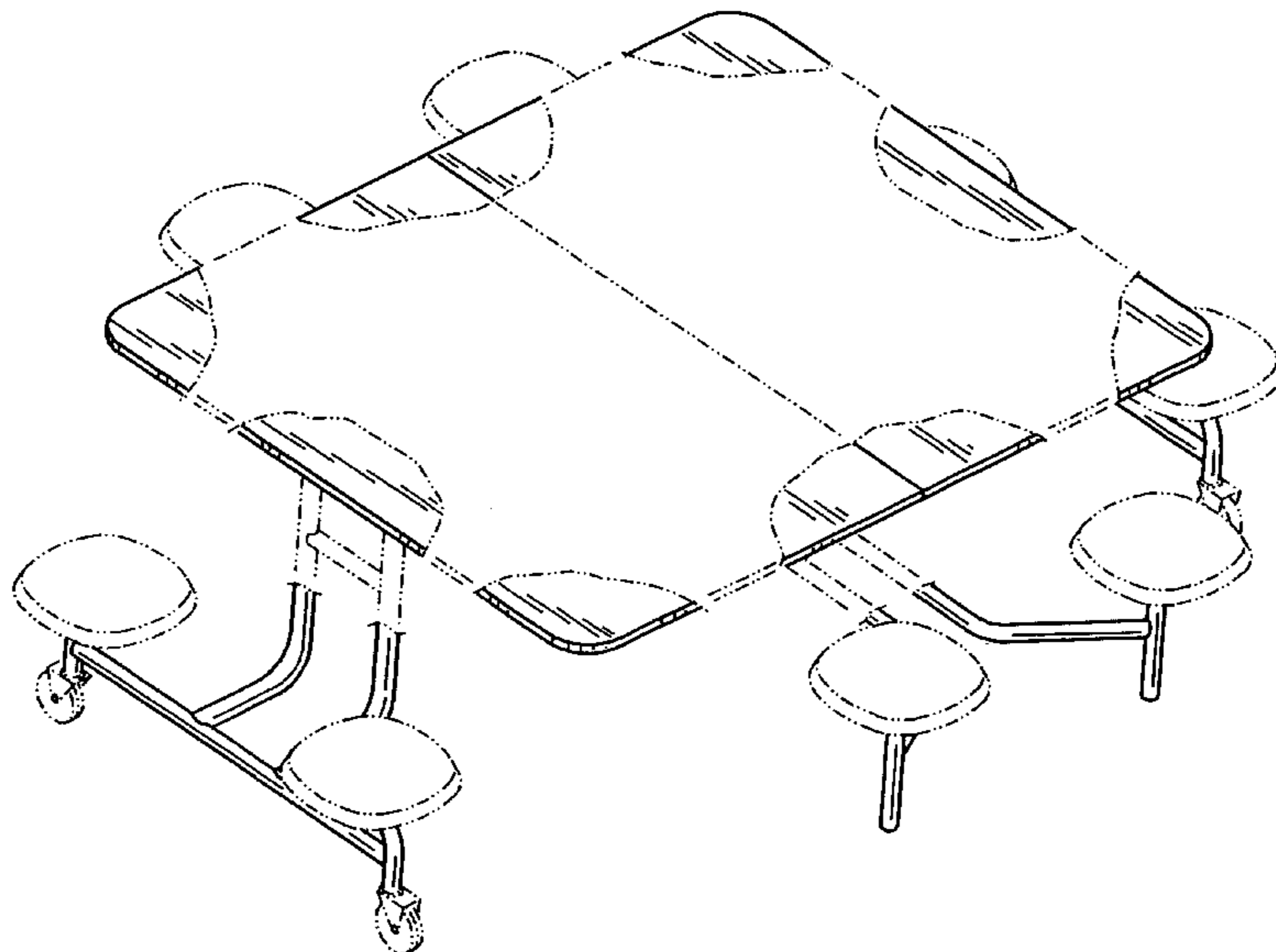
FIG. 3 is a right side elevational view of table and support elements of the folding table with seats. A left side elevational view of the table and support elements of the folding table with seats is not shown as it is a mirror image of the right side elevational view.

FIG. 4 is a front elevational view of table and support elements of the folding table with seats. A rear side elevational view of the table and support elements of the folding table with seats is not shown as it is a mirror image of the front side elevational view; and,

FIG. 5 is a bottom plan view of table and support elements of the folding table with seats.

The broken lines are directed to the environmental structure defining the boundary of the claimed portions of the table and support elements and form no part of the claimed design.

1 Claim, 4 Drawing Sheets



US D479,406 S

Page 2

U.S. PATENT DOCUMENTS					
1,964,789 A	7/1934	MacDonald	3,650,560 A	3/1972	Wohlk
2,030,195 A	2/1936	Breese	3,715,143 A	2/1973	Gerken et al.
2,080,982 A	5/1937	MacDonald	3,885,829 A	5/1975	Haeger
2,249,845 A	7/1941	Mitchell	3,994,527 A	11/1976	Nikitis et al.
2,702,585 A	2/1955	Wilson	4,040,658 A	8/1977	Mayol
2,717,631 A	9/1955	Howe	4,052,100 A	10/1977	Nikitis et al.
2,721,778 A	10/1955	Wilson	4,070,057 A	1/1978	Jones
2,730,417 A	1/1956	Mitchell	4,101,164 A	7/1978	Urdanoz
2,739,860 A	3/1956	Wilson	D250,151 S	11/1978	Pingel
2,771,937 A	11/1956	Wilson	4,131,311 A	12/1978	Nikitis et al.
2,780,506 A	2/1957	Howe	4,133,271 A	1/1979	Carlson
2,805,707 A	9/1957	Schoeppner	4,223,945 A	9/1980	Nikitis
RE24,454 E	4/1958	Wilson	4,249,773 A	2/1981	Giambalvo
2,934,386 A	4/1960	Shore	D268,971 S	5/1983	Reineman D6/337
2,969,245 A	1/1961	Wilson	D273,731 S	5/1984	Pineiro
3,028,197 A	4/1962	Wilson	D280,367 S	9/1985	Reamer, Jr. et al.
3,055,705 A	9/1962	Wilson	4,596,196 A	6/1986	Gunter et al.
D194,038 S	11/1962	Preston	4,653,804 A	3/1987	Yoo et al.
3,075,809 A	1/1963	Wilson	4,662,675 A	5/1987	Volpi
3,096,866 A	7/1963	Glass	4,700,987 A	10/1987	Sraka et al.
3,099,480 A	7/1963	Wilson	4,826,244 A	5/1989	Choi
3,099,481 A	7/1963	Bue	4,883,314 A	11/1989	Sakong
3,101,064 A	8/1963	Kanzelberger et al.	4,932,333 A	6/1990	Jensen et al.
3,109,678 A	11/1963	Wilson 297/158.4	4,960,303 A	10/1990	York
3,116,088 A	12/1963	Thaxton	5,029,938 A	7/1991	Song
3,120,405 A	2/1964	Soszynski	D327,178 S	6/1992	Ryan
3,212,463 A	10/1965	Anderson et al.	D327,779 S	7/1992	Jensen et al.
3,212,815 A	10/1965	Wardlaw et al.	D330,127 S	10/1992	Song
3,245,363 A	4/1966	Amthor, Jr. et al.	D354,867 S	1/1995	Lee
3,266,840 A	8/1966	D'Estrube	D369,913 S	5/1996	Noll
3,337,262 A	8/1967	Katzfey et al.	5,683,135 A	11/1997	Williams
3,348,879 A	10/1967	Merola	5,794,540 A	8/1998	Dombrowski et al.
D211,886 S	8/1968	Benjamin D6/337	5,921,622 A	7/1999	Newton
3,411,823 A	11/1968	Bue	D413,734 S	9/1999	Bue D6/337
3,477,760 A	11/1969	Bue	6,065,802 A	5/2000	Bue
3,511,532 A	5/1970	Tringali et al.	6,186,591 B1	2/2001	Pajerski 297/159.1
3,536,356 A	10/1970	Wilson	D439,060 S	3/2001	Larsen D6/337
3,580,632 A	5/1971	Seymour	6,254,178 B1	7/2001	Bue
			D456,155 S	4/2002	DeVriendt D6/337

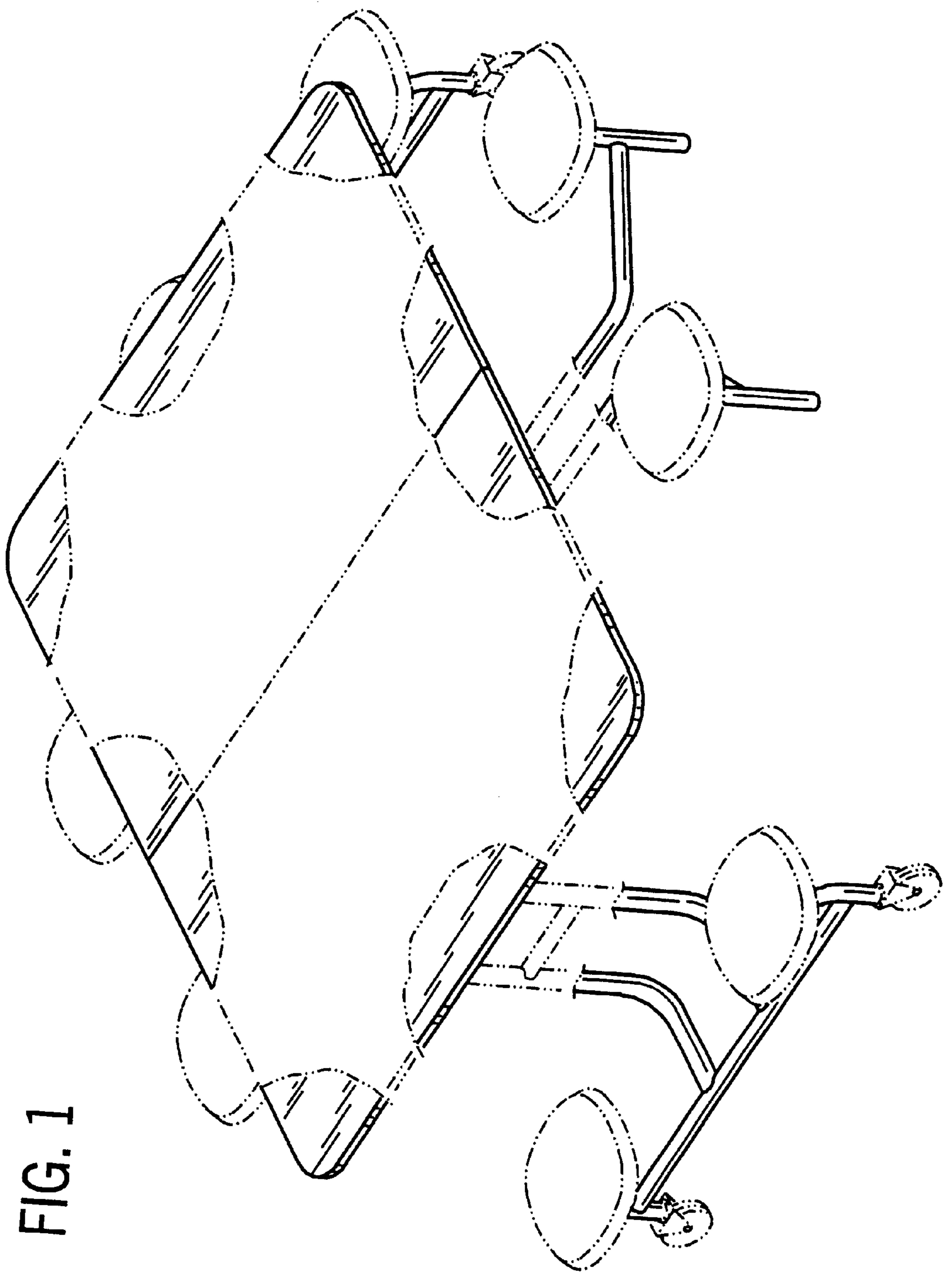


FIG. 1

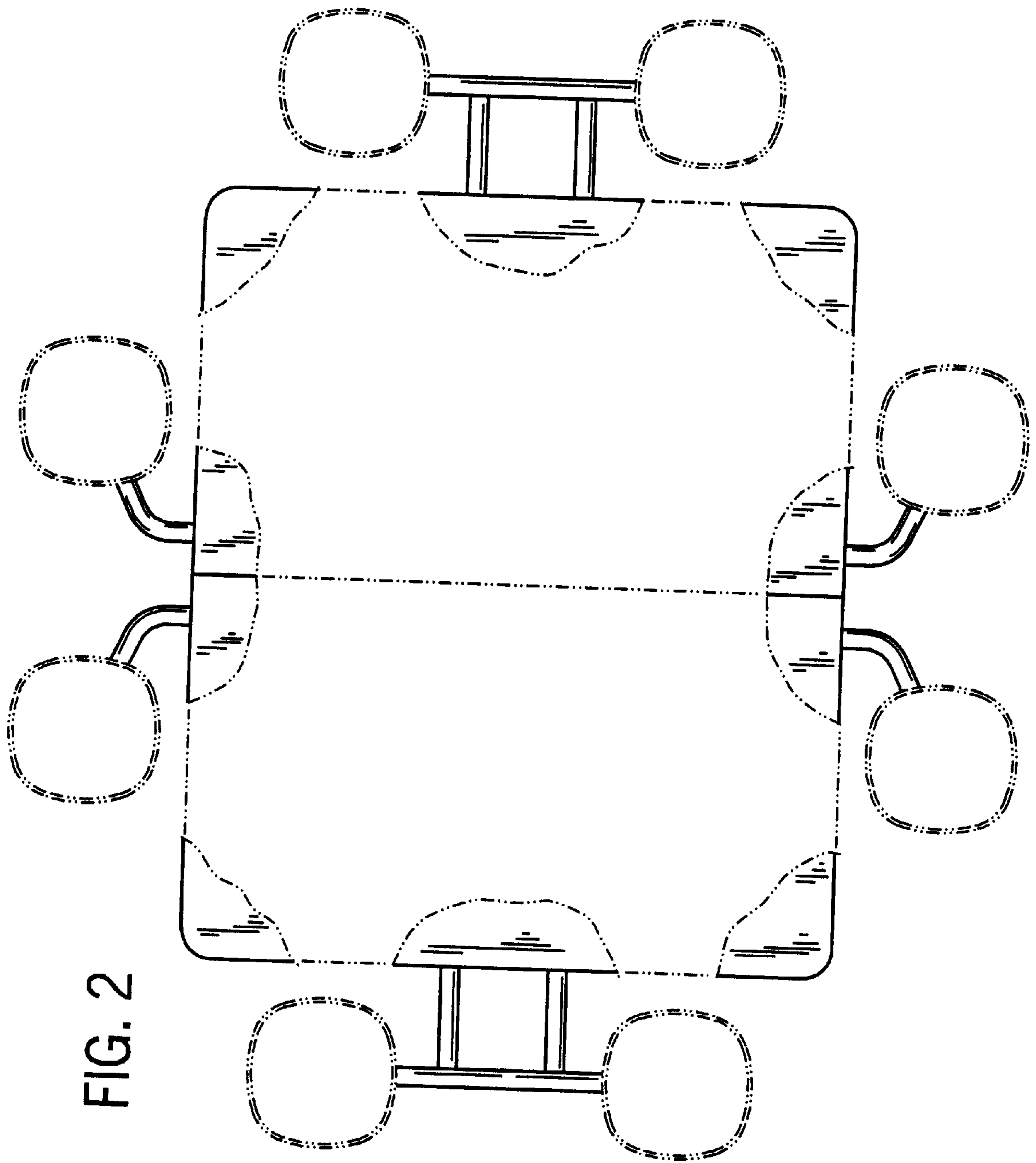


FIG. 2

FIG. 3

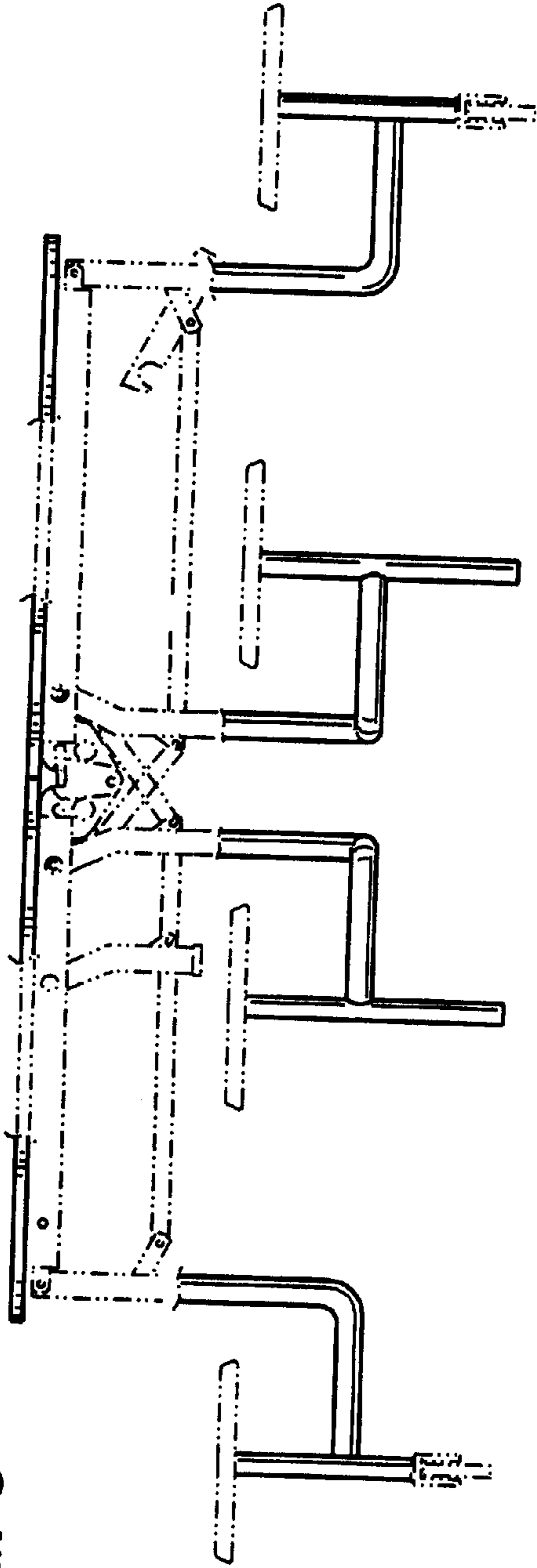
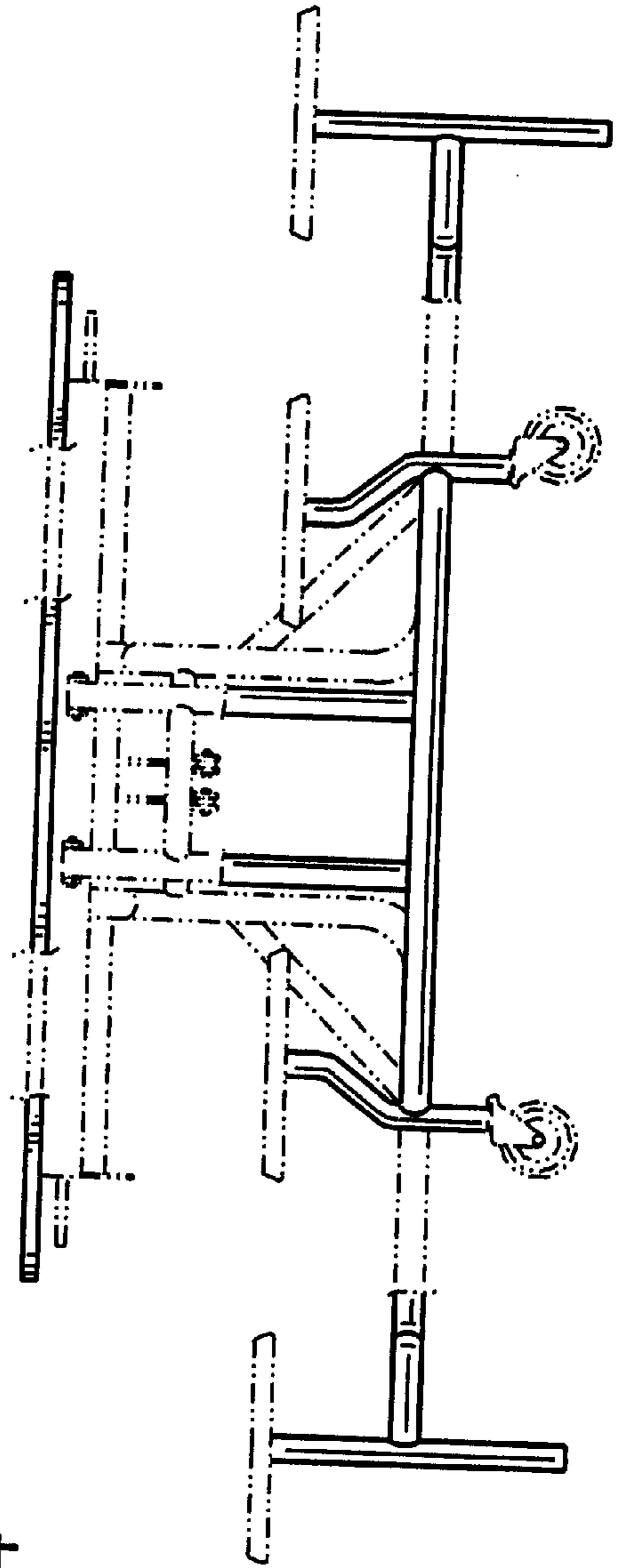


FIG. 4



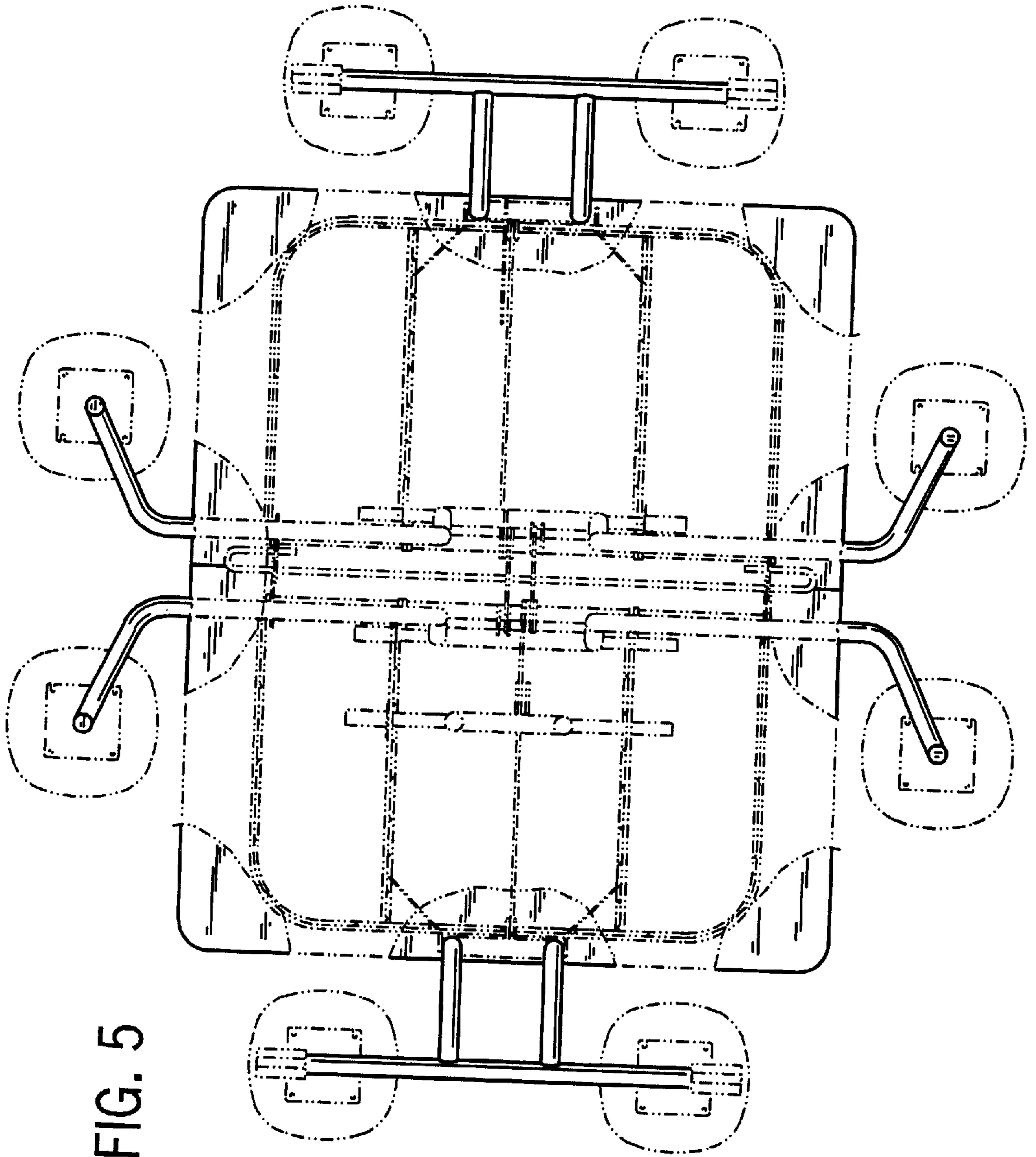


FIG. 5