



US00D479402S

(12) **United States Design Patent**
Gatzemeyer et al.

(10) **Patent No.:** **US D479,402 S**

(45) **Date of Patent:** **** Sep. 9, 2003**

(54) **POWER TOOTHBRUSH BRISTLE PATTERN**

D458,455 S * 6/2002 Blaustein et al. D4/104
D462,173 S * 9/2002 Eliav et al. D4/101

(75) Inventors: **John J. Gatzemeyer**, Hillsborough, NJ (US); **Joseph Edward Fattori**, Mendham, NJ (US); **Fung Kut Hui**, Cityone Shatin (HK)

* cited by examiner

Primary Examiner—Holly Baynham
(74) *Attorney, Agent, or Firm*—Henry S. Goldfine

(73) Assignee: **Colgate-Palmolive Company**, New York, NY (US)

(57) **CLAIM**

(**) Term: **14 Years**

The ornamental design for a power toothbrush bristle pattern, as shown and described.

(21) Appl. No.: **29/167,353**

DESCRIPTION

(22) Filed: **Sep. 12, 2002**

Related U.S. Application Data

FIG. 1 is a front elevation view of the power toothbrush bristle pattern of my new design;
FIG. 2 is a cross-sectional view thereof, as seen along Section A—A of FIG. 1;
FIG. 3 is a cross-sectional view thereof, as seen along Section B—B of FIG. 1;
FIG. 4 is a left side elevation view thereof, the right side being a mirror image;
FIG. 5 is a top view thereof; and,
FIG. 6 is a front perspective view thereof, as seen from the bottom left side.

(63) Continuation-in-part of application No. 10/107,093, filed on Mar. 26, 2002.

(51) **LOC (7) Cl.** **04-02**

(52) **U.S. Cl.** **D4/101**

(58) **Field of Search** D4/101, 104-112;
15/22.1, 167.1

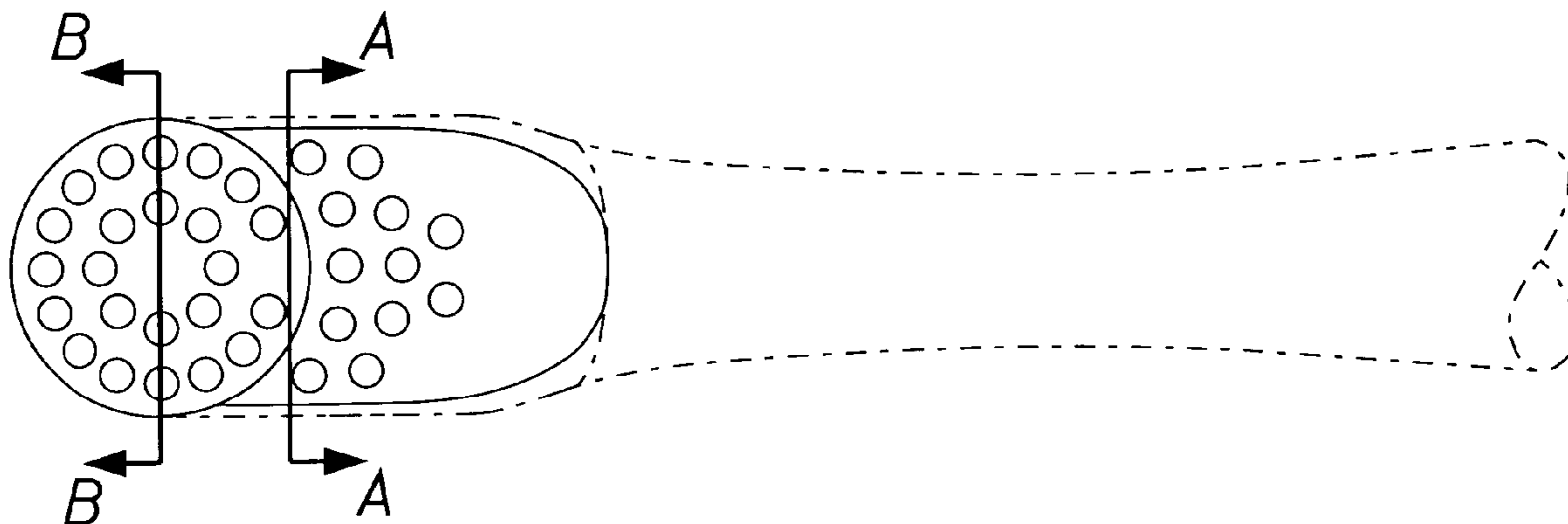
The power toothbrush neck and head are shown in broken lines for illustrative purposes only and form no part of the claimed design.

(56) **References Cited**

U.S. PATENT DOCUMENTS

6,178,582 B1 * 1/2001 Halm 15/167.1
6,237,178 B1 * 5/2001 Krammer et al. 15/22.1

1 Claim, 3 Drawing Sheets



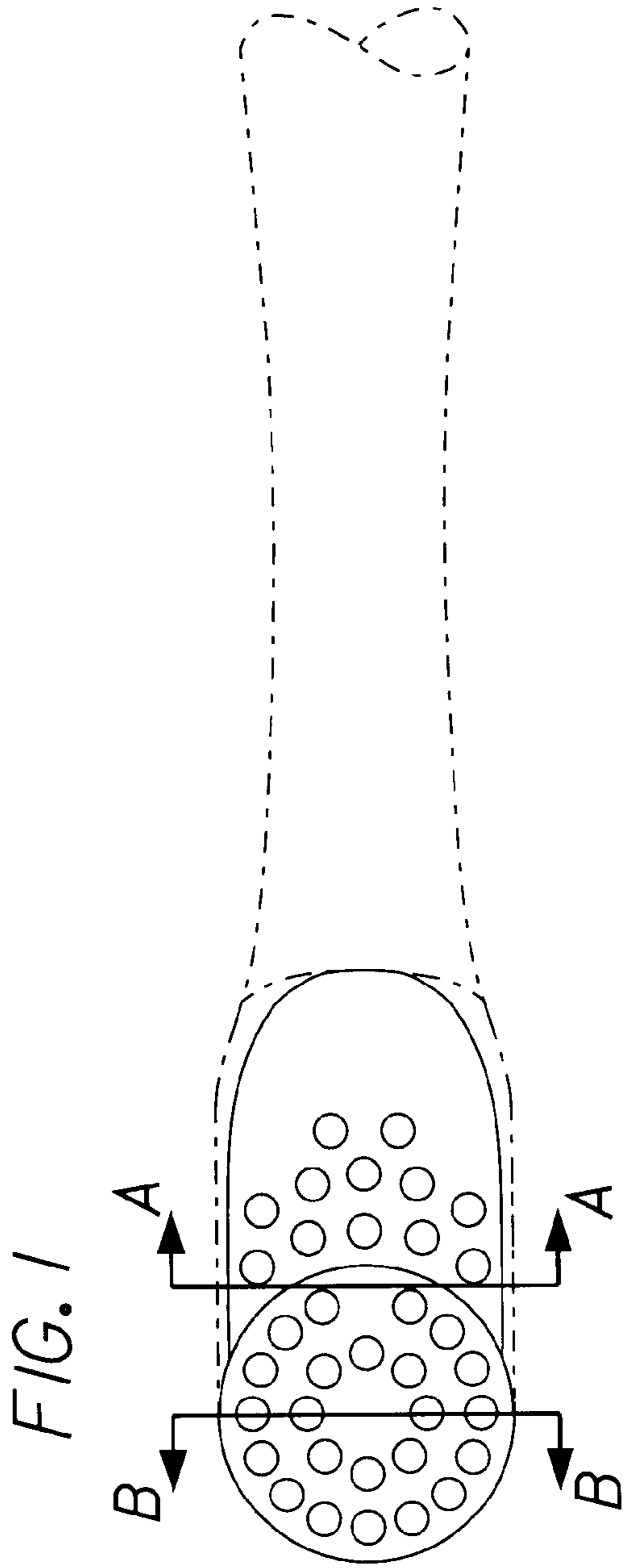


FIG. 3

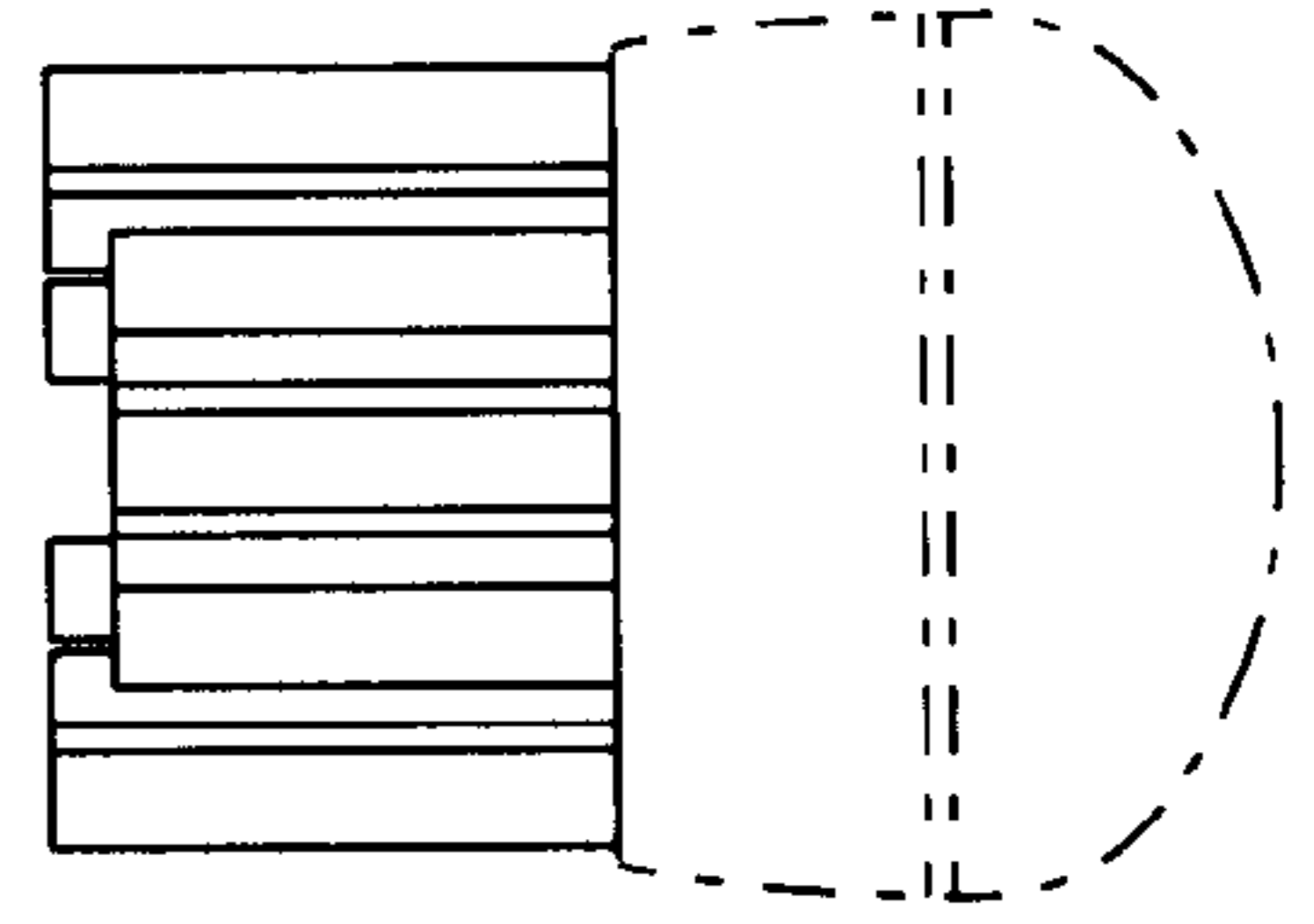


FIG. 2

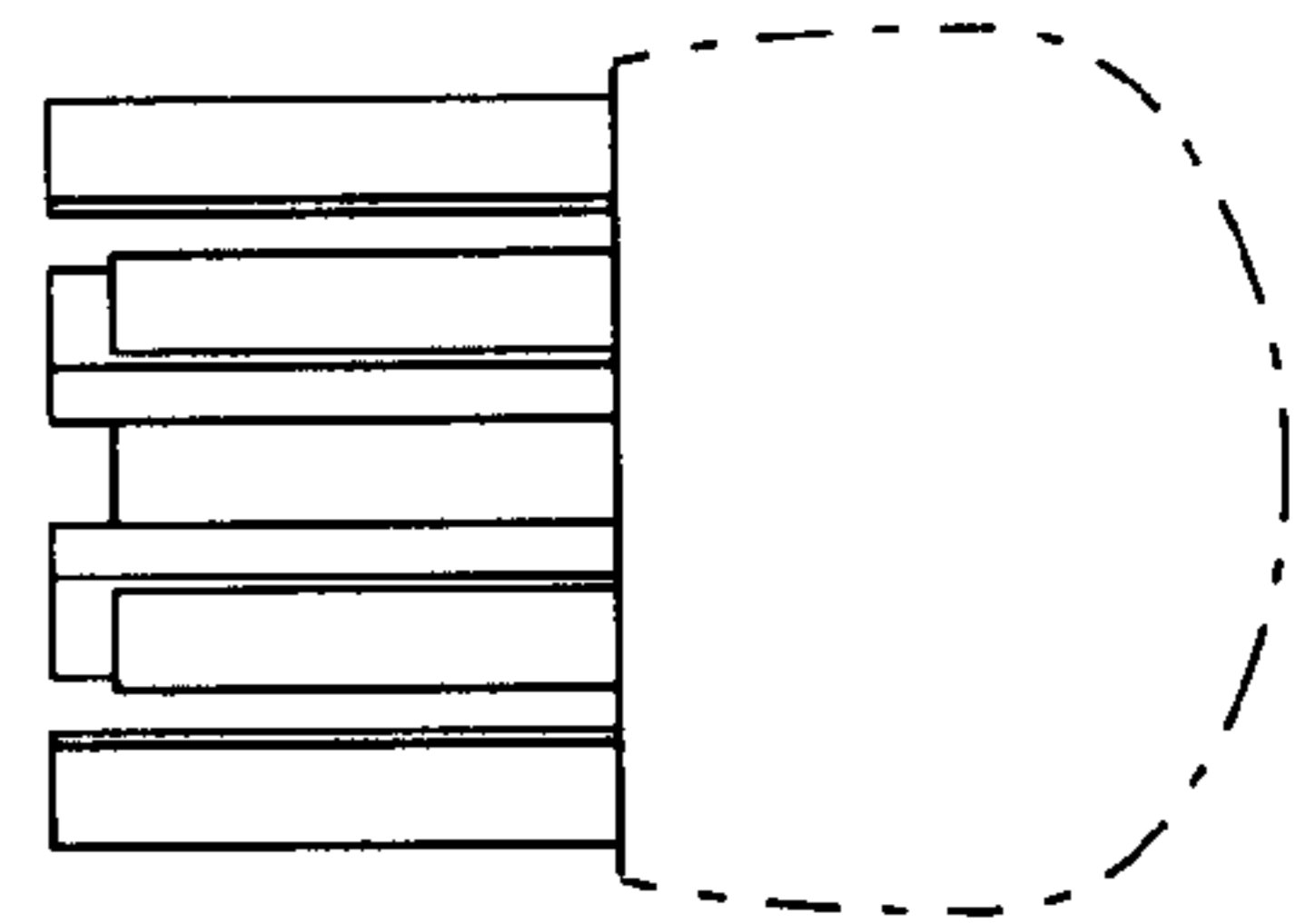


FIG. 4

