



US00D479376S

(12) **United States Design Patent**
Hsu

(10) **Patent No.:** **US D479,376 S**

(45) **Date of Patent:** **** Sep. 2, 2003**

(54) **ICE AND SNOW REMOVER**

(76) Inventor: **Bill Hsu**, 5F, No. 607-1, Shinshu Rd.,
Shinjuang City, Taipei (TW)

(**) Term: **14 Years**

(21) Appl. No.: **29/175,368**

(22) Filed: **Feb. 5, 2003**

(51) **LOC (7) Cl.** **07-05**

(52) **U.S. Cl.** **D32/49**

(58) **Field of Search** D32/40, 41, 46,
D32/49; 15/105, 143.1, 236.01, 236.02,
236.05, 236.08; 30/140, 169; 16/430, 431

(56) **References Cited**

U.S. PATENT DOCUMENTS

2,511,161	A	*	6/1950	Hammond	30/140
2,700,096	A	*	1/1955	Clements	30/140
4,040,140	A	*	8/1977	Hopkins et al.	15/236.02
4,124,915	A	*	11/1978	Schlicher	15/105
D394,923	S	*	6/1998	Hellinger et al.	D32/49
D456,576	S	*	4/2002	Philipson	D32/49

OTHER PUBLICATIONS

BOSTON PROPER® Autumn 1988, Electric Windshield
Scraper—Item D, p. 26.*

* cited by examiner

Primary Examiner—Alan P. Douglas

Assistant Examiner—Lavone D. Tabor

(74) *Attorney, Agent, or Firm*—Rosenberg, Klein & Lee

(57) **CLAIM**

The ornamental design for an ice and snow remover, as
shown and described.

DESCRIPTION

FIG. 1 is a perspective view of an ice and snow remover
showing my new design;

FIG. 2 is a front elevational view thereof;

FIG. 3 is a rear elevational view thereof;

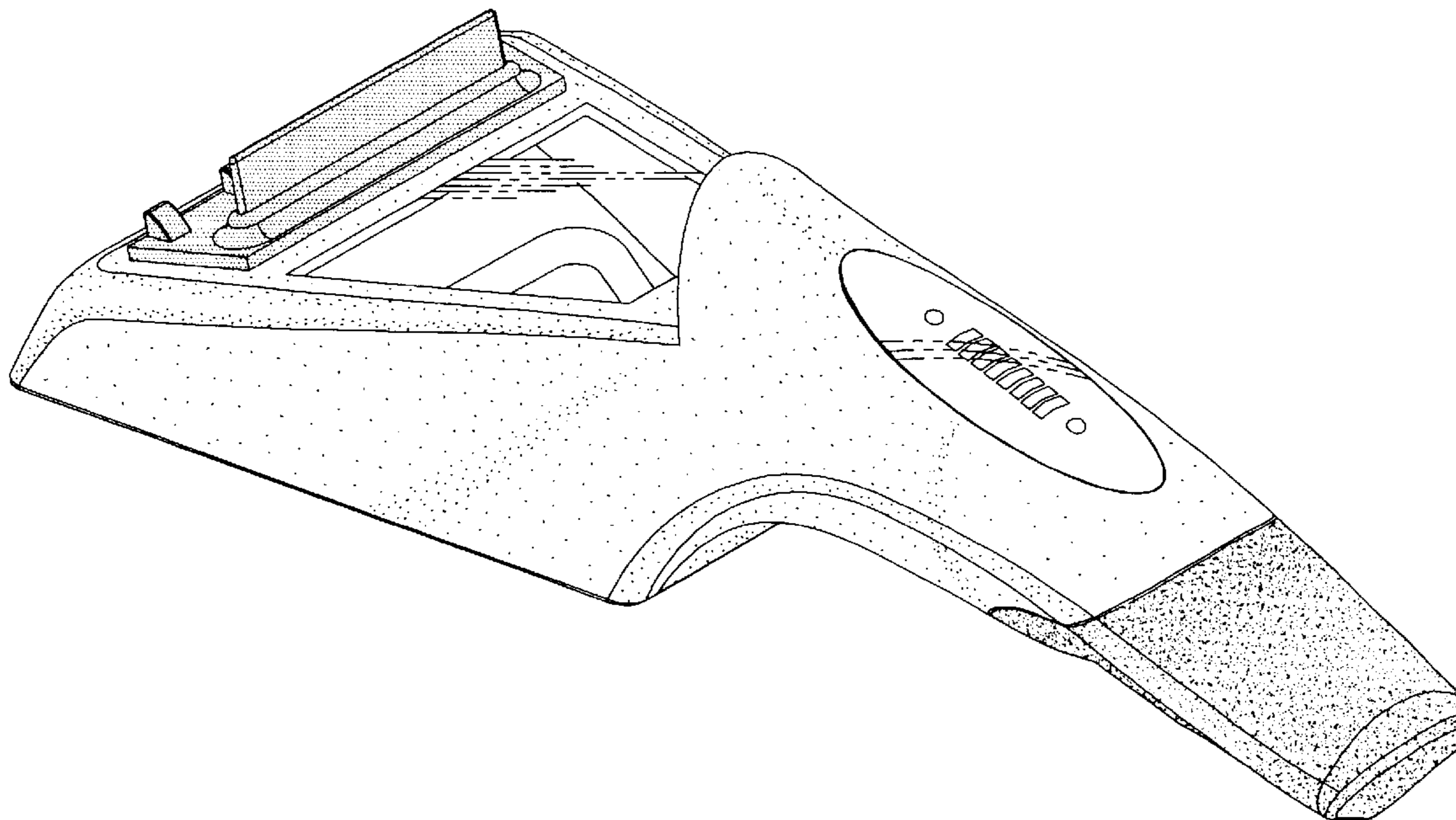
FIG. 4 is a left side elevational view thereof;

FIG. 5 is a right side elevational view thereof;

FIG. 6 is a top plan view thereof; and,

FIG. 7 is a bottom plan view thereof.

1 Claim, 4 Drawing Sheets



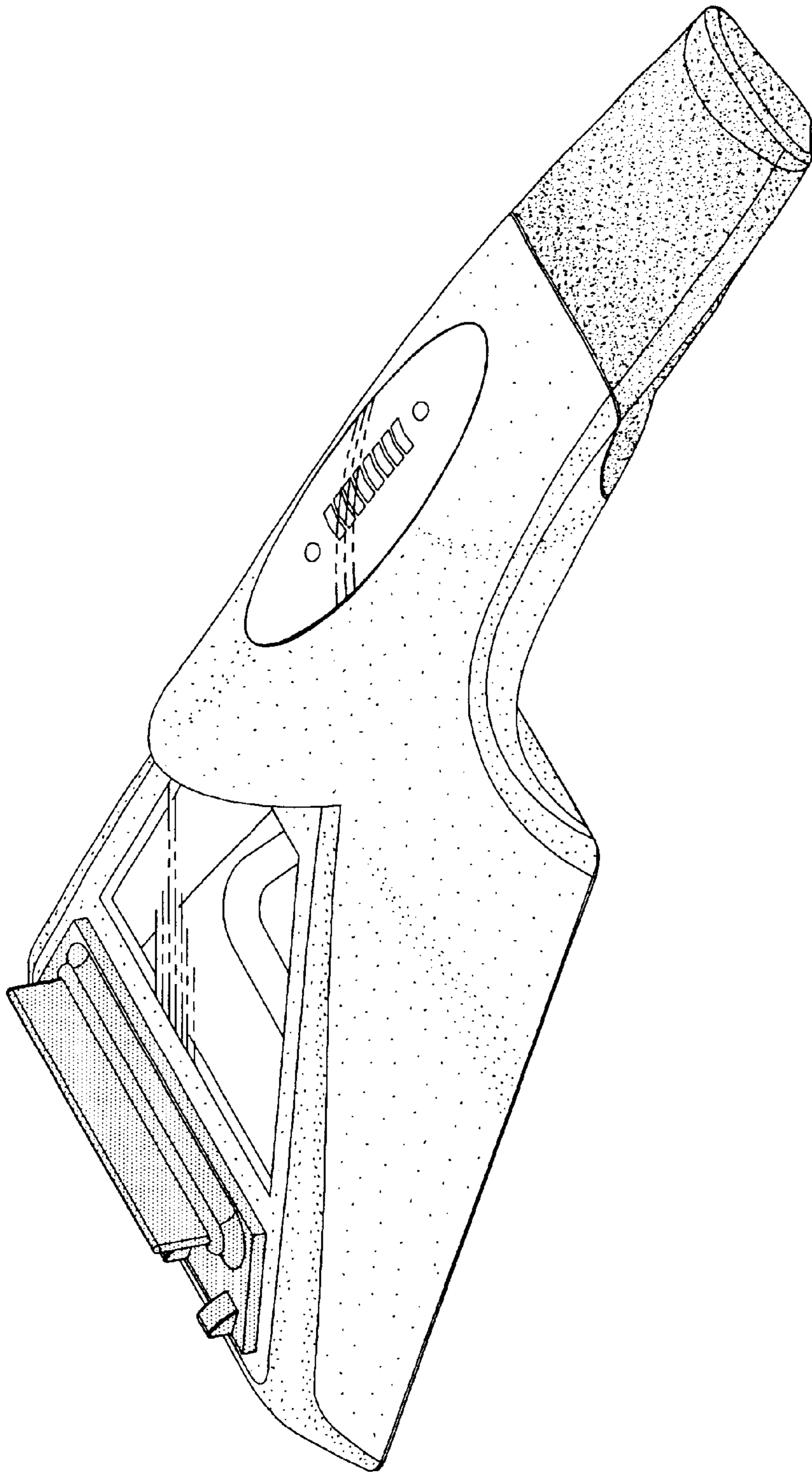


FIG. 1

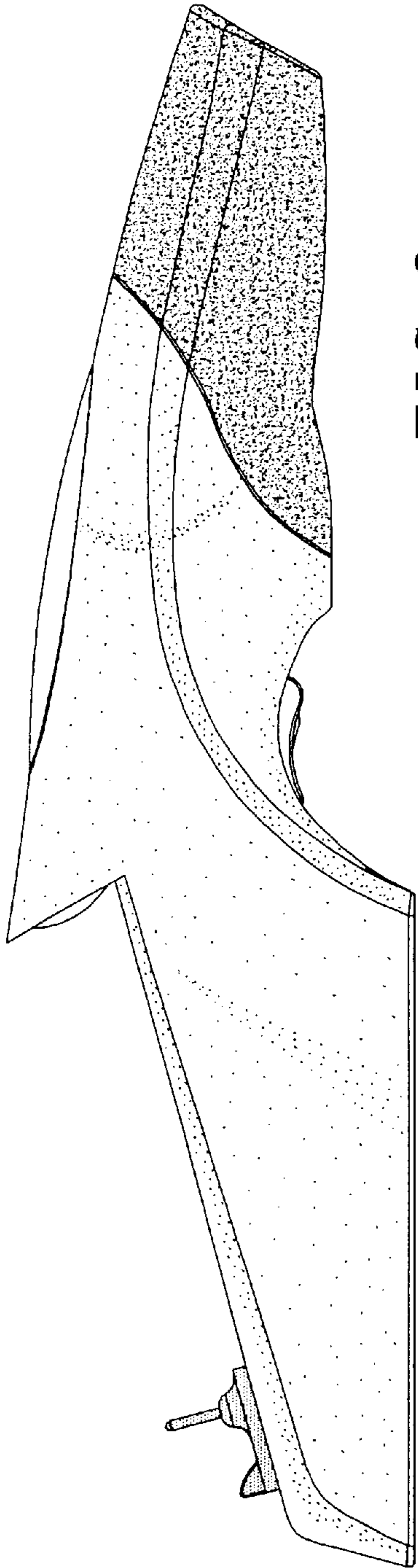


FIG. 2

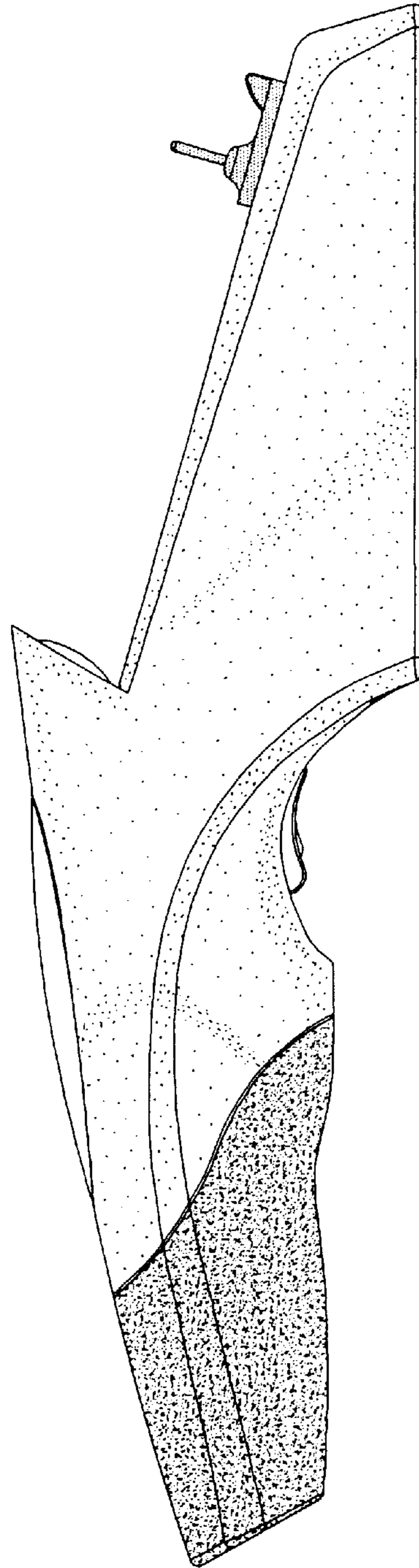


FIG. 3

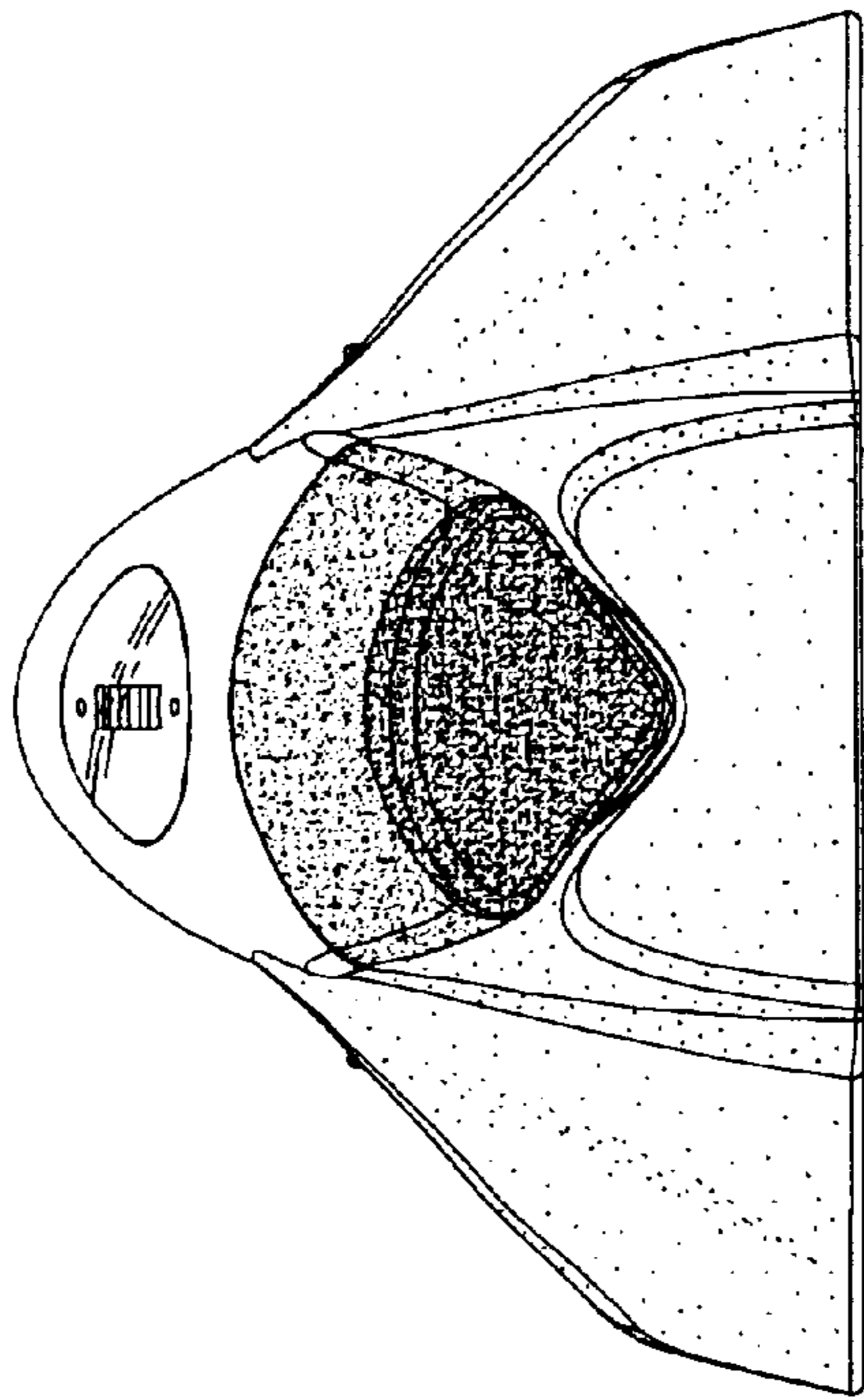


FIG. 5

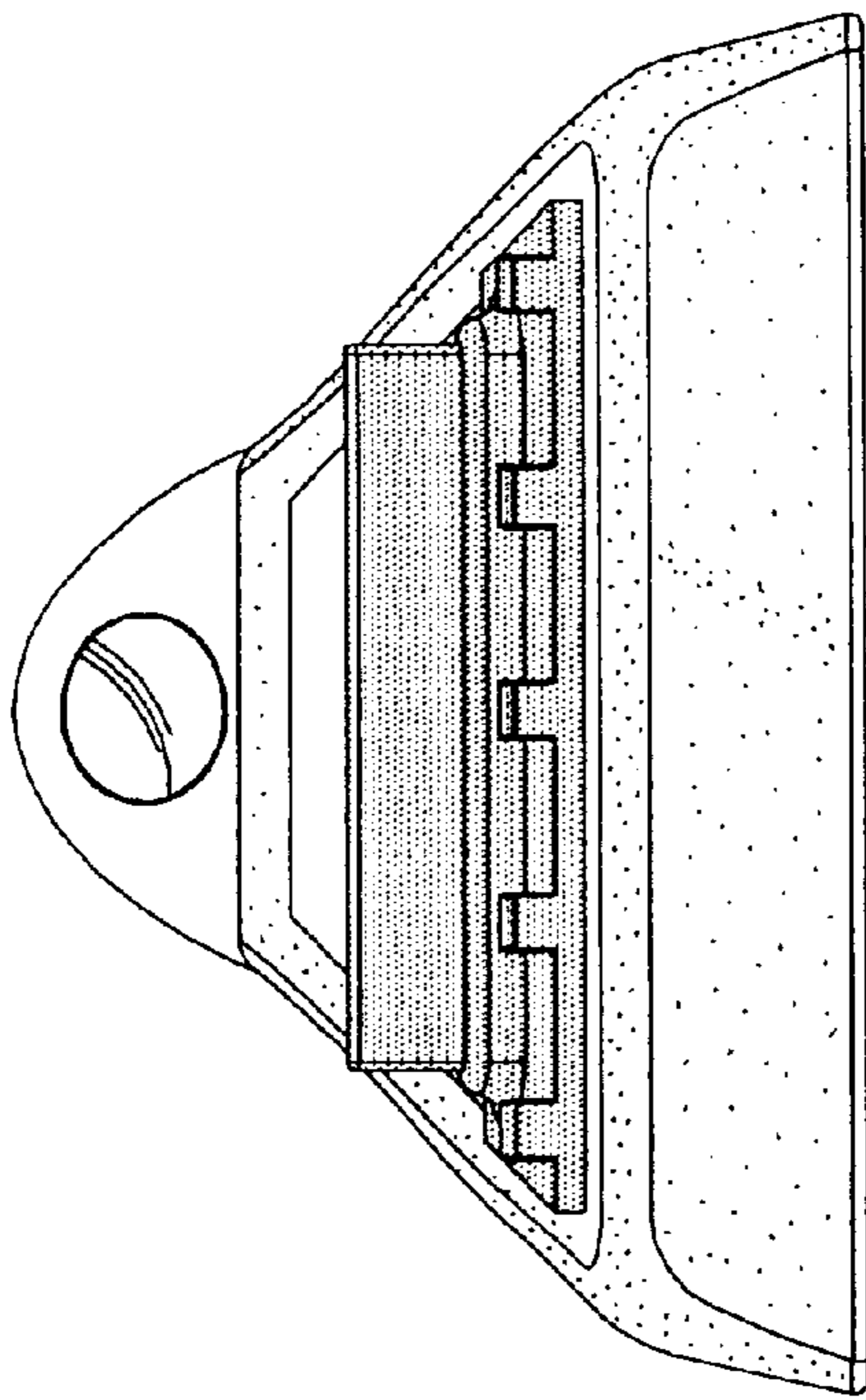


FIG. 4

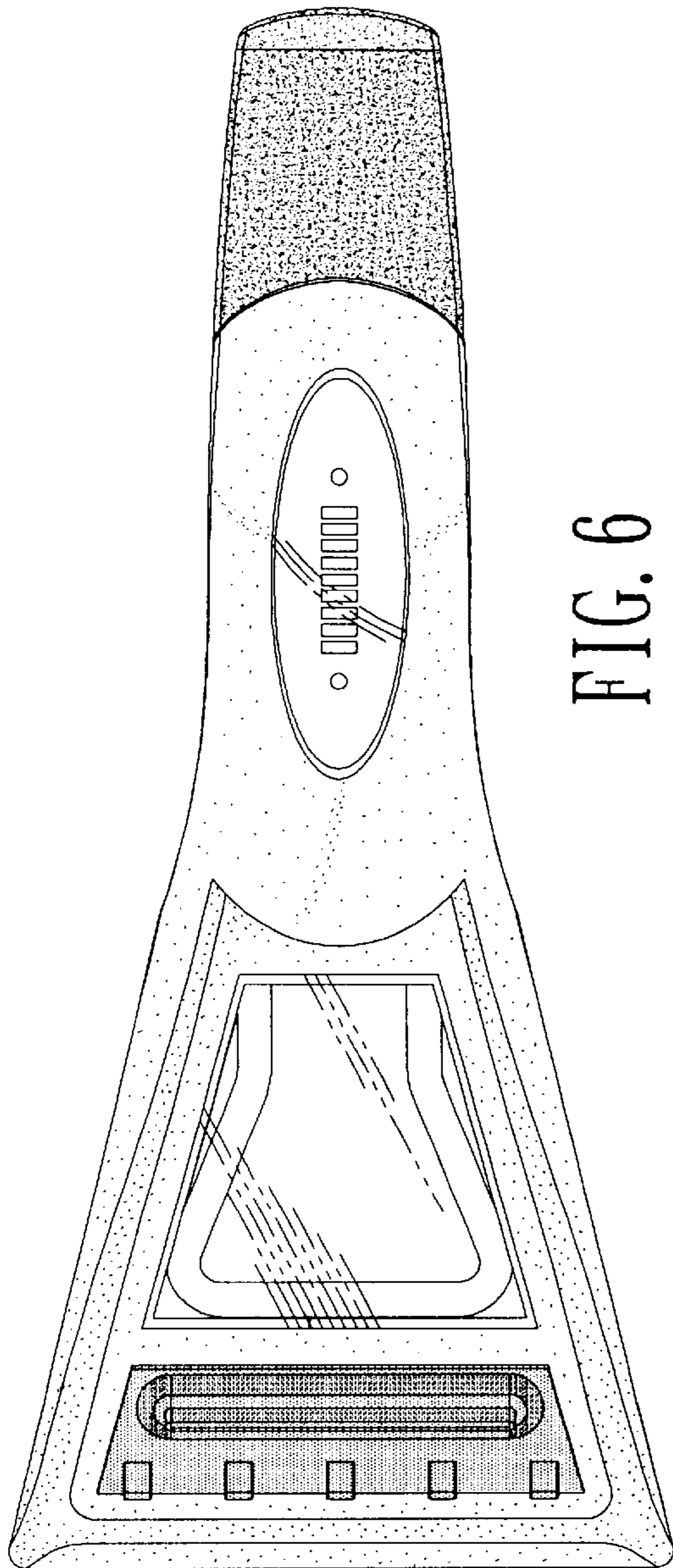


FIG. 6

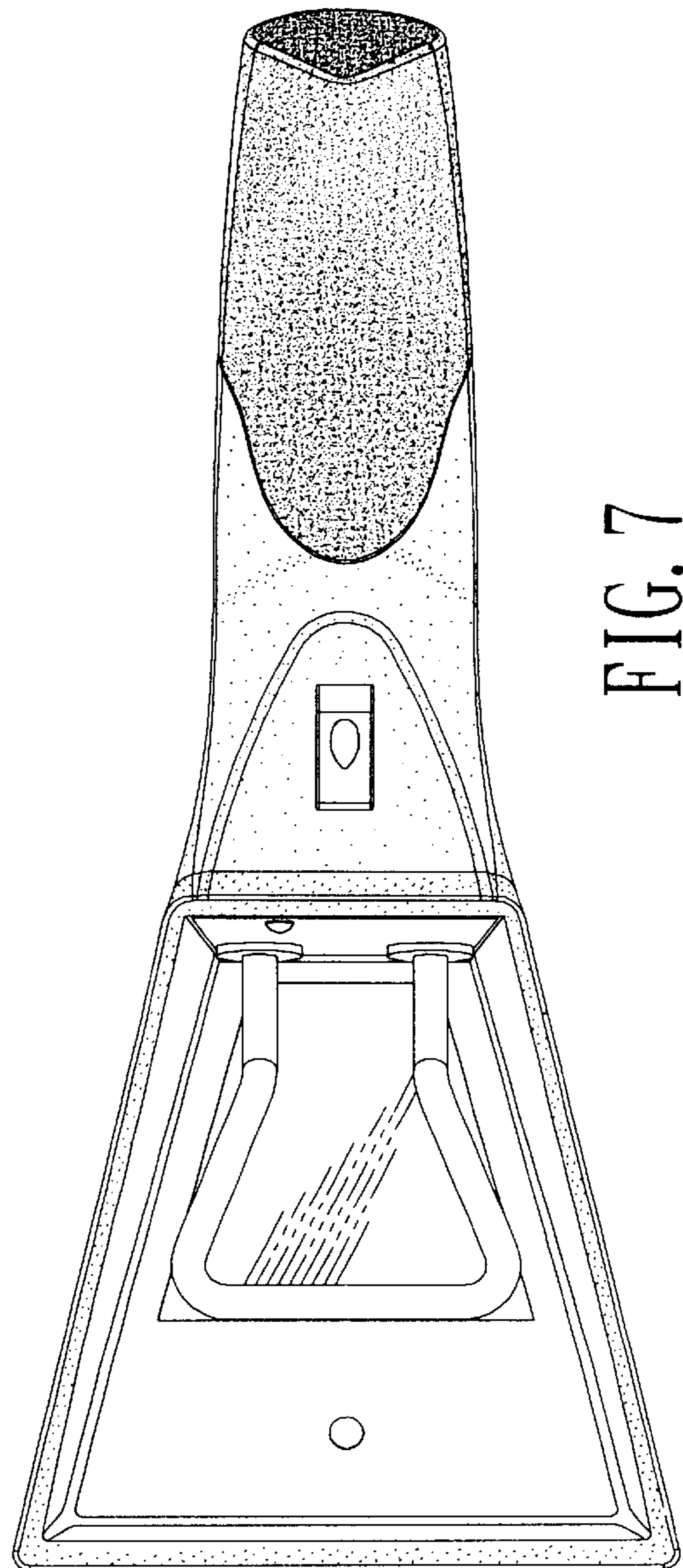


FIG. 7