



US00D479373S

(12) **United States Design Patent**
Silva

(10) **Patent No.:** **US D479,373 S**

(45) **Date of Patent:** **** Sep. 2, 2003**

(54) **GLASS DOOR FOR CLOTHES DRYING MACHINE**

(75) **Inventor:** **Claudio Moreira da Silva, Rio Claro (BR)**

(73) **Assignee:** **Multibras S.A. Eletrodomesticos, Sao Paulo (BR)**

(**) **Term:** **14 Years**

(21) **Appl. No.:** **29/151,041**

(22) **Filed:** **Nov. 1, 2001**

(30) **Foreign Application Priority Data**

May 4, 2001 (BR) DI 6101066

(51) **LOC (7) Cl.** **15-05**

(52) **U.S. Cl.** **D32/25**

(58) **Field of Search** D32/1-3, 5-6, D32/8, 10, 12, 25; 137/374; 15/DIG. 7; 134/135, 56 D, 58 D, 57 D; 312/109; 68/3 R, 12.27; 34/524, 108, 139; D7/348, 339, 405

(56) **References Cited**

U.S. PATENT DOCUMENTS

- D54,441 S * 2/1920 Meyer D32/6
- D55,351 S * 5/1920 Wolcott D32/2
- D64,062 S * 2/1924 Haberman D32/12
- D75,830 S * 7/1928 Defibaugh D32/12
- D79,581 S * 10/1929 Schroeder D32/12
- D153,913 S * 5/1949 Bartlett D32/2
- D187,256 S * 2/1960 Keating D7/348

- D188,001 S * 5/1960 Otto D32/6
- D368,619 S * 4/1996 Garber D7/339
- D403,471 S * 12/1998 Brace D32/2
- D423,287 S * 4/2000 Marchand D7/405
- D438,677 S * 3/2001 Roberts D32/3
- D450,164 S * 11/2001 Dyson et al. D32/6
- D460,841 S * 7/2002 Richardson D32/2

* cited by examiner

Primary Examiner—Louis S. Zarfes

Assistant Examiner—Robert A Delehanty

(74) *Attorney, Agent, or Firm*—Darby & Darby

(57) **CLAIM**

The ornamental design for a glass door for clothes drying machine, as shown and described.

DESCRIPTION

FIG. 1 is a perspective view of a glass door for clothes drying machine showing a first embodiment of my new design;

FIG. 2 is a front elevation view thereof;

FIG. 3 is a side elevation view, the opposite side being a mirror image thereof;

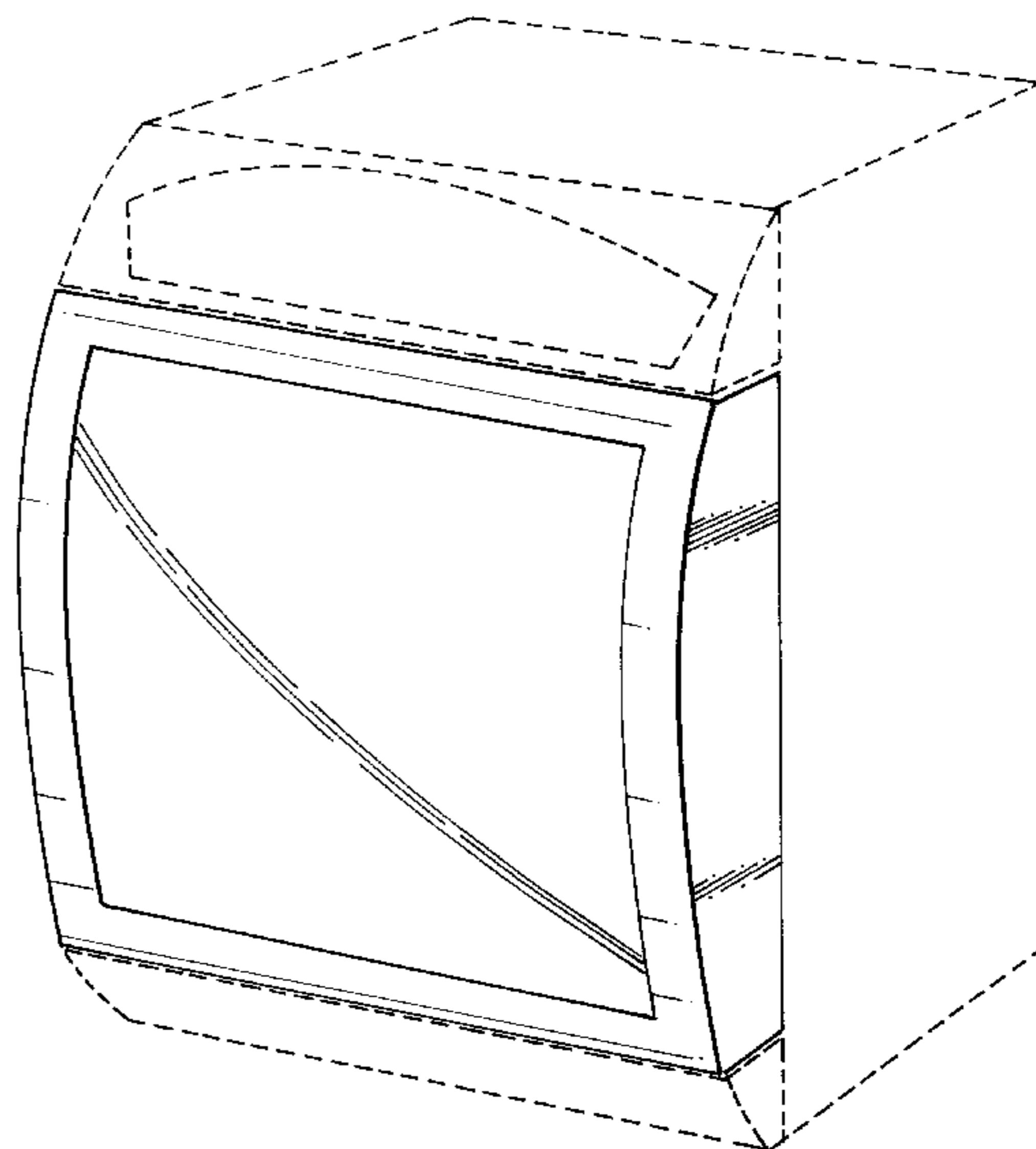
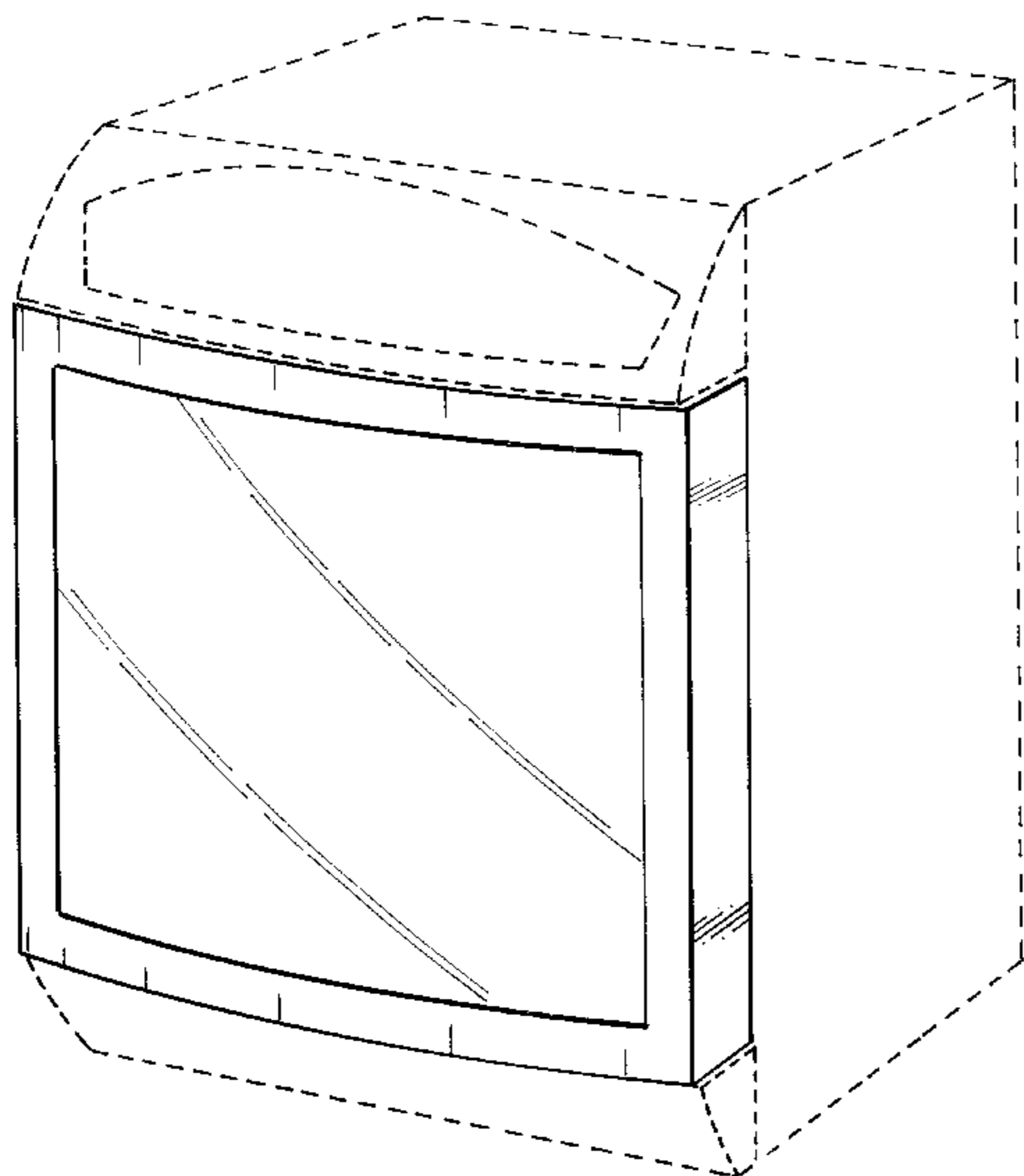
FIG. 4 is a perspective view of a second embodiment thereof;

FIG. 5 is a front elevation view thereof; and,

FIG. 6 is a side elevation view, the opposite side being a mirror image thereof.

The broken line showing of the rear portions of a clothes drying machine is for illustrative purposes only and forms no part of the claimed design.

1 Claim, 6 Drawing Sheets



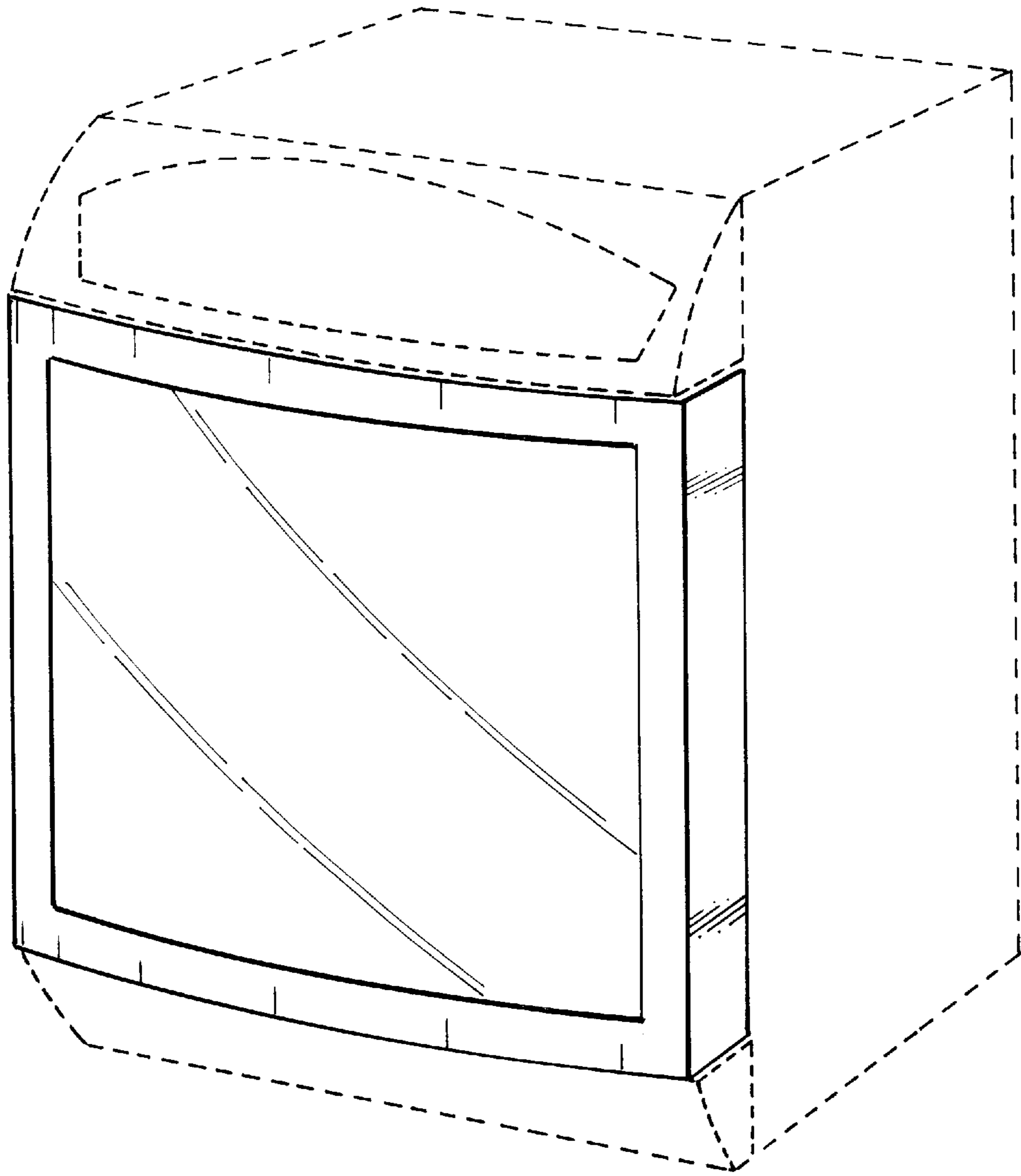


Fig. 1

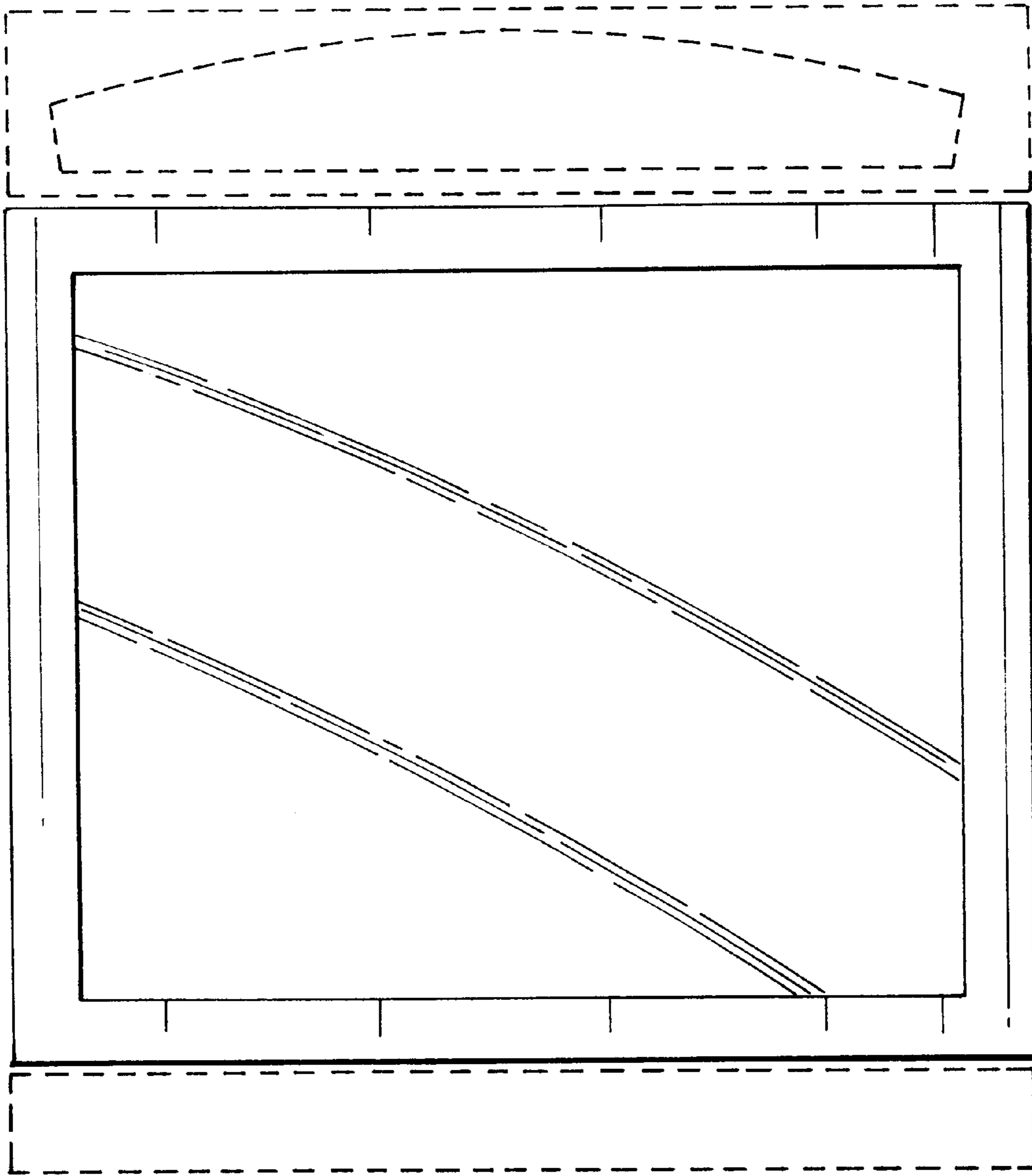


Fig. 2

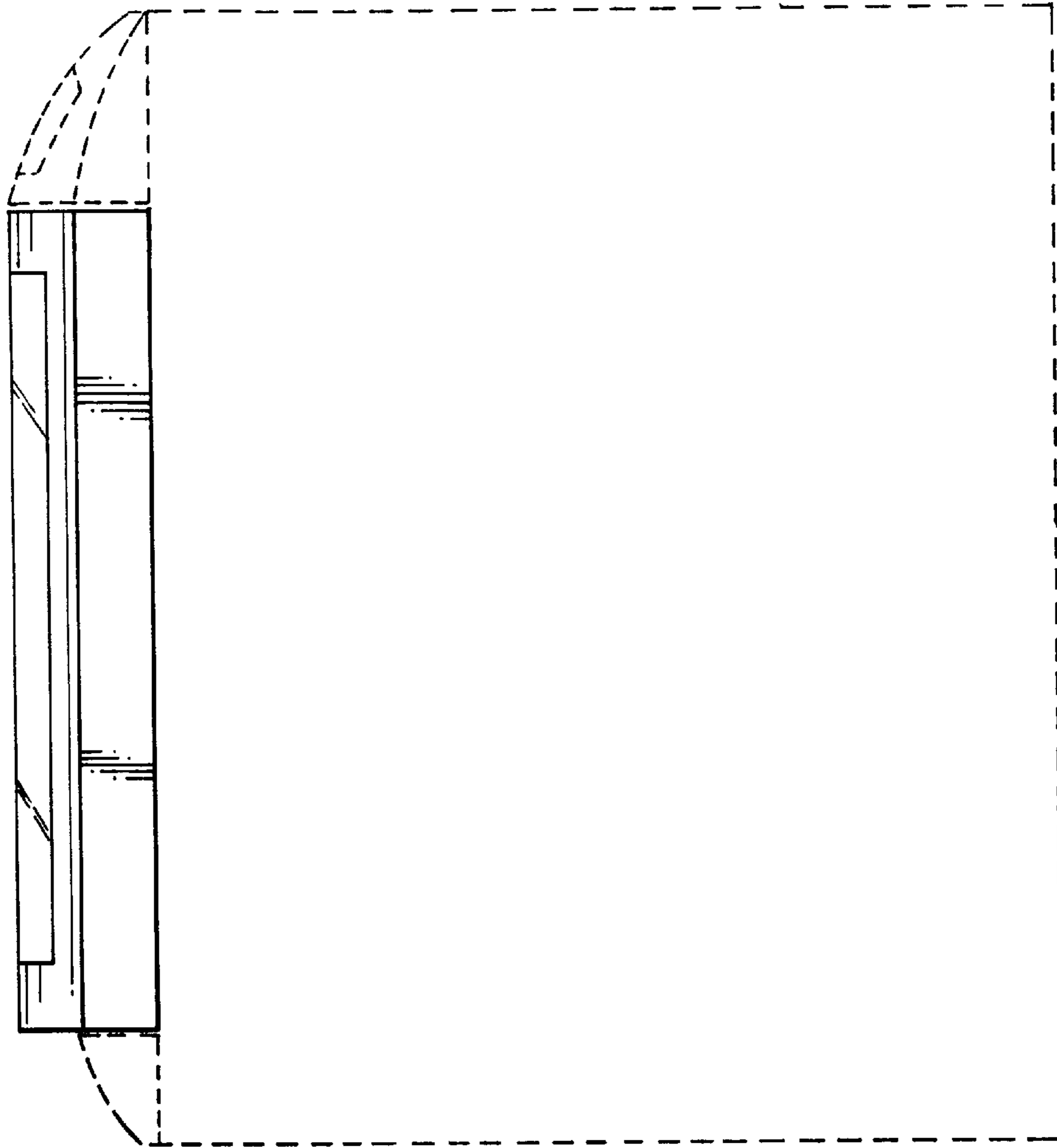


Fig. 3

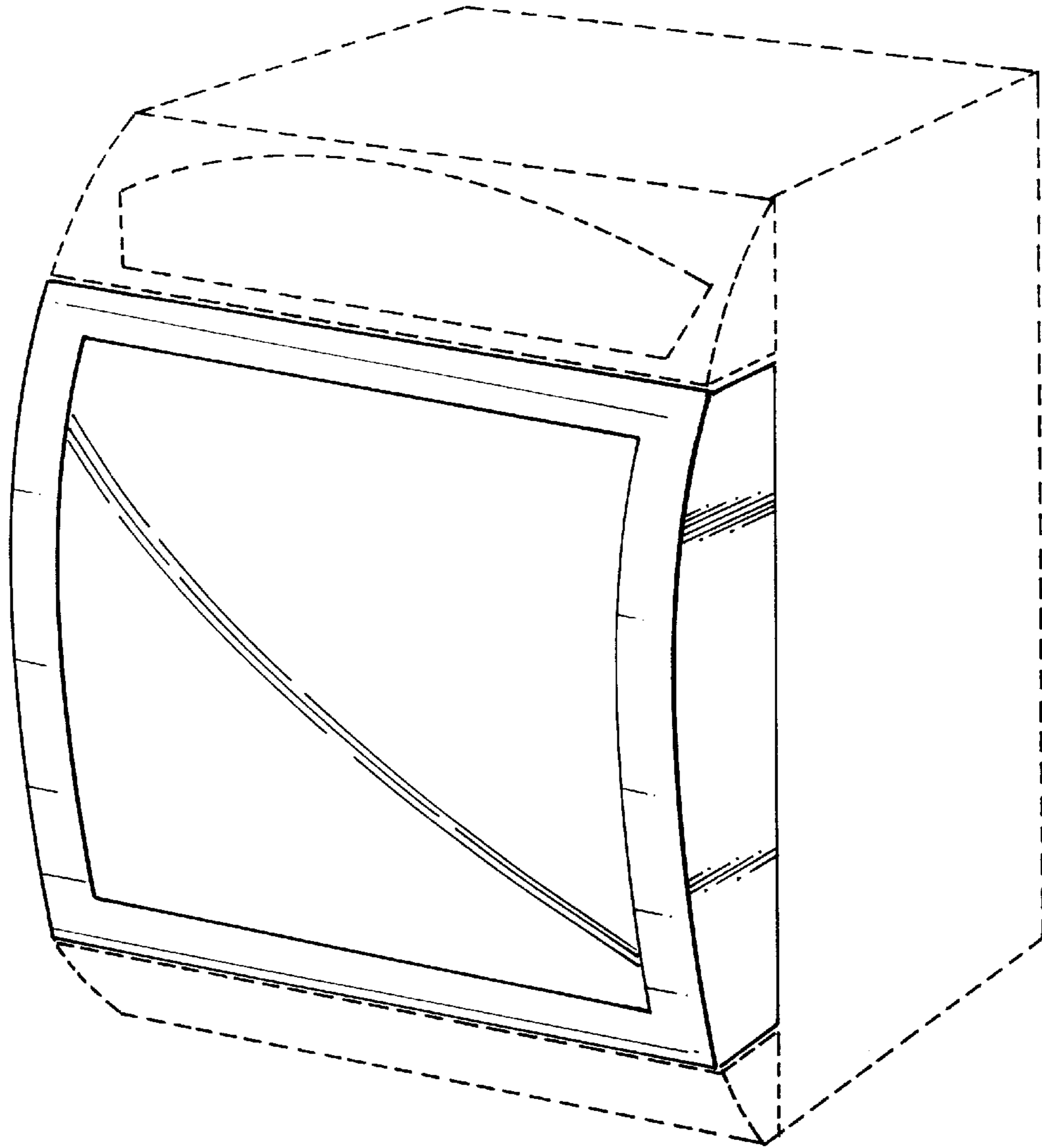


Fig. 4

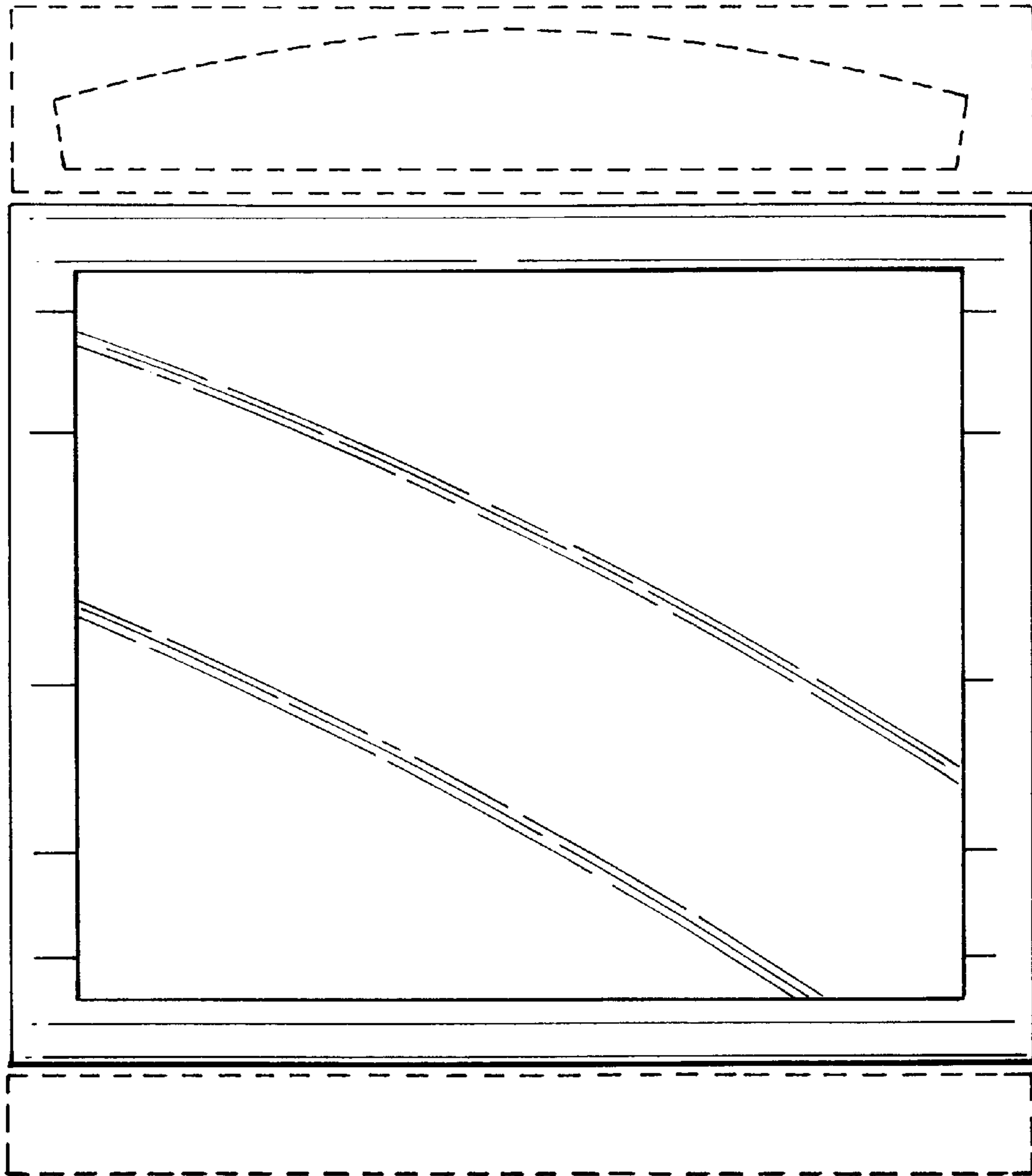


Fig. 5

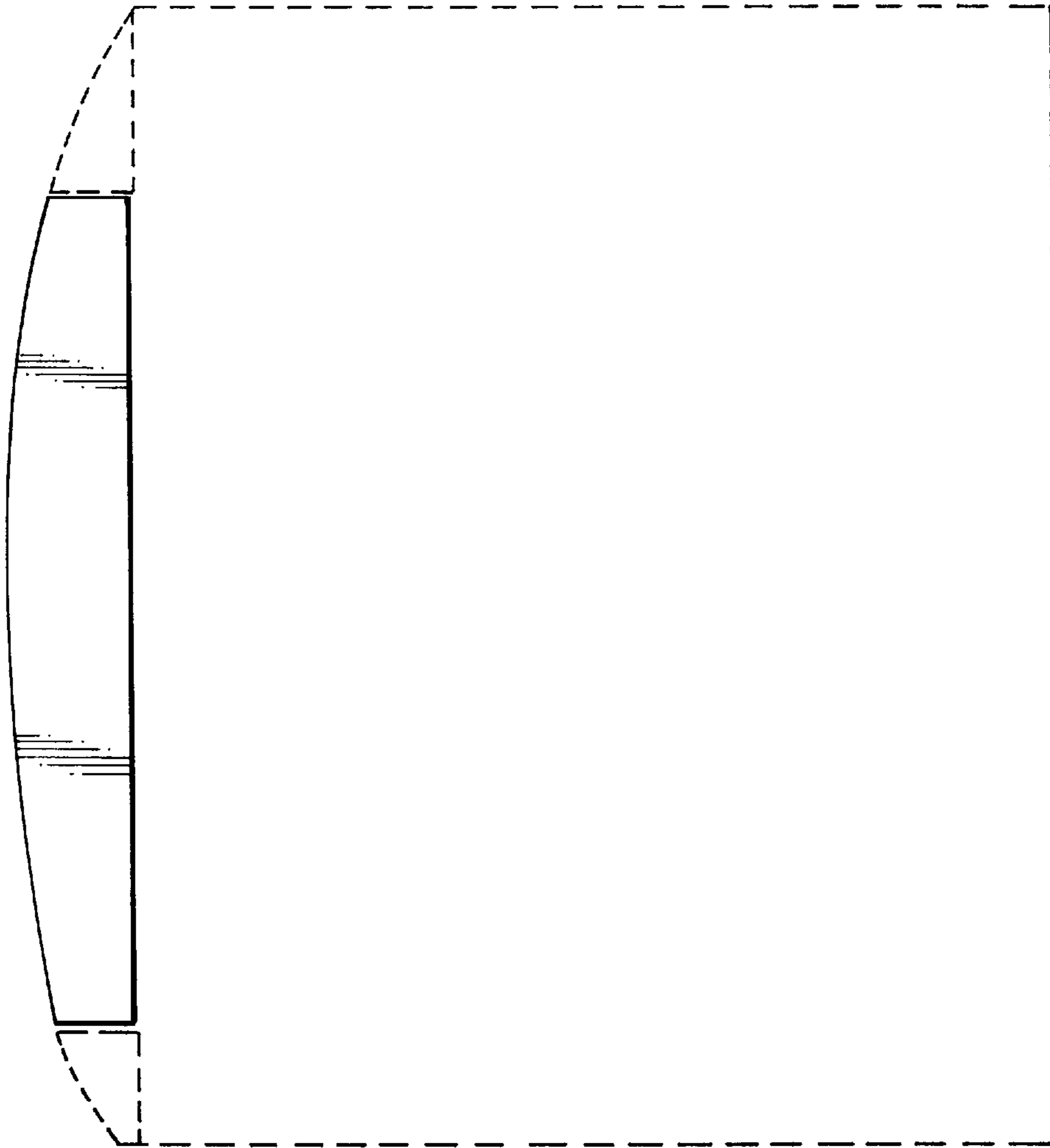


Fig. 6