



US00D479372S

(12) **United States Design Patent**
Griffin

(10) **Patent No.: US D479,372 S**

(45) **Date of Patent: ** Sep. 2, 2003**

(54) **VACUUM CLEANER**

(75) Inventor: **John Griffin**, Phoenix, AZ (US)

(73) Assignee: **Shop-Vac Corporation**, Williamsport, PA (US)

(**) Term: **14 Years**

(21) Appl. No.: **29/158,808**

(22) Filed: **Apr. 10, 2002**

(51) **LOC (7) Cl. 15-05**

(52) **U.S. Cl. D32/23**

(58) **Field of Search** D32/21, 23-24,
D32/31; 15/327.1, 327.2, 327.4, 327.6,
327.7, 320-321, 323, 353

(56) **References Cited**

U.S. PATENT DOCUMENTS

2,920,337 A	1/1960	Smith	417/423.3
D287,171 S	12/1986	Berfield et al.	32/25
4,797,072 A	1/1989	Berfield et al.	417/423.3
4,836,753 A	6/1989	Berfield et al.	417/236
4,880,364 A	11/1989	Berfield	417/423.3
D315,624 S	3/1991	Kimura et al.	32/23
5,144,716 A	9/1992	Watanabe et al.	15/323
D357,336 S	4/1995	Moine et al.	32/23
D357,773 S	4/1995	Wareham et al.	32/23
D358,010 S	5/1995	Berfield et al.	32/23
D361,179 S	8/1995	Moine et al.	32/23
D362,091 S	9/1995	Tomasiak et al.	32/23
D372,567 S	8/1996	Moine et al.	32/23
D373,862 S	9/1996	Stephens et al.	32/23
D378,152 S	2/1997	deBlois et al.	32/23
5,606,769 A	3/1997	Tomasiak et al.	15/327.6
D383,575 S	9/1997	Griffin	32/23

(List continued on next page.)

OTHER PUBLICATIONS

SHOP-VAC Brochure, QSP Series, Quiet Super Power Wet/Dry Vacs, Model Nos. 900-80 thru 900-84, dated Aug. 1993.

SHOP-VAC Brochure, 707 Series Super Performance Wet/Dry Vacs, Model No. 707-10, dated Mar. 1991.

SHOP-VAC Brochure, QSP Series—Quiet Super Performance Wet/Dry Vacs, Models 900-86 and 900-87, dated Aug. 1993.

SHOP-VAC Brochure, QSP Series—Quiet Super Power Wet/Dry Vacs, Model No. 900-29, dated Aug. 1993.

SHOP-VAC Brochure, Series 914—Quiet Super Performance Wet/Dry Vacs, Model Nos. 914-15 and 914-27, dated Apr. 1997.

SHOP-VAC Brochure, FLOORMASTER, Wet & Dry Cleaning System, Model No. 909-50, dated Jan. 1989.

SHOP-VAC Brochure, The QSP Line of Wet/Dry Vacs from Shop Vac, dated 1994.

SHOP-VAC Brochure, ALL AROUND Vac, dated 1997.

SHOP-VAC Brochure, QSP PRO, dated 1998.

SHOP-VAC Brochure, QPV, dated 1997.

SHOP-VAC Brochure, 1X1 Wet/Dry Vac, dated 1997.

Karcher Catalogue, High Performance Wet and Dry Vacuums, Dust Extraction and Spray Extraction Machines, dated 1999.

* cited by examiner

Primary Examiner—Ruth McInroy

(74) *Attorney, Agent, or Firm*—Marshall, Gerstein & Borun

(57) **CLAIM**

The ornamental design for a vacuum cleaner, as shown and described.

DESCRIPTION

FIG. 1 is a left side perspective view taken from the front and above of a vacuum cleaner showing our new design:

FIG. 2 is a front view thereof;

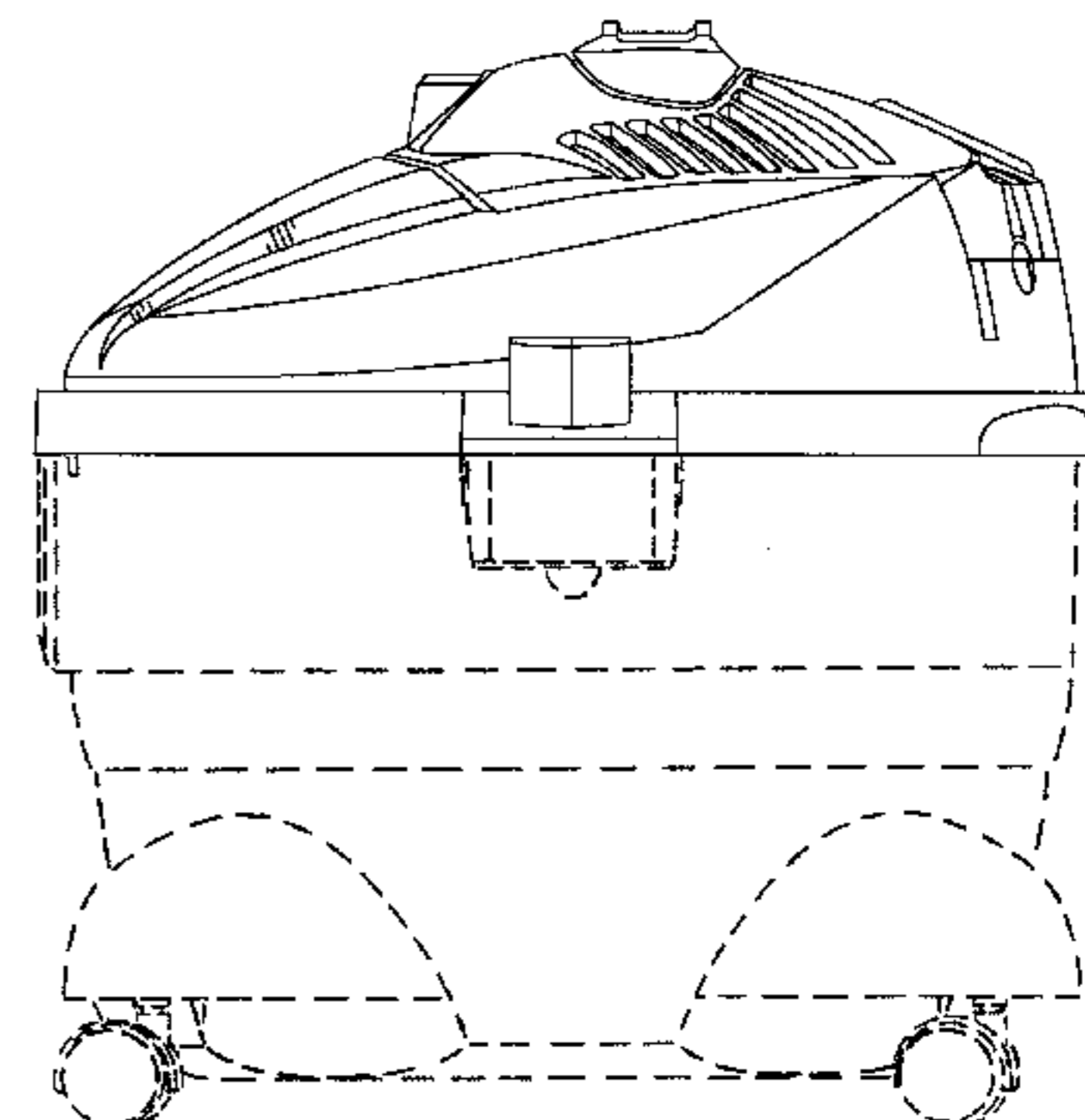
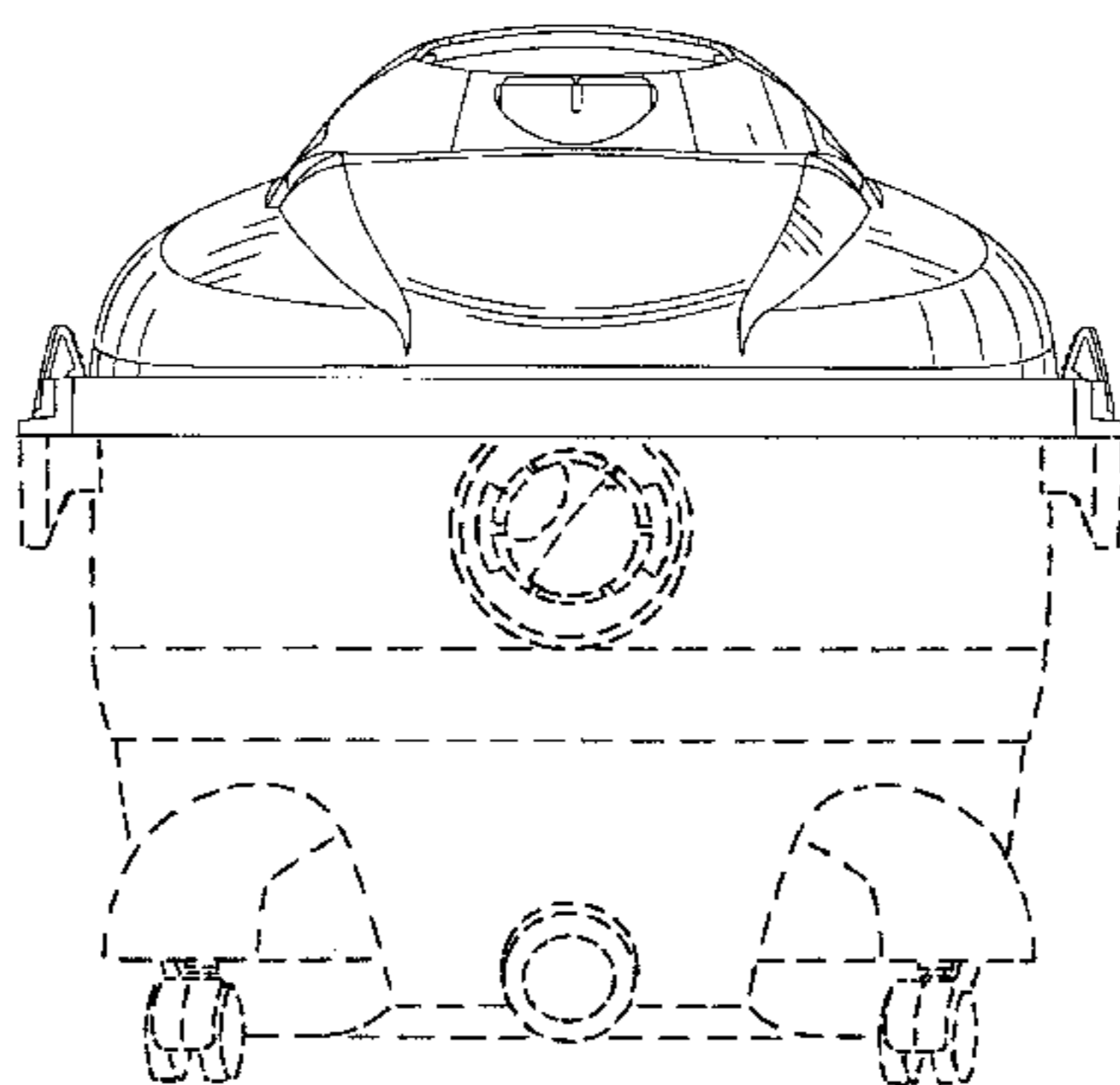
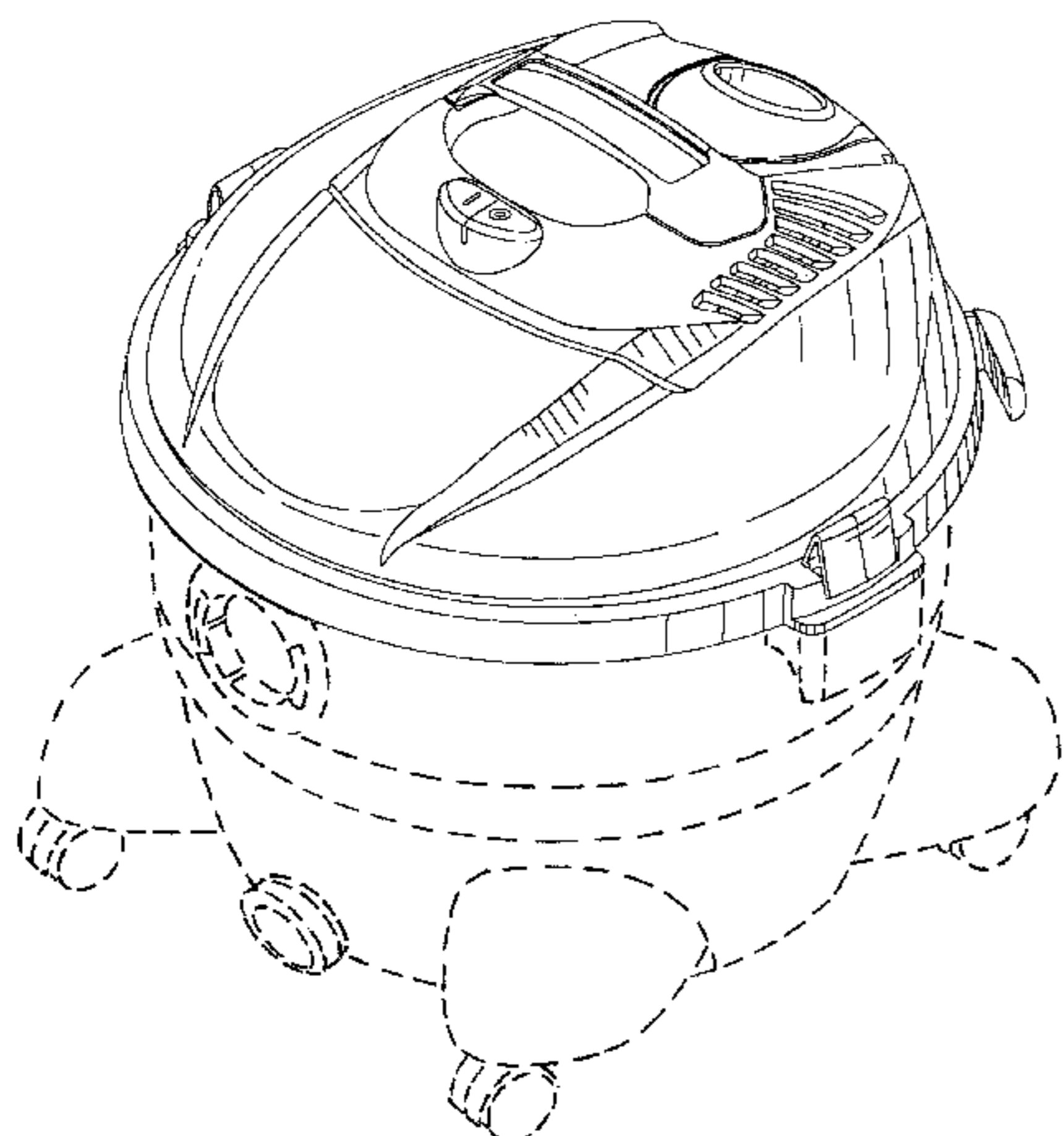
FIG. 3 is a right elevational view; the left view being a mirror image thereof;

FIG. 4 is rear view thereof; and,

FIG. 5 is a plan view thereof.

The details shown in broken lines in all views are for illustrative purposes only and form no part of the claimed design.

1 Claim, 5 Drawing Sheets



US D479,372 S

Page 2

U.S. PATENT DOCUMENTS

D384,448 S	9/1997	Stephens et al.	32/23	D445,549 S	7/2001	Griffin	32/31
D388,565 S	12/1997	Pietrobon	32/23	D446,892 S	8/2001	Griffin	32/23
D389,962 S	1/1998	Berfield et al.	32/23	D447,292 S	8/2001	Griffin	32/23
D395,119 S	6/1998	Berfield et al.	34/23	D447,293 S	8/2001	Griffin	32/23
5,943,731 A	8/1999	Wood	15/323	D447,842 S	9/2001	Griffin	32/23
D429,042 S	8/2000	Griffin et al.	32/23	D447,843 S	9/2001	Griffin	32/23
D429,855 S	8/2000	Griffin	32/23	D447,844 S	9/2001	Griffin	32/31
D429,857 S	8/2000	Griffin	32/23	D452,052 S	12/2001	Griffin	32/23
D430,367 S	8/2000	Griffin	32/23	D454,672 S	3/2002	Griffin	32/23
D430,713 S	9/2000	Griffin	32/23	6,385,809 B1 *	5/2002	Martin et al.	15/326
D438,353 S	2/2001	Hoshino et al.	32/23	D460,230 S *	7/2002	Griffin	D32/31
D438,678 S	3/2001	Griffin	32/21	D466,659 S *	12/2002	Griffin	D32/31
D439,710 S	3/2001	Griffin	32/31	D469,934 S *	2/2003	Fry et al.	D32/23
D443,739 S *	6/2001	Young et al.	D32/23	D470,279 S *	2/2003	Griffin et al.	D32/23
D444,276 S	6/2001	Griffin	32/31	D470,280 S *	2/2003	Griffin et al.	D32/23
D445,548 S	7/2001	Griffin	32/21	D470,281 S *	2/2003	Griffin et al.	D32/23

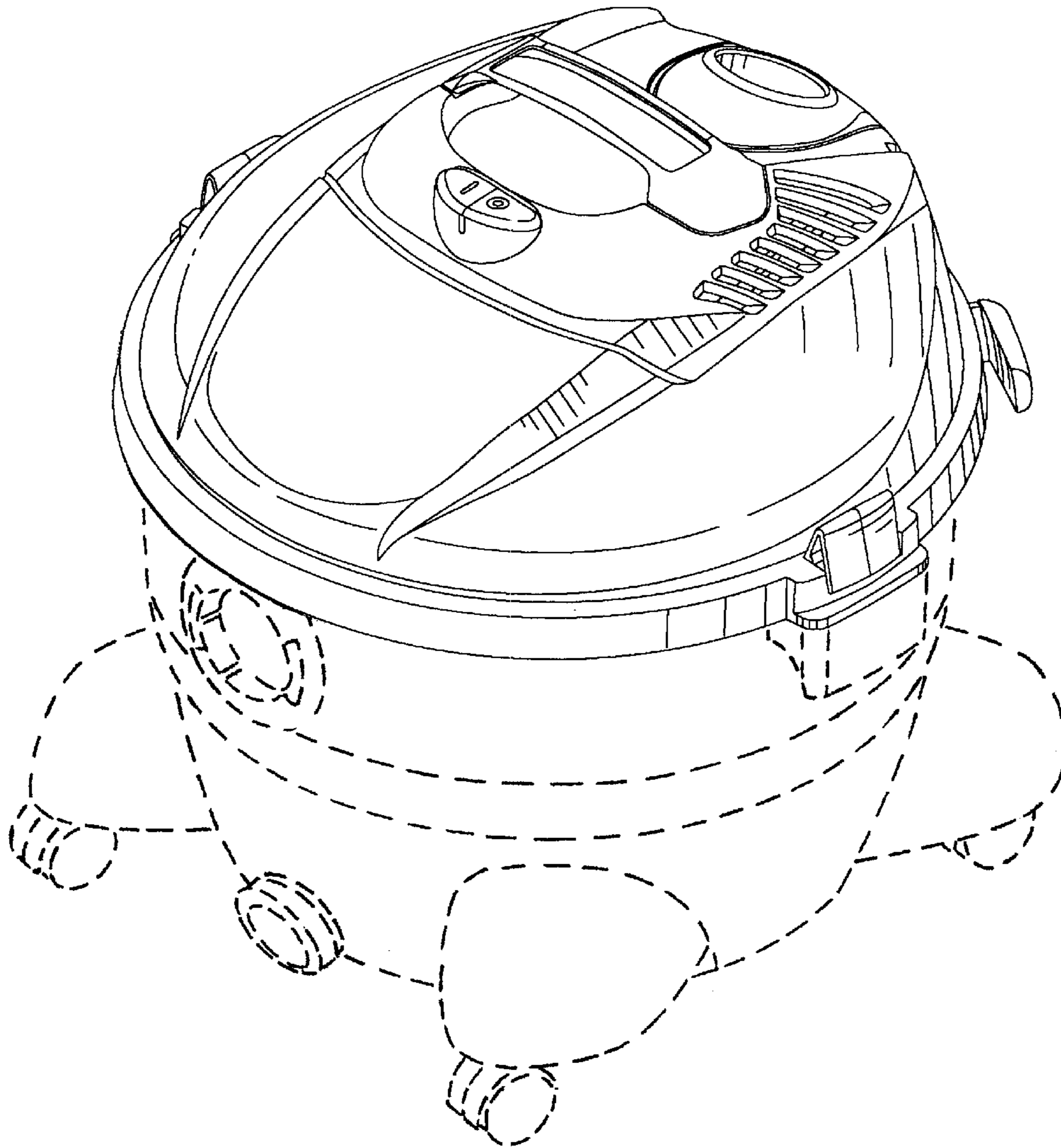


FIG. 1

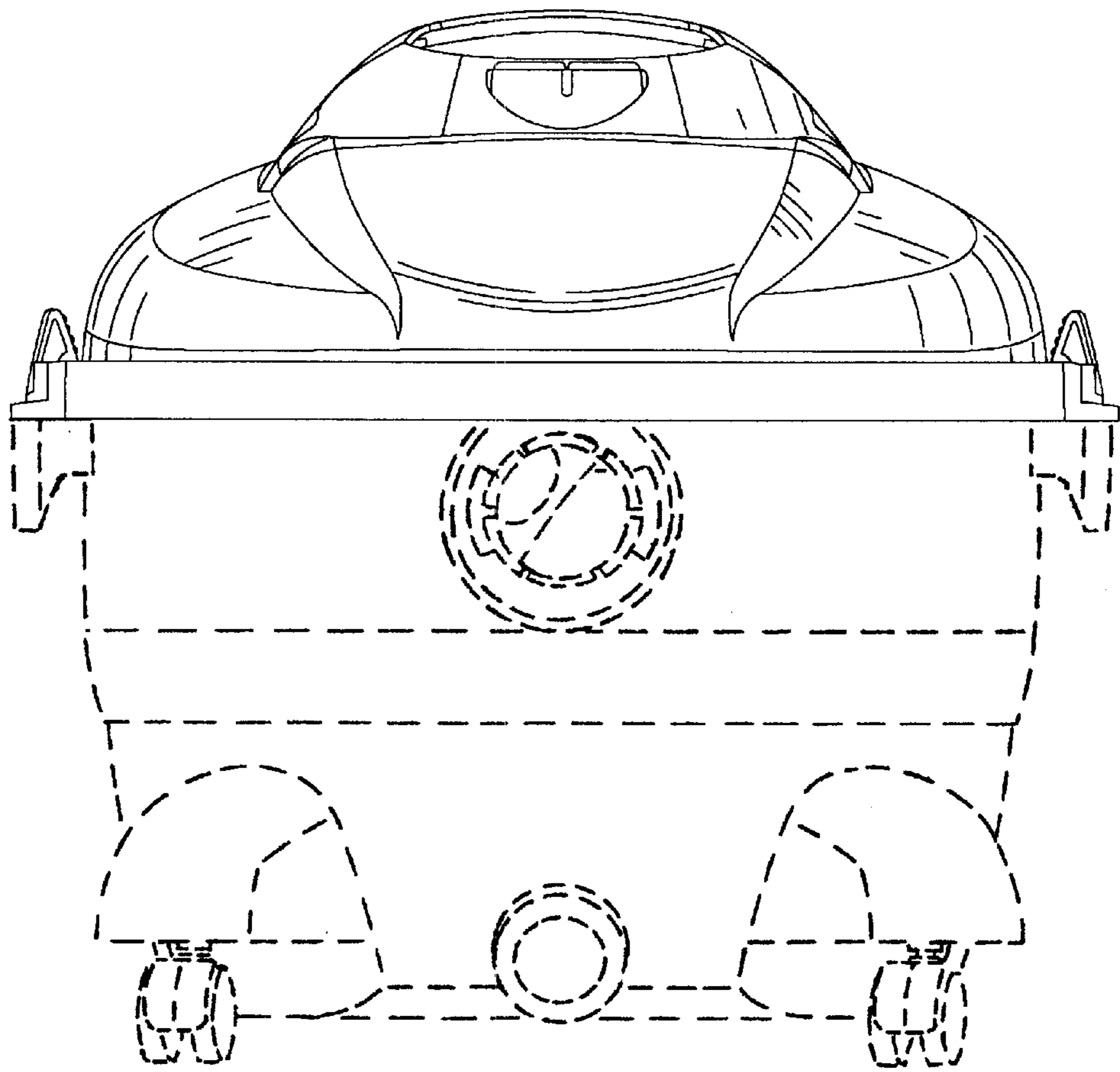


FIG. 2

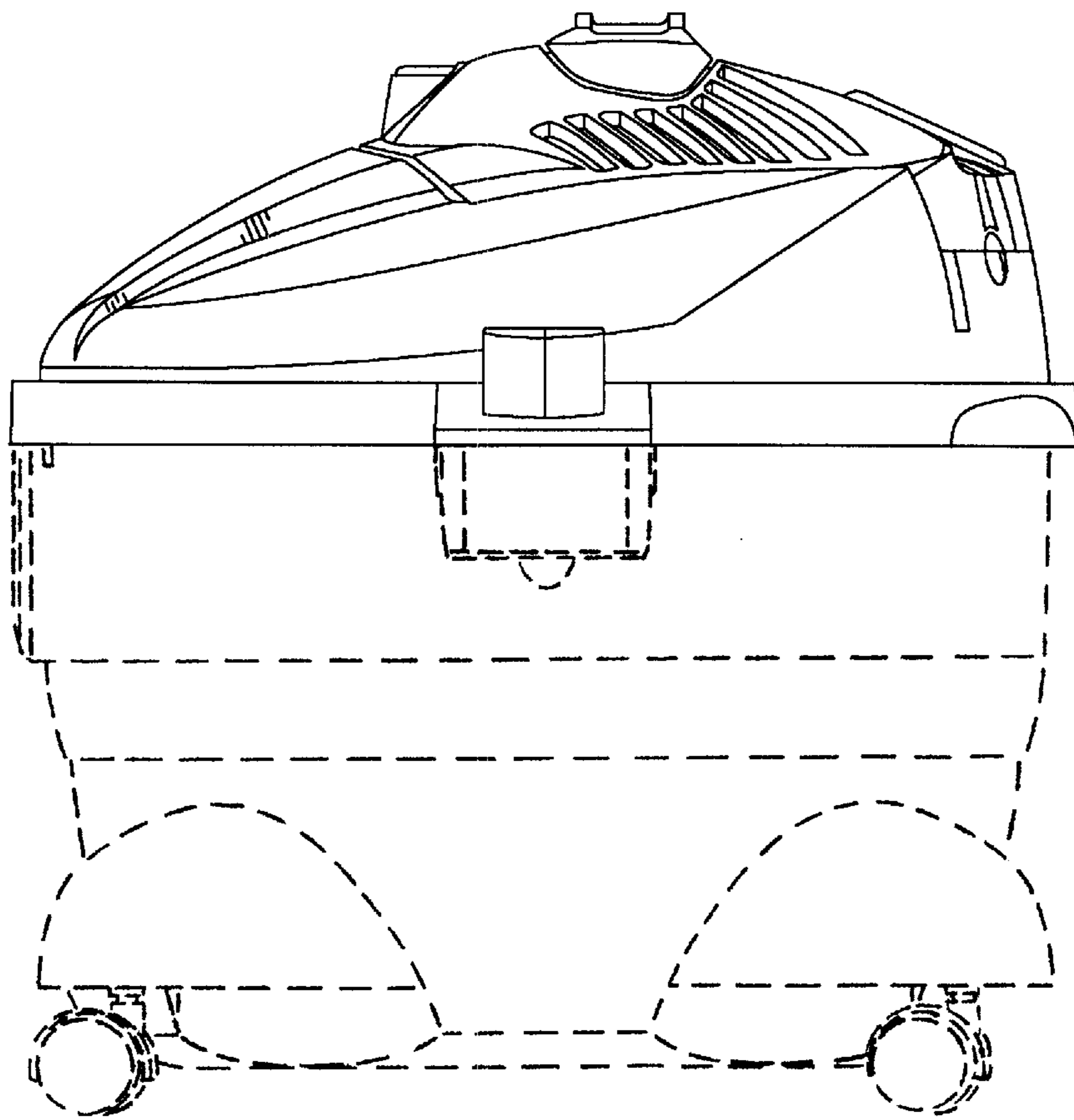


FIG. 3

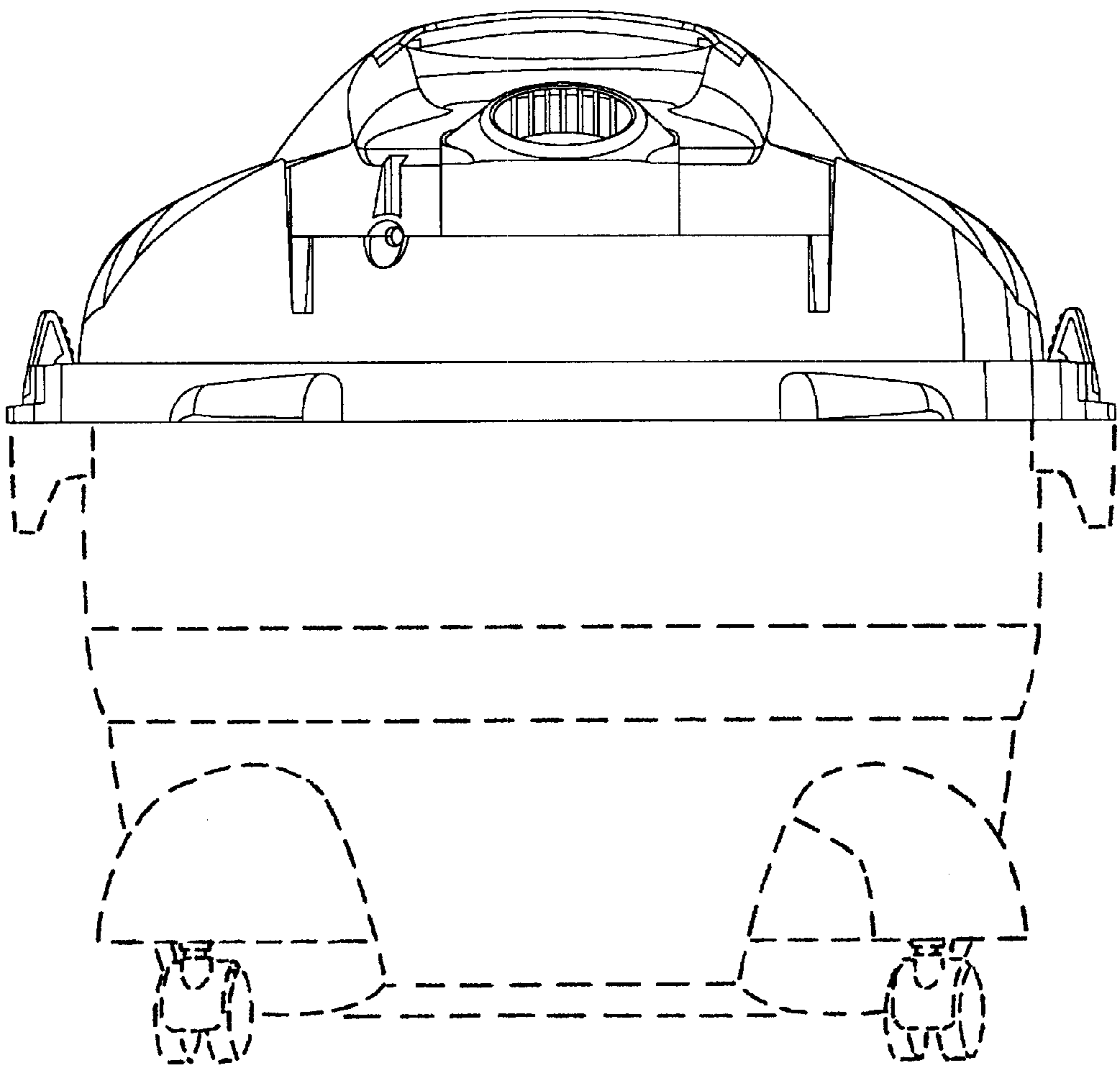


FIG. 4

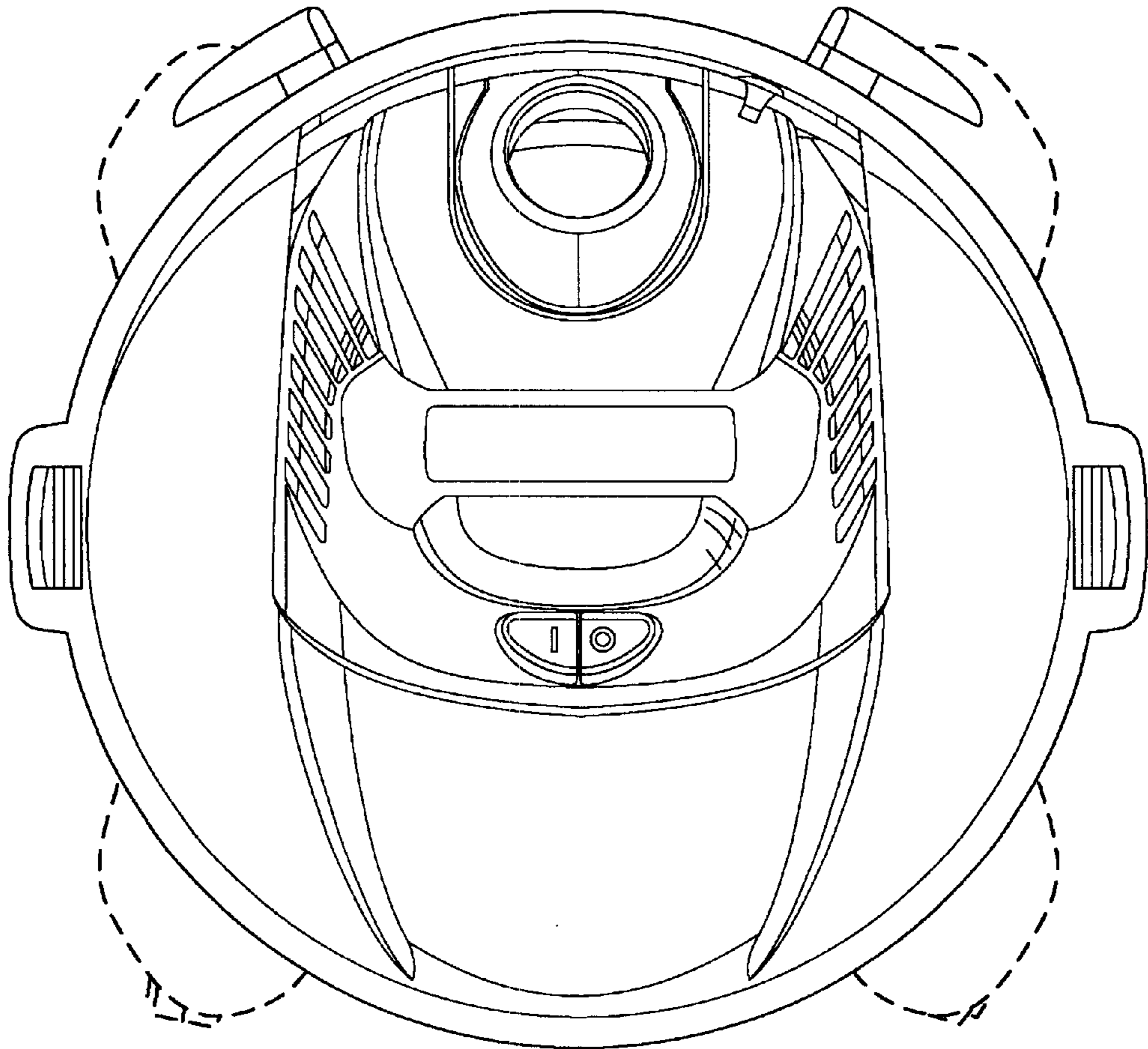


FIG. 5