



US00D479369S

(12) **United States Design Patent**
Kirch

(10) **Patent No.:** **US D479,369 S**

(45) **Date of Patent:** **** Sep. 2, 2003**

(54) **RAWHIDE CHEW BONE**

(75) **Inventor:** **Robert J. Kirch**, Aurora, CO (US)

(73) **Assignee:** **Aspen Pet Products, Inc.**, Denver, CO (US)

(**) **Term:** **14 Years**

(21) **Appl. No.:** **29/157,162**

(22) **Filed:** **Mar. 13, 2002**

(51) **LOC (7) Cl.** **30-99**

(52) **U.S. Cl.** **D30/160**

(58) **Field of Search** D30/160; 119/702, 119/706-711; D1/100-101, 106, 120, 125-128, 199; D24/211, 212, 214; 601/121, 139; 473/281, 569, 571, 594; 426/2

(56) **References Cited**

U.S. PATENT DOCUMENTS

2,988,045	A	*	6/1961	Fisher	119/709
D195,168	S	*	5/1963	Oaks	D30/160
5,200,212	A	*	4/1993	Axelrod	426/2
5,673,653	A		10/1997	Sherrill	119/709
D427,416	S	*	7/2000	Frudakis	D1/199
D433,778	S	*	11/2000	Axelrod	D30/160

FOREIGN PATENT DOCUMENTS

DE	24 02 346	7/1975
GB	975333	11/1964
GB	2 194 426	3/1988

OTHER PUBLICATIONS

Doctors Foster & Smith catalog; Jan. 2001; p. 104; Beef-eaters Premium Rawhide Bones; Natural White Rawhide bones; Super Heavyweight bones; entire page.*
R.C. Steele Pet Supplies catalog; p. 78; Premium Rawhide bones; & Harper's Rawhide bones; entire page.*
New England Serum Company Winter 2000 catalog; p. 147; Premium Rawhide bones; top half of page.*
"Beef Basted Super Knotted Bones", advertisement, Walter & Hoffman Distributors, prior to 1995.
"Manufactures 100% Pure White Beefhide", advertisement, Marvi Pet Leather Products, Sep. 1991.
Discount Master Animal Care, brochure, pp. 3-5, Jan. 1996.
"Petcetera", brochure, Petcetra, Inc., pp. 1-3, date unknown.

* cited by examiner

Primary Examiner—Cathy Anne MacCormac

(74) *Attorney, Agent, or Firm*—Dorsey & Whitney LLP

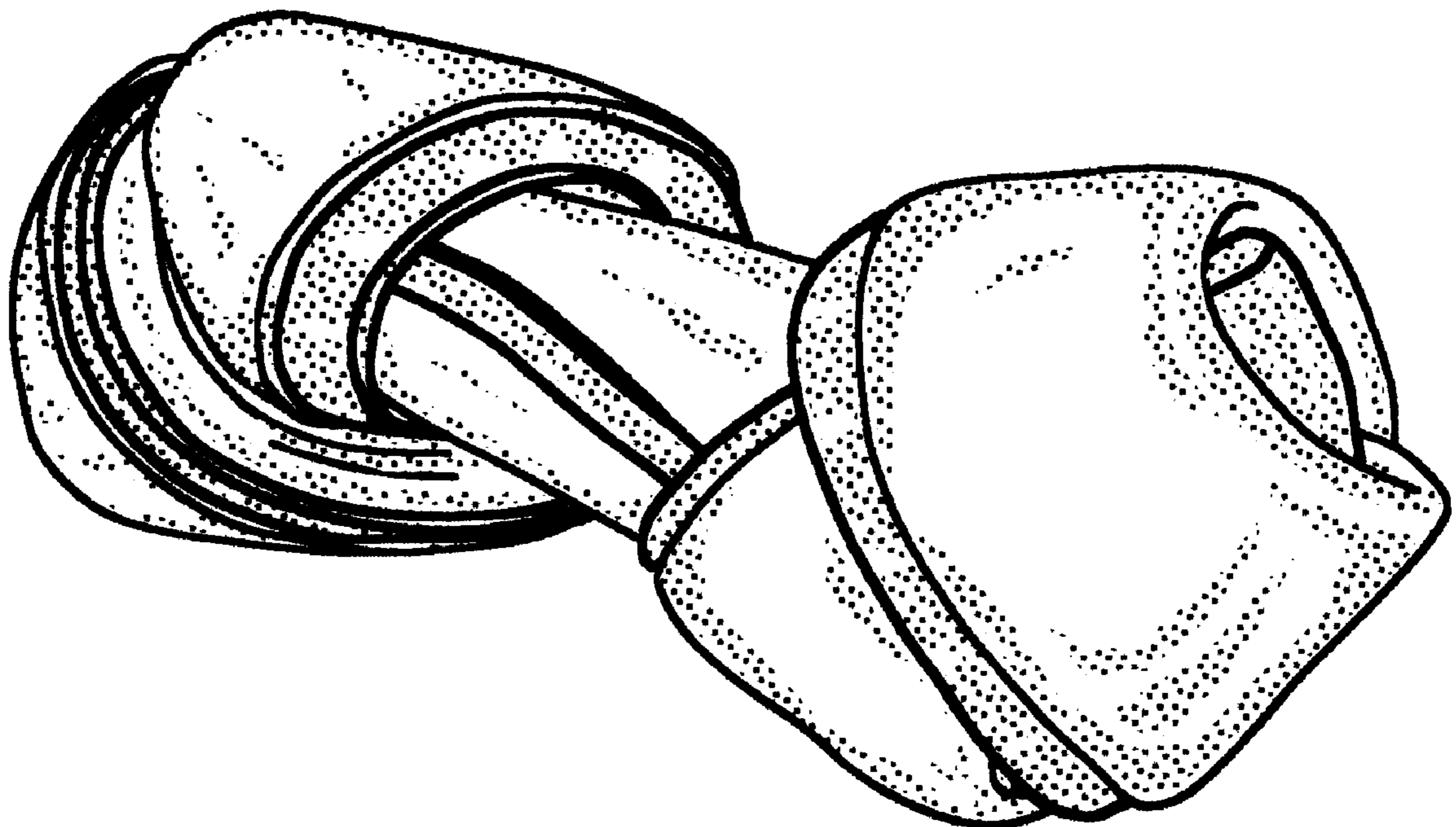
(57) **CLAIM**

I claim the ornamental design for a rawhide chew bone, as shown.

DESCRIPTION

FIG. 1 is an isometric view of a rawhide chew bone;
FIG. 2 is a top plan view thereof;
FIG. 3 is a front elevation thereof;
FIG. 4 is a bottom plan view thereof;
FIG. 5 is a rear elevation thereof;
FIG. 6 is a left side elevation thereof; and,
FIG. 7 is a right side elevation thereof.

1 Claim, 2 Drawing Sheets



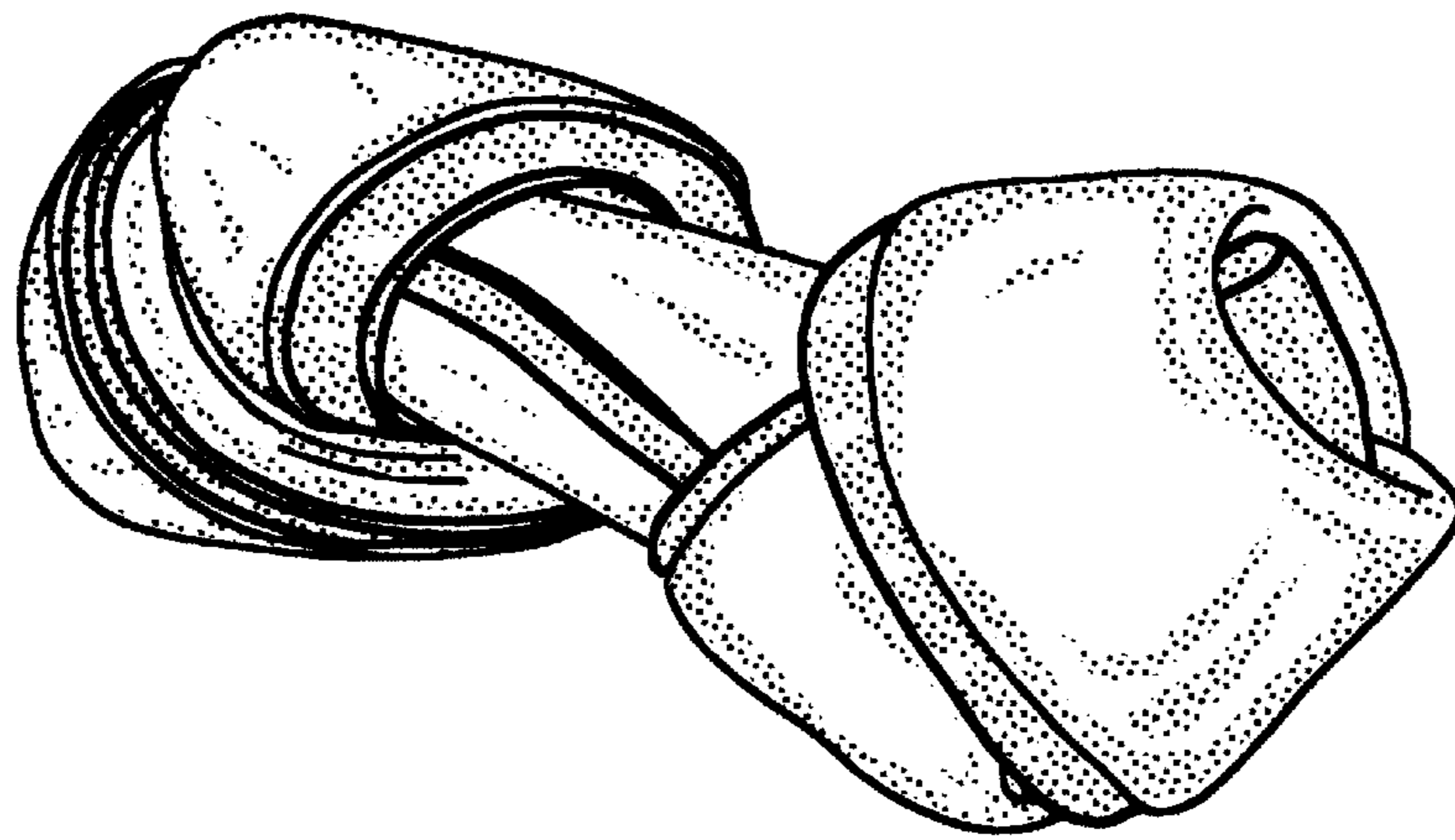


Fig. 1

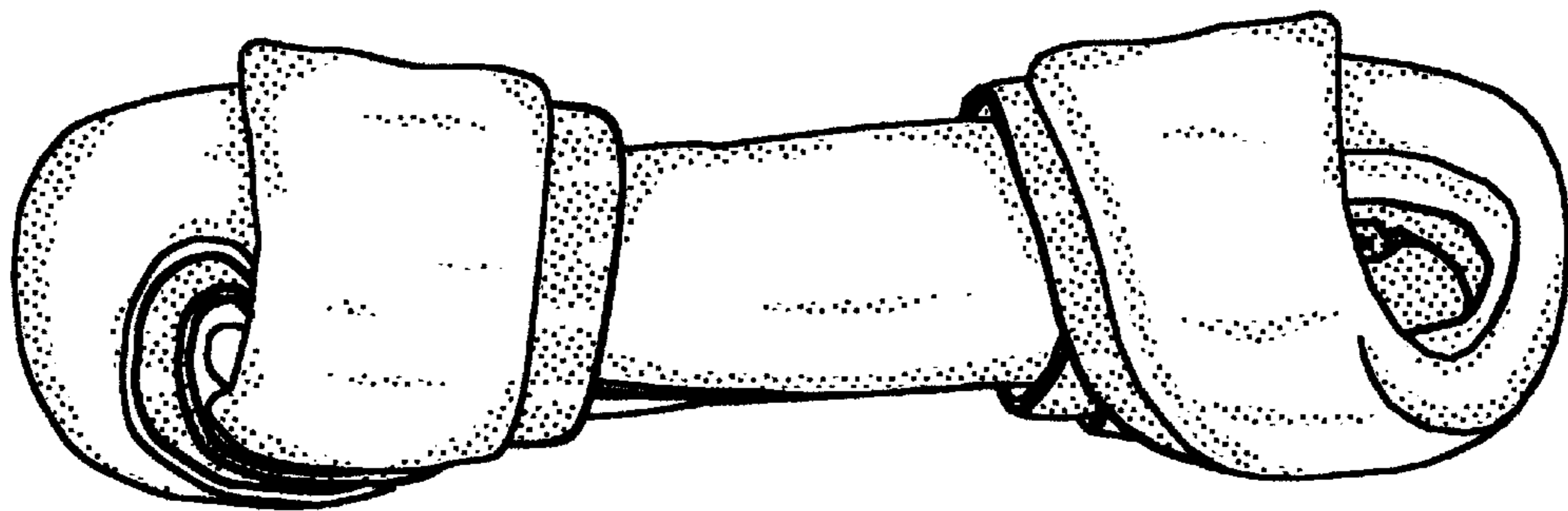


Fig. 2

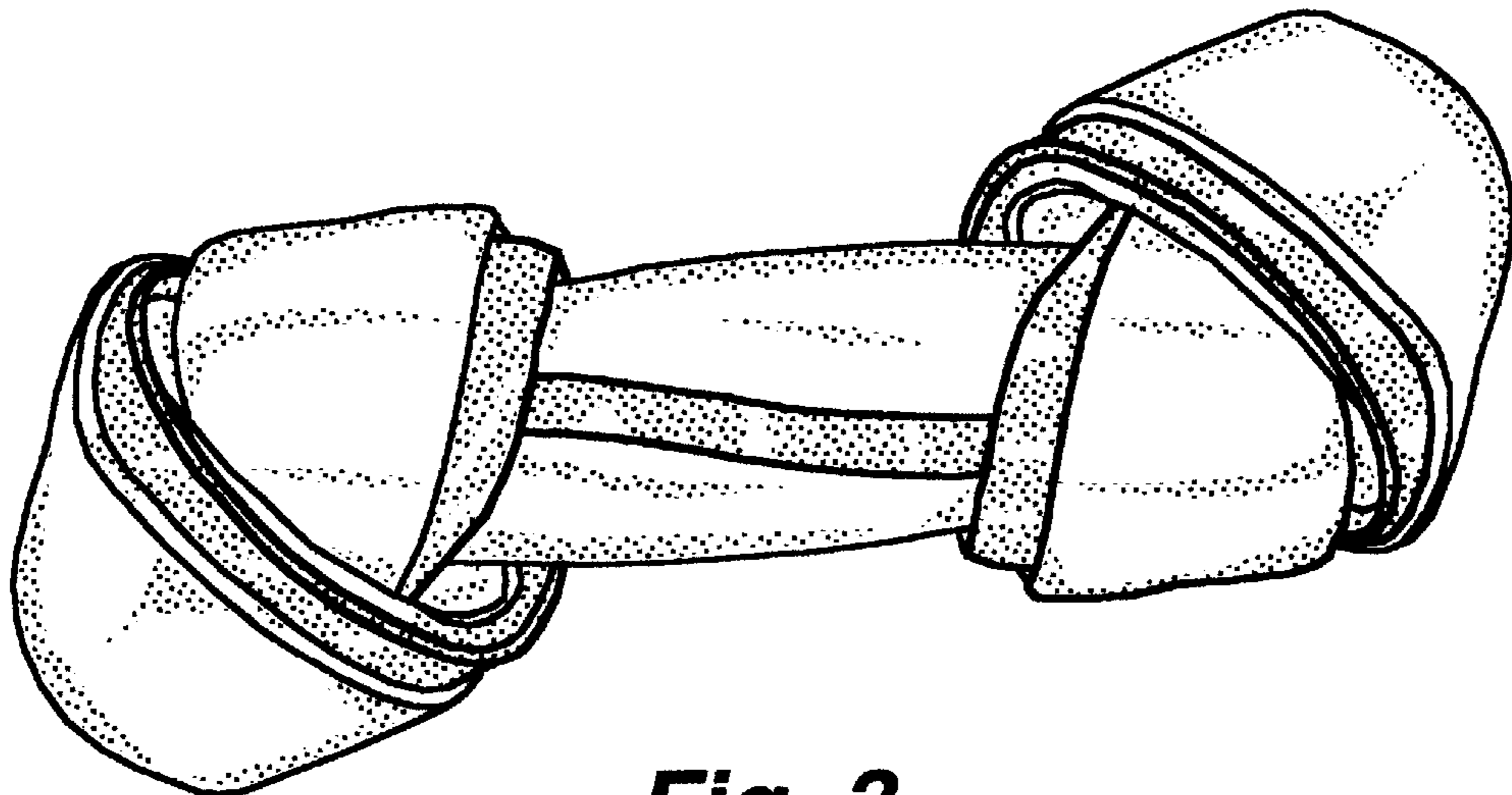


Fig. 3

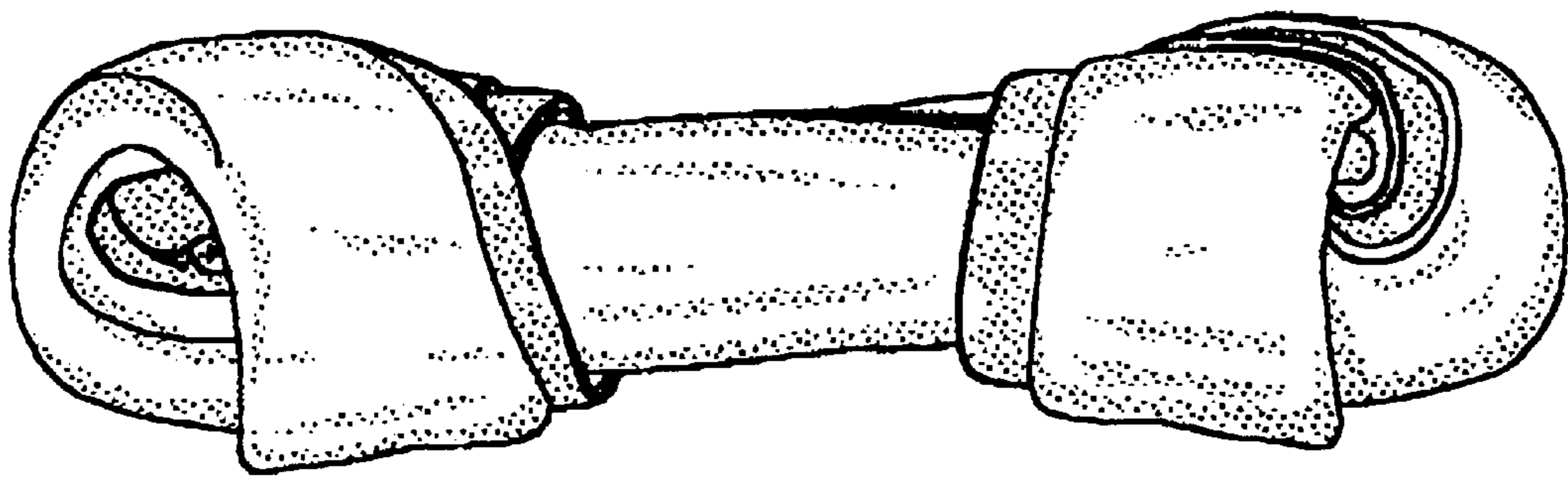


Fig. 4

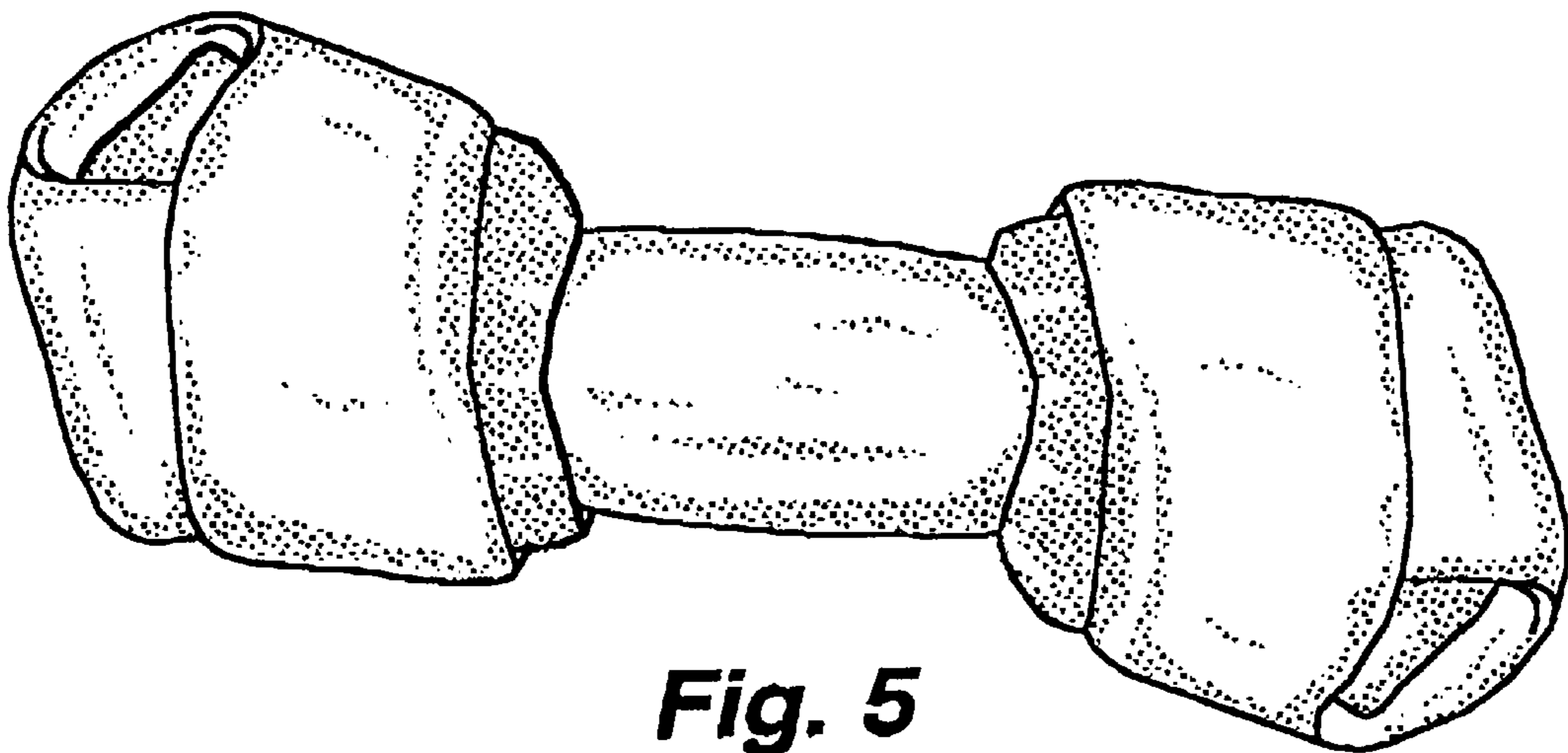


Fig. 5

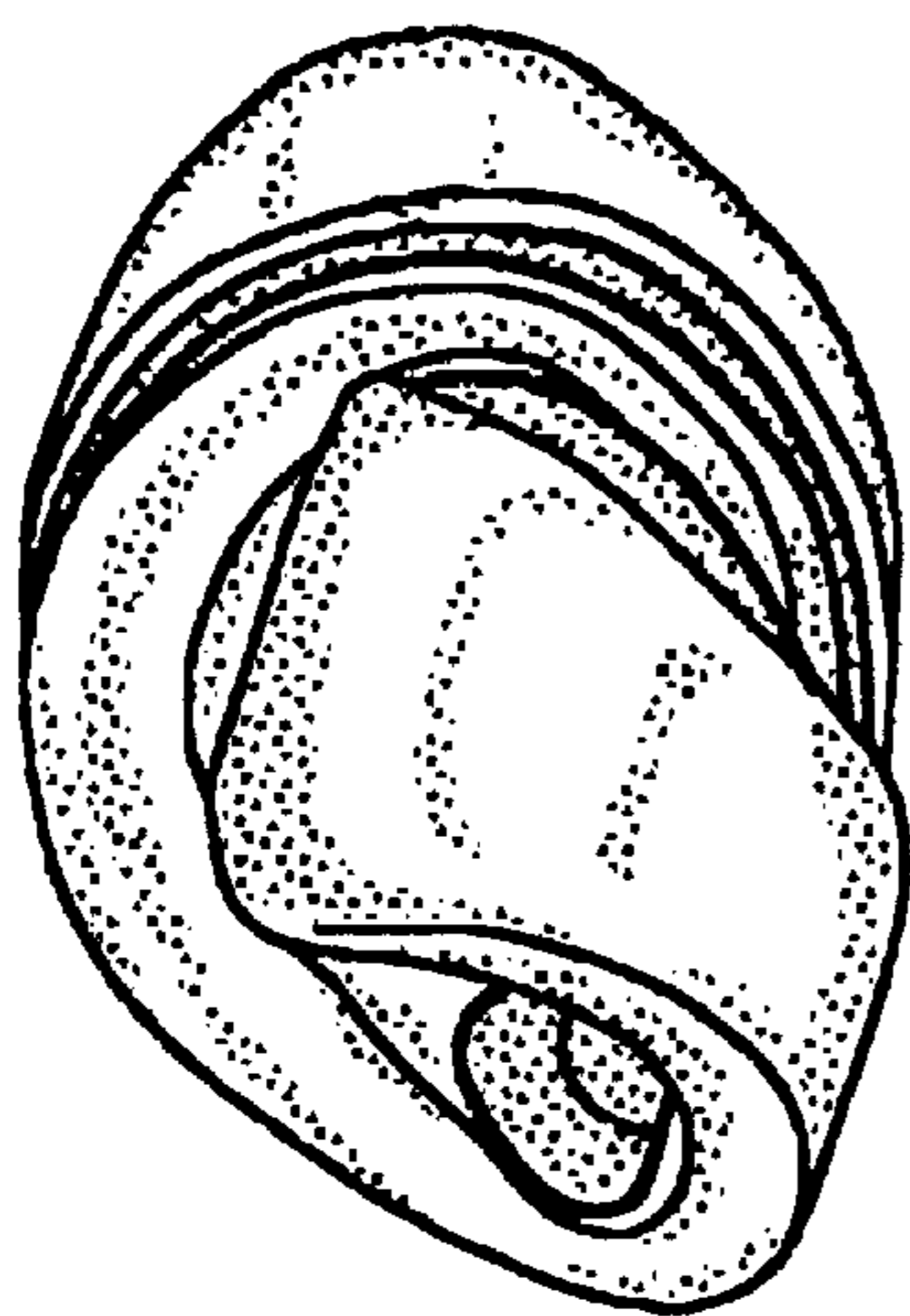


Fig. 6

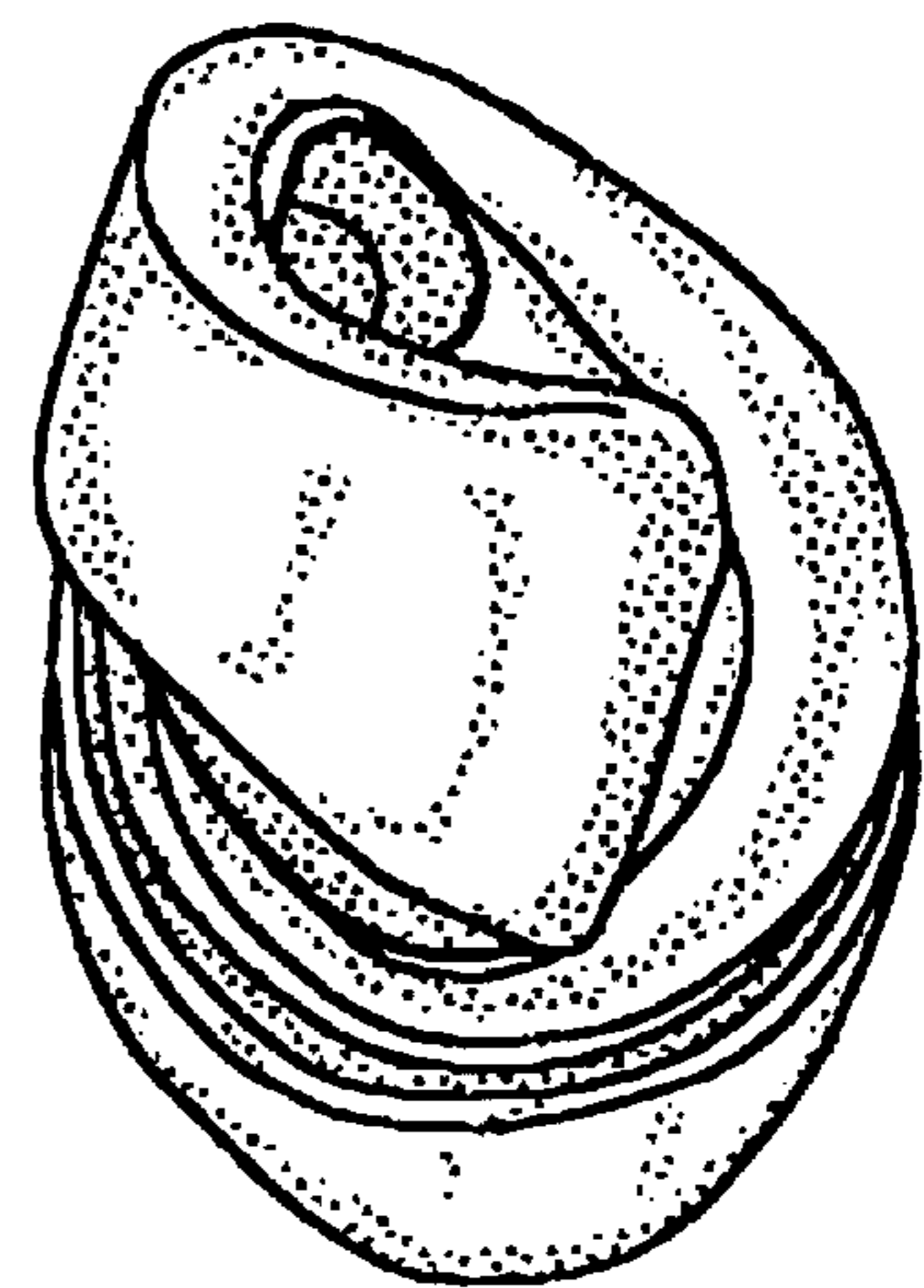


Fig. 7