



US00D479356S

(12) **United States Design Patent**  
**Baarman et al.**

(10) **Patent No.:** **US D479,356 S**  
(45) **Date of Patent:** **\*\* Sep. 2, 2003**

(54) **BOWL LAMP**

(75) Inventors: **David W. Baarman**, Fennville, MI (US); **Stephen J. McPhilliamy**, Chicago, IL (US); **Christopher B. Houghton**, Chicago, IL (US)  
(73) Assignee: **Access Business Group International LLC**, Ada, MI (US)  
(\*\*) Term: **14 Years**

(21) Appl. No.: **29/165,008**  
(22) Filed: **Aug. 2, 2002**

(51) **LOC (7) Cl.** ..... **26-03**  
(52) **U.S. Cl.** ..... **D26/111**  
(58) **Field of Search** ..... D26/51, 55, 58, D26/93, 102, 106-112; D6/399; 362/125, 127, 227, 253, 363

(56) **References Cited**

**U.S. PATENT DOCUMENTS**

D383,242 S \* 9/1997 Reese ..... D26/10

**OTHER PUBLICATIONS**

Puntoluce Catalog, Table-lamp P/628 on p. 7.\*

\* cited by examiner

*Primary Examiner*—Alan P. Douglas

*Assistant Examiner*—Linda Brooks

(74) *Attorney, Agent, or Firm*—Warner Norcross & Judd LLP

(57) **CLAIM**

The ornamental design for a bowl lamp, as shown and described.

**DESCRIPTION**

FIG. 1 is a perspective view of the bowl lamp embodying the new design;

FIG. 2 is a front elevational view thereof;

FIG. 3 is a rear elevational view thereof;

FIG. 4 is a right side elevational view thereof;

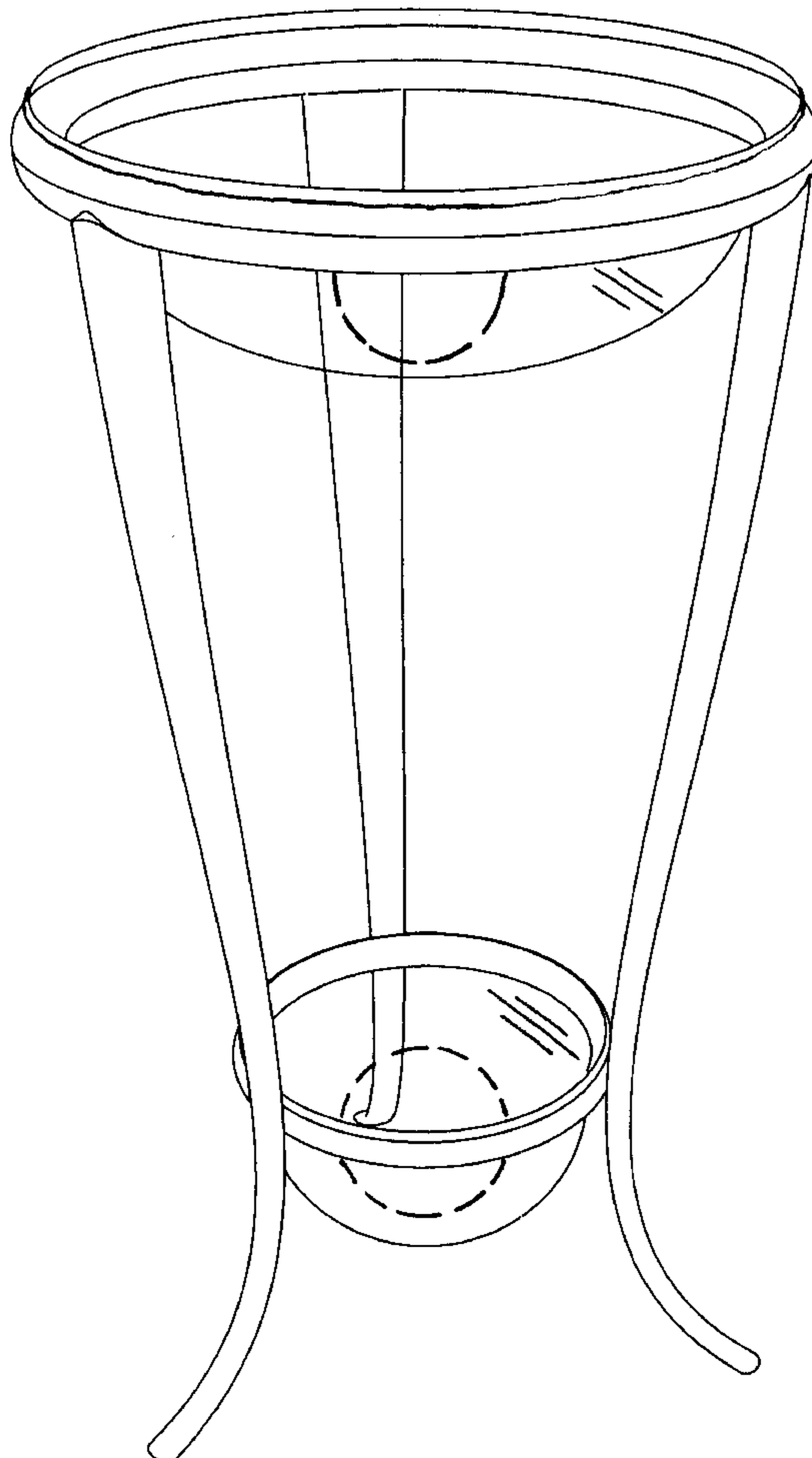
FIG. 5 is a left side elevational view thereof;

FIG. 6 is a top plan view thereof; and,

FIG. 7 is a bottom plan view thereof.

The inductive bulbs shown in broken lines form no part of the claimed design.

**1 Claim, 7 Drawing Sheets**



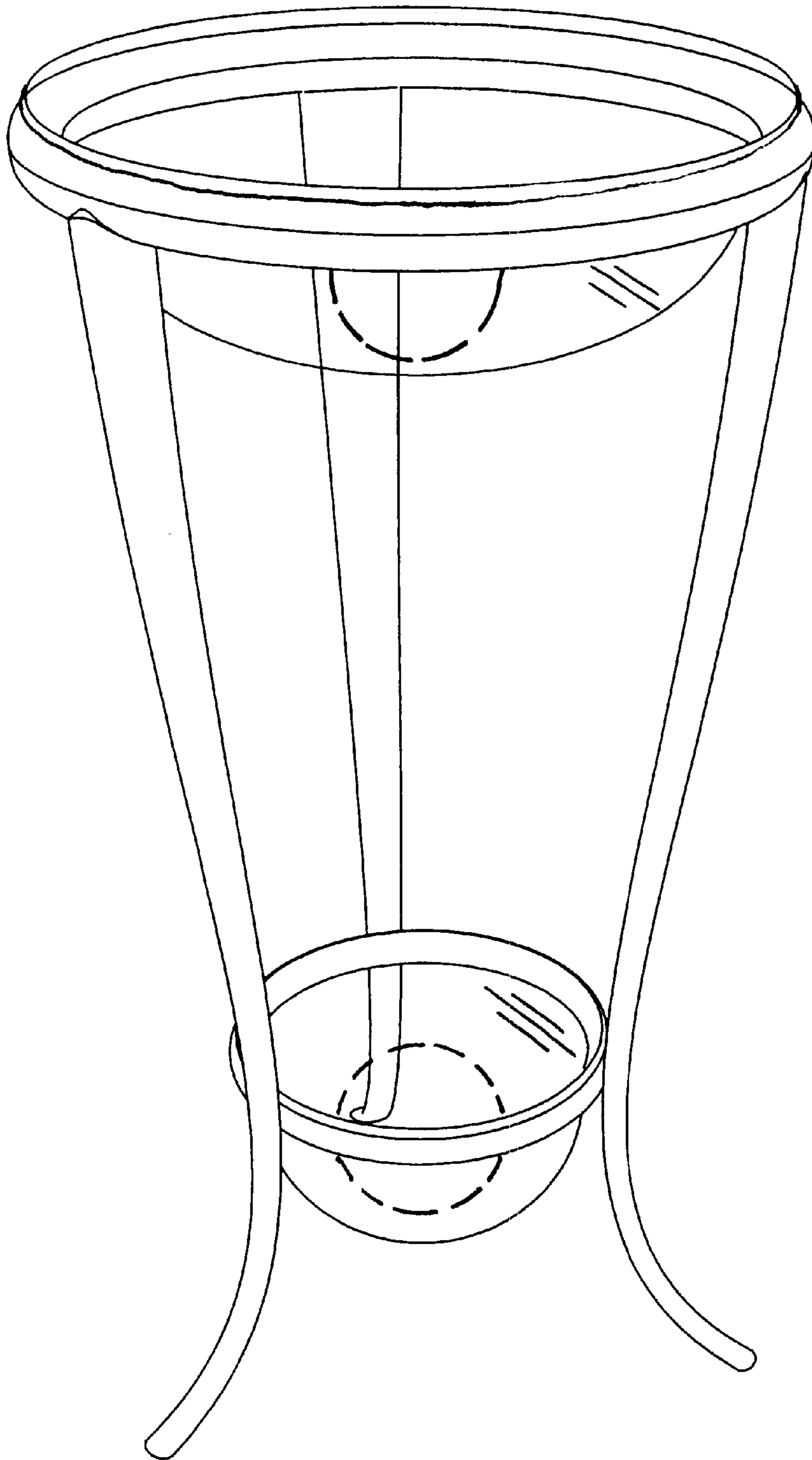


Fig. 1

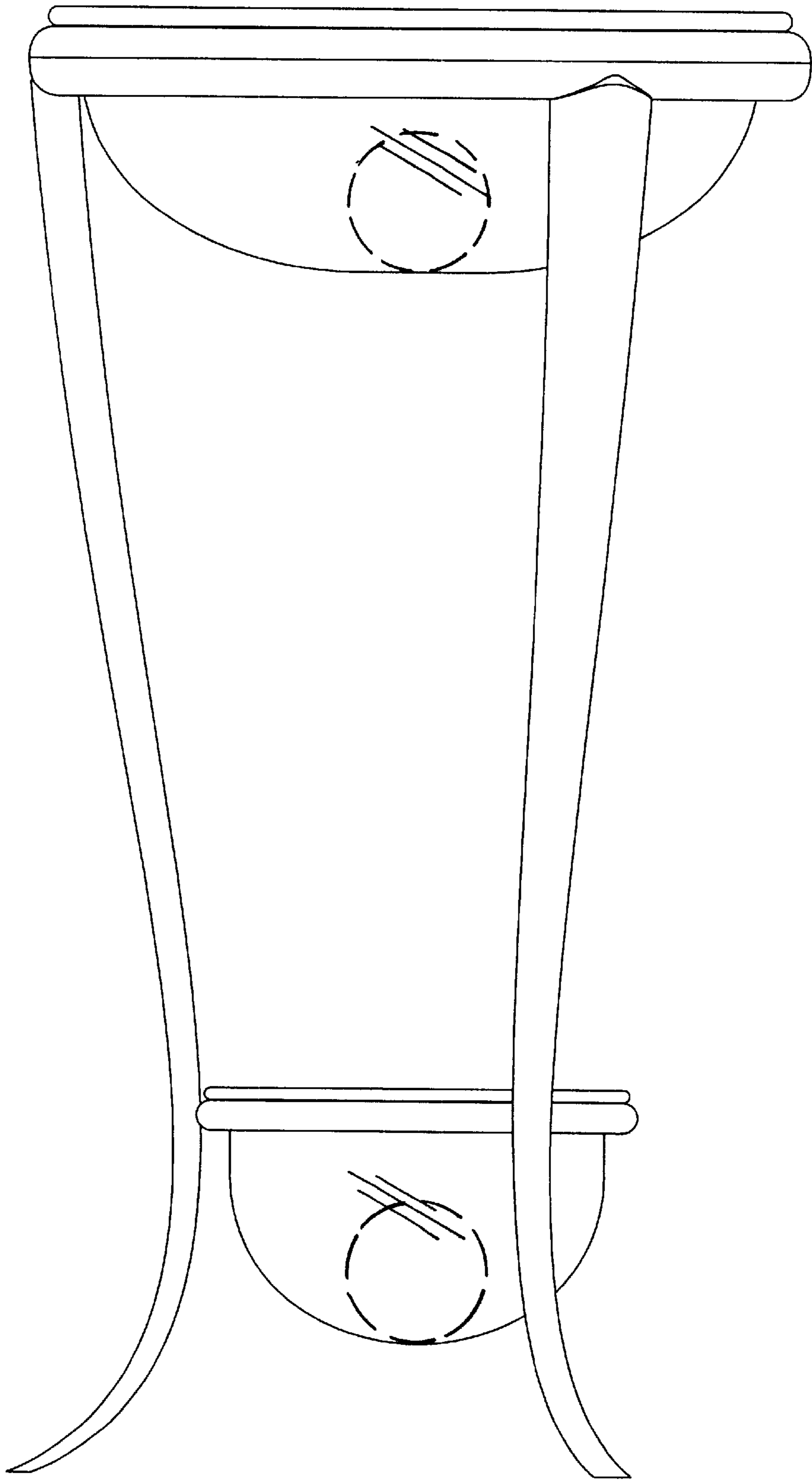


Fig. 2

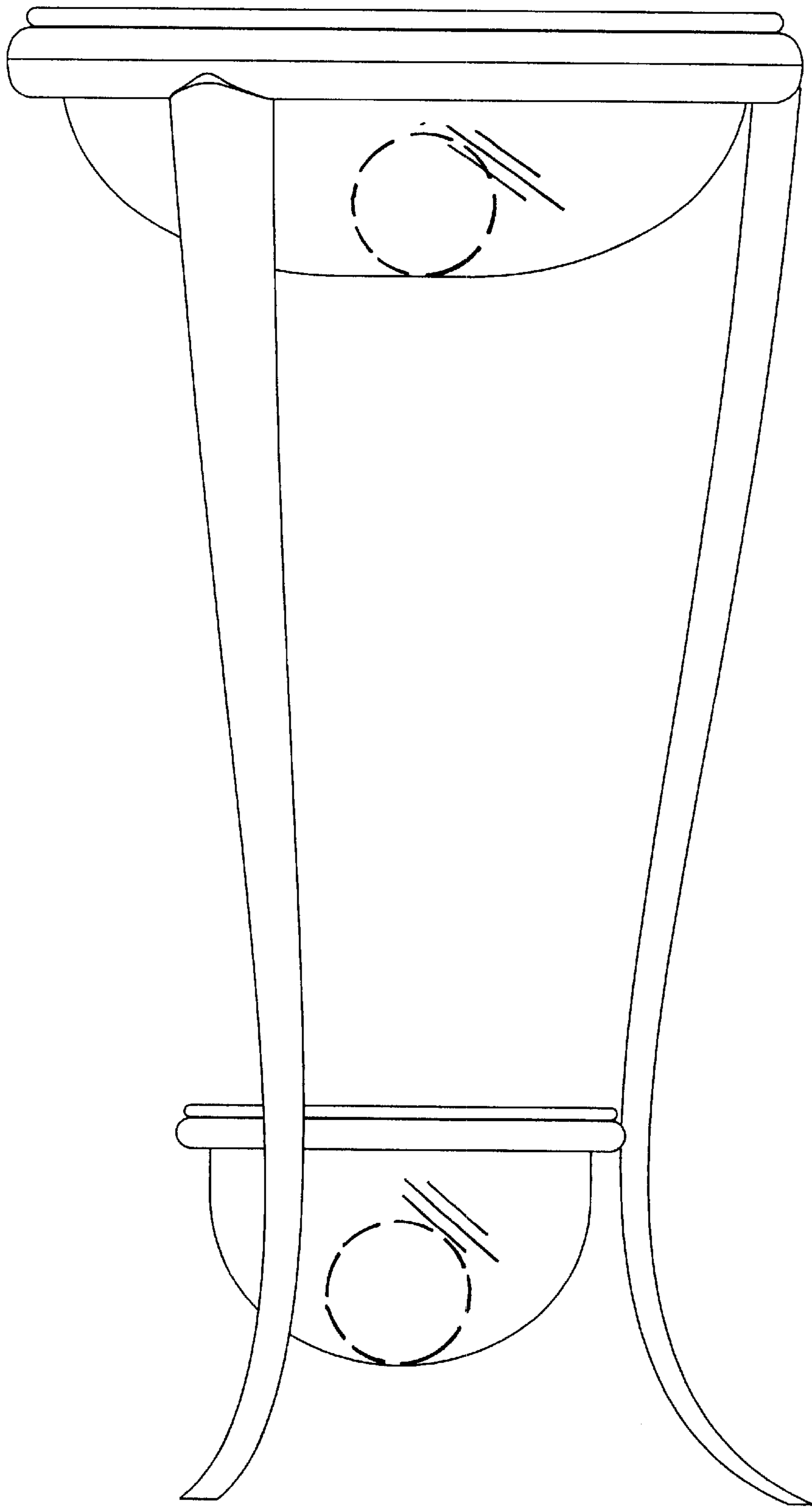


Fig. 3

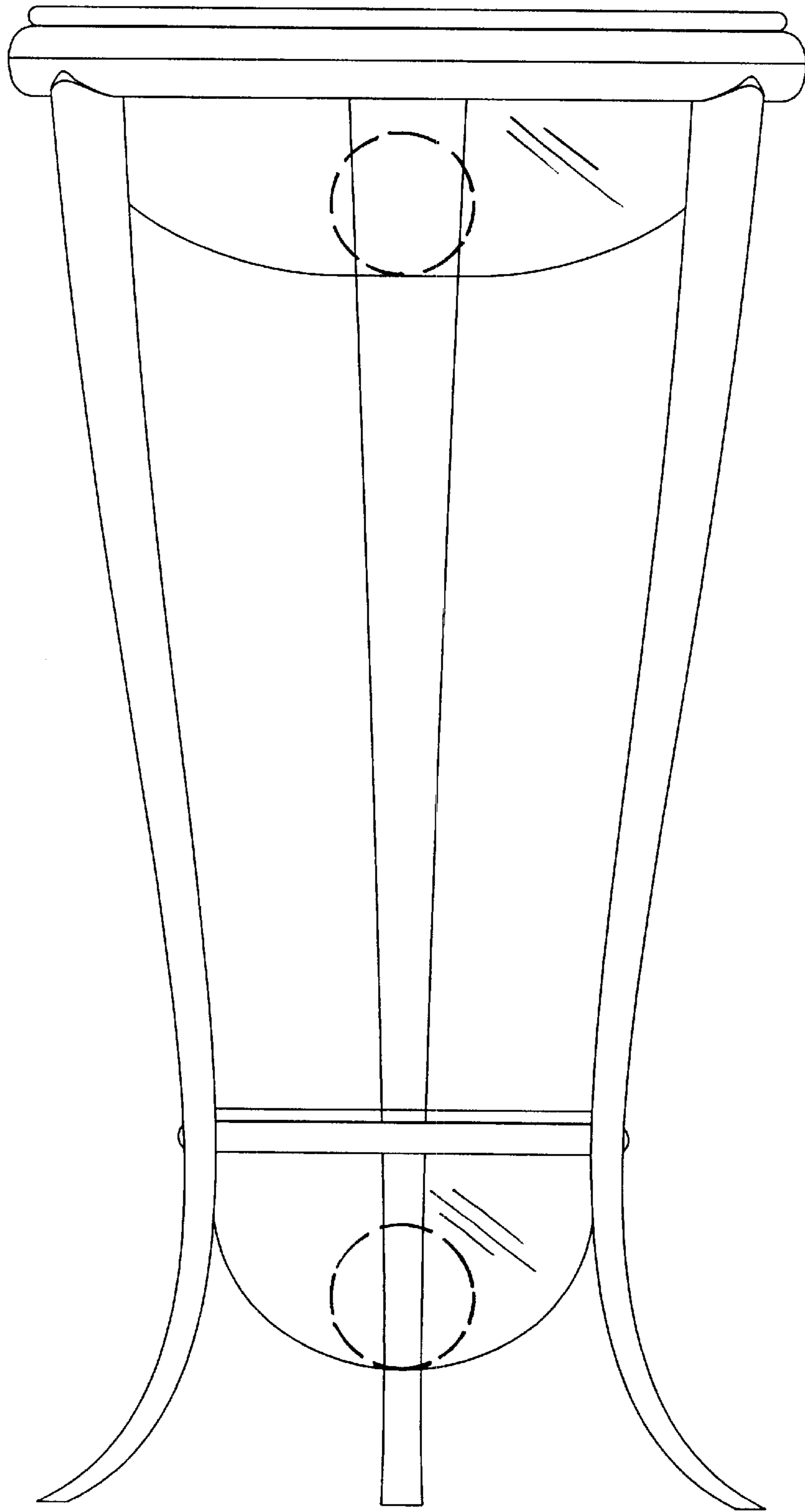


Fig. 4

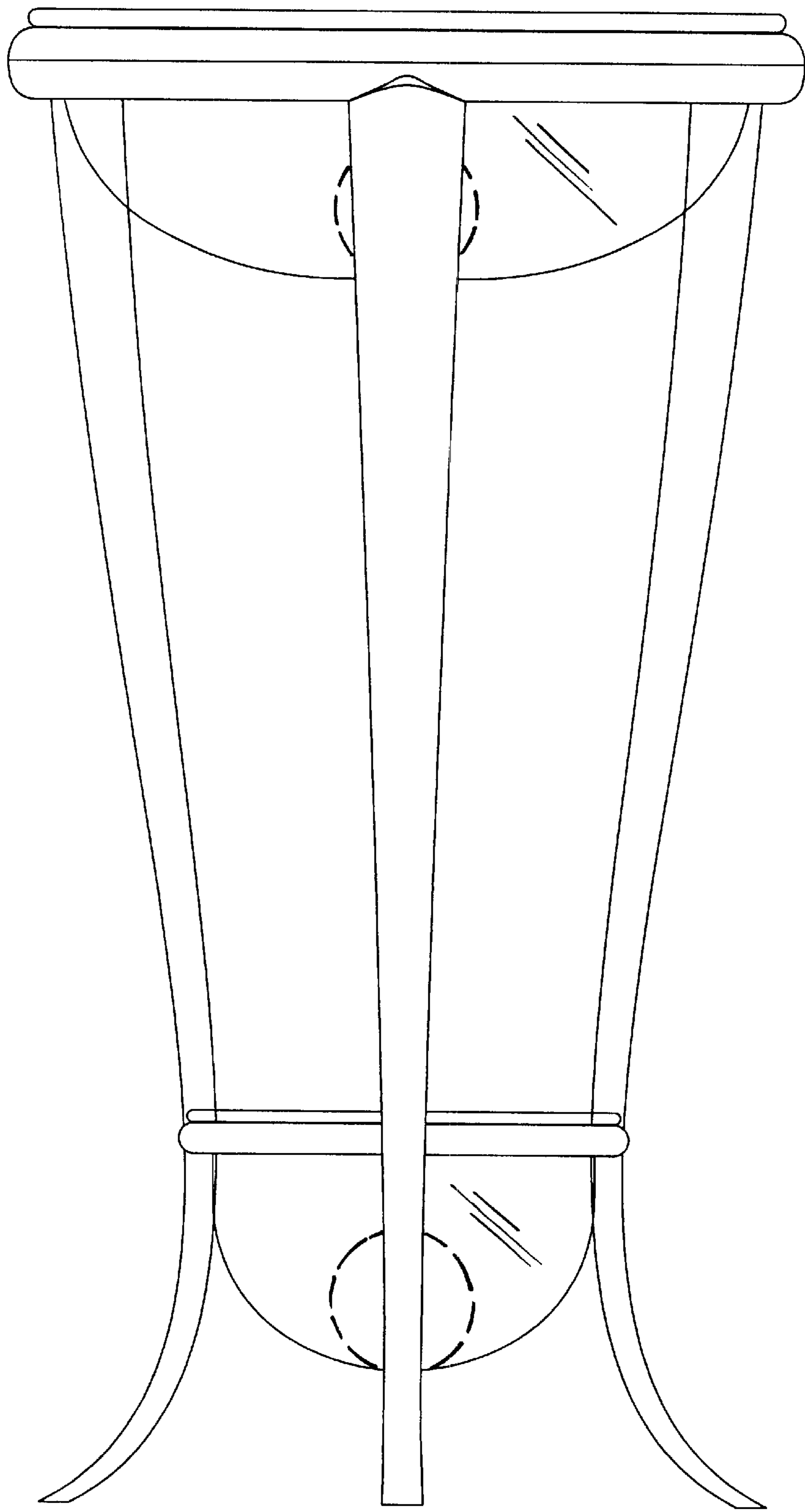


Fig. 5

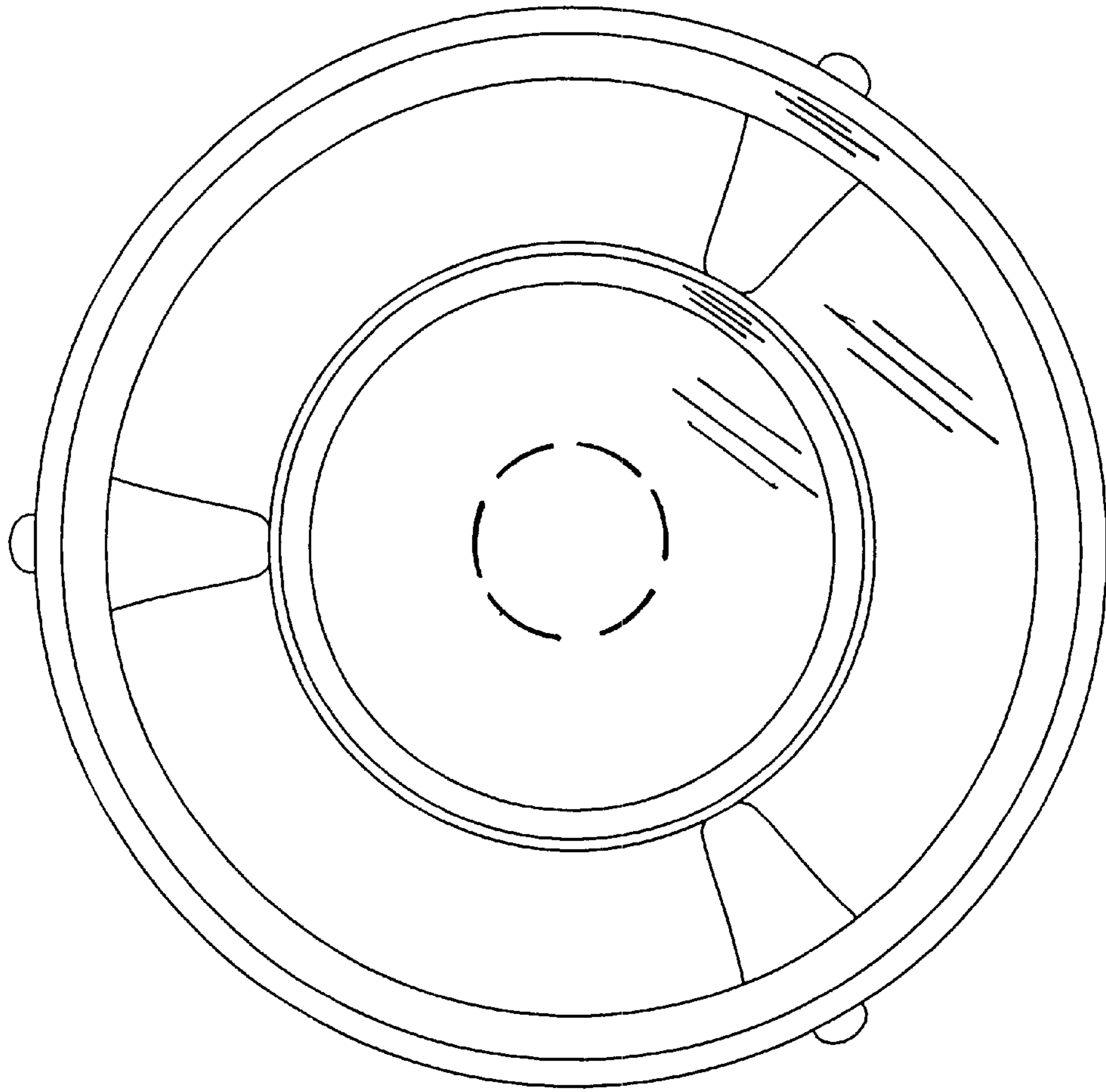


Fig. 6

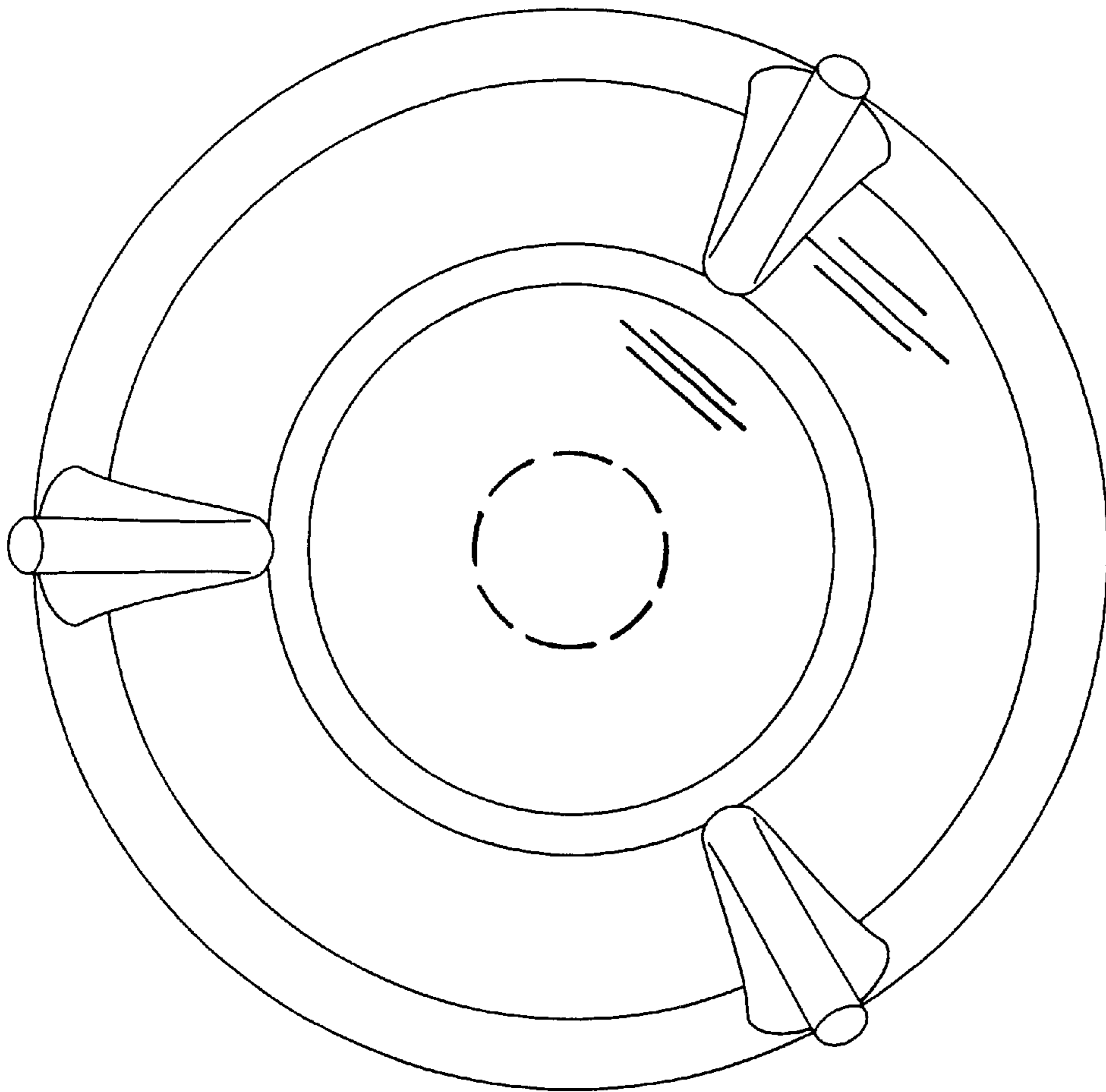


Fig. 7