



US00D479355S

(12) **United States Design Patent**
Dalton et al.

(10) **Patent No.:** **US D479,355 S**

(45) **Date of Patent:** **** Sep. 2, 2003**

(54) **LIGHTING DEVICE**

(75) Inventors: **David R. Dalton**, Turrumurra (AU);
John R. Brown, Mosman (AU);
Timothy J. Rugendyke, Lakemba (AU)

(73) Assignee: **Eveready Battery Company, Inc.**, St. Louis, MO (US)

(**) Term: **14 Years**

(21) Appl. No.: **29/153,563**

(22) Filed: **Jan. 9, 2002**

(30) **Foreign Application Priority Data**

Jul. 10, 2001 (AU) 2138/2001

(51) **LOC (7) Cl.** **26-05**

(52) **U.S. Cl.** **D26/67**

(58) **Field of Search** D26/67-71, 88,
D26/89; 362/153, 153.1, 159, 209, 266,
267, 269, 273, 363, 431, 432, 805

(56) **References Cited**

U.S. PATENT DOCUMENTS

D184,226 S	*	1/1959	Guggemos	D26/68
D205,973 S	*	10/1966	Lawlor	D10/114
4,999,749 A	*	3/1991	Dormand	362/153.1
5,075,833 A	*	12/1991	Dormand	362/376
D377,229 S	*	1/1997	Shalvi	D26/68
D383,867 S	*	9/1997	Shalvi	D26/68
D398,412 S	*	9/1998	Metcheat, III	D26/68
6,386,729 B1	*	5/2002	Bober	362/153.1

OTHER PUBLICATIONS

Silvo Home Catalog, p. 560, item 11761 "Pro 200 Solar Light". Found online in Google Catalog Archives.*

Sharper Image Online Catalog item# LF506 "Vivaldi Stone-Finish Lamppost". Found through Google Image Search, Apr. 14, 2003.*

* cited by examiner

Primary Examiner—Clare E Heflin

(74) *Attorney, Agent, or Firm*—Robert W. Welsh; Stewart A. Fraser

(57) **CLAIM**

We claim the ornamental design for a lighting device, as shown and described.

DESCRIPTION

FIG. 1 is a perspective view from above of the lighting device, according to the present invention;

FIG. 2 is a perspective view from below of the lighting device of the present invention;

FIG. 3 is an elevational view showing the rear of the lighting device of the present invention;

FIG. 4 is an elevational view showing the front of the lighting device of the present invention;

FIG. 5 is an underneath plan view of the lighting device of the present invention; and,

FIG. 6 is a top plan view of the lighting device of the present invention.

1 Claim, 6 Drawing Sheets

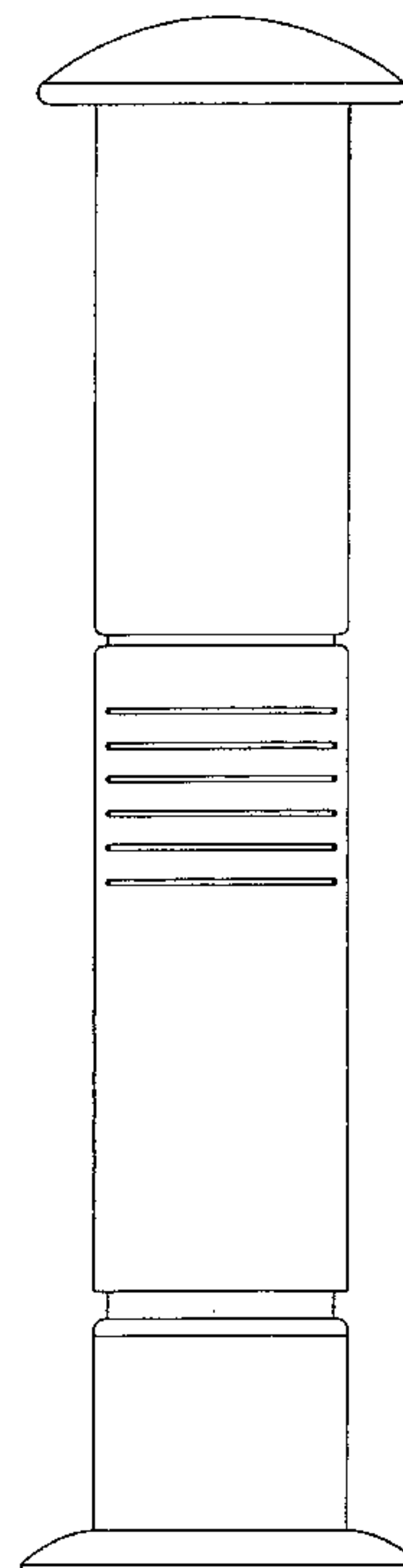
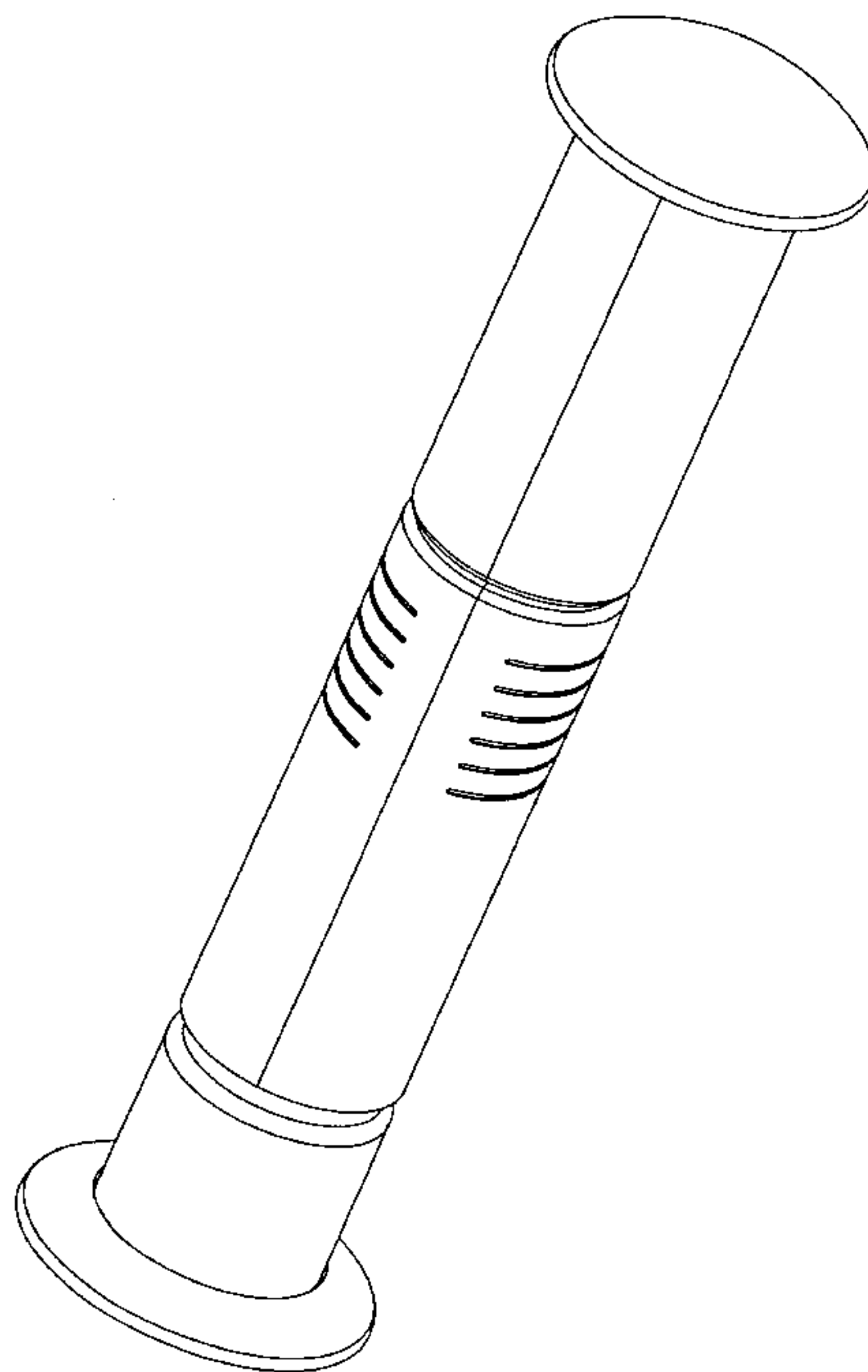


FIGURE 1

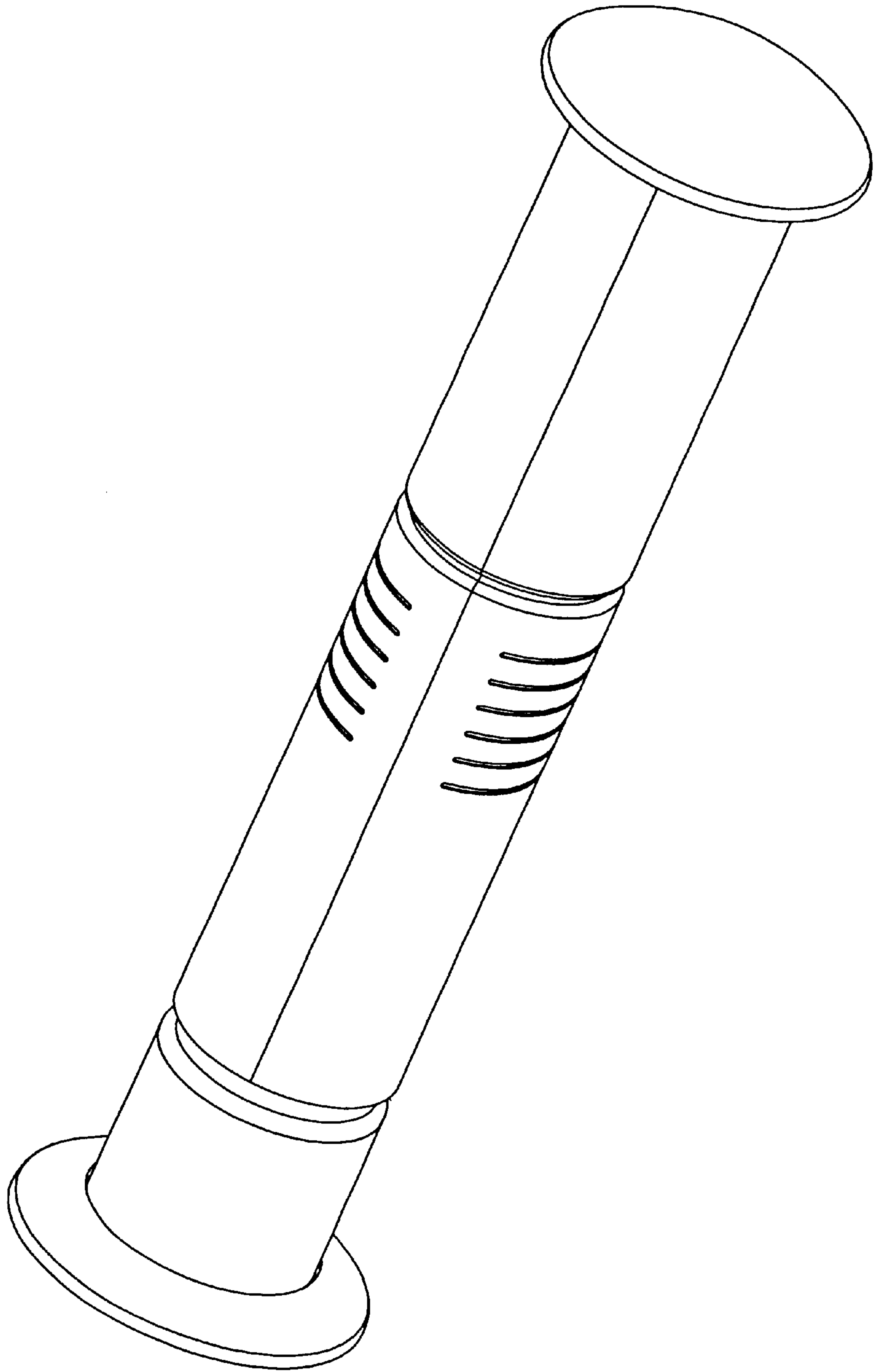


FIGURE 2

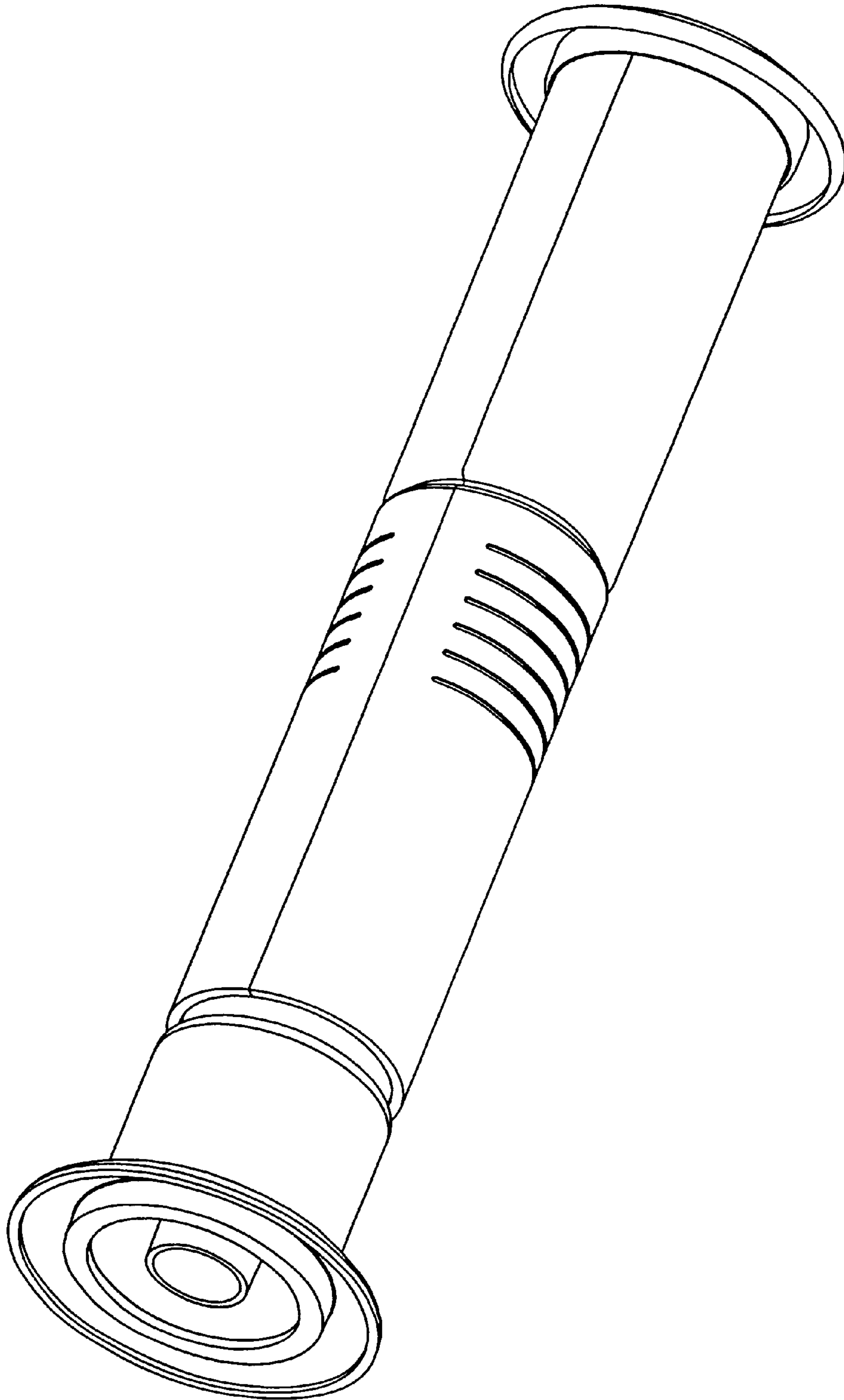


FIGURE 3

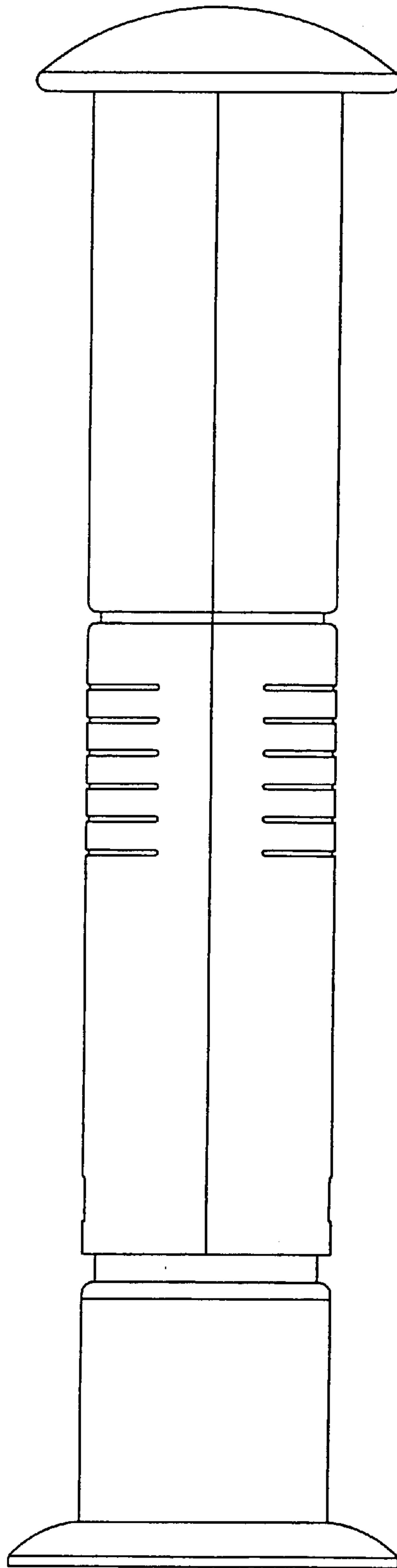


FIGURE 4

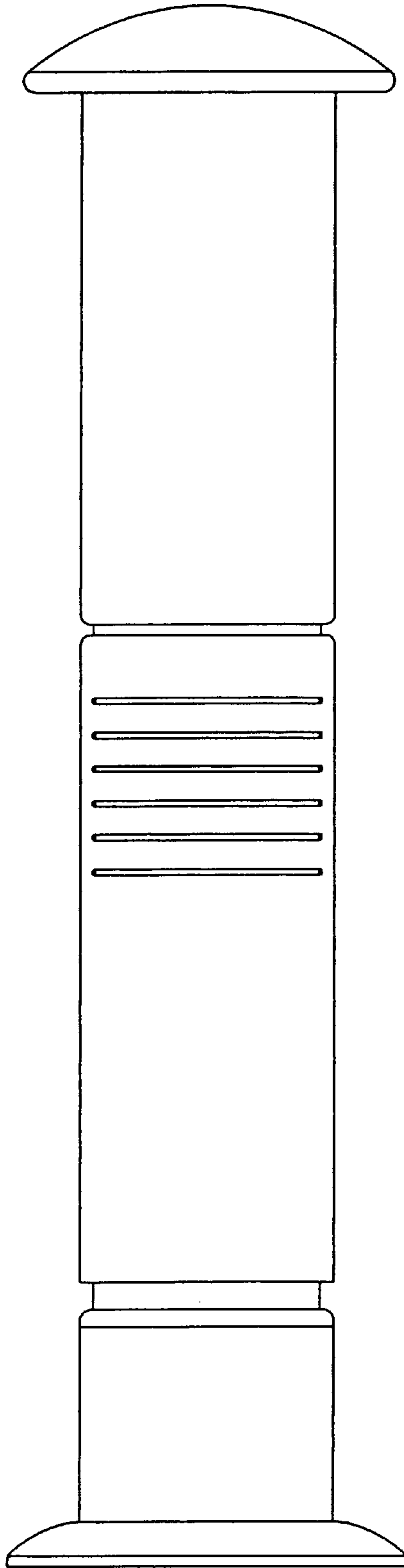


FIGURE 5

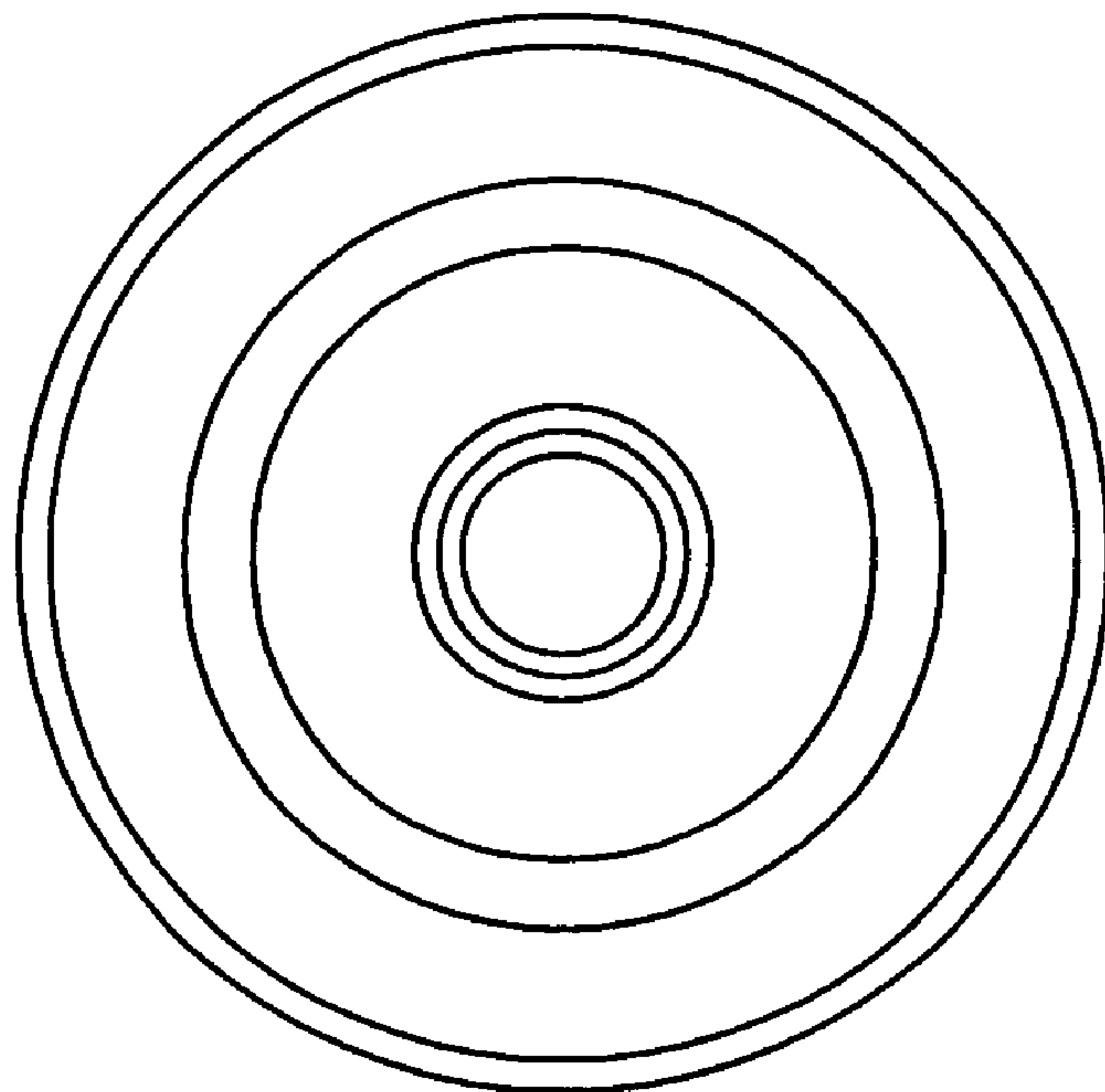


FIGURE 6

