



US00D479354S

(12) **United States Design Patent** (10) **Patent No.:** **US D479,354 S**
Sharrah et al. (45) **Date of Patent:** **** Sep. 2, 2003**

(54) **FLASHLIGHT**

(75) Inventors: **Raymond L. Sharrah**, Collegeville, PA (US); **John C. DiNenna**, Bridgeport, PA (US)

(73) Assignee: **Streamlight, Inc.**, Eagleville, PA (US)

(**) Term: **14 Years**

(21) Appl. No.: **29/169,546**

(22) Filed: **Oct. 22, 2002**

(51) **LOC (7) Cl.** **26-02**

(52) **U.S. Cl.** **D26/49**

(58) **Field of Search** D26/37-50; 362/157, 362/158, 171, 172, 173, 183-208

(56) **References Cited**

U.S. PATENT DOCUMENTS

4,399,495 A	8/1983	Leopoldi et al.	
4,777,582 A	10/1988	Sharrah	
D306,492 S	3/1990	Sharrah	
D306,910 S	3/1990	Kung	
D307,488 S	4/1990	Sharrah	
D308,109 S	5/1990	Maglica et al.	
D310,425 S	9/1990	Sharrah	
D312,509 S	11/1990	Sharrah	
D324,580 S	3/1992	Young	
D325,100 S	3/1992	Usami	
D348,112 S	6/1994	Maglica	
D353,216 S	12/1994	Sharrah et al.	
D370,543 S	* 6/1996	Huen	D26/49
D403,447 S	12/1998	Parsons	
D429,014 S	8/2000	Stephens	
D442,308 S	* 5/2001	Chiu	D26/49
6,227,677 B1	5/2001	Willis	

OTHER PUBLICATIONS

GALLS, "Product Detail," Galls H.A.L.O. Tactical Flashlight Kit, 1 page.

Wholesale Tools—MTFLAL2—Silver Flashlight Key Chain, http://www.ckbproducts.com/wholesale_tools_mtflal2.htm, Date Printed Nov. 12, 2002, 1 Page.

GOLDSTAR, "Flashlight/Key Ring," Flashlight Stock, http://www.goldstarasi.com/cat_2002_rl/Items/itm_goldstar_flashlightStock.htm, Date Printed Nov. 12, 2002, 1 Page.

CHRISTIAN DOLLAR STORE, "Jesus Loves You" Flashlight Key Chain, <http://www.christiandollarstore.com/flashlightkeychain.html>, Date Printed Nov. 12, 2002, 1 Page.

STREAMLIGHT, INC., Streamlight products, <http://www.streamlight.com/products.html>, 1-Page.

(List continued on next page.)

Primary Examiner—Marcus A. Jackson

(74) *Attorney, Agent, or Firm*—Dann, Dorfman, Herrell & Skillman, P.C.

(57) **CLAIM**

The ornamental design for a flashlight, as shown and described.

DESCRIPTION

FIG. 1 is a side view of an embodiment of a flashlight design according to the present invention;

FIG. 2 is a side view of the embodiment of a flashlight design according to the present invention of FIG. 1;

FIG. 3 is a side view of the embodiment of a flashlight design according to the present invention of FIGS. 1 and 2; FIGS. 4 and 5 are end views of respective first and second ends of the embodiment of a flashlight design of FIGS. 1, 2 and 3;

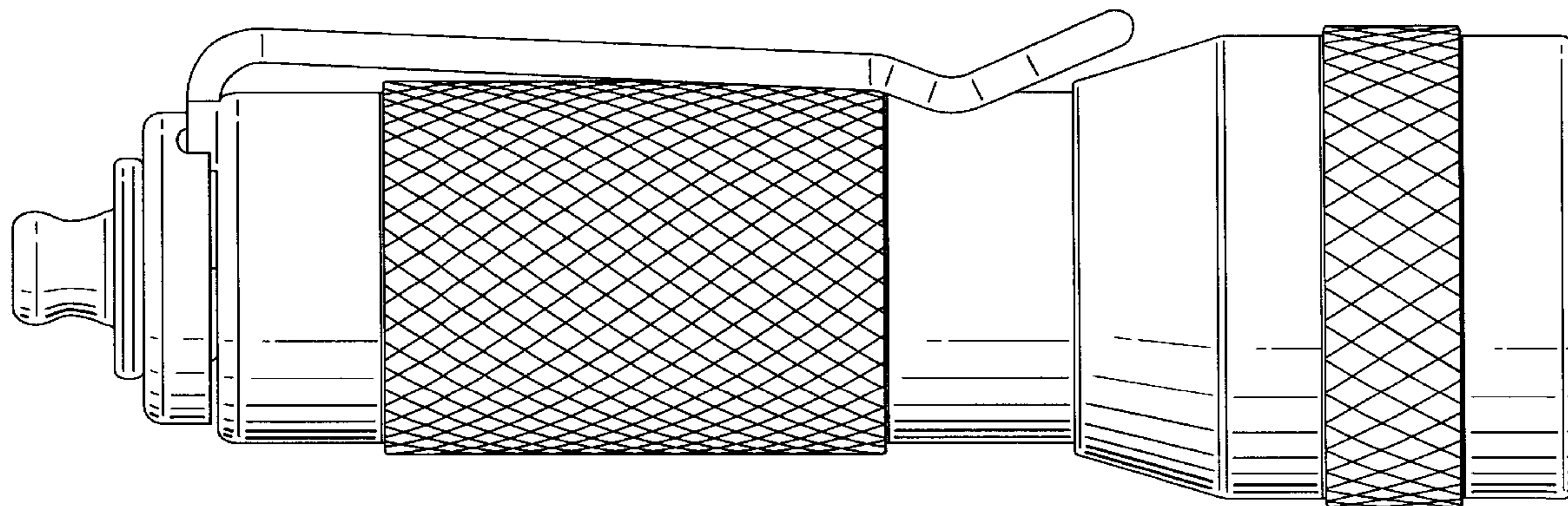
FIG. 6 is a side view of an embodiment of a flashlight design according to the present invention having a side view as shown in FIG. 3;

FIG. 7 is a side view of the embodiment of a flashlight design according to the present invention of FIGS. 3 and 6; and,

FIGS. 8 and 9 are end views of respective first and second ends of the embodiment of a flashlight design of FIGS. 3, 6 and 7.

Broken lines in the illustrations of FIGS. 1-9 of the drawing indicates parts of the article that are not part of the design sought to be patented.

1 Claim, 7 Drawing Sheets



OTHER PUBLICATIONS

STREAMLIGHT, INC., Stinger Series Specifications, http://www.streamlight.com/stinger-series_specification-s.html, 3–Pages.

STREAMLIGHT, INC., SL Series Specifications, http://www.streamlight.com/sl-series_specifications.html, 2–Pages.

STREAMLIGHT, INC., Scorpion Specifications, http://www.streamlight.com/scorpion_specifications.html, 1–Page.

STREAMLIGHT, INC., Streamlight Jr. Specifications, http://www.streamlight.com/sl_junior_specifications.html, 1–Page.

* cited by examiner

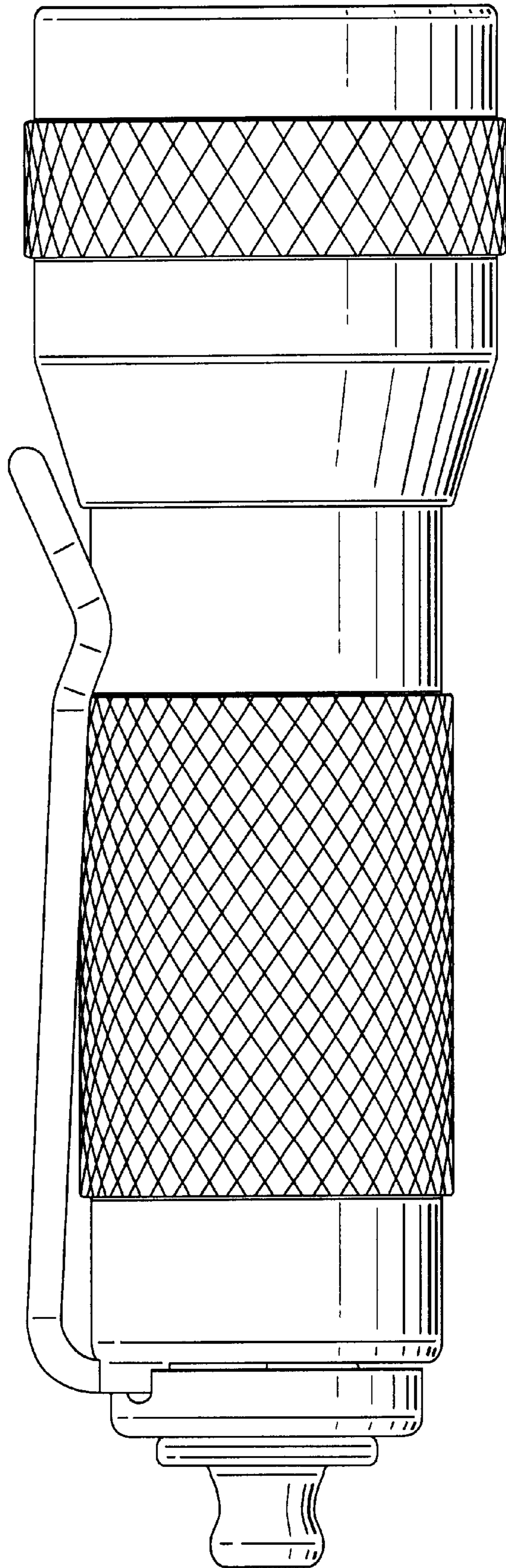


FIG. 1

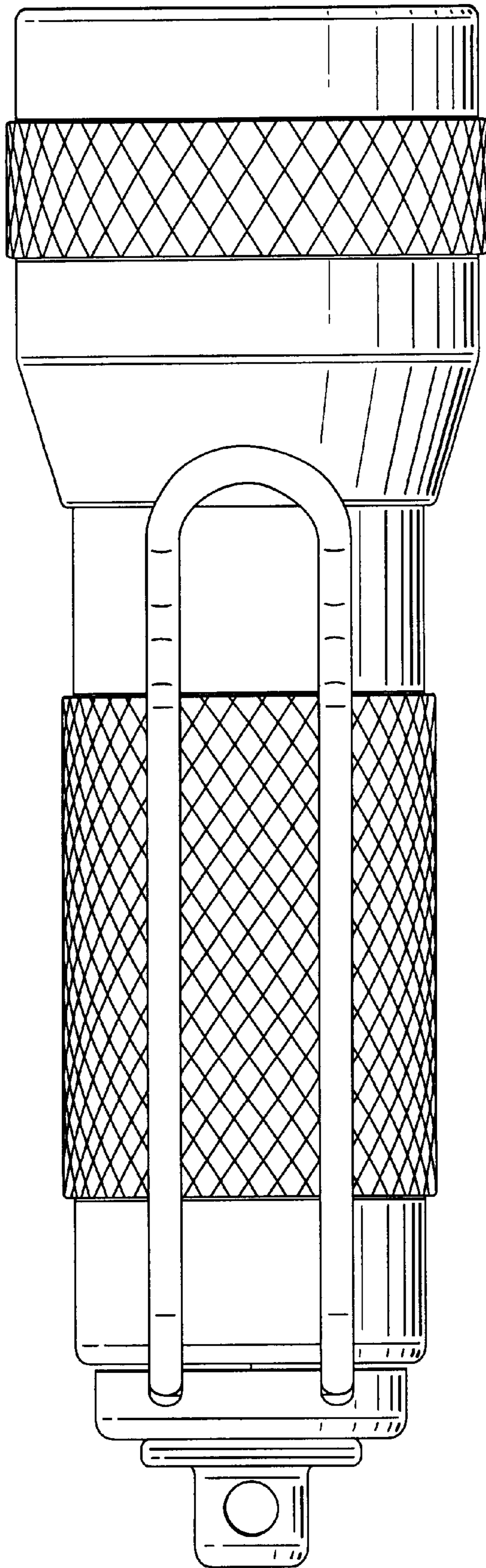


FIG. 2

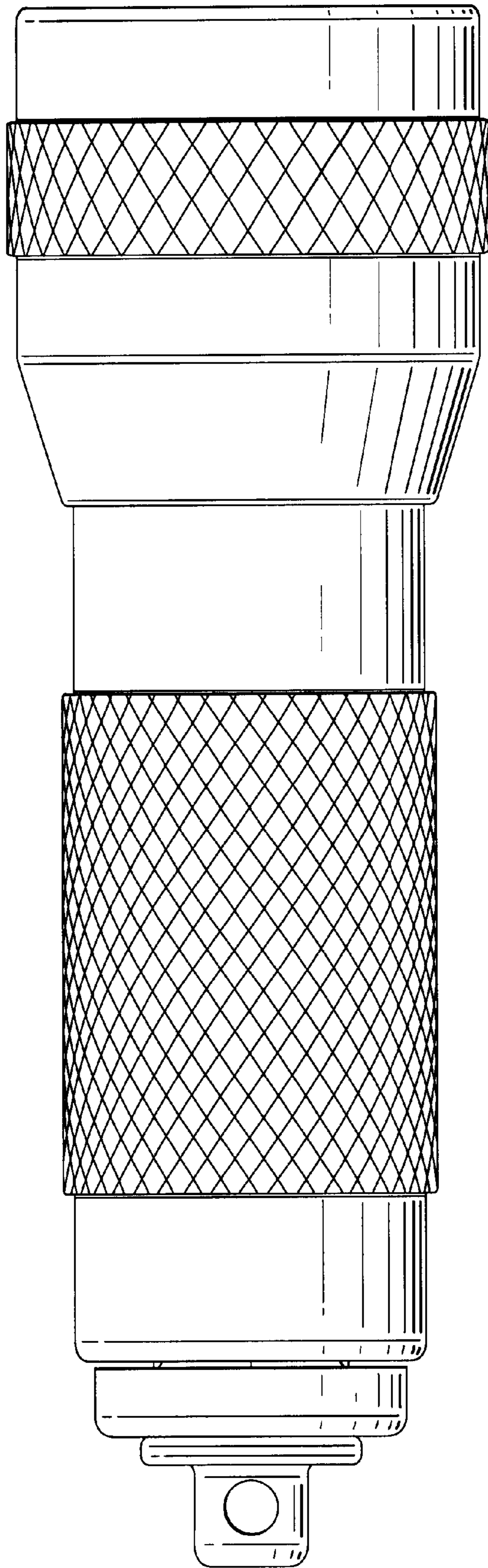


FIG. 3

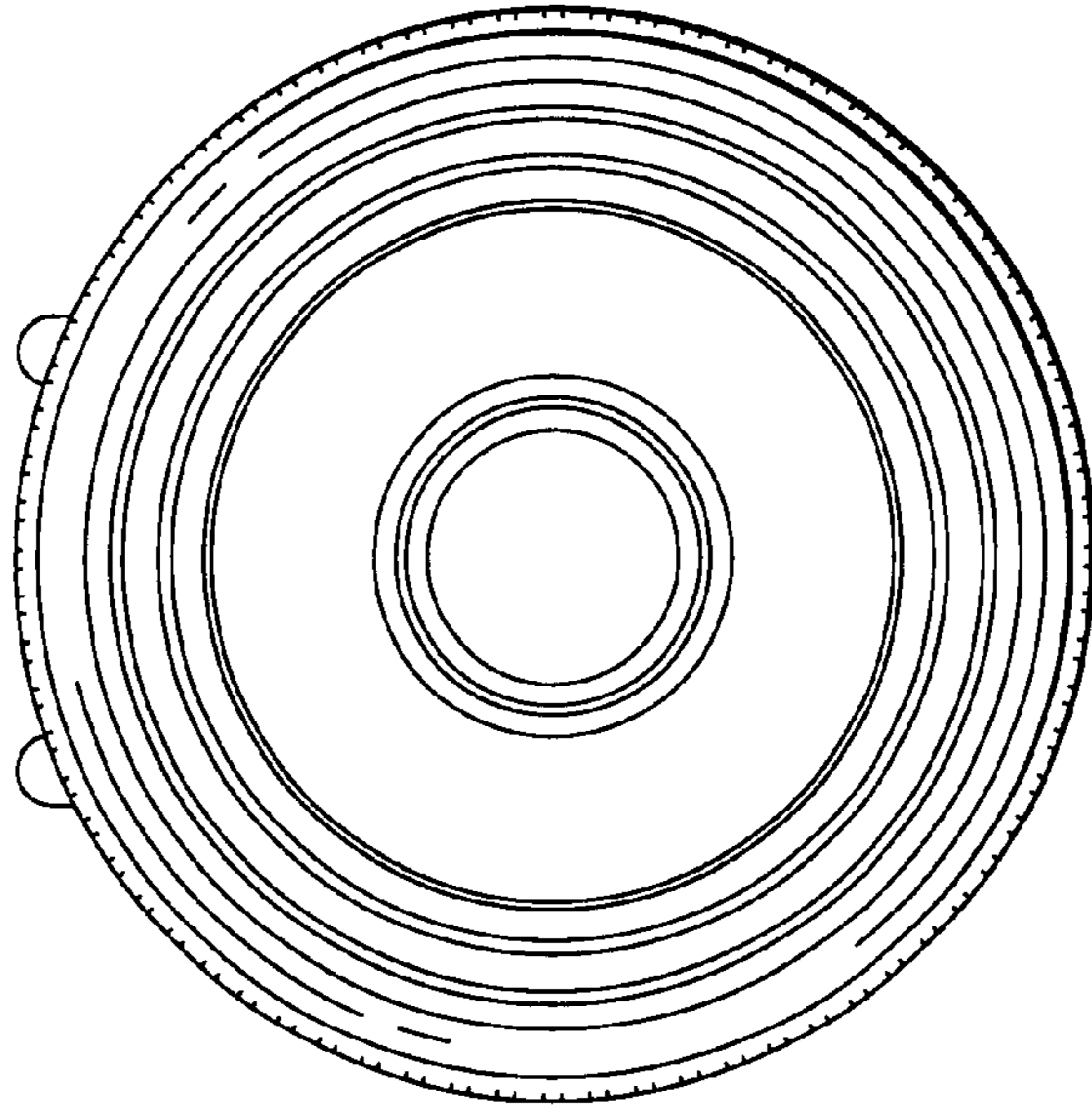


FIG. 5

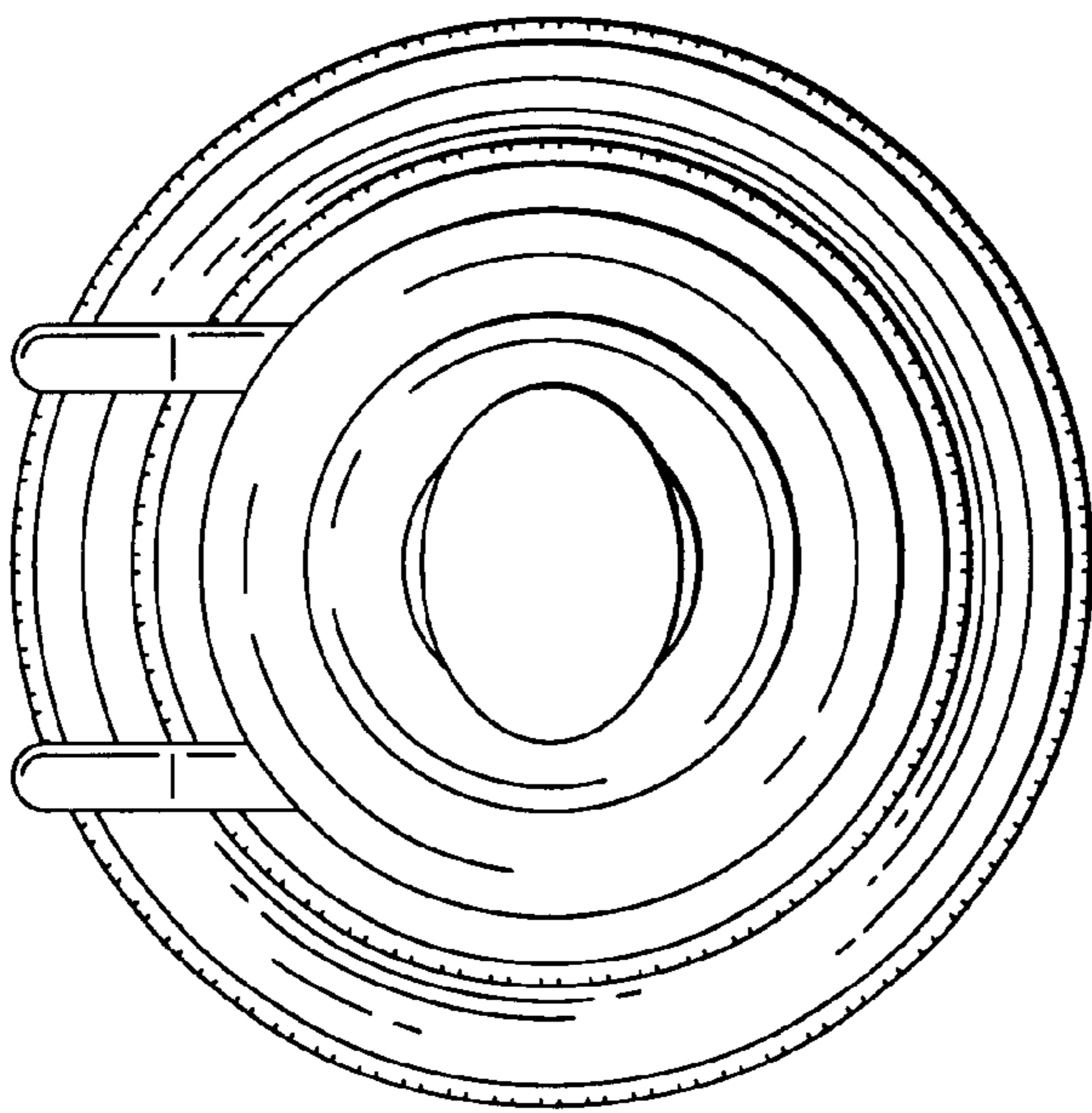


FIG. 4

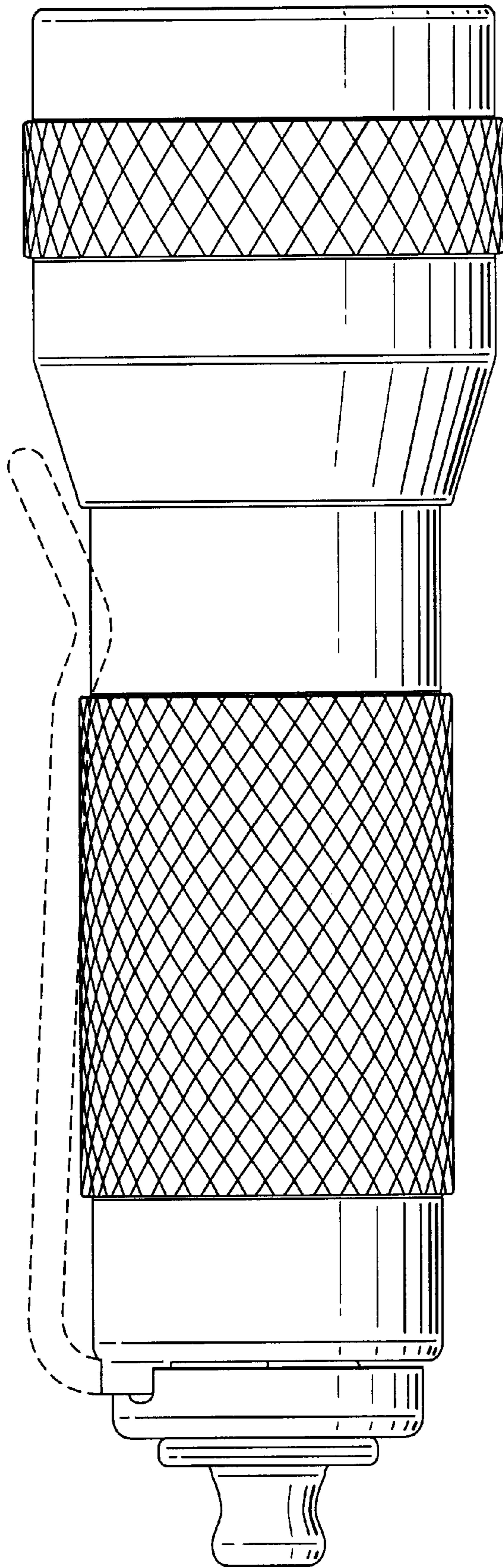


FIG. 6

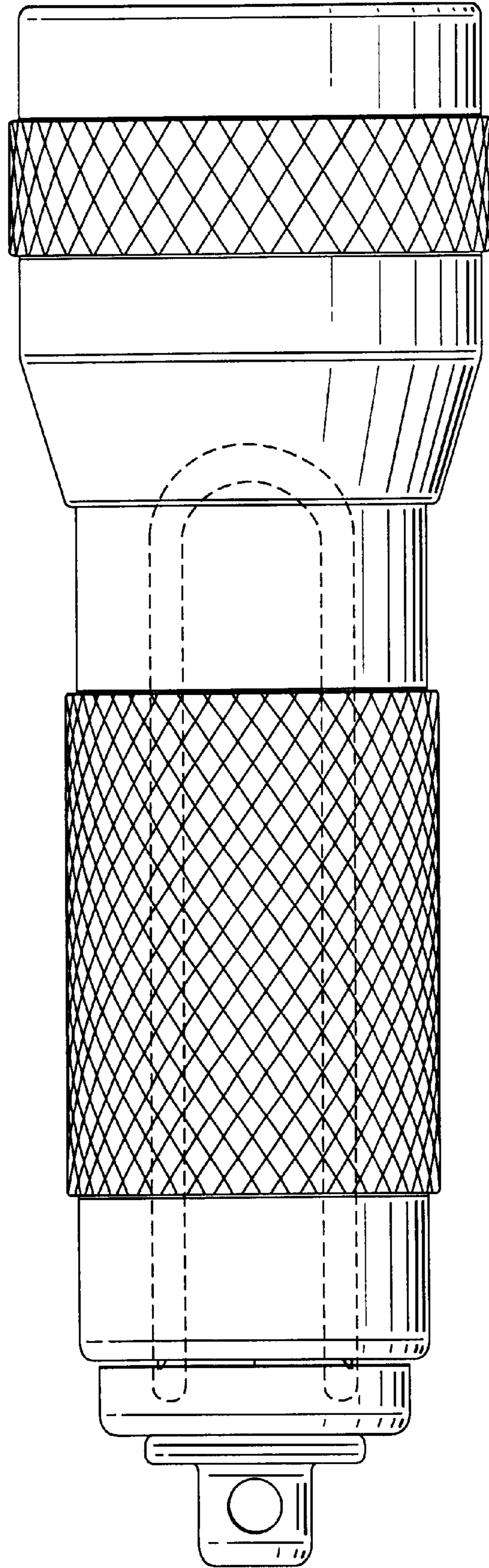


FIG. 7

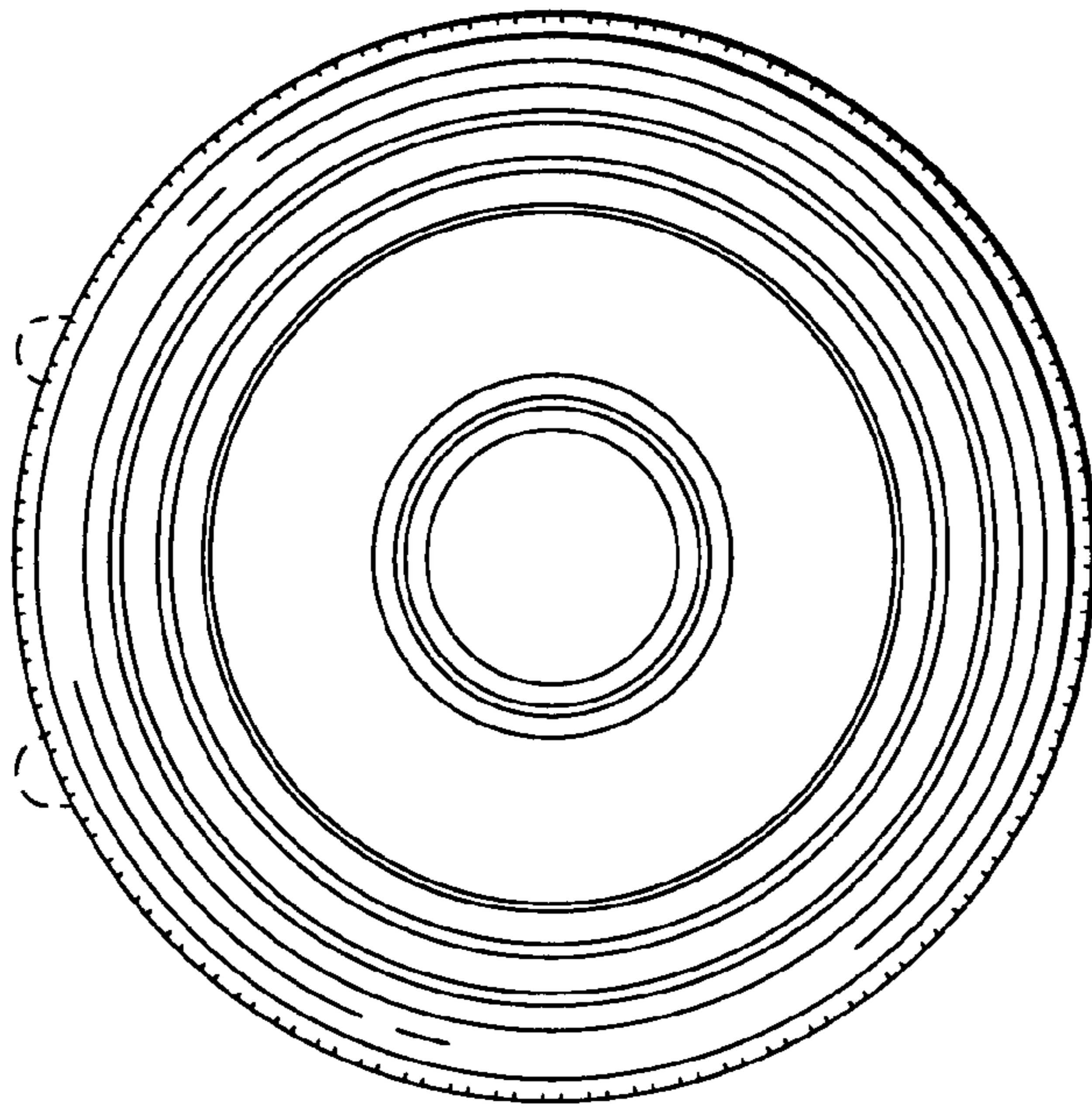


FIG. 9

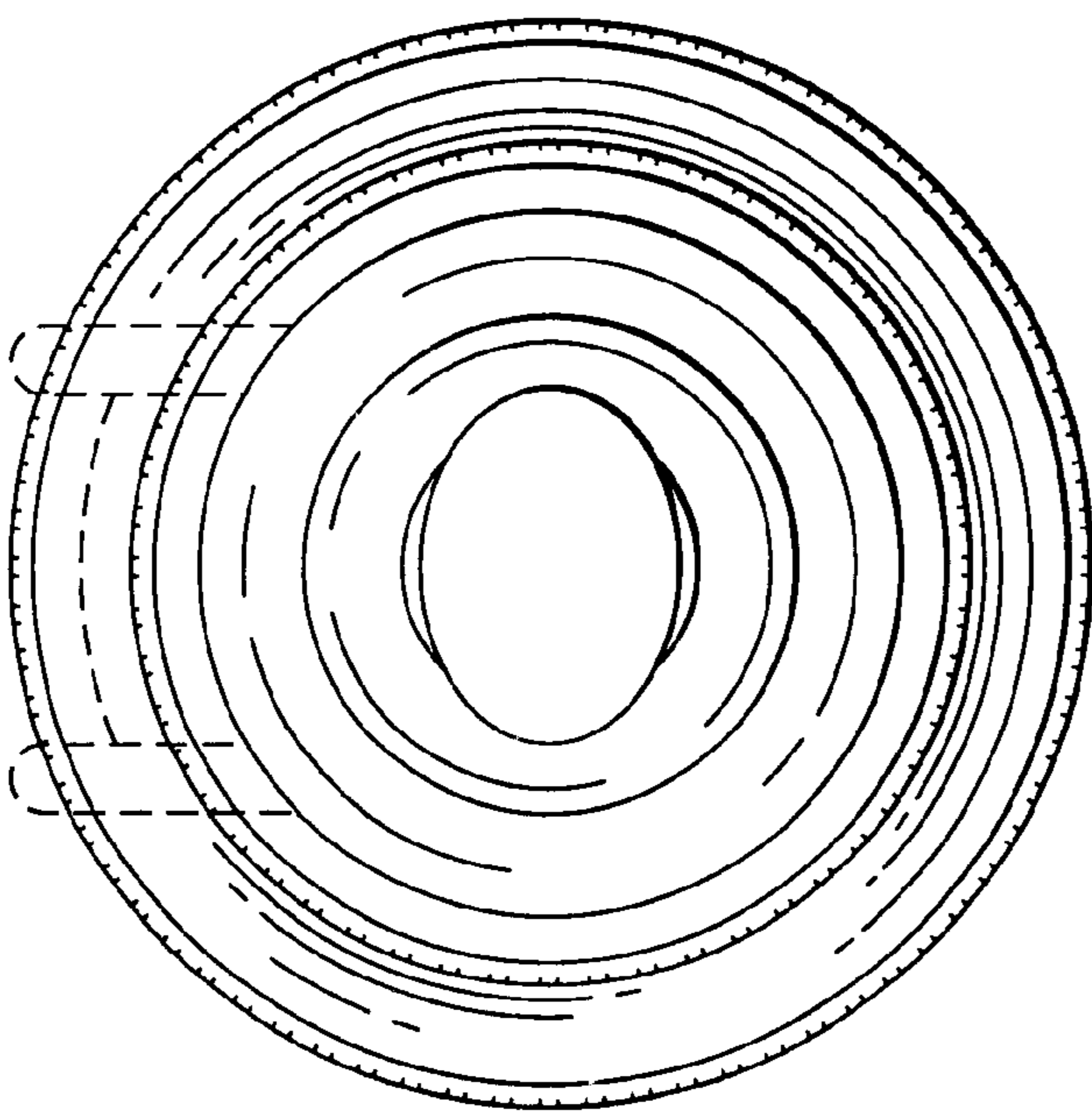


FIG. 8