



US00D479353S

(12) **United States Design Patent**
Solfeldt

(10) **Patent No.:** **US D479,353 S**

(45) **Date of Patent:** **** Sep. 2, 2003**

(54) **LIGHTING FIXTURE**

(75) Inventor: **Henning Solfeldt**, Copenhagen (DK)

(73) Assignee: **Louis Poulsen Lighting A/S**,
Copenhagen (DK)

(**) Term: **14 Years**

(21) Appl. No.: **29/162,752**

(22) Filed: **Jun. 20, 2002**

(51) **LOC (7) Cl.** **26-02**

(52) **U.S. Cl.** **D26/49**

(58) **Field of Search** D26/37-50; 362/157,
362/158, 171, 172, 173, 183-208

(56) **References Cited**

U.S. PATENT DOCUMENTS

D413,401 S	*	8/1999	McDonald et al.	D26/49
D429,014 S	*	8/2000	Stephens	D26/49
D449,704 S	*	10/2001	Zhong	D26/49

* cited by examiner

Primary Examiner—Marcus A. Jackson

(74) *Attorney, Agent, or Firm*—King & Spalding LLP

(57) **CLAIM**

The ornamental design for a lighting fixture, as shown and described.

DESCRIPTION

FIG. 1 is a worm's eye perspective view of a first embodiment of my new design for a lighting fixture with phantom lines representing radial ribs shown throughout the FIGS. 1 through 4 which form no part of the claimed design;

FIG. 2 is a side elevation view of the fixture of FIG. 1;

FIG. 3 is a bottom plan, or front view, of the fixture of FIG. 1;

FIG. 4 is a top plan, or back view, of the fixture of FIG. 1;

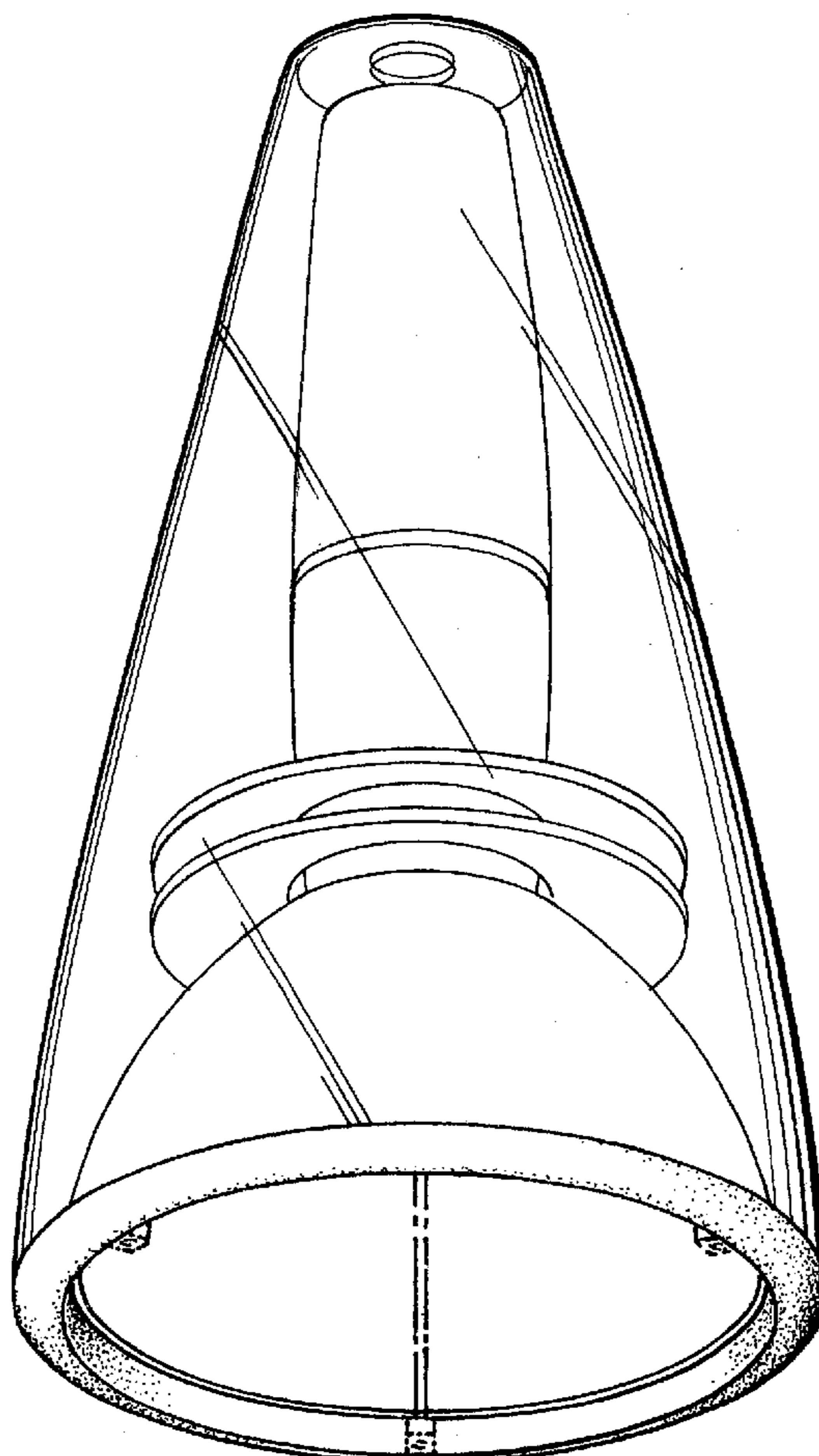
FIG. 5 is a worm's eye perspective view of an alternate embodiment of my new design for a lighting fixture, similar to FIG. 1, wherein all elements are claimed;

FIG. 6 is a half section, half elevation view taken substantially along lines 6-6 in FIG. 5, wherein the left side is in section to define the visible interior elements, and the right side is an elevation;

FIG. 7 is a top plan, or front view, of the fixture of FIG. 5; and,

FIG. 8 is a top plan, or rear view, of the fixture of FIG. 5.

1 Claim, 2 Drawing Sheets



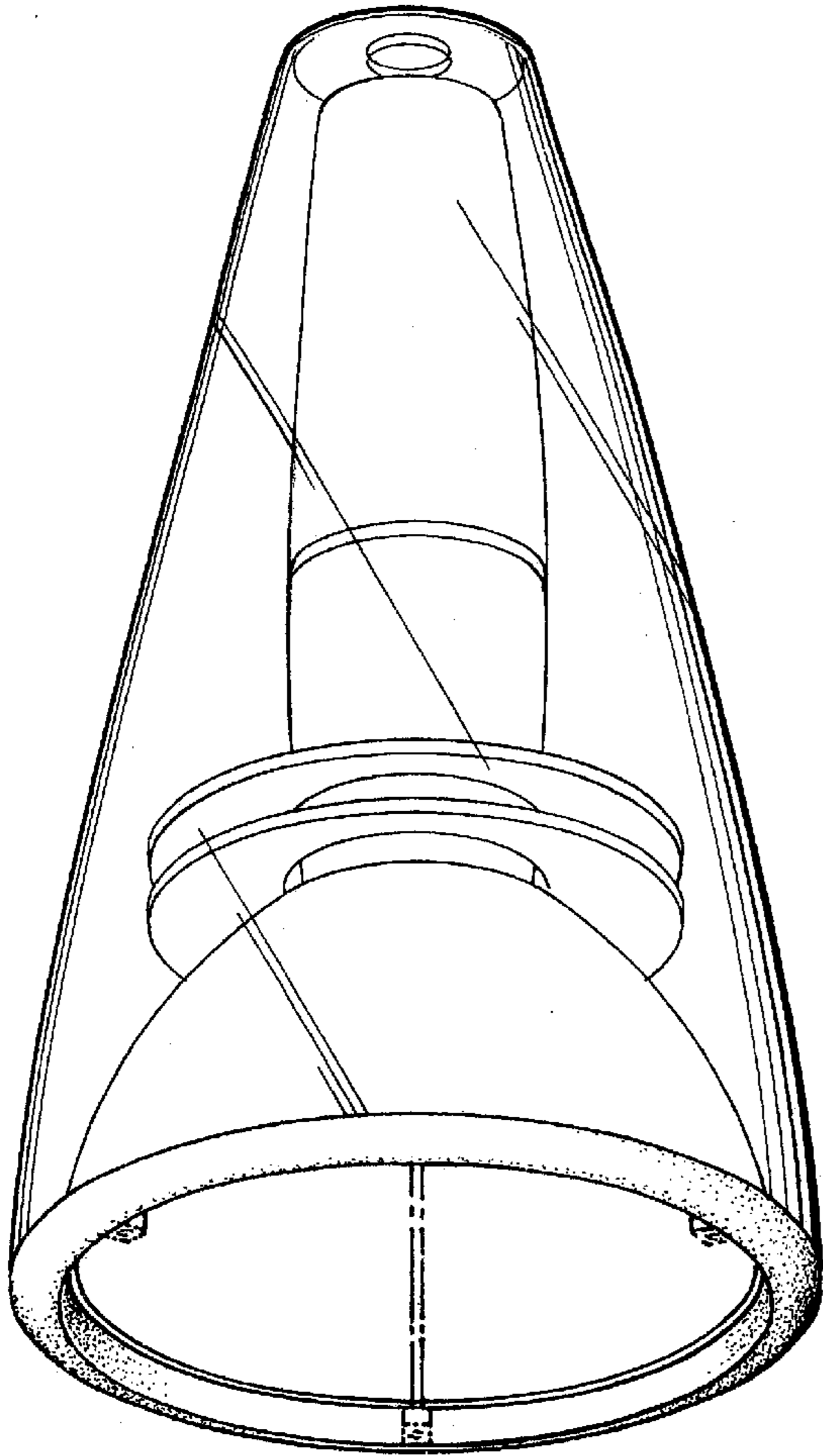


FIG 1

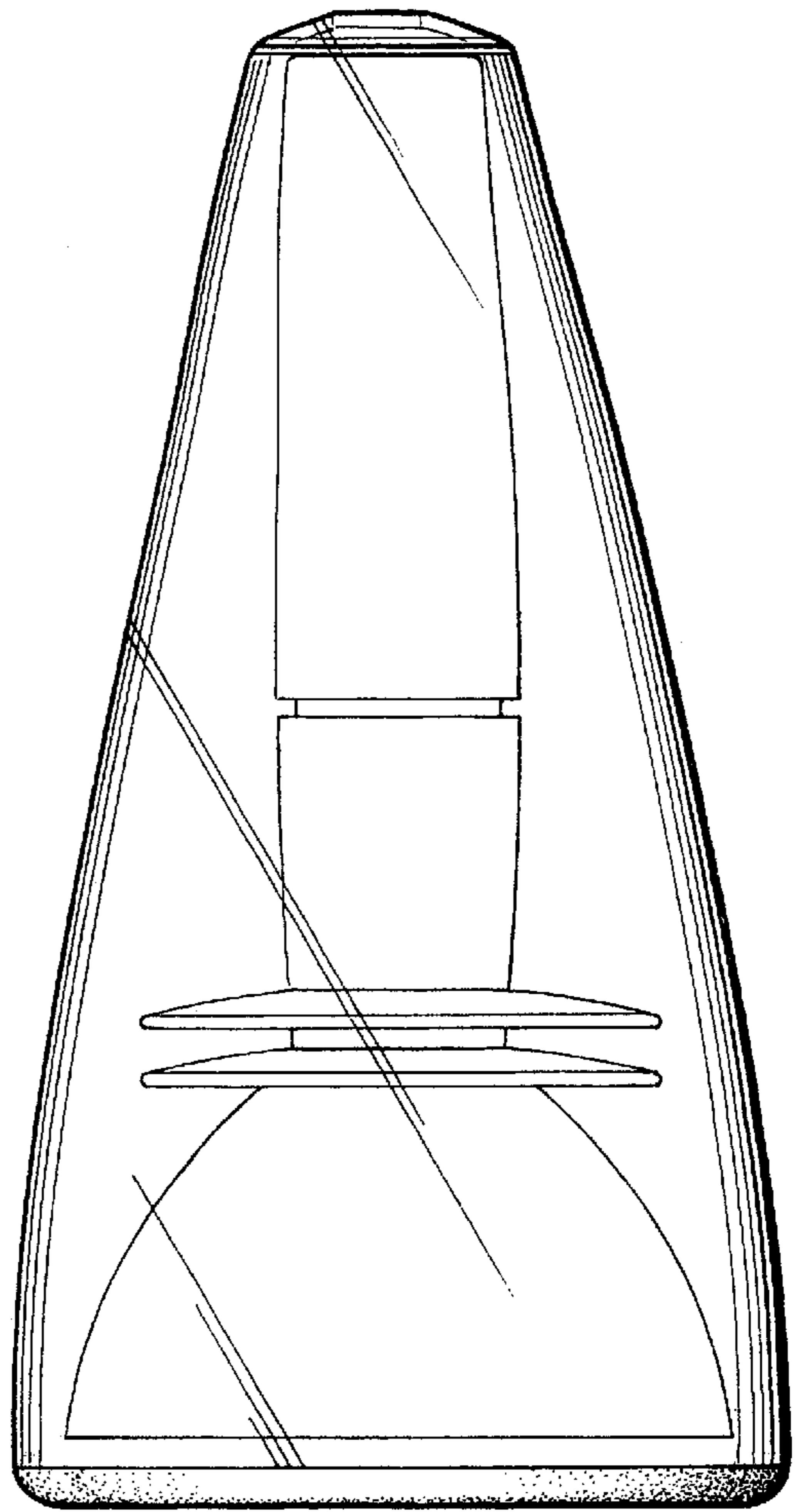


FIG 2

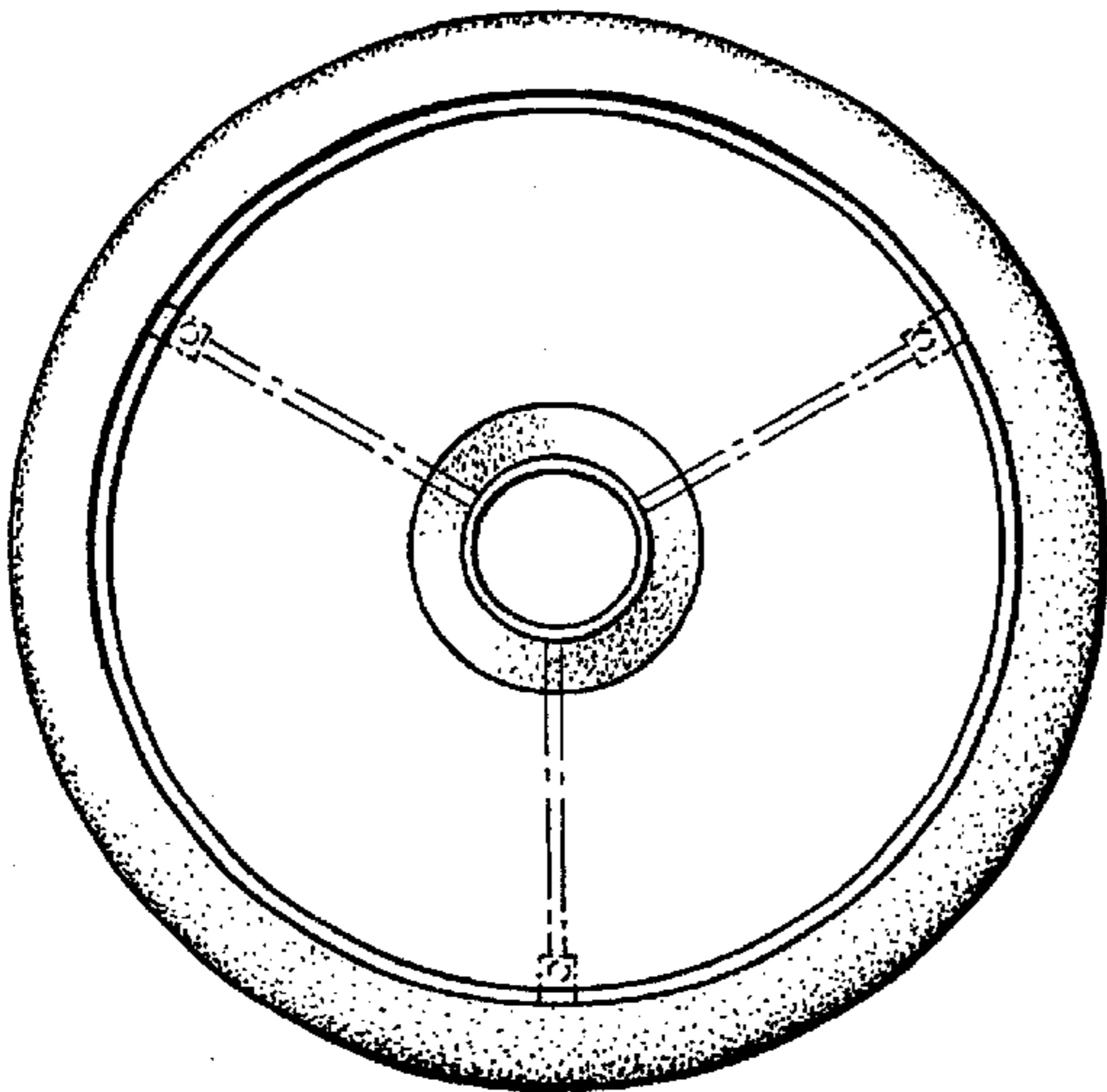


FIG 3

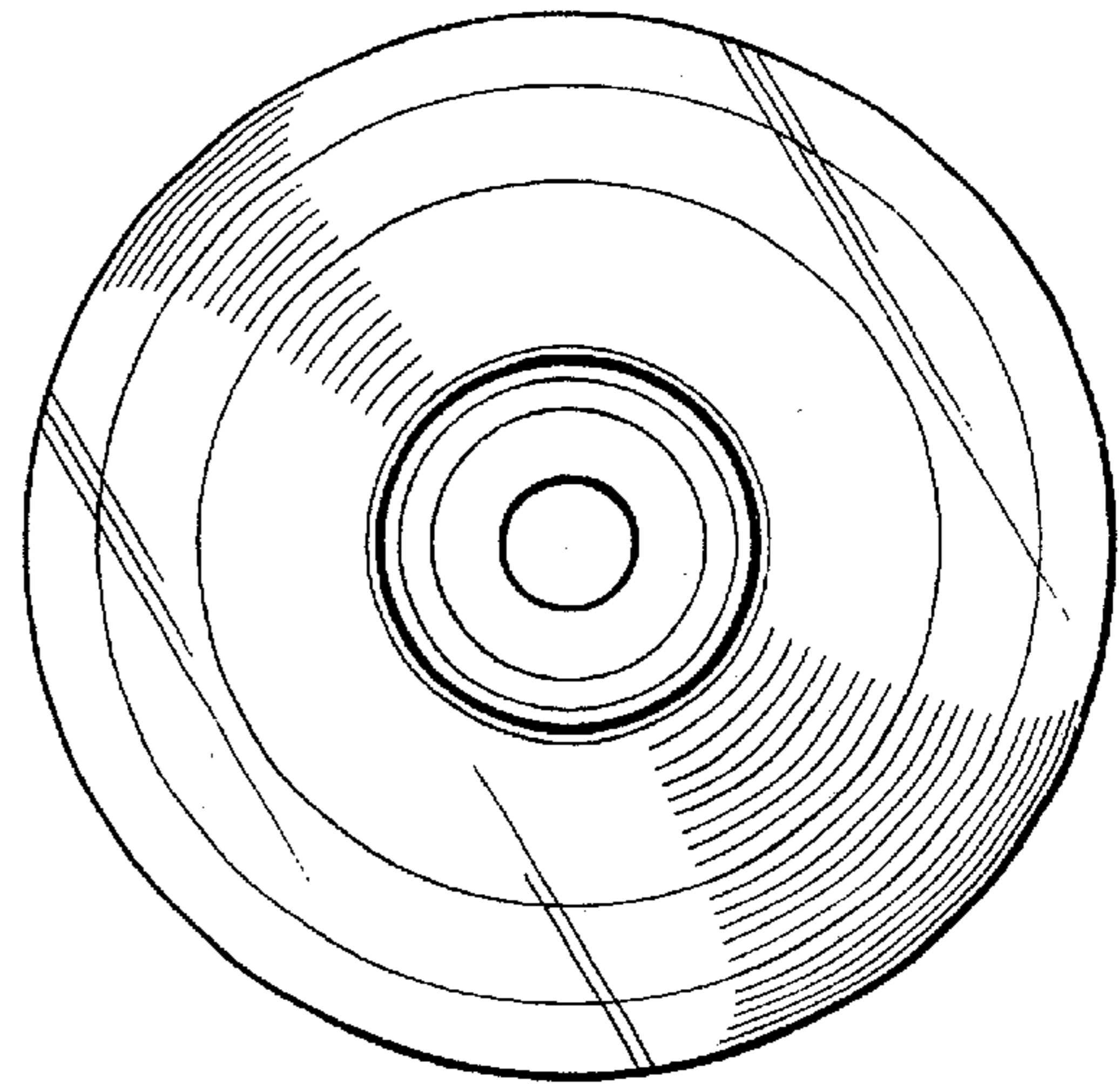


FIG 4

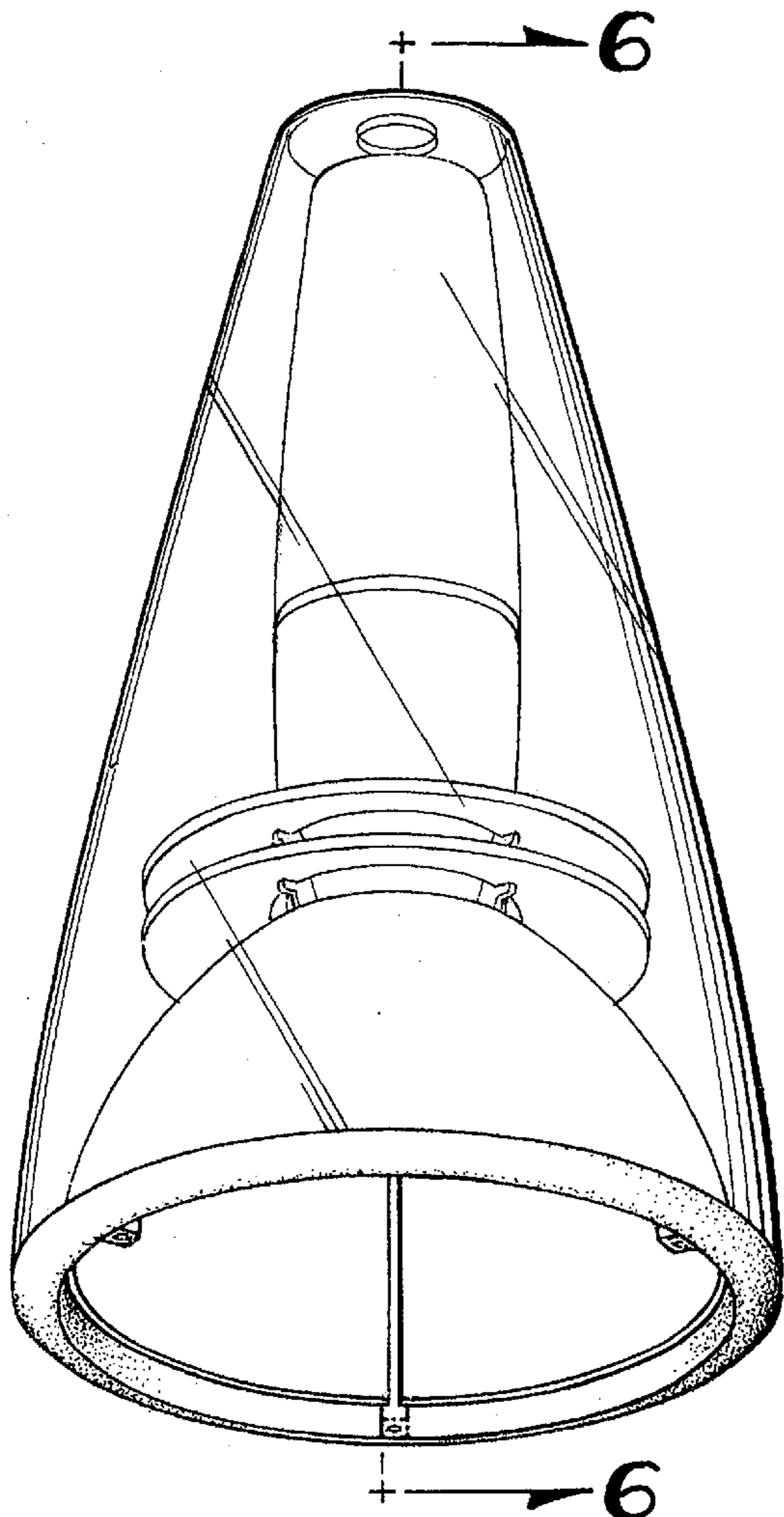


FIG 5

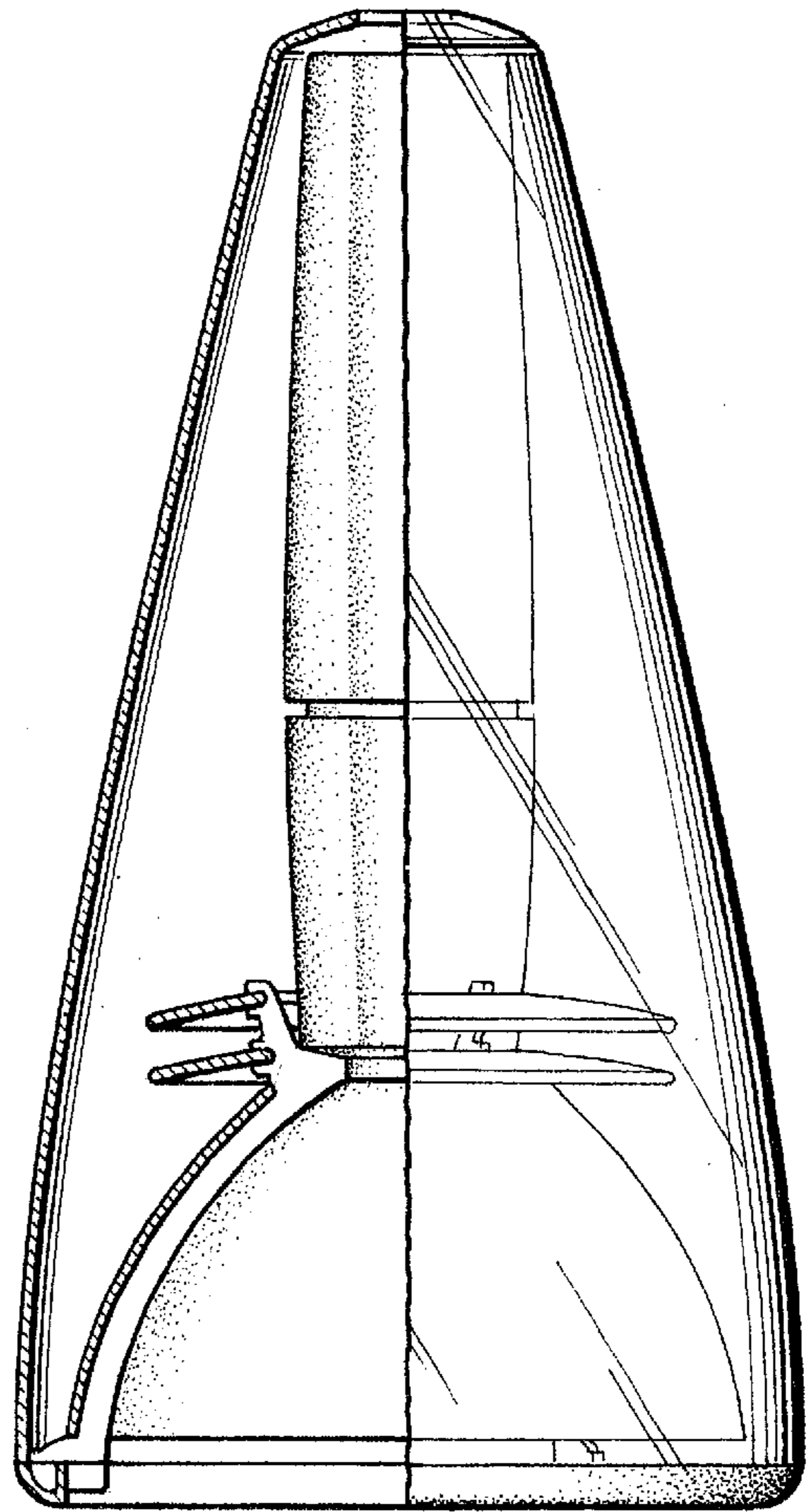


FIG 6

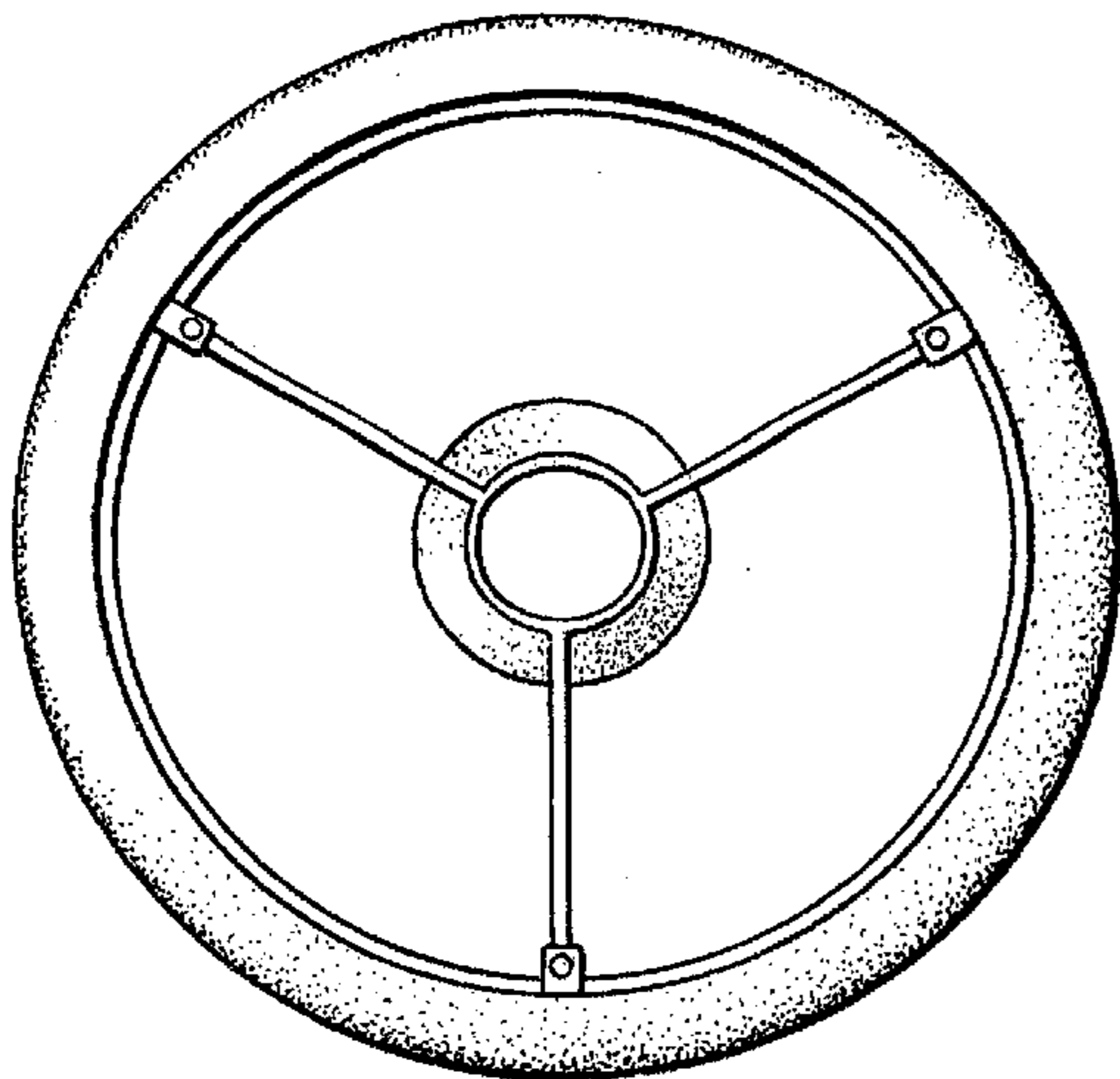


FIG 7

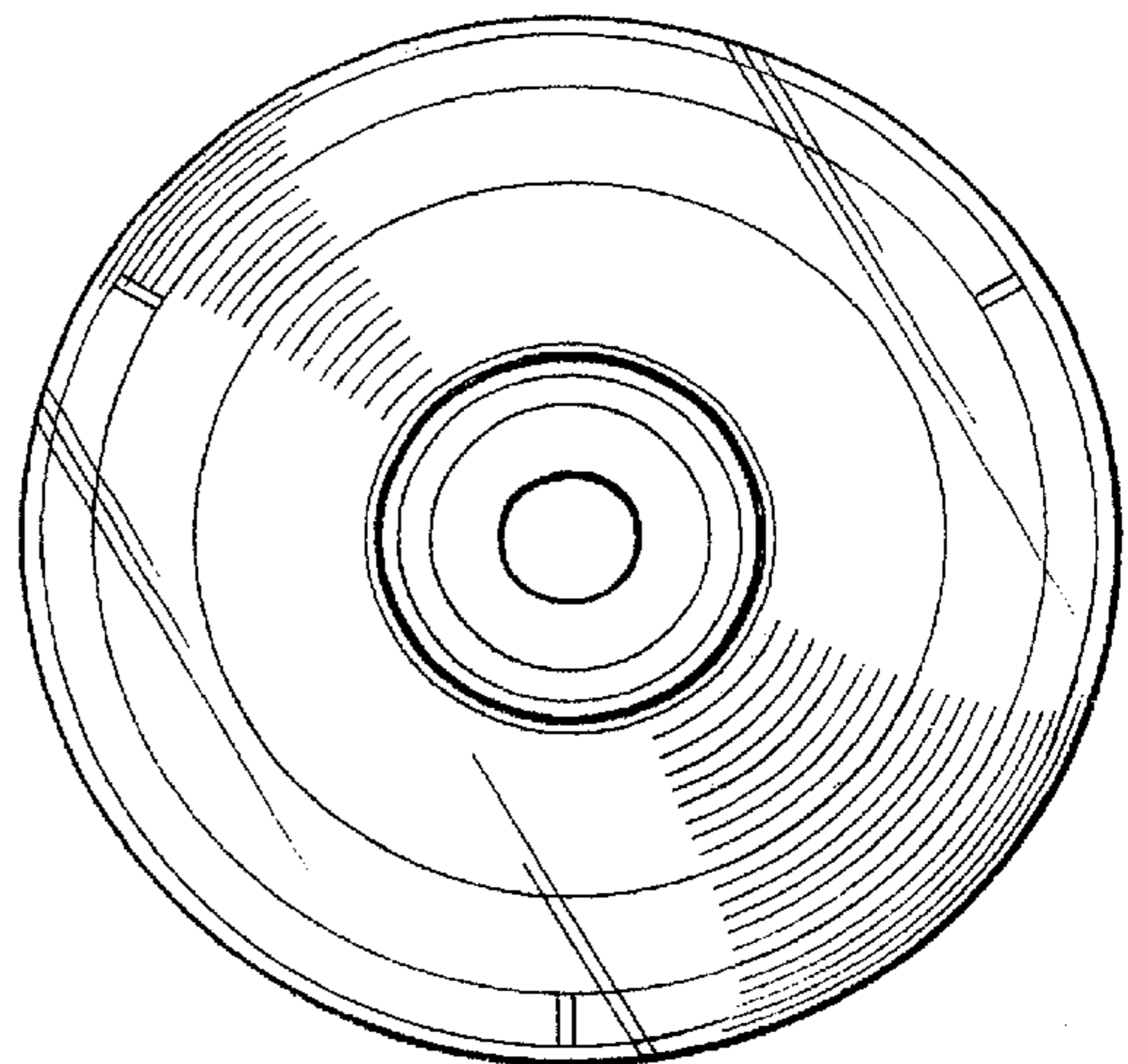


FIG 8