



US00D479351S

(12) **United States Design Patent**  
**Ashfield**

(10) **Patent No.:** **US D479,351 S**

(45) **Date of Patent:** **\*\* Sep. 2, 2003**

(54) **FLASHLIGHT**

(75) **Inventor:** **Lea Antony Ashfield, Yuen Long (HK)**

(73) **Assignee:** **One World Technologies Limited,**  
**Hamilton (BM)**

(\*\*) **Term:** **14 Years**

(21) **Appl. No.:** **29/170,973**

(22) **Filed:** **Nov. 14, 2002**

(51) **LOC (7) Cl.** ..... **26-02**

(52) **U.S. Cl.** ..... **D26/44**

(58) **Field of Search** ..... **D26/37-50; 362/157,**  
**362/158, 171, 172, 173, 183-208**

(56) **References Cited**

**U.S. PATENT DOCUMENTS**

D390,985 S	2/1998	Shiau	.....	D26/43
D392,759 S	3/1998	Howard et al.	.....	D26/44
D405,552 S	* 2/1999	Howard et al.	.....	D26/44
D422,730 S	4/2000	Byler et al.	.....	D26/44
D428,175 S	7/2000	Lynch et al.	.....	D26/44
D444,363 S	7/2001	Hayakawa et al.	.....	D8/61

D447,924 S	9/2001	Neitzell et al.	.....	D8/64
D467,375 S	* 12/2002	Lynch et al.	.....	D26/44
D469,200 S	* 1/2003	Jong	.....	26/44

\* cited by examiner

*Primary Examiner*—Marcus A. Jackson

(74) *Attorney, Agent, or Firm*—Andrew Y. Pang; Nexsen Pruet Jacobs & Pollard, LLC

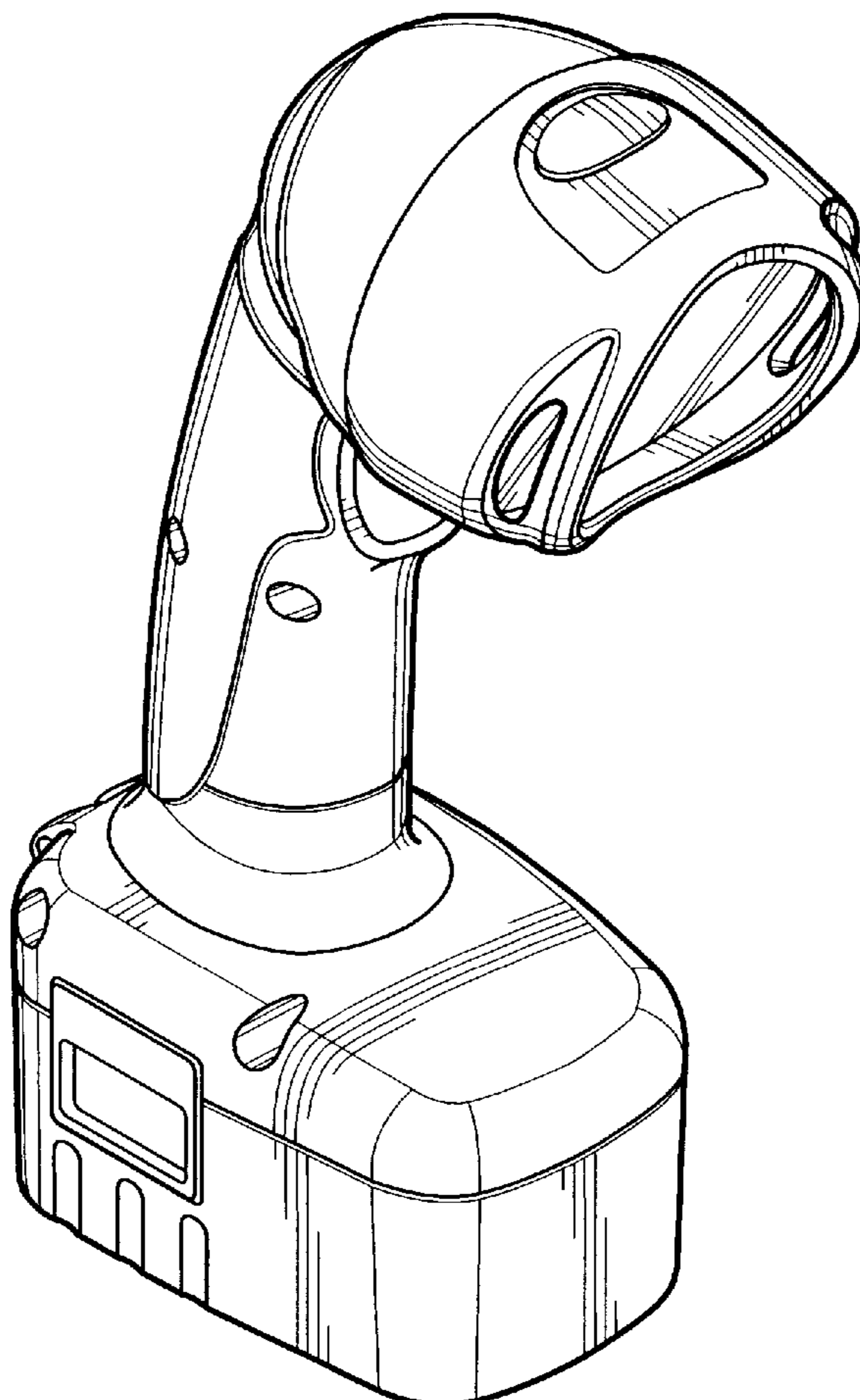
(57) **CLAIM**

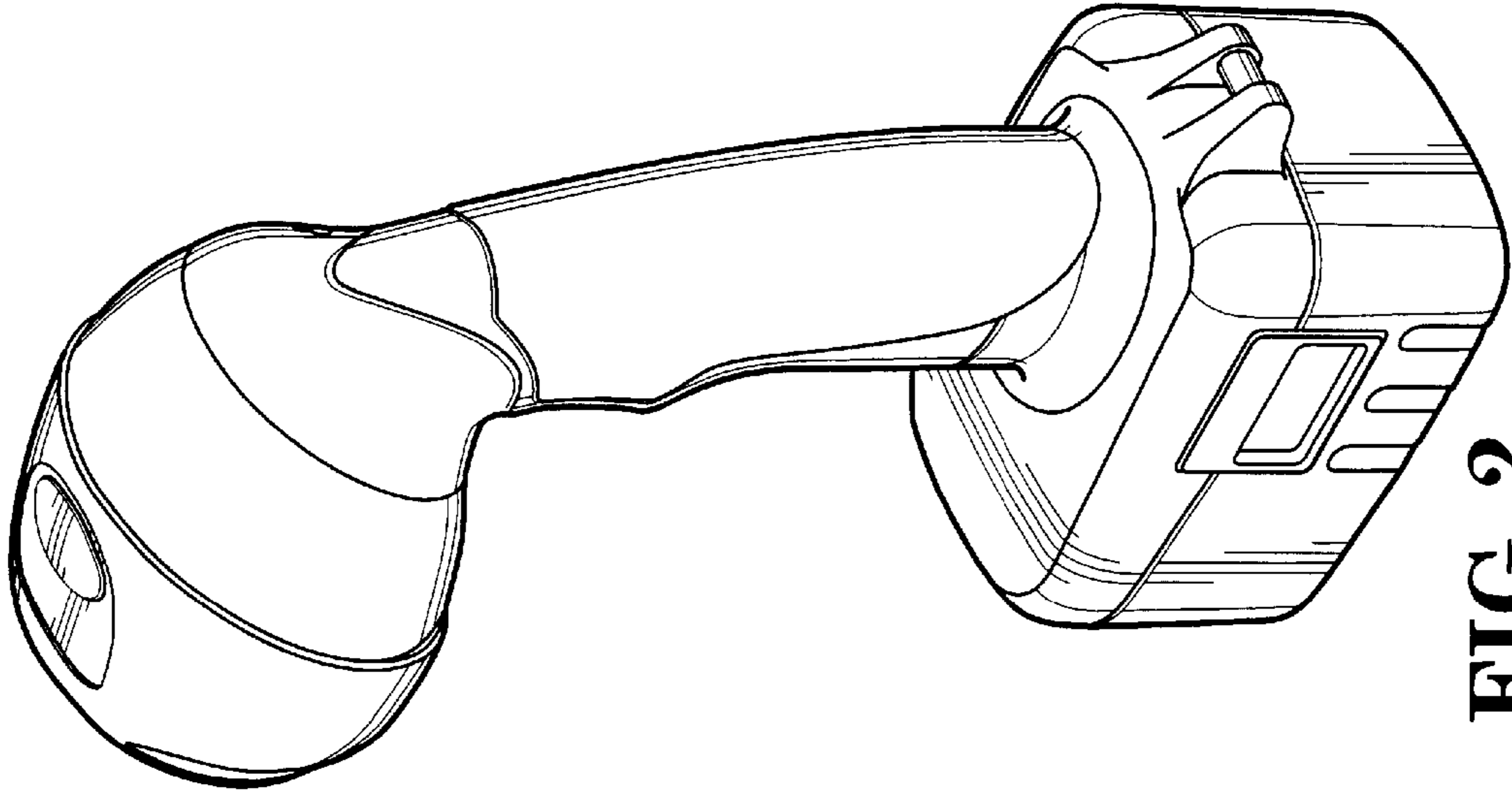
The ornamental design for a flashlight, as shown and described.

**DESCRIPTION**

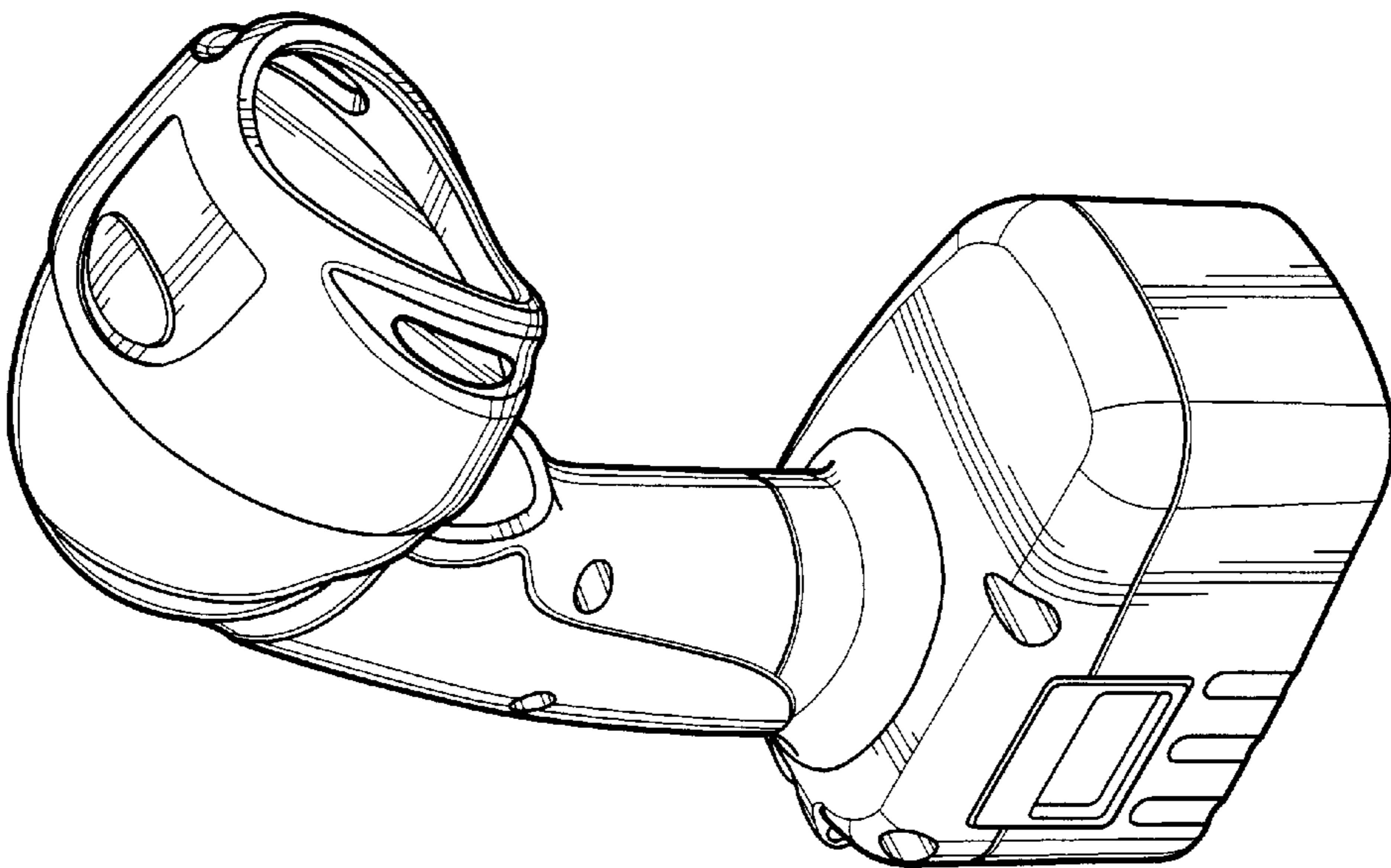
FIG. 1 is a front perspective view of the flashlight of the present invention;  
FIG. 2 is a rear perspective view thereof;  
FIG. 3 is a left side elevational view thereof;  
FIG. 4 is a right side elevational view thereof;  
FIG. 5 is a front end view thereof;  
FIG. 6 is a rear end view thereof;  
FIG. 7 is a top view thereof; and,  
FIG. 8 is a bottom view thereof.

**1 Claim, 3 Drawing Sheets**

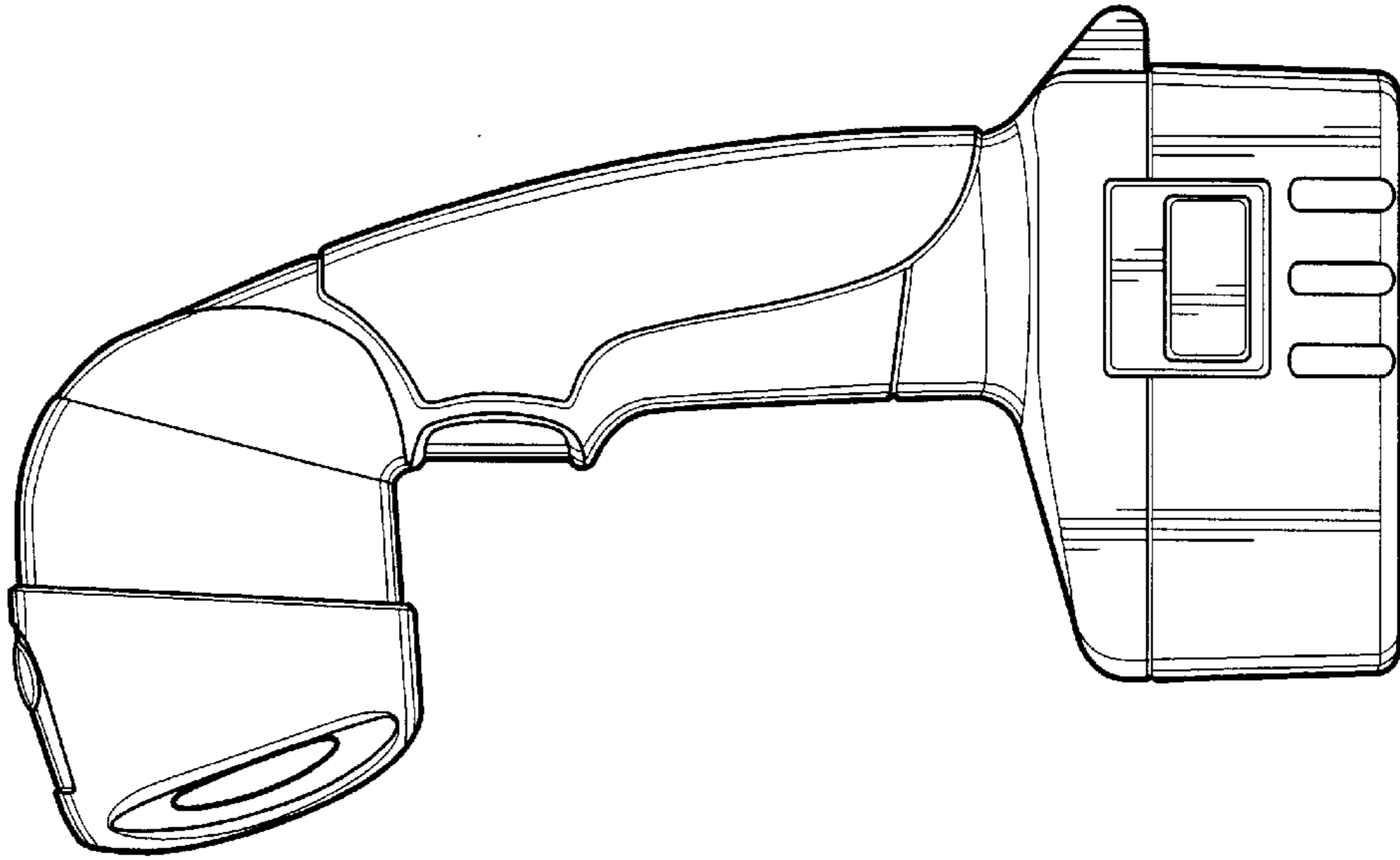




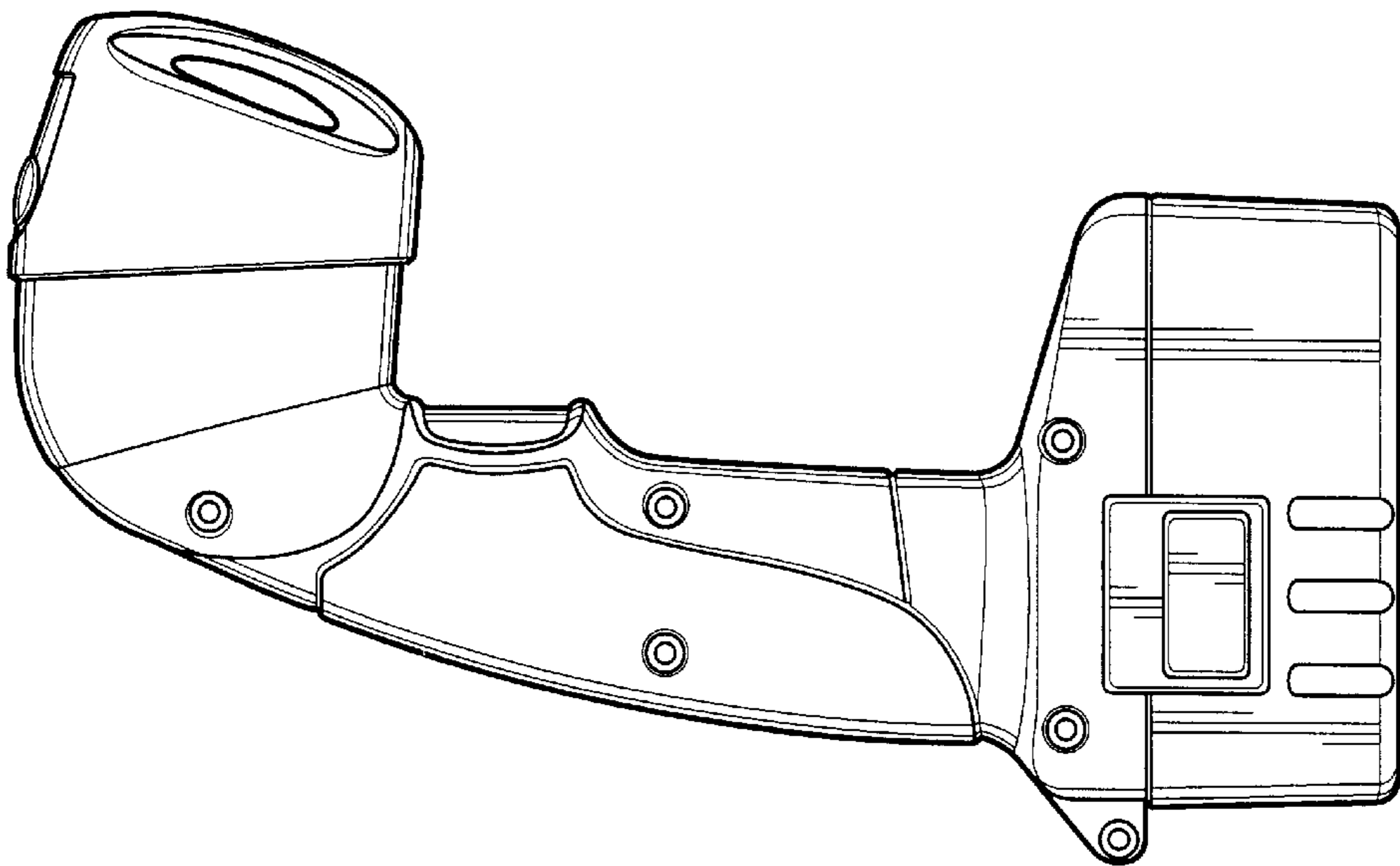
**FIG. 2**



**FIG. 1**



**FIG. 4**



**FIG. 3**

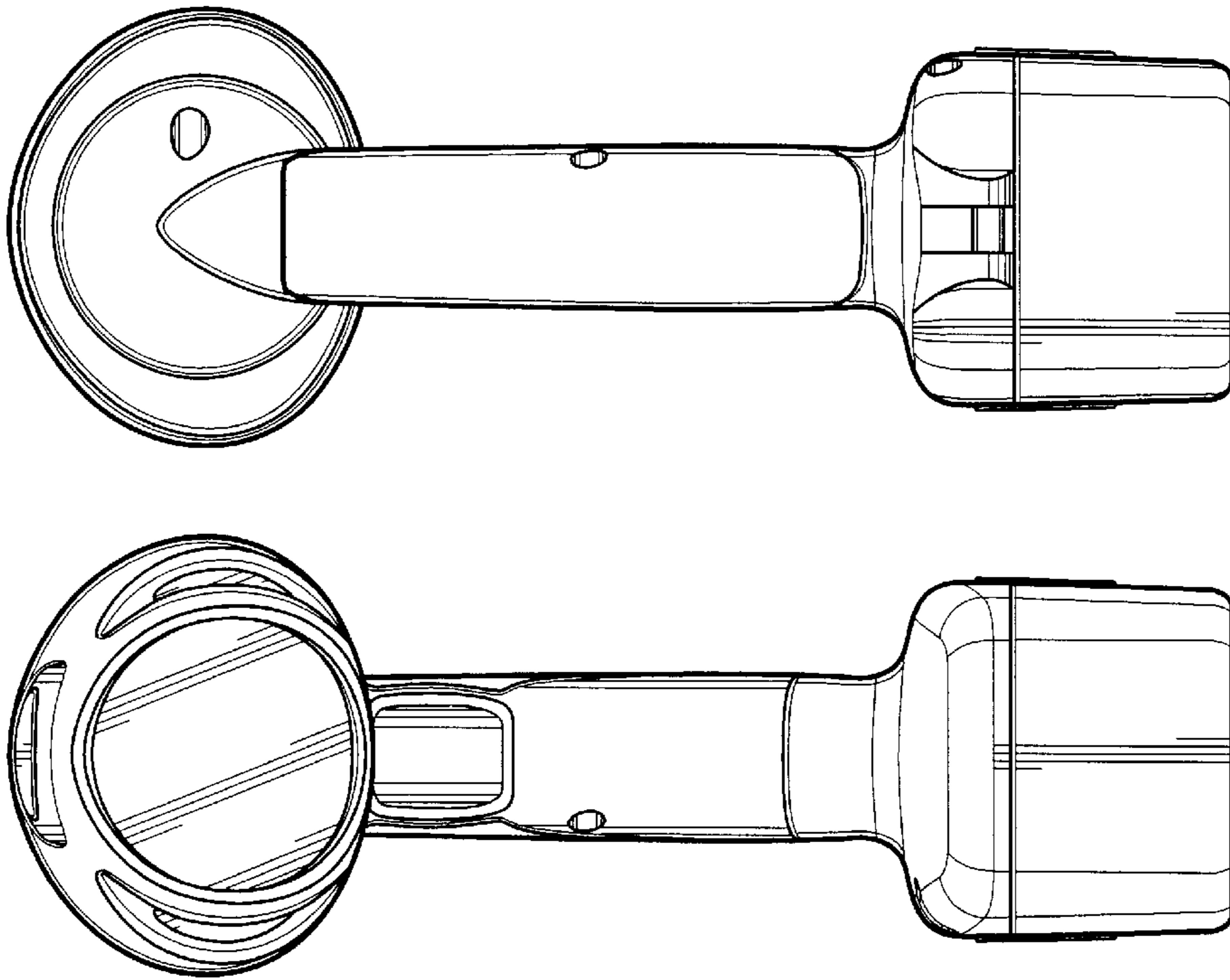


FIG. 5

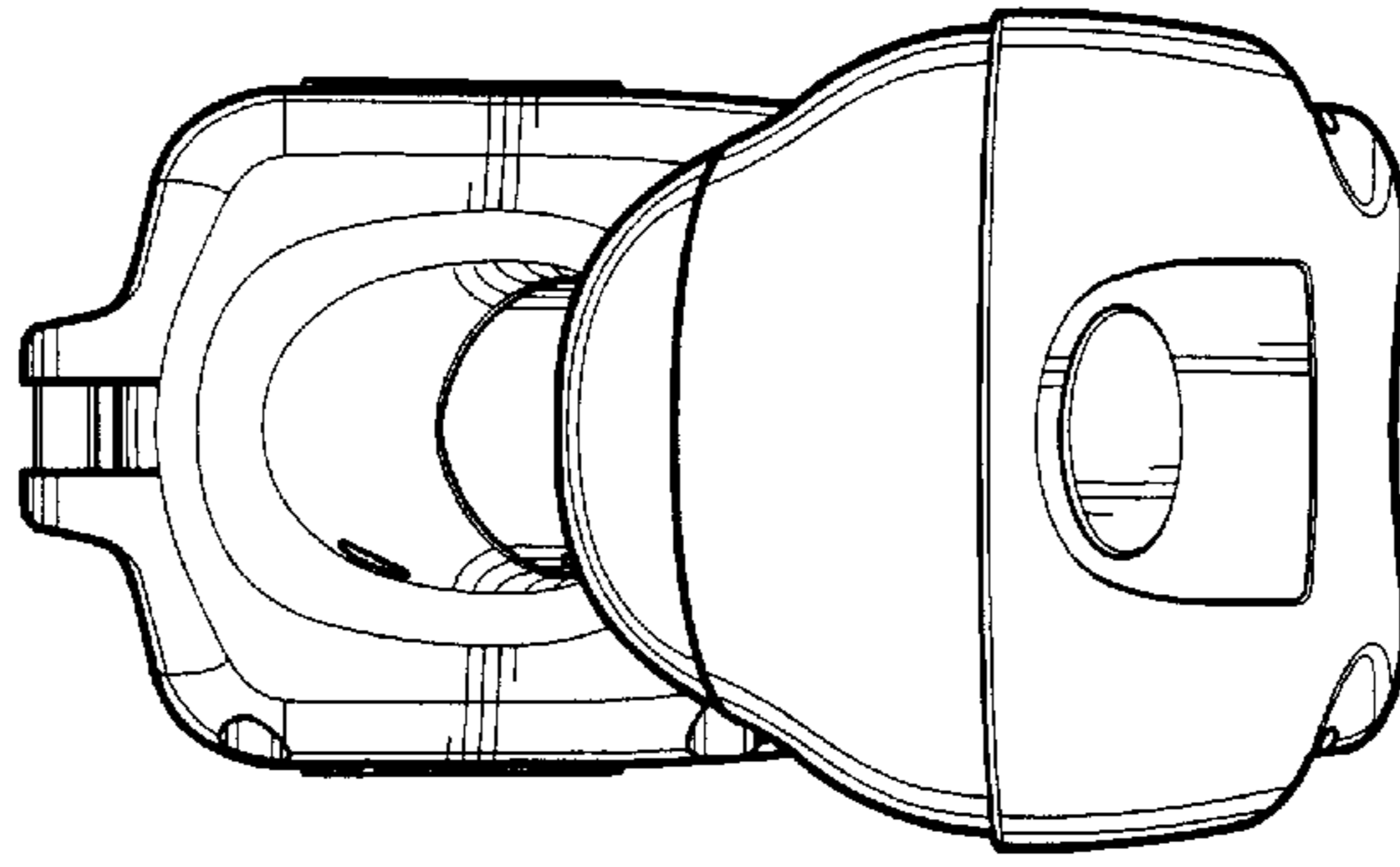


FIG. 7

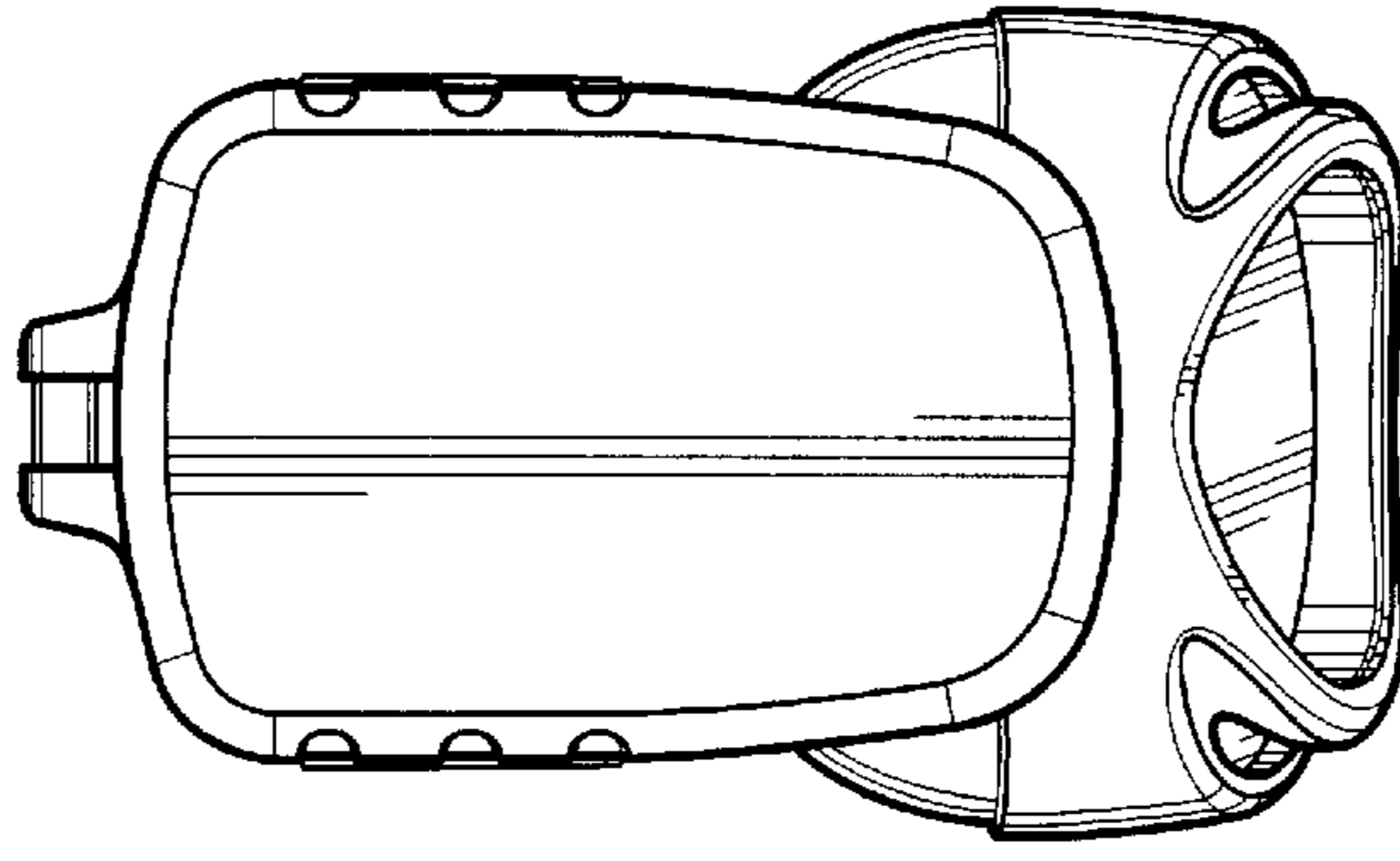


FIG. 8